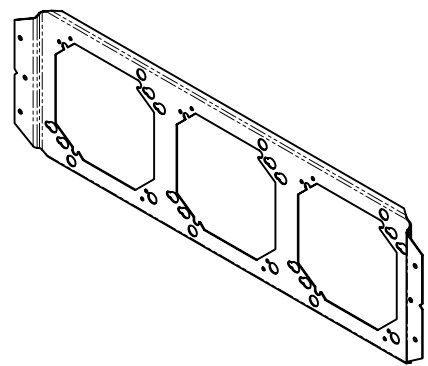
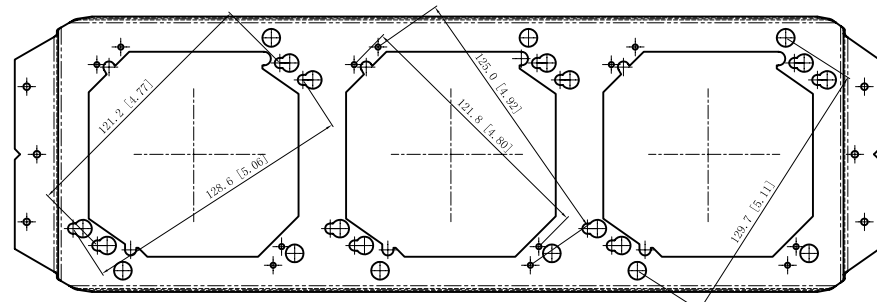
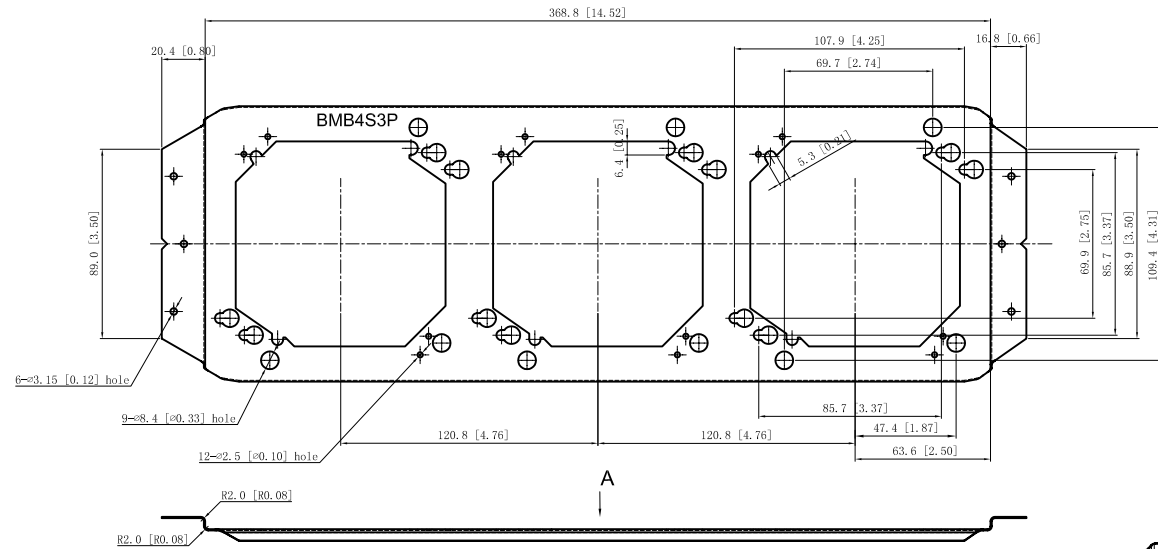
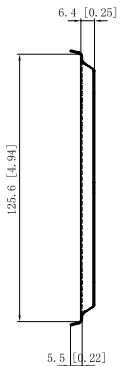


SIDES	BOTTOM
Material: Steel-0.024"-G60 Galvanized	



VIEW A-A

This data sheet is for reference only .GARVIN INDUSTRIES reserves the right to make changes to the design without prior notice.

DESCRIPTION
TRADE REFERENCE TERMS

STANDARD PACKING
25 PCS

<h1>GARVIN INDUSTRIES</h1>		
TITLE UNIVERSAL BOX BRACKET 4 × 4-11/16 ZINC 3GANG		
SIZE A4	DWG NO. BMB4S3P	REV A
DATA SHEET		