

SPECIFICATIONS

DESCRIPTION

- 1 function

FLOW

- 7.6 L/min (2 gpm) (80psi) max / 5.7 L/min (1.5 gpm) (45 psi) min
- 5.7 L/min (1.5 gpm) (80psi) max / 4.2 L/min (1.1gpm) (45 psi) min [488-15]
- 6.8 L/min (1.8 gpm) (80psi) max / 5.1 L/min (1.3 gpm) (45 psi) min [488-WS]

STANDARDS

- ASME A112.18.1 / CSA B125.1

WARRANTY

- Most products or parts carry "Limited Warranties" against manufacturing defects. For US customers please visit houseofrohl.com/support and for Canadian customers please visit houseofrohl.ca/support for complete product and finish warranty.



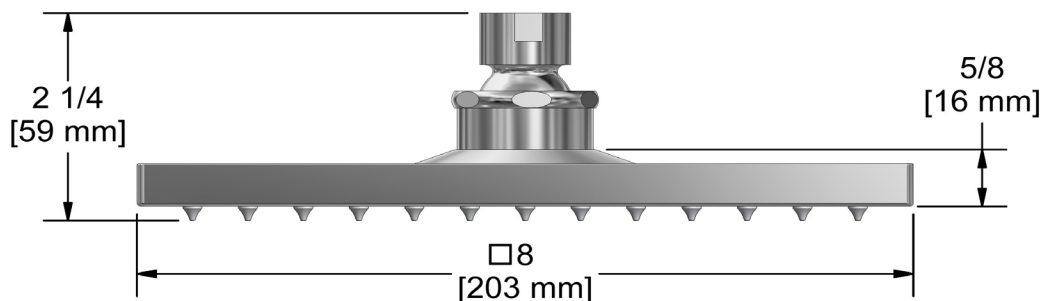
8" Rain Showerhead

MODELS: 488



UPC®

Certified by IAPMO R&T



For warranty or additional information, contact:

US Customers

U.S.A.
houseofrohl.com/support
1-800-777-9762

Canadian Customers

QUEBEC / MARITIMES / WESTERN CANADA
QUÉBEC / MARITIMES / OUEST CANADIEN
QUEBEC / MARITIMOS / CANADA OCCIDENTAL
houseofrohl.ca/support
1-866-473-8442

ONTARIO
houseofrohl.ca/support
1-800-287-5354

Riobel

PERRIN & ROWE
LONDON



victoria ⊕ albert®

ROHL

SPÉCIFICATIONS

DESCRIPTION

- 1 fonction

DÉBITS DISPONIBLES

- 7.6 L/min (2 gpm) (80psi) max / 5.7 L/min (1.5 gpm) (45 psi) min
- 5.7 L/min (1.5 gpm) (80psi) max / 4.2 L/min (1.1gpm) (45 psi) min (488-15)
- 6.8 L/min (1.8 gpm) (80psi) max / 5.1 L/min (1.3 gpm) (45 psi) min (488-WS)

CERTIFICATIONS

- ASME A112.18.1 / CSA B125.1

GARANTIE

- La plupart des produits ou pièces comprend des «garanties limitées» contre les défauts de fabrication. Pour les clients des États-Unis: veuillez consulter houseofrohl.com/support; Pour les clients du Canada : veuillez consulter houseofrohl.ca/support pour connaître les conditions complètes de la garantie des produits et finis.



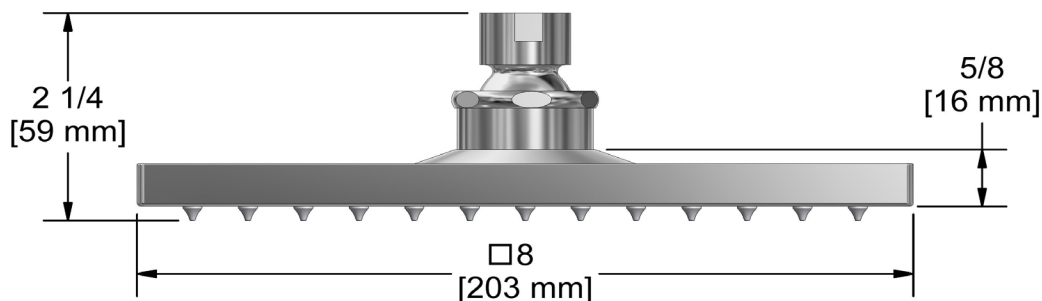
Tête de douche 20 cm (8")

MODÈLES : 488



UPC®

Certified by IAPMO R&T



For warranty or additional information, contact:

US Customers

U.S.A.
houseofrohl.com/support
1-800-777-9762

QUEBEC / MARITIMES / WESTERN CANADA
QUÉBEC / MARITIMES / OUEST CANADIEN
QUEBEC / MARITIMOS / CANADA OCCIDENTAL
houseofrohl.ca/support
1-866-473-8442

Canadian Customers

ONTARIO
houseofrohl.ca/support
1-800-287-5354

Riobel

PERRIN & ROWE
LONDON



victoria ⊕ albert®

ROHL

ESPECIFICACIONES

DESCRIPCIÓN

- 1 funcione

FLUJO

- 7.6 L/min (2 gpm) (80psi) max / 5.7 L/min (1.5 gpm) (45 psi) min
- 5.7 L/min (1.5 gpm) (80psi) max / 4.2 L/min (1.1gpm) (45 psi) min (488-15)
- 6.8 L/min (1.8 gpm) (80psi) max / 5.1 L/min (1.3 gpm) (45 psi) min (488-WS)

ESTÁNDARES

- ASME A112.18.1 / CSA B125.1

GARANTÍA

- La mayoría de los productos o piezas cuentan con "Garantías Limitadas" por defectos de fabricación. A los clientes en EE. UU. se les recomienda visitar houseofrohl.com/support y a los clientes en Canadá, houseofrohl.ca/support, para consultar las condiciones completas de la garantía de los productos y acabados.

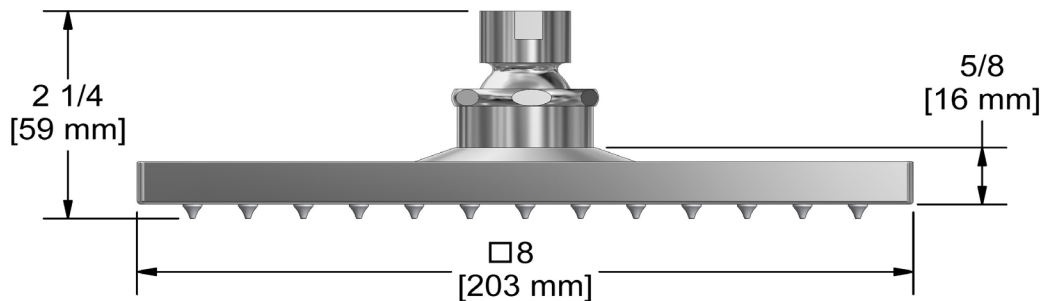


Rociador tipo lluvia de 8 pulgadas

MODELOS: 488



Certified by IAPMO R&T



For warranty or additional information, contact:

US Customers

U.S.A.
houseofrohl.com/support
1-800-777-9762

QUEBEC / MARITIMES / WESTERN CANADA
QUÉBEC / MARITIMES / OUEST CANADIEN
QUEBEC / MARITIMOS / CANADA OCCIDENTAL
houseofrohl.ca/support
1-866-473-8442

Canadian Customers

ONTARIO
houseofrohl.ca/support
1-800-287-5354