

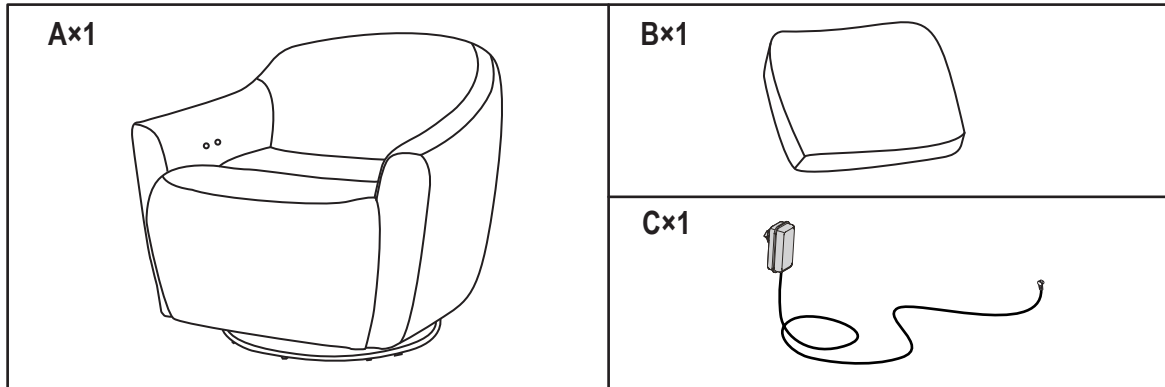
ASSEMBLY INSTRUCTION

ITEM: CC612-PFSW-082 Beau Swivel w/PWR Footrest

CC610-PFSW-040 Bonnie Swivel w/PWR Footrest

Thank you for purchasing this quality product. Be sure to unpack carefully looking for small parts which may have come loose during shipment. Read all instruction and study the drawing carefully before starting the assembly process.

CAUTION: Make sure to read the instructions below before assembling your swivel recliner. We suggest two people be used in the assembly of your swivel recliner.



Step 1

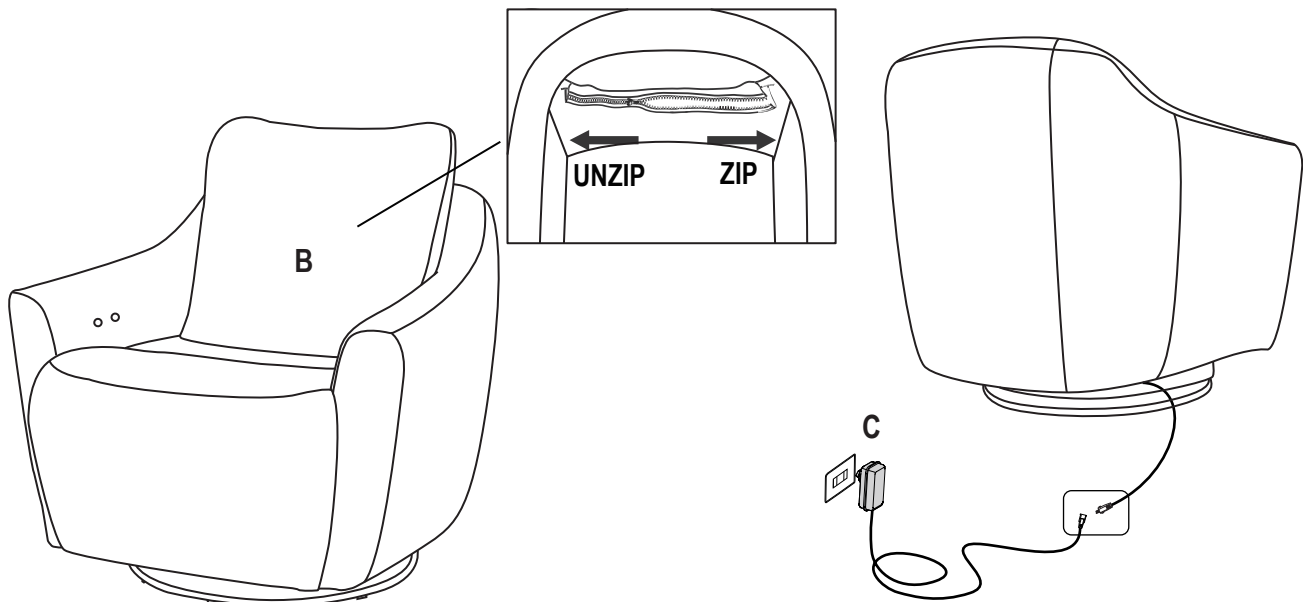
Locate the power transformer attached to Mechanism post. Remove it and set it aside to be used later.

Step 2

Set up the back cushion(B) on the seat , and zip up the seat cushion and back cushion.

Step 3

Attach the power cord to the outlet found at the bottom rear of the recliner.Plug the transformer into a nearby outlet, still making sure it is clear of the metal base.



Do Not plug the power cord into a power outlet until your recliner is fully assembled and in place.

Notes:

- 1) To help prevent shock and or damage to your product only plug the power cord into a grounded outlet.
- 2) Read the operating instructions carefully before operating your lift chair.

IMPORTANT NOTE

- To avoid any risk of suffocation to children or pets, dispose of all plastic bags immediately.
- To ensure proper performance, occasionally check for loose screws and tighten as needed.

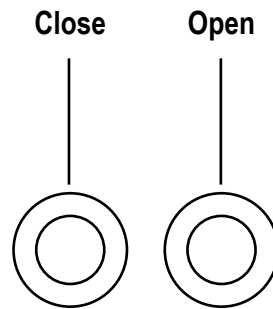
OPERATING INSTRUCTION

ITEM: CC612-PFSW-082 Beau Swivel w/PWR Footrest

CC610-PFSW-040 Bonnie Swivel w/PWR Footrest

Thank you for purchasing this quality product. Be sure to unpack carefully looking for small parts which may have come loose during shipment. Read all instruction and study the drawing carefully before starting the assembly process.

CAUTION: Read the important instructions below before operating your power mechanized equipment
Do not allow children to play on or operate this power mechanized equipment



Care should always be taken to assure there is nothing in the path of the mechanism before and during operation.

To recline: Sit on the furniture, and press the front of the button closest to the footrest to smoothly raise the footrest and recline to any position. To lower the footrest and return to an upright position, press the back side of the button closest to the footrest.

NOTE: This device complies with part 15 of the FCC rules. Operation is subject to the following two conditions: (1) this device may not cause interference, and (2) this device must accept any interference, including interference that may cause undesired operation of the device. Modifications not approved by the party responsible for compliance could void user's authority to operate the equipment.

Customer Service

If you have any questions regarding the use of this unit, or find that your unit needs service, please contact your retailer.