



# Cape Dory®

## 33" undermount single-bowl kitchen sink

### K-5864-5U

#### Features

- 36" minimum base cabinet width
- Single bowl
- 9" (229 mm) depth provides generous workspace
- Oversized holes allow for easy installation of faucets and accessories
- Five oversized faucet holes
- Sink drain with strainer sold separately

#### Material

- KOHLER® enameled cast iron
- Acid-resistant enamel finish

#### Installation

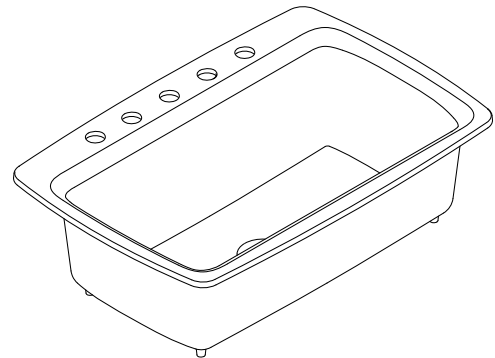
- Undermount

#### Recommended Products/Accessories

- K-6063 Sink Rack
- K-8801 Sink drain and strainer with tailpiece
- K-8799 Sink drain and strainer basket
- K-6637 Cutting Board
- K-23726 Drain treatment
- K-23725 Cast iron cleaner
- 1411886 Undermount sink kit 23"

#### Optional Products/Accessories

- K-11352 Disposal Flange with Stopper
- K-9000 P-Trap



#### Codes/Standards




ASME A112.19.1/CSA B45.2

#### KOHLER® Enameled Cast Iron Kitchen and Bathroom Sink Lifetime Limited Warranty

See website for detailed warranty information.

#### Available Colors/Finishes

*Color tiles intended for reference only.*

| Color   | Code | Description  |
|---|------|--------------|
|  | 0    | White        |
|  | 96   | Biscuit      |
|  | 7    | Black Black™ |

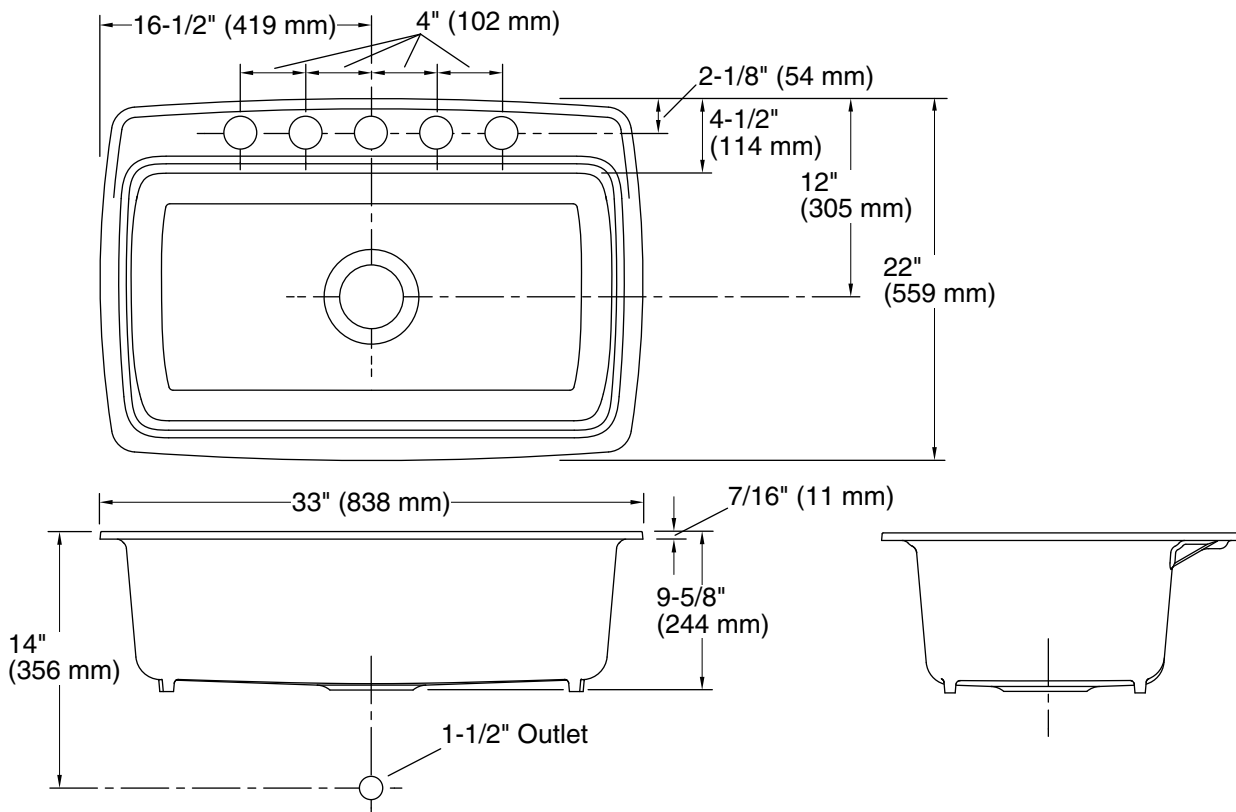
1-800-4KOHLER (1-800-456-4537)

Kohler Co. reserves the right to make revisions without notice to product specifications.

For the most current Specification Sheet, go to [www.kohler.com](http://www.kohler.com) USA or [www.kohler.ca](http://www.kohler.ca) Canada

8-22-2025 22:59 - US/CA

THE BOLD LOOK  
OF **KOHLER**®



## Technical Information

All product dimensions are nominal.

|                          |  |
|--------------------------|--|
| Basin configuration:     | Single Bowl  |
| Center(s):               | 8" (203 mm)  |
| Min. base cabinet width: | 36" (914 mm)   |
| Bowl area (Only):        | Length: 29" (737 mm)<br>Width: 15" (381 mm)<br>Bowl depth: 9" (229 mm) |
| Number of deck holes:    | 5  |
| Faucet hole(s):          | 2-3/8" (60 mm)   |
| Drain hole:              | 3-5/8" (92 mm)   |
| Template:                | Under-mount, 1034873-7, required, included                             |

## Notes

Install this product according to the installation instructions.

Faucet holes in under-mount fixture are oversized at  $\tilde{A}$  2-3/8" (60 mm). Drill faucet holes in counter according to fitting roughing-in.