

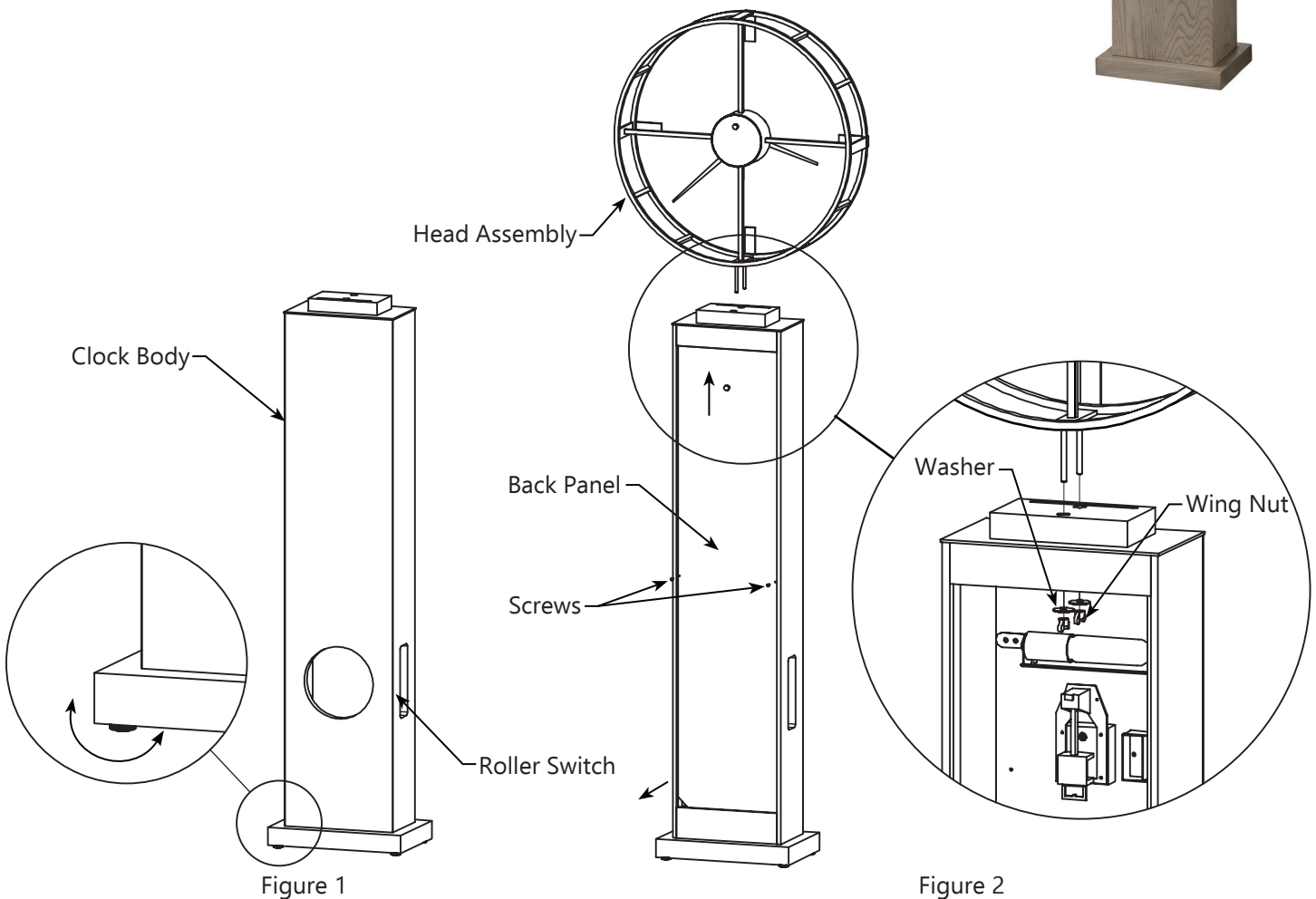
CLOCK SET UP INSTRUCTIONS

1. Move the Clock Body and Head Assembly close to its final location for assembly and set up.
2. Locate the Adjustable Floor Levelers under the Clock Body and adjust the four floor levelers all the way in/up by turning clockwise (Figure 1).
3. Locate and remove (2) Screws from Back Panel and remove the Back Panel from the Clock Body.
4. Remove the two Washers and Wing Nuts from the threaded studs on the Head Assembly.
5. Lift the Head Assembly and place the threaded studs into the top holes of the Clock Body (Figure 2) making sure the fronts line up.
6. Install and tighten the two Washers and Wing Nuts inside the Clock Body (Figure 2).
7. Make sure the clock is positioned firmly on the floor. Adjust levelers (counter-clockwise) as needed to level the clock.
8. Replace the Back Panel and Screws after set up is complete.



WARNING: ENSURE CLOCK IS POSITIONED SQUARE AND FIRM ON THE FLOOR SO THAT IT WILL NOT FALL OVER.

9. This clock is fitted with a lamp to illuminate the dial and pendulum.
 - a. Locate the roller switch inside the Clock Body to turn the lamp on and off (Figure 1 & Figure 3).
 - b. The roller switch is accessible through the cutout in the right side of the Clock Body.



PENDULUM SET-UP

10. Access the clock's Pendulum Driver located in the interior of the Clock Body.
 - a. Release the Pendulum Guide from the Transport-Locking Pin by gently pushing it sideways, allowing the guide to hang freely (Figure 3).
 - b. Hang the Pendulum by the Hook (Figure 4) on the Pendulum Guide. (Figure 3).
 - c. The notch in the Pendulum Hook must align with the plastic nib on the Pendulum Guide so that it is seated properly.
 - d. Install two "C" size alkaline batteries in the pendulum driver Battery Housing. (Figure 5)
 - e. Start the pendulum by moving it to the far left of center and release it to swing.
 - f. Let the clock operate a few minutes until the pendulum settles into an even swinging motion.

WARNING: KEEP PLASTIC BAGS AND SMALL PARTS AWAY FROM CHILDREN.

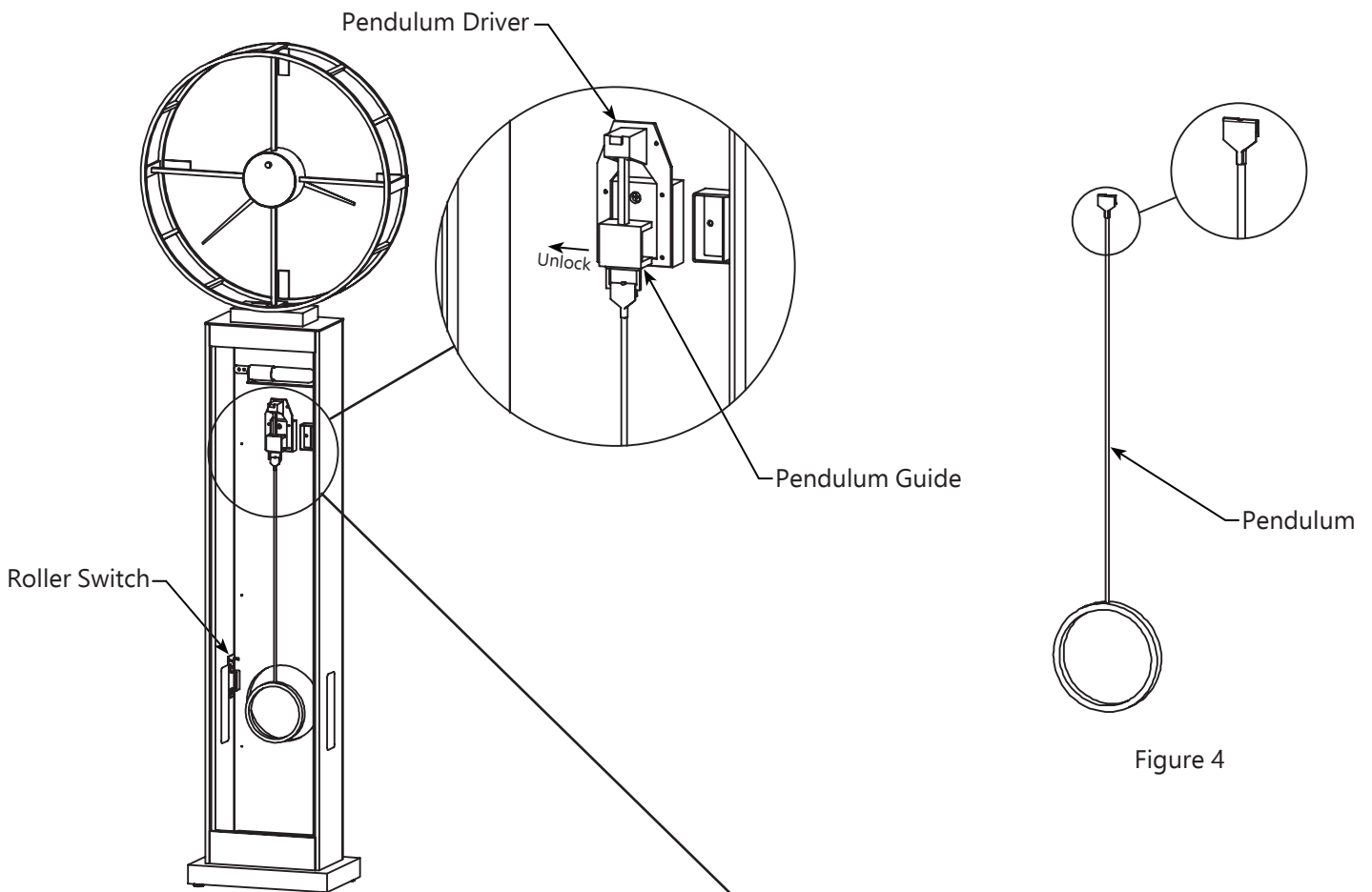


Figure 3

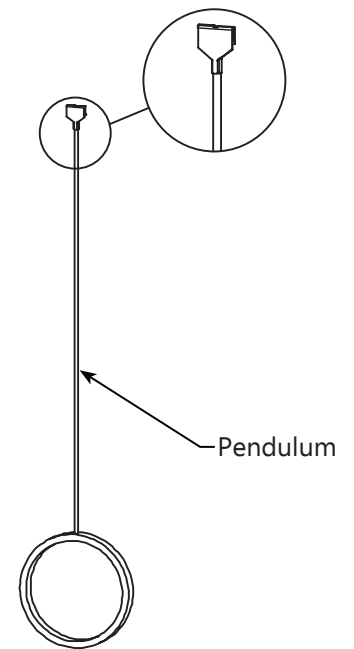


Figure 4

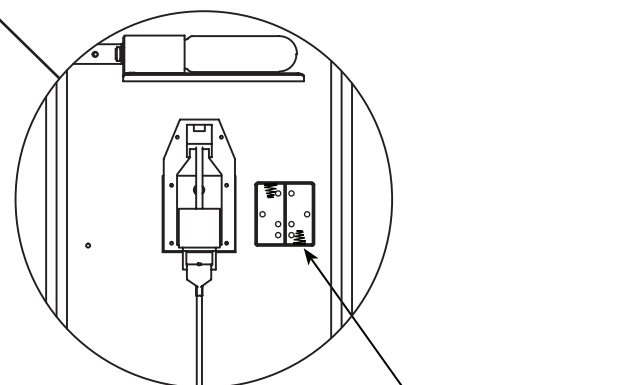


Figure 5

QUARTZ MOVEMENT INSTRUCTIONS

SETTING THE TIME

11. Access the clock's quartz movement through the Back Access Panel (Figure 6).
 - a. Turn the Thumb Screw on the Back Access Panel counter-clockwise and gently pull to release it from the magnetic catches.
 - b. Install one "AA" size alkaline battery according to the +/- symbols in the Battery Holder (Figure 7).
 - c. Set the time by using the Time Setting Dial (Figure 7) to rotate the hands to the correct time.
 - d. Replace the Back Access Panel after set up is complete.

BATTERY REPLACEMENT

If the clock begins to lose time or pendulum does not swing, this is a sign of weak or exhausted batteries. Replace with new alkaline batteries.

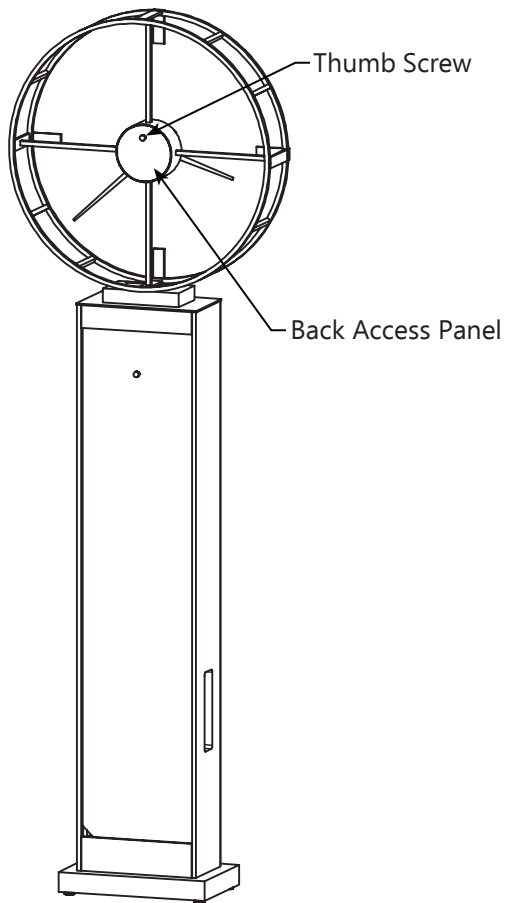


Figure 6

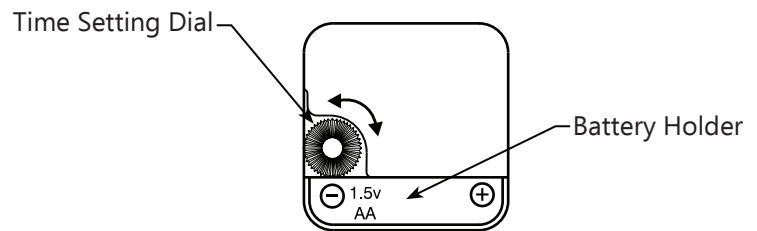


Figure 7

LIMITED WARRANTY

This warranty is our promise and commitment that our products have been manufactured using the finest materials and have been thoroughly inspected prior to being shipped from our facilities.

Floor clocks are warranted to the original consumer or recipient to be free from manufacturing defects in materials and workmanship under normal use, conditions and service from the date of purchase for a period of **2 Years**.

This warranty does not include: damage to product or components resulting from abuse, accident, alteration, or climatic/environmental conditions; damage resulting from normal wear and tear, misuse, or unauthorized repair; natural variations in wood grain or changes in surface finishes due to aging or exposure to light. The company's obligation under this warranty shall be limited to repairing the product or component, or at its option, replacing it with a new product or component.

A copy of the sales receipt or other comparable proof of original purchase is required to obtain warranty service. Some states do not allow the exclusion or limitation of incidental or consequential damages or the limitation on how long an implied warranty lasts so the above limitations or exclusions may not apply to you. This warranty gives you specific legal rights and you may also have other rights which vary from state to state.

Freight Damage

By accepting our product for shipment, the carrier acknowledges that the product is in First Class condition. By signing (or someone else signing on your behalf) to accept the shipment, you acknowledge that the product has been received in the same First Class condition as shipped. If the carton is crushed or otherwise damaged, instruct the driver to note the damage on the freight bill and file a claim immediately with the carrier. For your protection, we suggest that you inspect all merchandise at the time of delivery, before signing the Bill-of-Lading. When you or your representative signs without noting any damage, shortages or exceptions, you accept and own the merchandise, as delivered.

Concealed Freight Damage

Report any damage directly to the carrier immediately. Some carriers require damage to be reported within as little as 2-3 days of the delivery. Should damage be discovered after delivery, you (the consignee) are responsible for filing a written Concealed Damage Claim with the carrier, requesting the carrier to make an inspection and create a damage report. Filing this claim is your responsibility, however, we will help you with the process and act as your advocate in reaching a satisfactory resolution with the carrier.

THE COMPANY DISCLAIMS ANY LIABILITY FOR INCIDENTAL OR CONSEQUENTIAL DAMAGES ARISING OUT OF BREACH OF THIS WARRANTY OR ANY IMPLIED WARRANTY. IMPLIED WARRANTIES ON THIS PRODUCT SHALL BE IN EFFECT ONLY FOR THE DURATION OF THE EXPRESS WARRANTY SET FORTH ABOVE AND THEREAFTER, THERE SHALL BE NO WARRANTIES, EXPRESS OR IMPLIED, (INCLUDING MERCHANTABILITY OR FITNESS FOR ANY PARTICULAR PURPOSE), ON THIS PRODUCT.

SERVICE INFORMATION

In the unlikely event that your product appears to be malfunctioning or requires repair within the warranty period, please contact your retailer or the company who provided the item if it was an award. They will be your first resource for information regarding your warranty and service options.

If your product is more than one year old from the date of purchase or receipt as an award, your product is no longer under the manufacturer's warranty. Support for products that are no longer under warranty is available through the "Help Center" at www.howardmiller.com.

We recommend that you carefully read and follow all instructions provided with your Howard Miller product before pursuing service. These instructions will provide detailed information to answer most questions.

To find additional information regarding your product, to order parts or to find a service center, please go to the "Help Center" located at www.howardmiller.com. The "Help Center" also has links to product manuals, instructions, videos and frequently asked questions.

Before contacting your retailer, award provider or a service center, please have the following information available. The model number and serial number can be found on the Product Information Label which is normally on the back or bottom of the product.

Model Number: _____ Serial Number: _____

Date Purchased: _____ Where Purchased: _____

If the item was shipped directly to you, it is your responsibility to report freight loss or damage to the carrier and your retailer or award provider. If the carton indicates signs of "visible damage", instruct the driver to note the damage on the freight bill. If damage is found after the item has been delivered, notify your retailer or award provider and the carrier immediately. Many carriers require notification within 2 days. Failure to notify the carrier within their required time frame may waive your rights to a damage claim and you may be liable for the damage.

