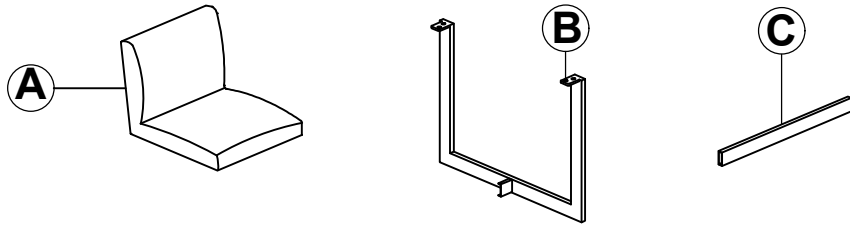


# ELIZA DINING CHAIR ASSEMBLY INSTRUCTIONS



## PARTS PACKING CONFIGURATIONS

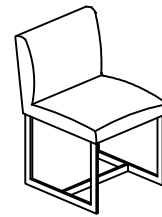
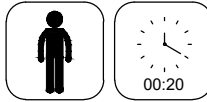
- A. SEAT 1 PC
- B. LEG FRAME 2 PCS
- C. STRETCHER 1 PC



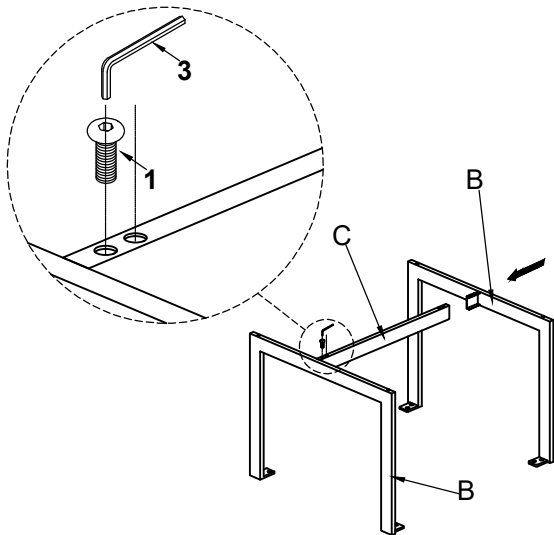
### HARDWARE ENCLOSED IN CARTON

### ELIZA DINING CHAIR FULLY ASSEMBLED

No	Description	Photo	Quantity
1	ALLEN BOLT (1/4"x 5/8")		12 PCS
2	FLAT WASHER (1/4")		8 PCS
3	ALLEN KEY (4MM)		1 PC

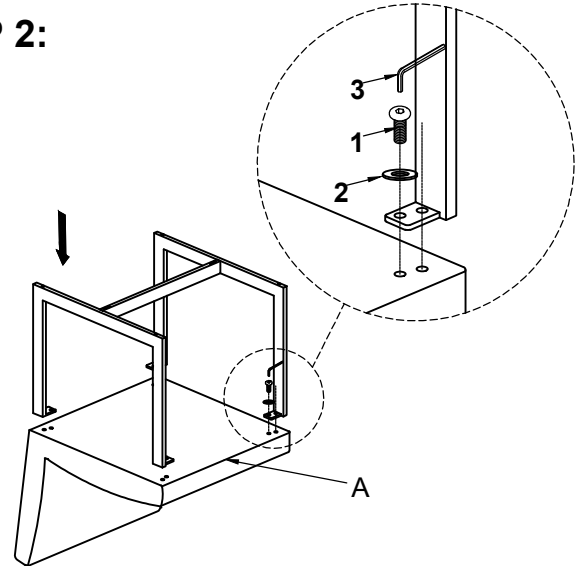


### STEP 1:



DO NOT TIGHTEN BOLTS COMPLETELY

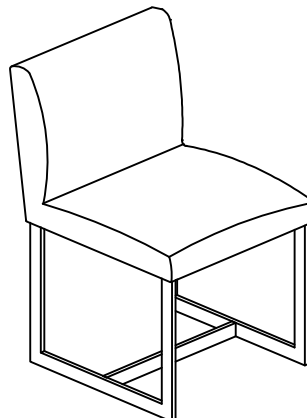
### STEP 2:



DO NOT TIGHTEN BOLTS COMPLETELY

### STEP 3:

ON A FLAT, LEVEL SURFACE PLACE THE CHAIR UPRIGHT. WHEN CHAIR IS LEVELED, PLEASE FULLY TIGHTEN ALL ASSEMBLY BOLTS WITH PROVIDED ALLEN KEY.



FULLY ASSEMBLED