

**BOSS**®  
AUDIO SYSTEMS

 Bluetooth®

**ATV654**

**USER MANUAL**

**BLUETOOTH® | AMPLIFIED ALL-TERRAIN SOUND SYSTEM**

FEATURING FOUR 6.5" MARINE SPEAKERS AND FOUR 1" TWEETERS



1

*Thank you for purchasing this*

**BOSS**<sup>®</sup>  
AUDIO SYSTEMS

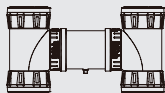
***ATV654 All-Terrain Sound System***

Please read through these instructions carefully so you will know how to operate your model properly.

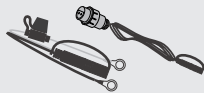
After you have finished reading the instructions, keep this document in a safe place for future reference.

***THIS PACKAGE CONTAINS***

1x All-terrain sound system



1x Power cable with inline fuse + 1x Power extension cable



2x Mounting zip ties + 4x Mounting straps



1x User manual + 1x Warranty card



**IMPORTANT**

Please enter below the Serial No. which is located on the exterior of the product. Retain this information for future reference.

Model \_\_\_\_\_

Serial No. \_\_\_\_\_

Date of Purchase \_\_\_\_\_

Please read and understand all instructions before you use your product. Failure to follow the instructions could result in injury and/or damage that could potentially void the warranty.

### Important Safety Precautions

- **Be sure to observe the following guidelines:**
  - Do not increase speaker volume so high that you cannot hear what is around you.
  - Use caution or temporarily discontinue use in potentially hazardous situations.
- Do not make any adjustment on the product when driving or in other situations where distractions can be hazardous. Responsible and safe driving is your primary responsibility when operating a vehicle.
- Start volume at a low setting then gradually increase the volume until you can hear it comfortably, without sound distortion and ear discomfort.
- In the event of smoke, strange noise or odor emitted from the product or any other abnormal operational signs appearing on the product, disconnect the product from the power supply. Discontinue use and contact your dealer or our technical support. Using the product in this condition may result in permanent damage to the system.
- Servicing must only be carried out by a technician. Contact our technical support for any service questions.

### Installation Precautions

- **WARNING: Always consult a professional installer.**
- Installation must be performed by a professional. Contact our technical support for any installation questions.
- Observe the safety and operating instructions of the devices which are connected to the product.
- Only use the attachments/accessories specified by the manufacturer for installation.
- Do not modify this product, as this affects the safety of the product and creates a risk of injury.
- Before installation, disconnect the negative terminal of the vehicle battery to prevent damage to the product, fire, and/or possible injury.

### Care for Your Product

- **DO NOT** clean the product in hot weather (e.g. hot sunlight).
- **DO NOT** use abrasive or highly alkaline cleaner on the product.
- **DO NOT** use gasoline, acetone, carbon tetrachloride or other aggressive chemical solutions on the product.
- **DO NOT** scrape the product with razor blade or other sharp instrument.
- This product is water resistant. However, never submerge the product in water.
- Wash the product with lukewarm water and mild soap or detergent, using a clean sponge or soft cloth. Rinse well with clean water.

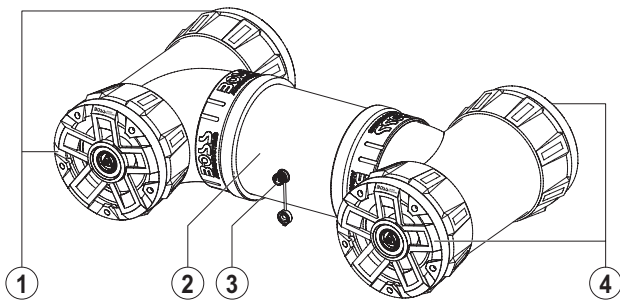
## Introduction

The product is a Bluetooth speaker system which is ideal for installation in a ATV (All Terrain Vehicle) or UTV (Utility Vehicle). The product has four 6.5" woofers and four 1" tweeters. You can stream audio from a mobile phone to this product via Bluetooth.

This product is shockproof and water resistant. This product is operated with 12 VDC vehicle power supply. Never connect this product to any other voltage supply (e.g. 24 VDC).

Please read this manual carefully so you will know how to operate your product properly. After you have finished reading this manual, store it in a safe place for future reference.

## Product Overview



1 Speakers

2 Marinated casing

3 12V power port

4 Speakers

## Mounting on ATV or UTV



Always consult with an expert when in doubt about the installation.

Use only the supplied accessory for mounting. Using other mounting methods may void the warranty.

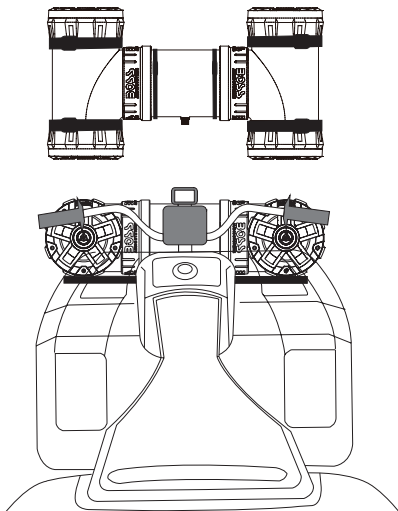
To ensure safety of the mounted sound system, always check the mounting conditions (e.g. mounting straps) of the sound system before each vehicle ride.

1. Using the supplied mounting straps and zip ties, secure the sound system on the rack or roll bar of your vehicle, as shown in the figure below. Make sure the sound system is securely attached to your vehicle.



No special tools are required when mounting the sound system on ATV or UTV.

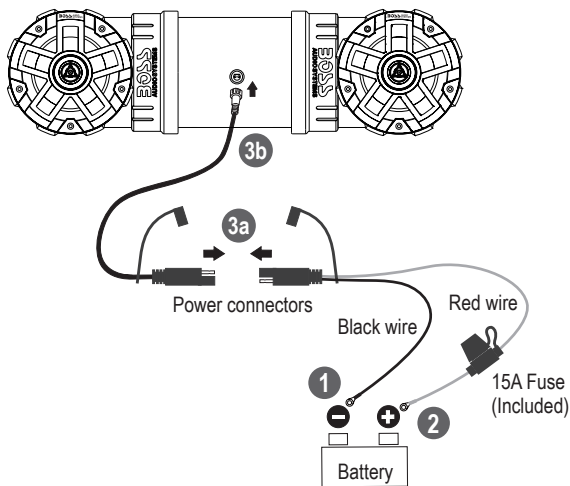
The illustration is for reference only. Your vehicle may vary.



## Power Connection to Vehicle Battery

**Important:**

- To avoid short circuits and any resulting damage to the sound system, the negative terminal of the vehicle battery must be disconnected first.
  - Do not cut out the fuse from the battery wire (red). The positive battery terminal must be connected to the wire through the fuse.
1. Connect the black/ground wire to the negative battery terminal or to the vehicle's metal frame.  
Fasten the ground wire with a bolt/screw on the metal surface. Make sure the metal surface is clean and free of paint, rust or dirt.
  2. Connect the red wire to the positive battery terminal.  
If needed, use extension wires of 12-14 gauge for connection to the battery.
  3. Connect the power connectors then the power plug to the sound system.

**Note:**

To avoid battery drain when the sound system is not used, disconnect the sound system from the battery source by unplugging the power plug.

Before you can stream music from your mobile device (iOS device or Android device) to this sound system through Bluetooth, you must first pair your mobile device to this sound system.

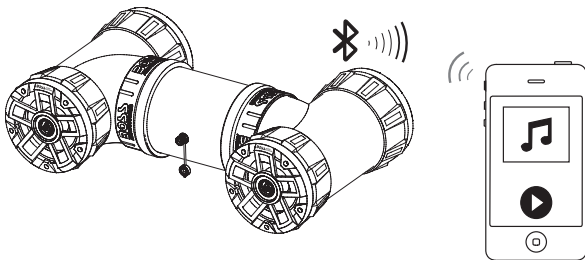
1. Connect the sound system to a power supply. The sound system will automatically enter pairing mode.
2. On your mobile device, enable Bluetooth function and select the device name ("Boss Audio ATV654") to pair the sound system with the mobile device.

If prompted for password input on your mobile device, input "0000".

**Note:** Only one device can be paired at a time.

3. When successfully paired/connected, a confirmation tone can be heard. Play audio on your mobile device, and audio will be streamed to the sound system. Use the volume control on the connected device to adjust volume.

After pairing, the sound system will be automatically connected to your mobile device each time the two are powered on and within range. To pair a different device to this sound system, disconnect the Bluetooth connection on the current mobile device, then repeat Step 2 above to pair/connect to another mobile device.



- ➔ To maximize audio performance, set the volume of the connected device to a minimum of 75%. Ideally, on the highest volume setting you can get without distortion.

Operating the sound system consumes the vehicle battery. To avoid battery exhaustion, be sure to run the vehicle engine when operating the sound system.

Operational range can be reduced by any obstacle between the sound system and the device.

If the connected device is out of the effective range from the sound system, the device will be automatically disconnected. The device will be automatically re-connected if it is within the effective range again. If Bluetooth has been disconnected for more than three minutes, you need to manually reconnect Bluetooth through your mobile device.

If you have problems using this product, check the following points before you request service. If you still have a problem, contact our technical support.

Problem	Solution
No power.	Power connection is not made. See the section "Power Connection" for details.
	The ACC switch of the vehicle is not on. Turn the ACC switch on.
	The fuse is blown. Replace the fuse with the same rating.
No sound.	Check the connected Bluetooth device for volume level or playback status (e.g. pause or stop).
Cannot connect Bluetooth	Bluetooth function on the device is disabled. Refer to the device's user manual on how to enable Bluetooth function.
	Make sure the device is within range.
	The sound system is already connected with another Bluetooth device. Disconnect the current Bluetooth connection.
	Bluetooth has been disconnected for more than three minutes, manually reconnect Bluetooth through your mobile device.
Audio quality from Bluetooth connection is poor.	Move the device closer to the sound system or remove obstacles or sources of interference that are affecting Bluetooth reception.
No response.	Power glitch or interference. Disconnect power for ten seconds then reconnect power.

## Care of the Environment

Do not throw away the product with normal household waste at the end of its life. Follow your local laws if/when disposing of electronic products. By doing this, you help preserve the environment.



**Bluetooth**

Bluetooth version.....	5.0 / EDR
Bluetooth profile.....	A2DP
Bluetooth frequency.....	2402 - 2480 MHz
Transmission power.....	<4 dBm
Transmission distance.....	up to 33 ft /10 m (line of sight)

**Speakers**

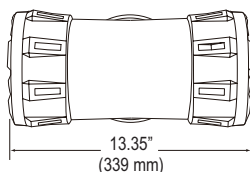
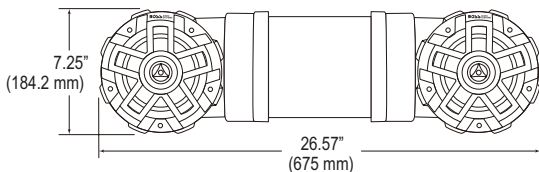
Woofers.....	4 x 6.5" (165.1 mm), polypropylene cone
Tweeters.....	4 x 1" PEI soft dome

**Amplifier**

Amplifier class.....	Class D
Frequency response.....	45 Hz - 22 kHz

**General**

Input voltage.....	12 VDC (10 - 16 VDC allowable)
Current draw.....	max. 15 A
Fuse.....	15 A, blade type
Weight.....	15.6 lbs / 7.1 kg

**Dimension drawings**

**BOSS**<sup>®</sup>  
**AUDIO SYSTEMS**



BOSS Audio Systems  
3451 Lunar Court • Oxnard, CA 93030  
**[www.bosssaudio.com](http://www.bosssaudio.com)**  
**805-751-4853 Customer Service**  
**Tech Support: [www.bosssaudio.com/support](http://www.bosssaudio.com/support)**



0223

The Bluetooth<sup>®</sup> word mark and logos are registered trademarks owned by Bluetooth SIG, Inc. and any use of such marks by BOSS Audio Systems is under license. Other trademarks and trade names are those of their respective owners.