

Eyesaver® Laboratory Spout with Integrated Eyewash

MODELS:

- SEF-1000: Laboratory Spout w/ Integrated Eyewash
- SEF-1000-8: Laboratory Spout w/ Integrated Eyewash and 8 in. Spout

EYEWASH FEATURES:

- Independent water channel for eyewash
- Single lever cartridge
- Lift handle activation
- (2) Dedicated Optimus® aerated eyewash sprays with flip top dust cap
- 2.4 GPM (9.0 L/min) max flow rate
- Inlet supply 3/8" compression male

FAUCET FEATURES:

- Low-lead brass construction
- Swivel spout positioning up to 100 degrees
- 1.2 GPM (4.5 L/min) flow rate
- Inlet supply 3/8" compression female
- Corrosion resistant finish

EYEWASH ADD-ONS:

- A-SEF-NA: Non-aerated eyewash outlets
- SEF-TW: Thermostatic mixing valve for tepid water during eyewash usage

FAUCET ADD-ONS:

- A-SEF-BOLF: 0.5 GPM (1.89 L/min) faucet flow control and 1.5 GPM (5.7 L/min) laminar faucet flow control kit
- A-SEF-ST: Serrated tip for faucet with vacuum breaker (Not NSF 61/372 compliant)
- A-TMV: Thermostatic mixing valve for tepid water during faucet usage

STANDARDS:

- ANSI/ISEA Z358.1 certified
- ASME A112.18.1/CSA B125.1 certified
- IGC 272 certified
- NSF/ANSI 61 certified
- NSF/ANSI 372 certified
- ADA

WARRANTY:

Visit www.speakman.com for full product warranty information

- 3 Year Limited Warranty (commercial)



Information continues on next page

ENSURE YOU ARE ANSI/ISEA Z358.1 Tepid Water Compliant by incorporating Speakman's 9.7 GPM Thermostatic Mixing Valve.	
	<ul style="list-style-type: none"> • STW-370: Thermostatic Mixing Valve (valve only) • SEF-TW: Thermostatic Mixing Valve with necessary connections for SEF products

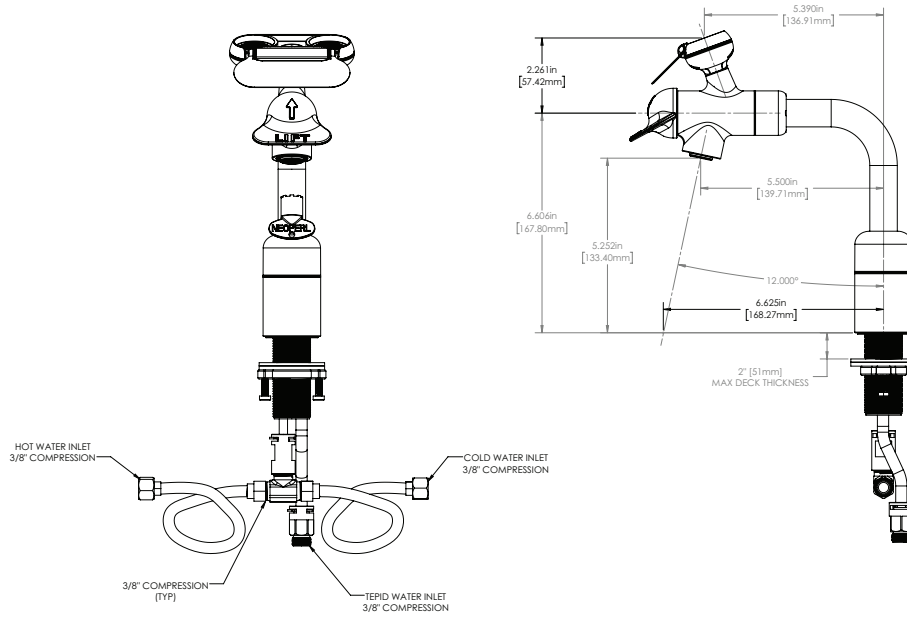
All dimensions are in inches (millimeters) unless otherwise specified and are subject to change without notice.

Architect/Engineer Approval Space:

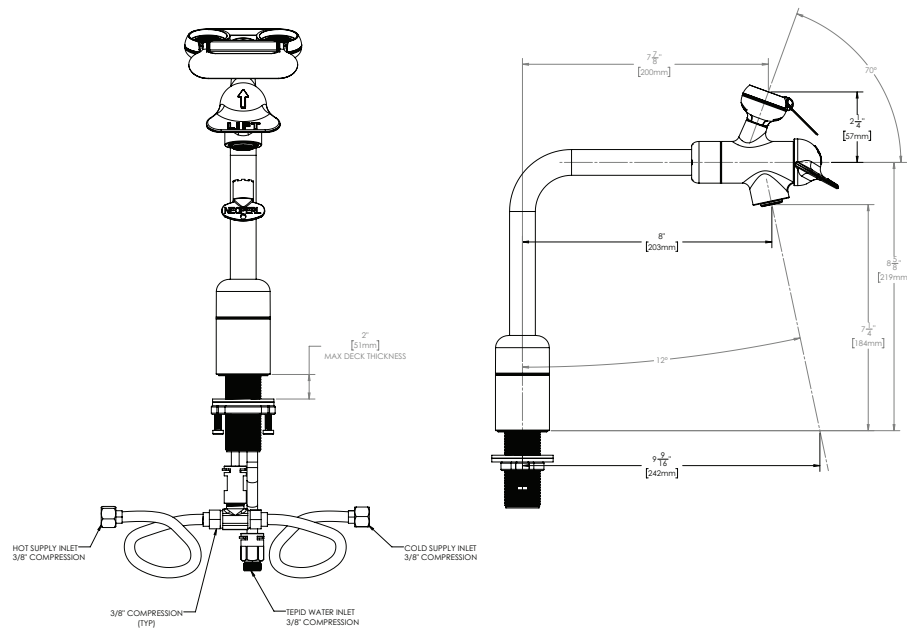
P: 800-537-2107
 F: 800-977-2747
 W: WWW.SPEAKMAN.COM
 R: 05-APRIL 2022

Eyesaver® Laboratory Spout with Integrated Eyewash

SEF-1000



SEF-1000-8



SEF-1000 Spray Plume Length and Flow

Flowing Pressure	30 psi	40 psi	50 psi	60 psi	70 psi	80 psi
	2.07 Bar	2.76 Bar	3.45 Bar	4.14 Bar	4.83 Bar	5.52 Bar
Flow Rate	1.9 gpm 7.2 L/min	2.1 gpm 7.9 L/min	2.2 gpm 8.3 L/min	2.1 gpm 7.9 L/min	2.2 gpm 8.3 L/min	2.3 gpm 8.7 L/min
Eyewash Distance Plume "A"	9.5"	10.5"	10.65"	10.5"	11"	11.5"
	24.13 cm	26.67 cm	27.31 cm	26.67 cm	27.94 cm	29.21 cm

SEF-1000-8 Spray Plume Length and Flow

Flowing Pressure	30 psi	40 psi	50 psi	60 psi	70 psi	80 psi
	2.07 Bar	2.76 Bar	3.45 Bar	4.14 Bar	4.83 Bar	5.52 Bar
Flow Rate	1.76 gpm 6.7 L/min	2.03 gpm 7.7 L/min	2.18 gpm 8.3 L/min	2.1 gpm 7.9 L/min	2.1 gpm 7.9 L/min	2.2 gpm 8.3 L/min
Eyewash Distance Plume "A"	11.5"	13.0"	14.0"	13.0"	13.5"	13.75"
	29.21 cm	33.02 cm	35.56 cm	33.02 cm	34.29 cm	34.93 cm

NOTE: If plume heights are low, check to ensure that your supply valves are fully open. If there is a noticeable height difference between the two plumes, remove the aerators and flow controls and remove any debris that would inhibit the flow of water.

All dimensions are in inches (millimeters) unless otherwise specified and are subject to change without notice.

Architect/Engineer Approval Space:

P: 800-537-2107
 F: 800-977-2747
 W: WWW.SPEAKMAN.COM
 R: 05-APRIL 2022