




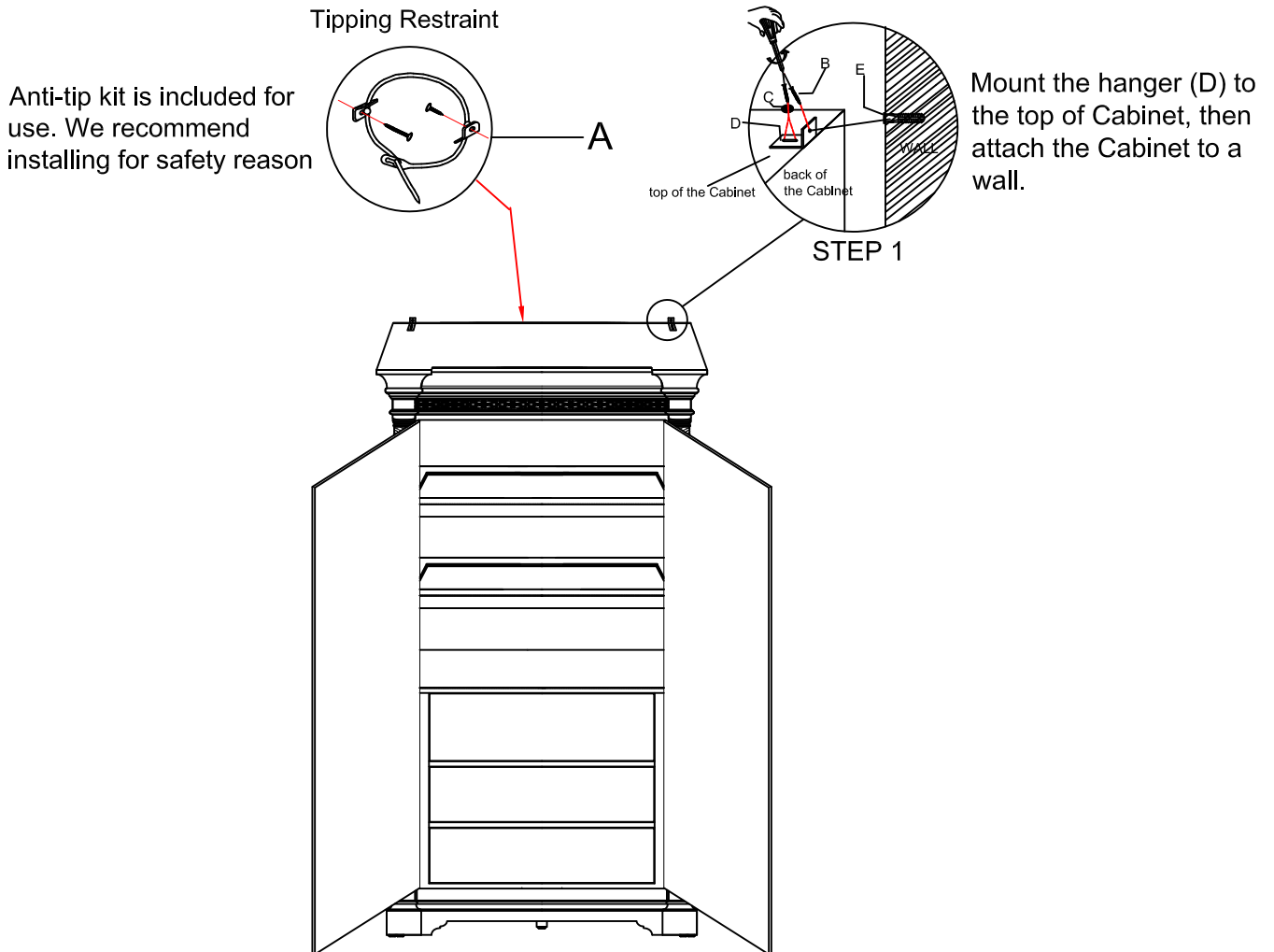


# ASSEMBLY INSTRUCTION

ITEM: 6750-75906-00 Display Cabinet

Thank you for purchasing this quality product. Be sure to unpack carefully looking for small parts which may have come loose during shipment.  
Read all instruction and study the drawing carefully before starting the assembly process.

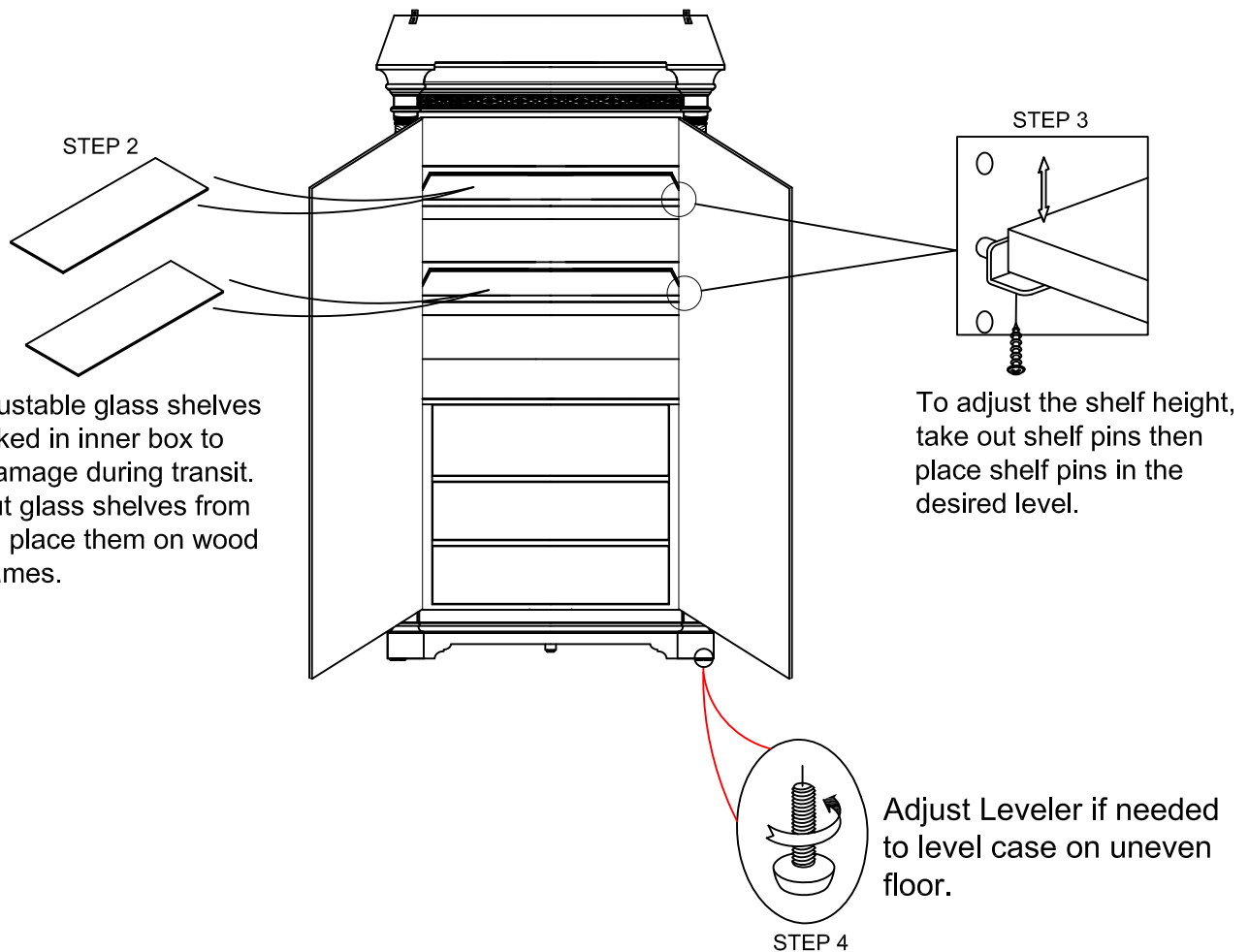
HARDWARE LIST				
NO.	DRAWING	DESCRIPTION	SIZE	Q'TY
A		Anti - Tip Kit		1PC
B		Screw	1 1/4"	6PCS
C		Flat Washer	1/4"	4PCS
D		Hanger	75*30*38mm	2PCS
E		Plastic Anchor	∅ 9*30mm	2PCS



# ASSEMBLY INSTRUCTION

ITEM: 6750-75906-00 Display Cabinet

Thank you for purchasing this quality product. Be sure to unpack carefully looking for small parts which may have come loose during shipment.  
Read all instruction and study the drawing carefully before starting the assembly process.



The adjustable glass shelves are packed in inner box to avoid damage during transit. Take out glass shelves from box and place them on wood shelf frames.

To adjust the shelf height, take out shelf pins then place shelf pins in the desired level.

Adjust Leveler if needed to level case on uneven floor.