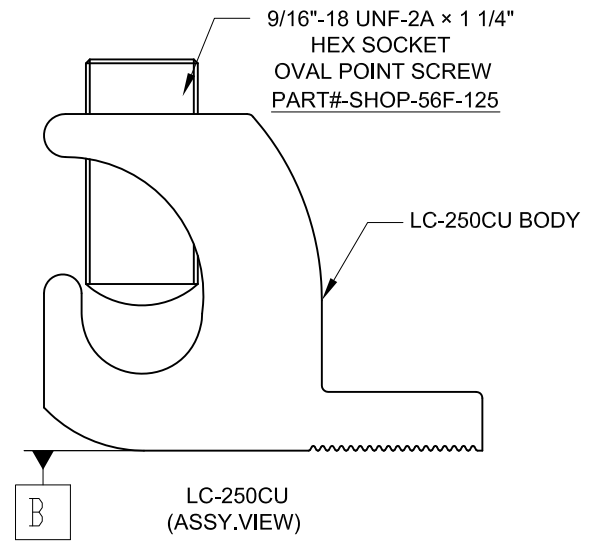
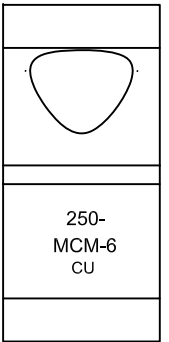
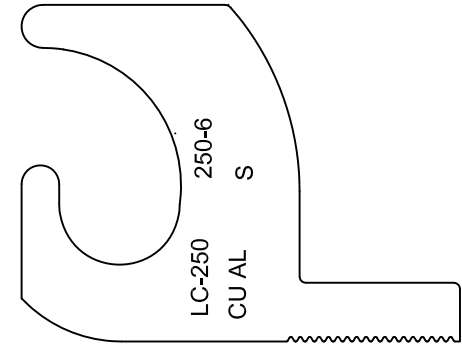
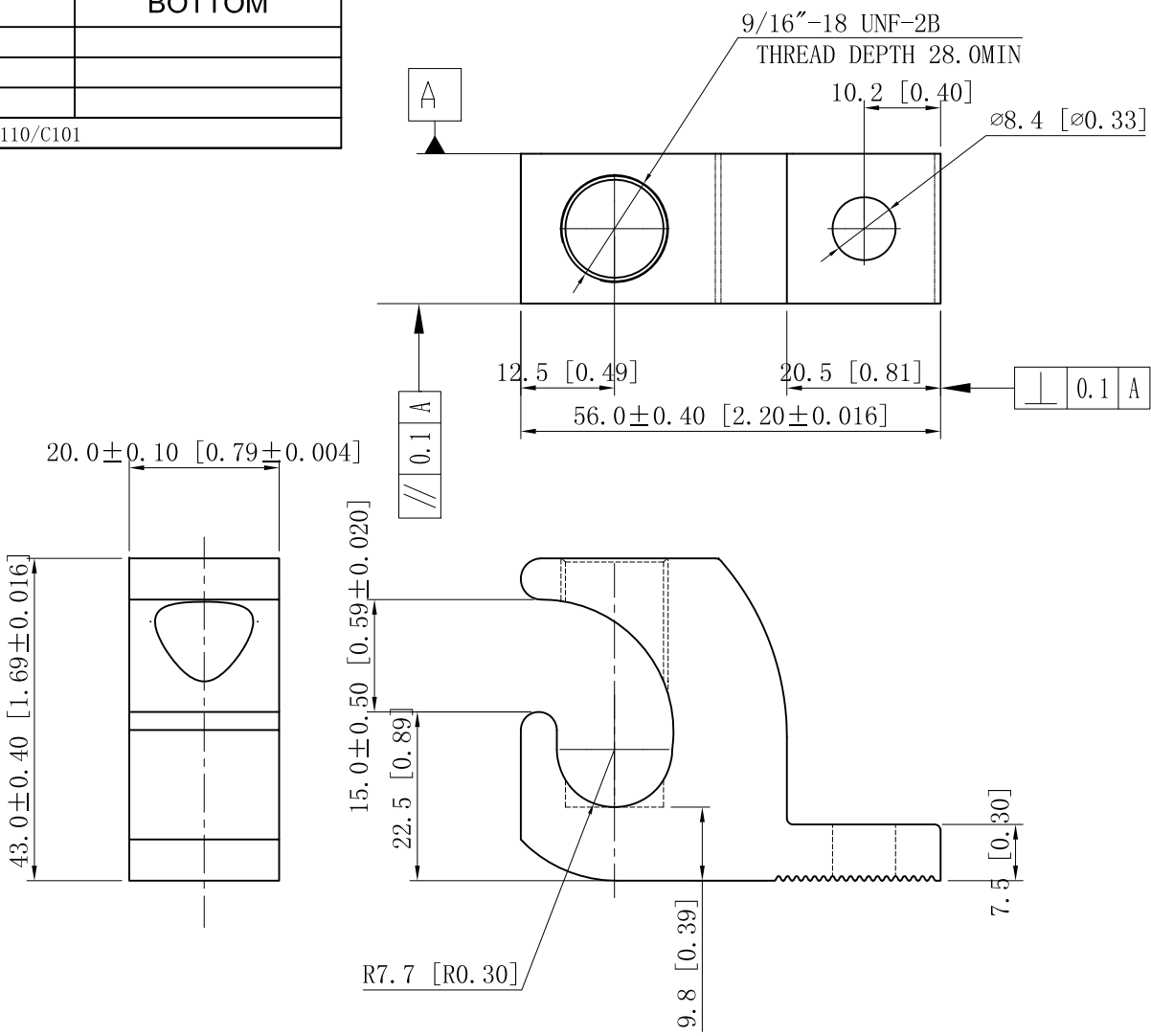


SIDES	BOTTOM
Material: COPPER C110/C101	



DESCRIPTION
TRADE REFERENCE TERMS

This data sheet is for reference only .GARVIN INDUSTRIES reserves the right to make changes to the design without prior notice.

STANDARD PACKING	<h1 style="text-align: center;">GARVIN INDUSTRIES</h1> <h2 style="text-align: center;">#6-#250 COPPER LAY-IN LUG</h2>		
TITLE	SIZE	DWG NO.	REV
	A4	250MCM-6CL	A
DATA SHEET			