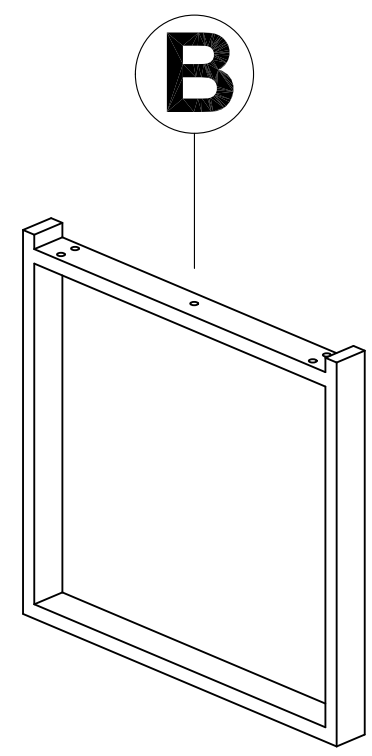
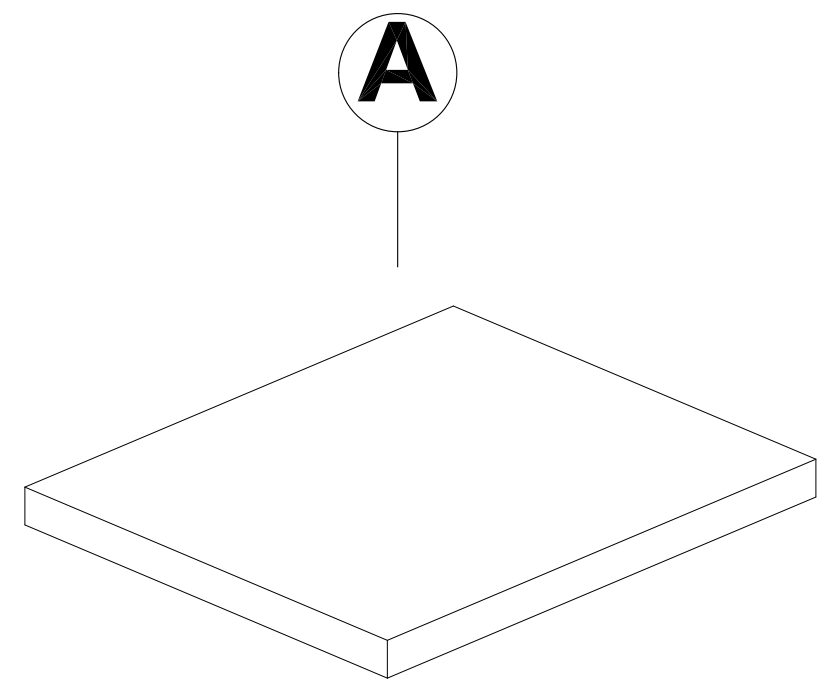


ARIELA SIDE TABLE ASSEMBLY INSTRUCTIONS



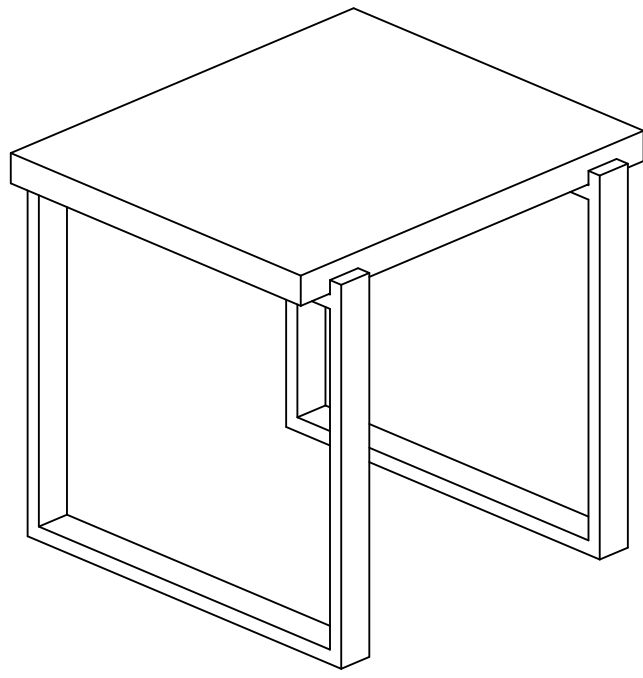
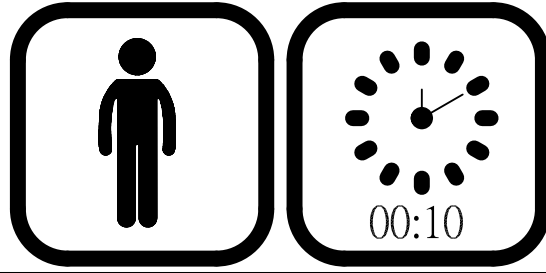
PARTS PACKING CONFIGURATIONS

A. TOP 1PC
B. LEG 2PCS

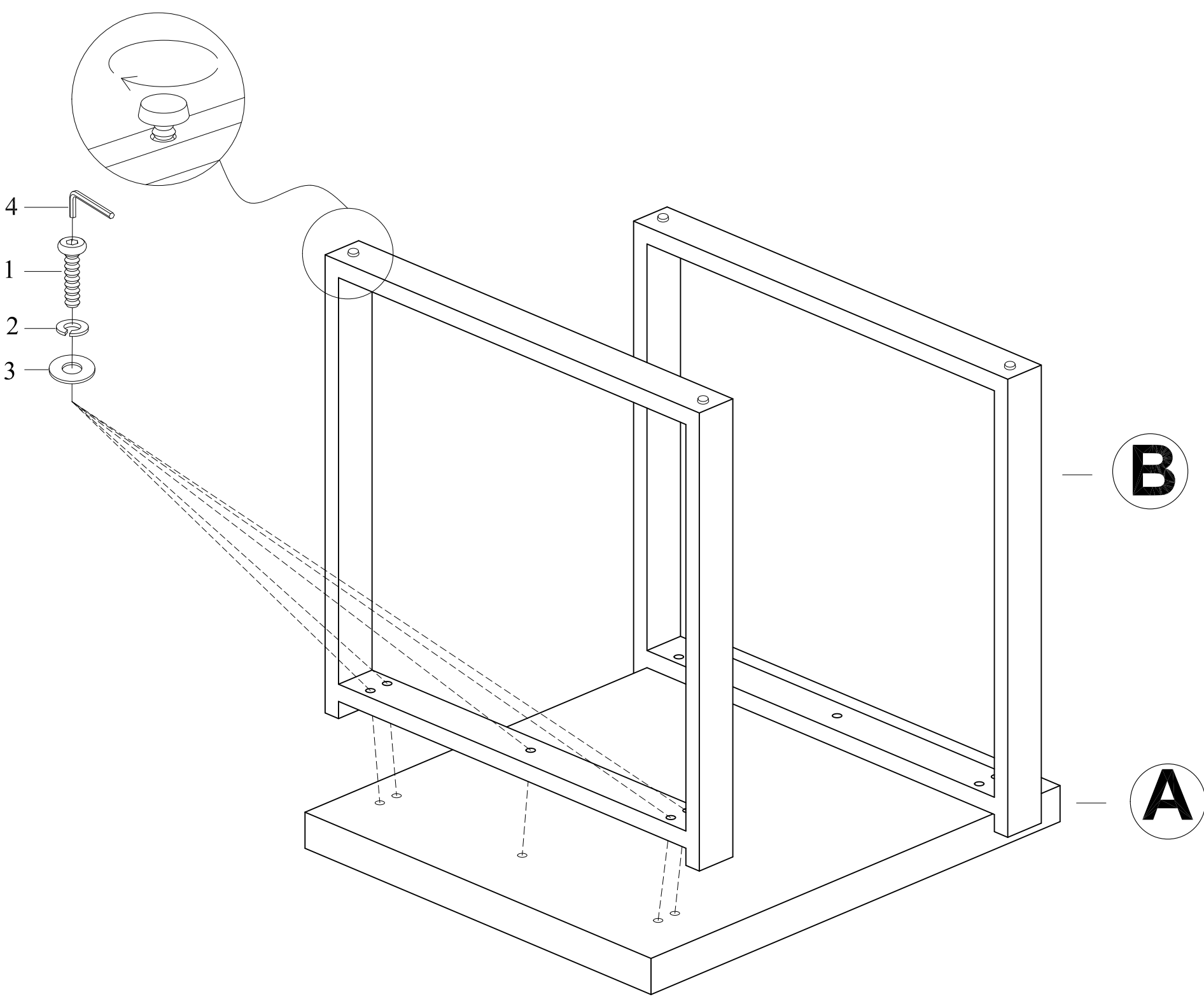


HARDWARE ENCLOSED IN CARTON

No	Description	Photo	Quantity
1	ALLEN BOLT (1/4 x 1-1/2)		10 PCS
2	LOCK WASHER (1/4)		10 PCS
3	FLAT WASHER (1/4)		10 PCS
4	ALLEN KEY		1 PC



STEP 1:



FULLY ASSEMBLED

