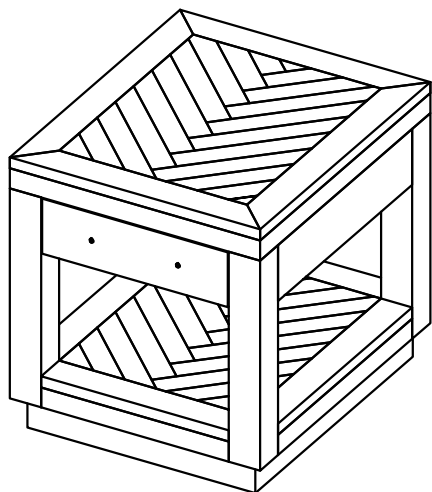


# ALEXANDRA END TABLE ASSEMBLY INSTRUCTIONS

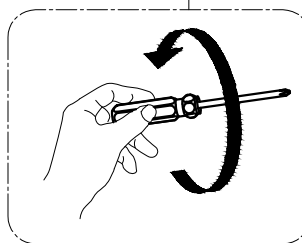
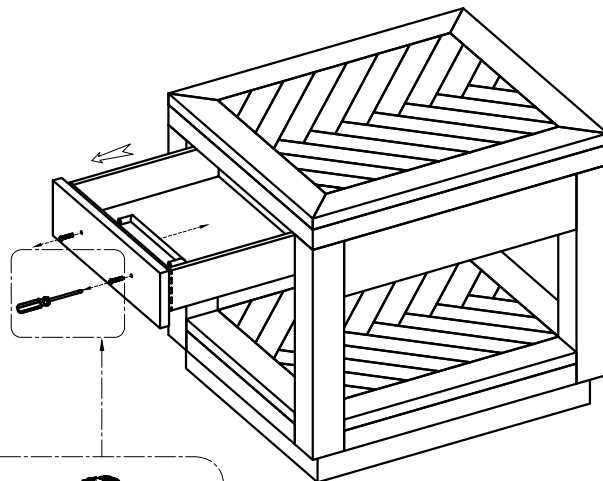


## BOX #1

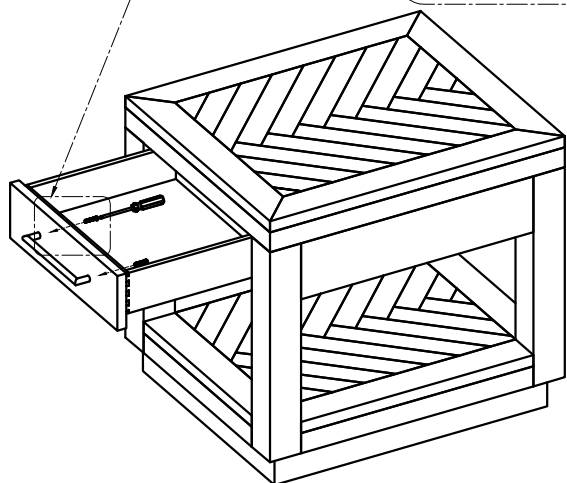
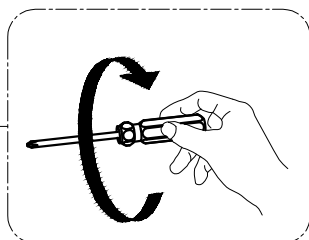
A. END TABLE 1PC



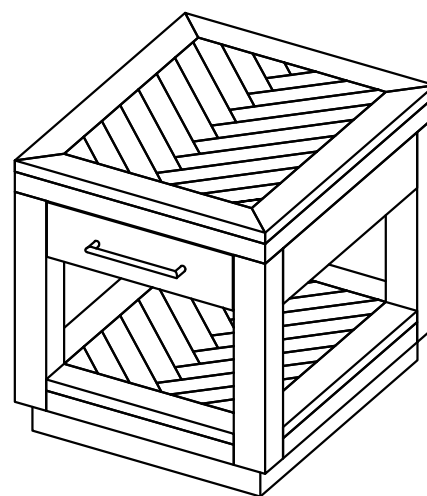
## STEP 1 :



## STEP 2 :



## ASSEMBLY COMPLETE



TOOL REQUIRED PHILLIPS HEAD SCREW DRIVER  
(NOT PROVIDED)

