



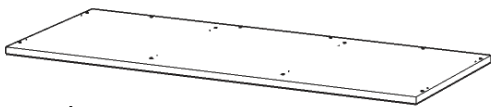
IMPORTANT

Carefully remove all the parts from the carton and place them individually on a soft cloth to prevent scratches or other damage.

Carefully and strictly follow these assembly instructions to ensure a completed product as designed.

Do not use power tools above 8 volts to assemble.

Part List



A.
Base
1 pc.



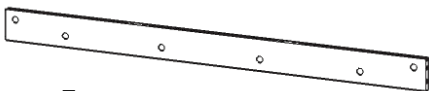
B.
Front Rail
1 pc.



C.
Front Rail
2 pcs.



D.
Back Rail
1 pc.



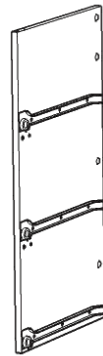
E.
Back Rail
1 pc.



O.
Tower Bar
2 pcs.



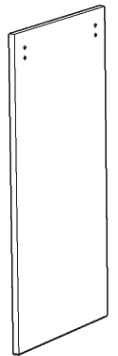
F.
Side Panel
1 pc.



G.
Middle Panel
1 pc.



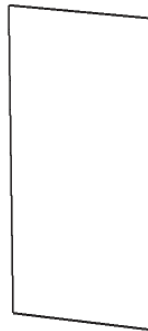
H.
Middle Panel
1 pc.



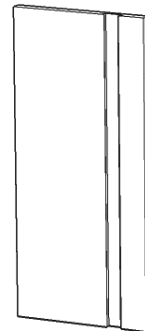
I.
Side Panel
1 pc.



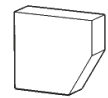
J.
Back Upright
2 pcs.



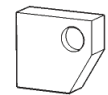
K.
Back Panel
3 pcs.



L.
Door
2 pcs.



M.
Arm
2 pcs.

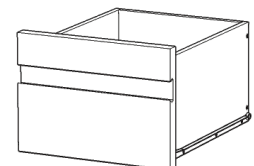


N.
Arm
2 pcs.



P.
Shelf
4 pcs.

Q.
Drawer
3 pcs.



Refer to later page(s) of these instructions for drawer assembly.

20 09100 Top carton is also need for assembly.

Tool(s) required for assembly: Phillips screwdriver

Home Styles Customer Service: www.homestyles-furniture.com,
servicedesk@homestyles-furniture.com, 888-680-7460, 877-831-0319

Assembly Instructions 2/9

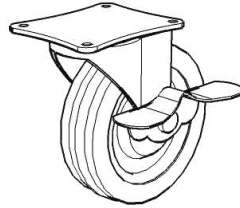
Hardware List



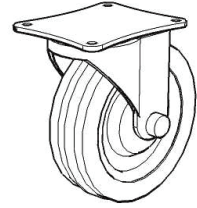
Hex Wrench
1 pc.



Small Hex Wrench
1 pc.



Locking Caster
2 pcs.



Non-Locking Caster
3 pcs.



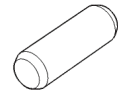
Cam Lock Screw
38 pcs. (+2 extra)



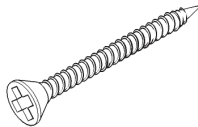
Cam Lock
26 pcs. (+6 extra)



Cam Lock (small)
12 pcs. (+2 extra)



Dowel
28 pcs. (+1 extra)



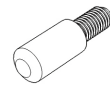
M3x38
Wood Screw (long)
10 pcs. (+1 extra)



M3x25
Wood Screw (short)
12 pcs. (+1 extra)



M4x16
Wood Screw for Hinge
36 pcs. (+1 extra)



Adjustable Pin
16 pcs. (+1 extra)



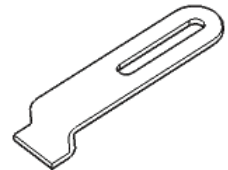
M6x30
Head Cap Bolt (long)
8 pcs. (+1 extra)



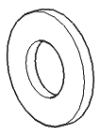
M6x20
Head Cap Bolt
4 pcs. (+1 extra)



M6x15
Head Cap Bolt (short)
20 pcs. (+1 extra)



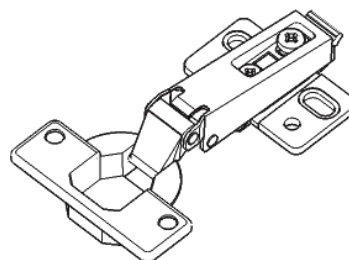
Bracket
4 pcs.



Flat Washer
24 pcs. (+1 extra)



Spring Washer
24 pcs. (+1 extra)



Hinge
6 pcs.

Assembly Instructions 3/9

IMPORTANT

- Use a soft cloth between these parts and the floor.
- Do not use power tools above 8 volts to assemble.
- Do not tighten all the bolts until each part is properly assembled.
- Keep Hex Wrench as the bolts may need to be tightened in the future.

STEP 1

Insert Cam Lock Screws into pre-drilled holes in Base (A), Back Rails (D), (E), Side Panels (F), (I), Middle Panels (G), (H) and Back Uprights (J), then tighten. (See Figure 1)

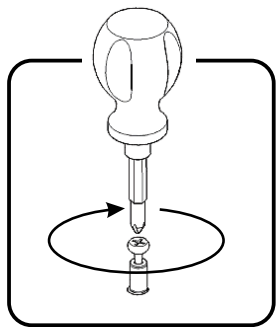
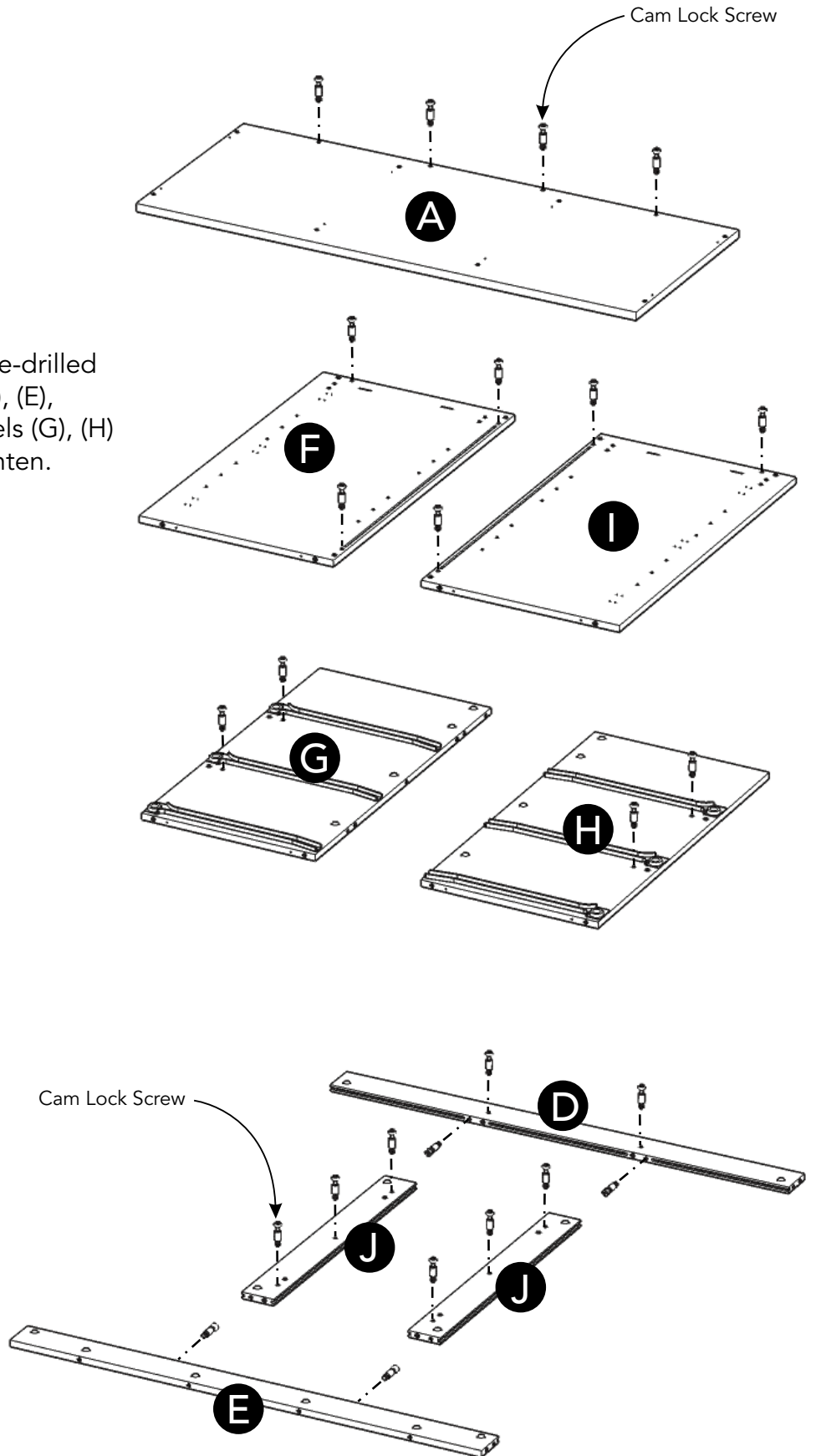


Figure 1



Assembly Instructions 4/9

STEP 2

Insert Dowels into pre-drilled holes in Back Uprights (J), then attach Back Rail (D) to Back Uprights (J) with Cam Locks. (See Figure 2)

Slide Back Panel (K) into position.

Attach Back Rail (E) to unit with Cam Locks.

Slide Back Panels (K) into position.

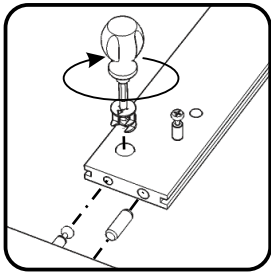
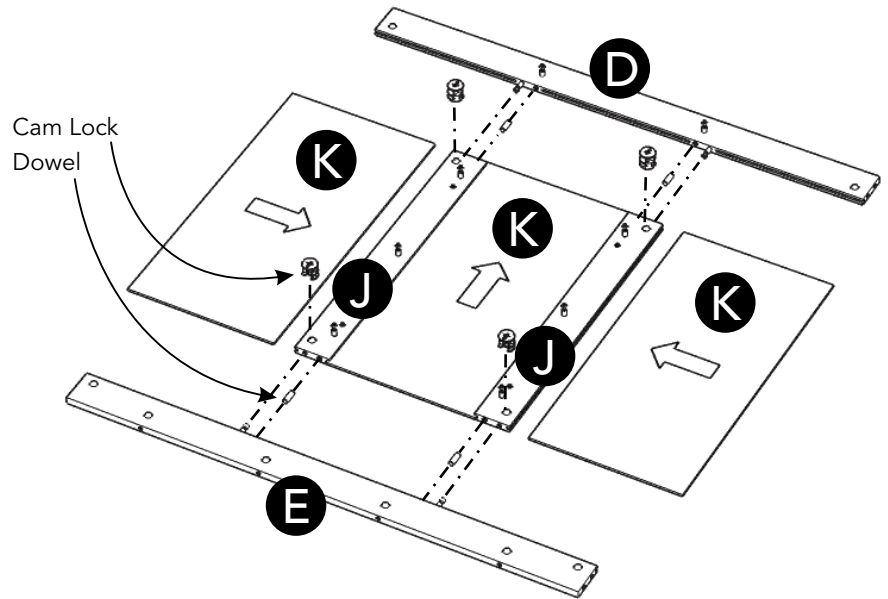
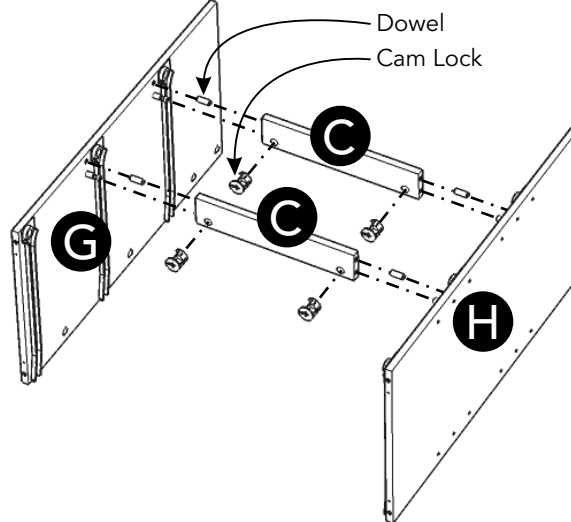


Figure 2



STEP 3

Insert Dowels into pre-drilled holes in Front Rails (C).

Attach Middle Panels (G) and (H) to Front Rails (C) with Cam Locks.

STEP 4

Insert Dowels into pre-drilled holes in units from Steps 2 and 3.

Attach unit from Step 3 to unit from Step 2 with Cam Locks.

Attach Front Rail (B) to unit with Wood Screws (long). (See Figure 3)

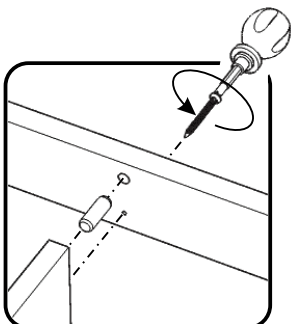
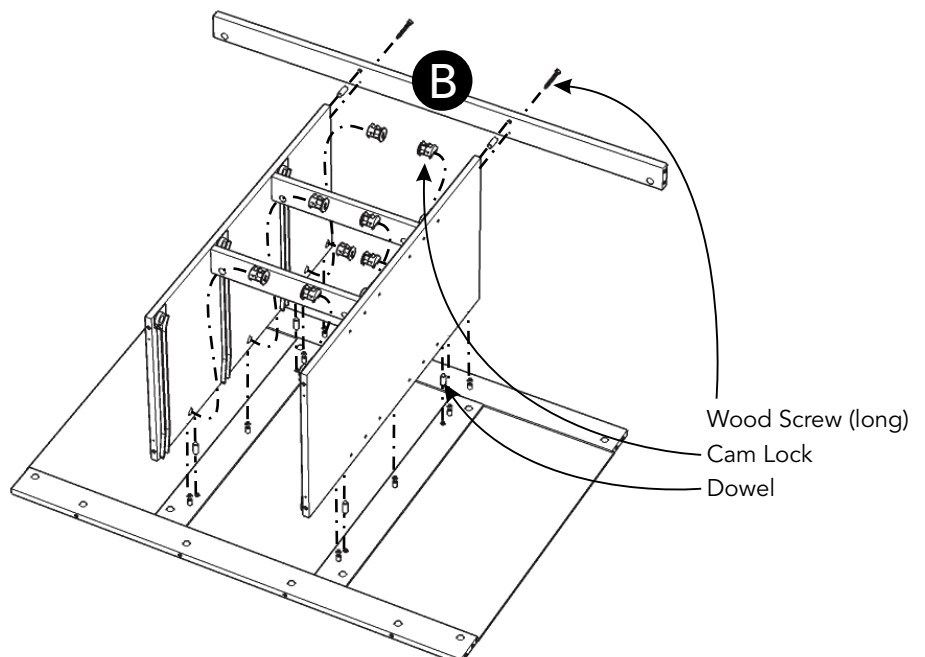
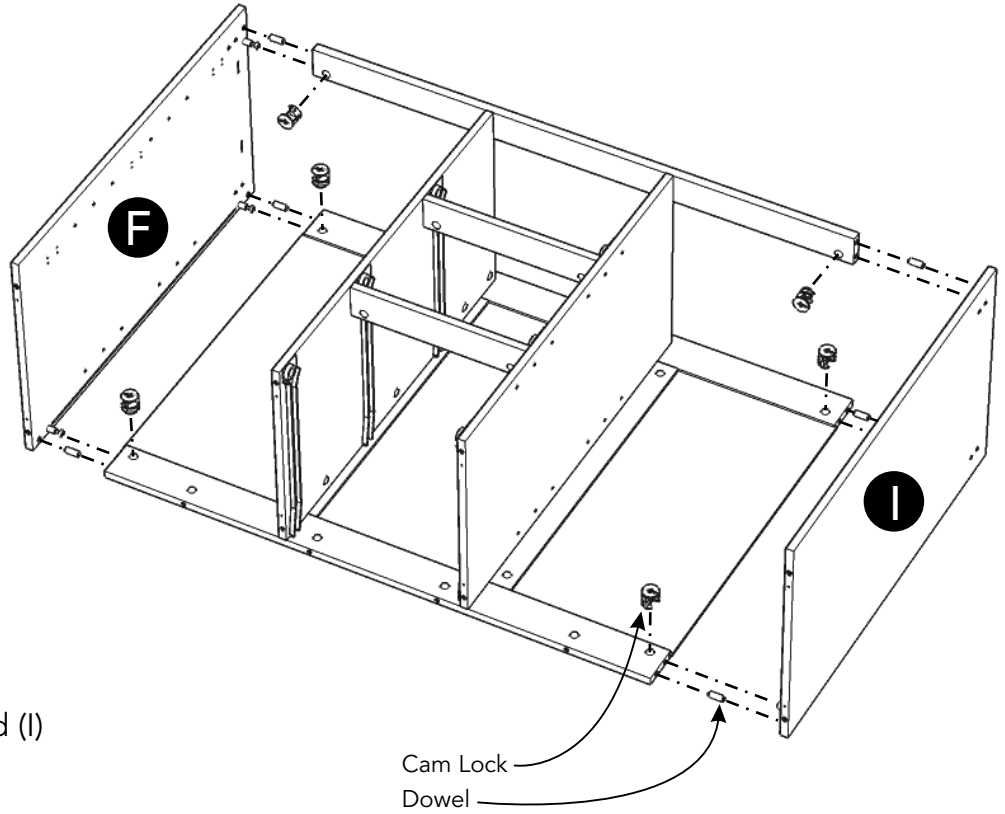


Figure 3



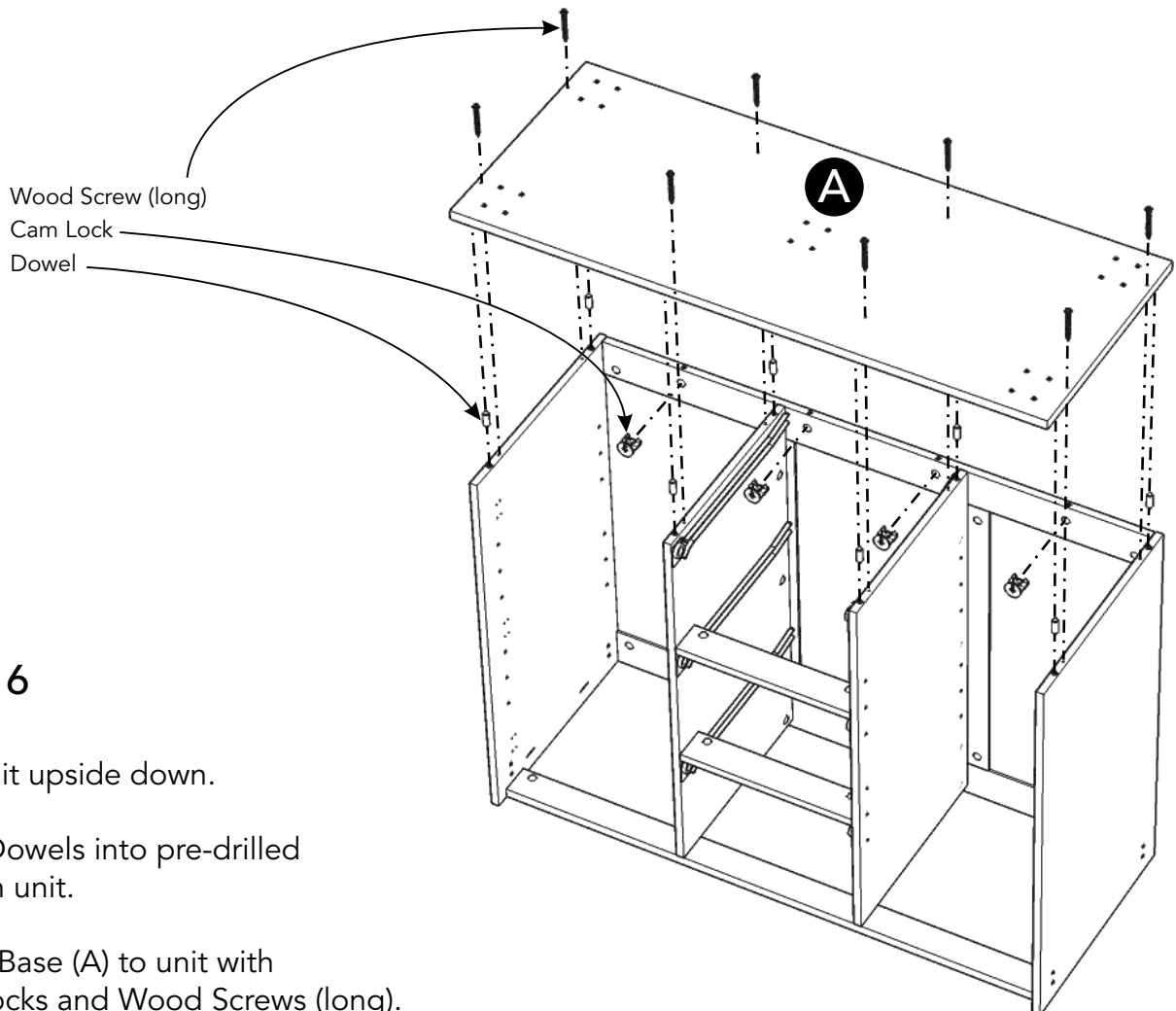
Assembly Instructions 5/9



STEP 5

Insert Dowels into pre-drilled holes in unit.

Attach Side Panels (F) and (I) to unit with Cam Locks.



STEP 6

Turn unit upside down.

Insert Dowels into pre-drilled holes in unit.

Attach Base (A) to unit with Cam Locks and Wood Screws (long).

Assembly Instructions 6/9

STEP 7

Attach Casters to unit with Flat Washers, Spring Washers and Head Cap Bolts (short), with Locking Casters at front, tightening bolts only halfway. (See Figure 4)

Tighten all Head Cap Bolts (short).

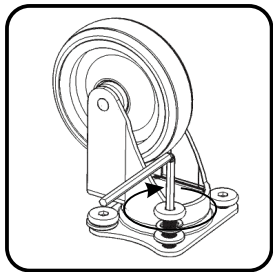
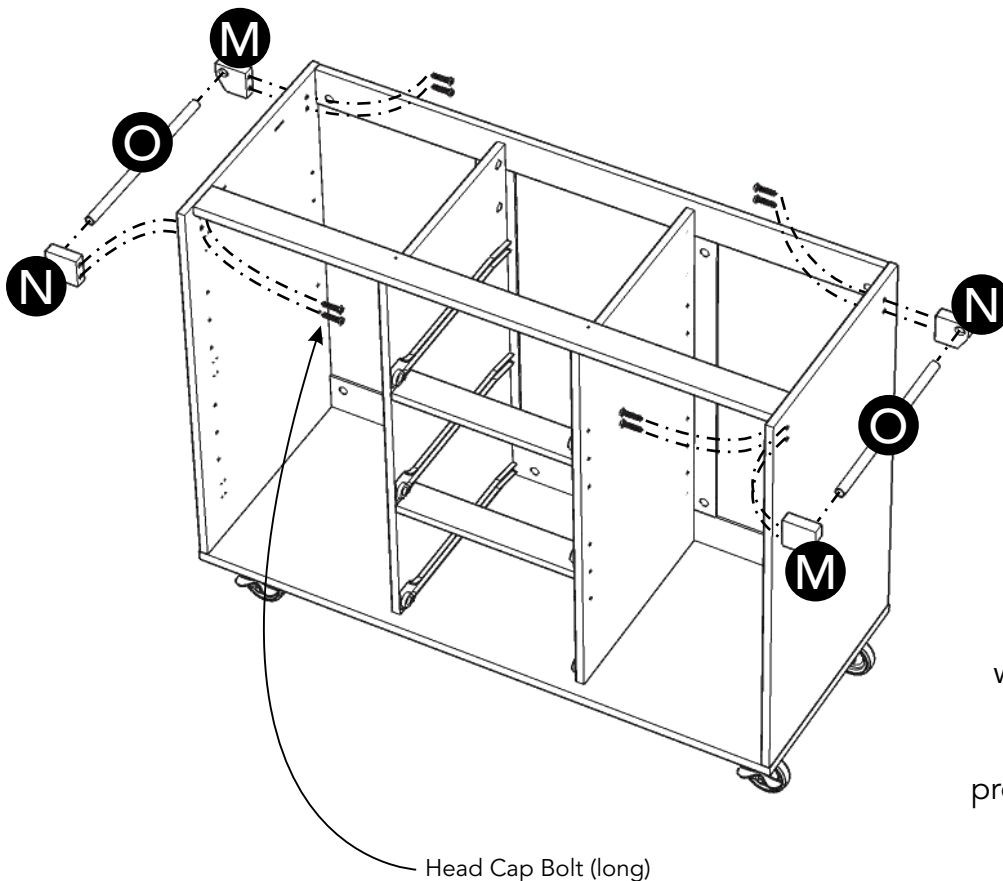
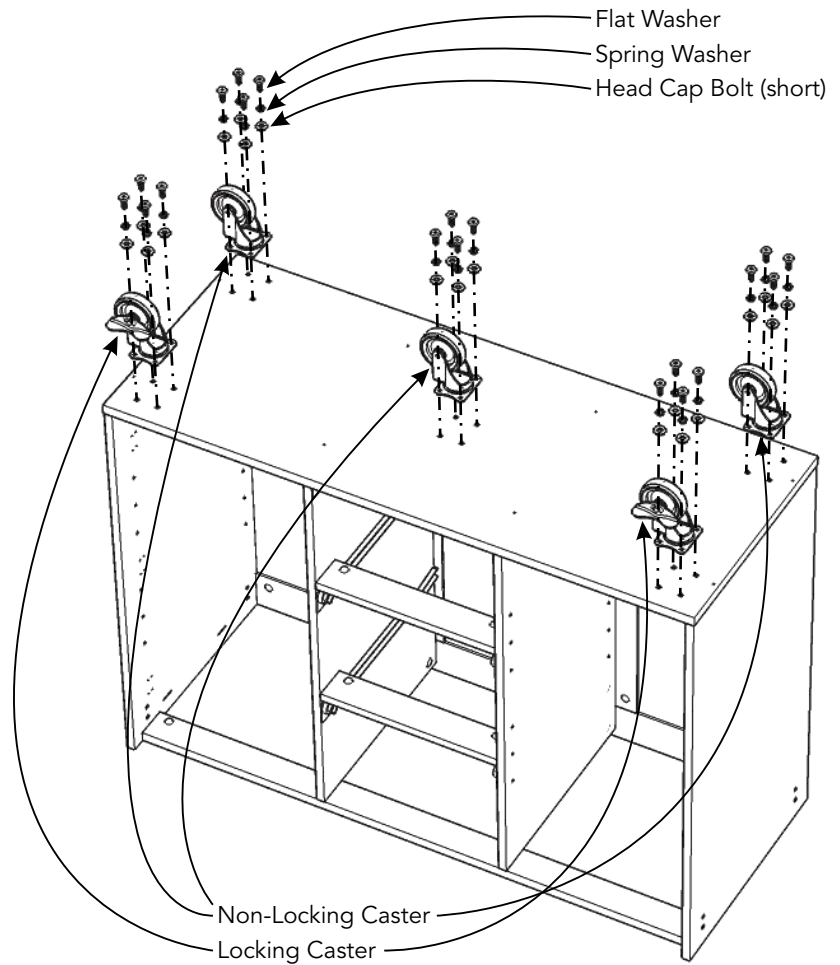


Figure 4



STEP 8

Turn unit over to its upright position.

Attach Arms (M) to unit with Head Cap Bolts (long).

Slide Towel Bars (O) into pre-drilled holes in Arms (M).

Attach Arms (N) to unit with Head Cap Bolts (long).

STEP 9

Attach Hinges to Doors (L) with Wood Screws for Hinge into pre-drilled holes, then tighten. (See Figure 5)

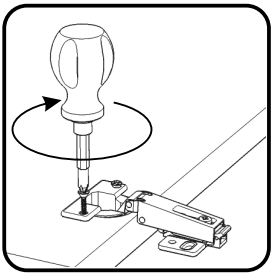
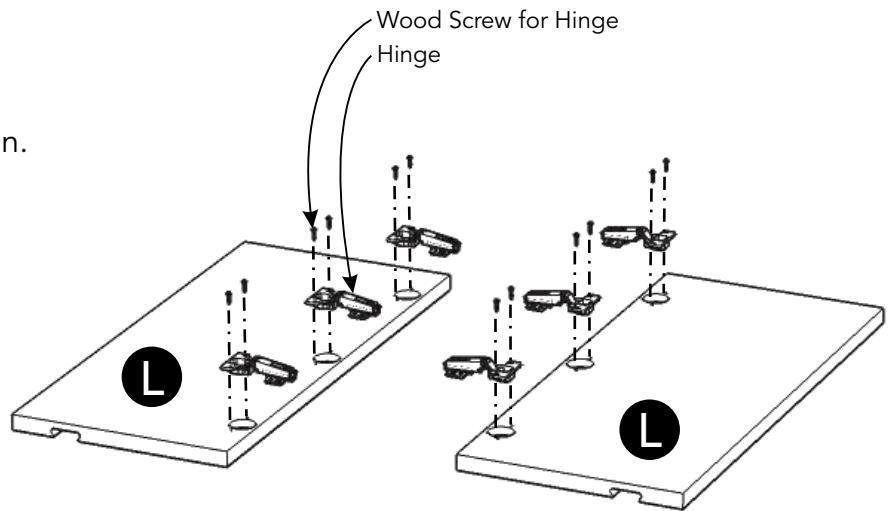


Figure 5



STEP 10

Attach Doors (L) to unit with Wood Screws for Hinge. (See Figure 6)

Insert Adjustable Pins into side panels and middle panels at desired level. (See Figure 7)

Place Shelves (P) into position.

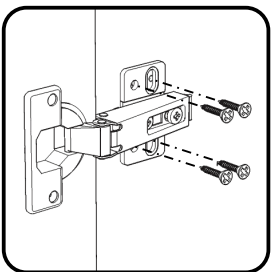


Figure 6

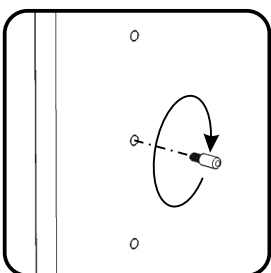
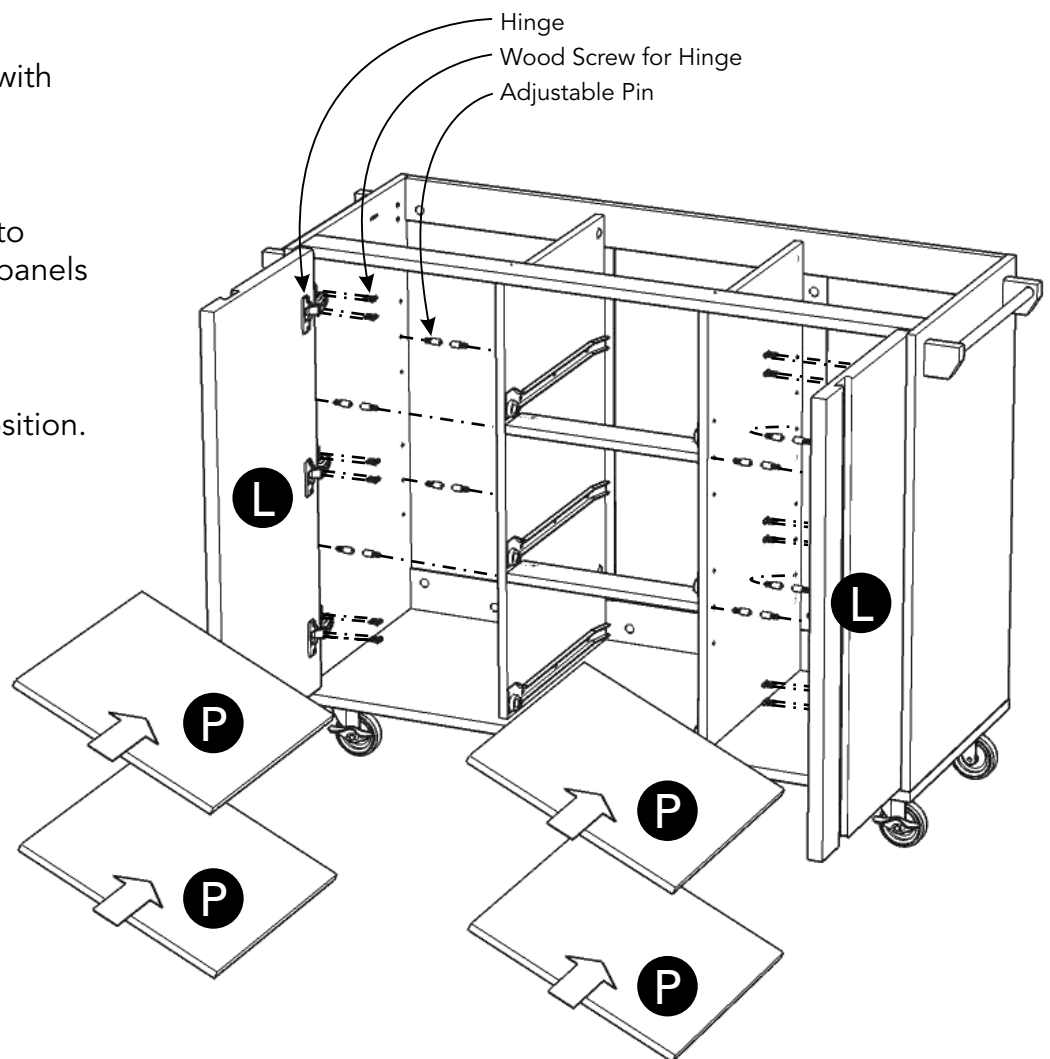
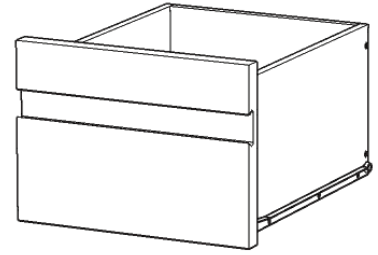
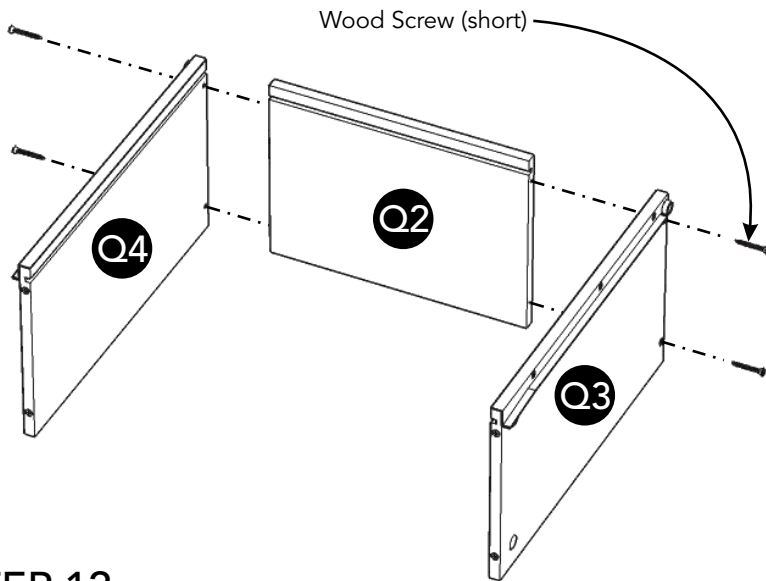


Figure 7



Assembly Instructions 8/9

Drawer (Q)

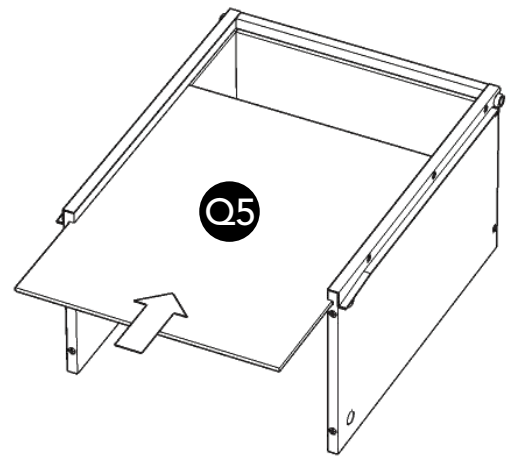


STEP 11

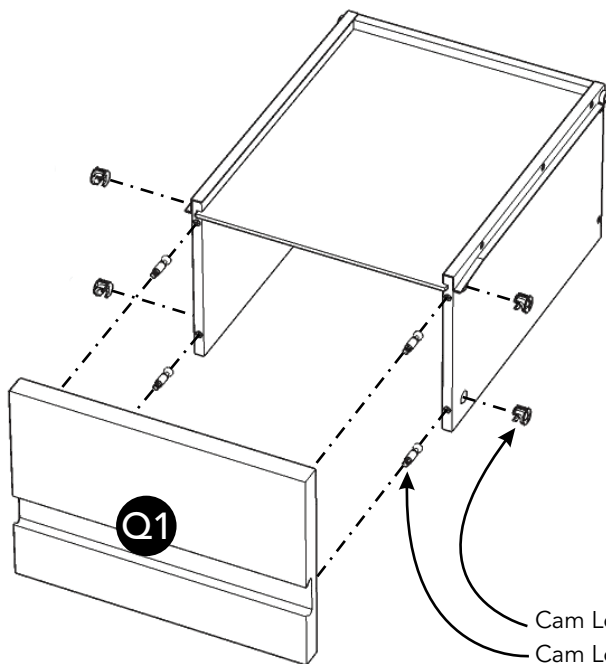
Attach Drawer Sides (Q3) and (Q4) to Drawer Back (Q2) with Wood Screws (short).

STEP 12

Slide Drawer Bottom (Q5) into groove.



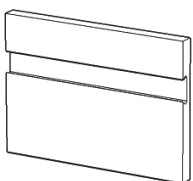
STEP 13



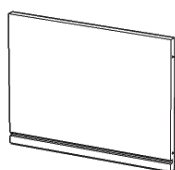
Insert Cam Lock Screws into pre-drilled holes in Drawer Front (Q1), then tighten.

Attach Drawer Front (Q1) to unit with Cam Locks (small).

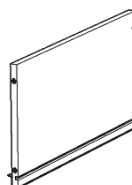
Part List



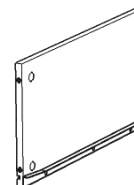
Q1.
Drawer Front
3 pcs.



Q2.
Drawer Back
3 pcs.



Q3.
Drawer Side
3 pcs.



Q4.
Drawer Side
3 pcs.



Q5.
Drawer Bottom
3 pcs.

Assembly Instructions 9/9

STEP 14

Attach Top (W) to unit with Brackets, Flat Washers, Spring Washer and Head Cap Bolts, tightening bolts only halfway. (See Figure 8)

Tighten all Head Cap Bolts.

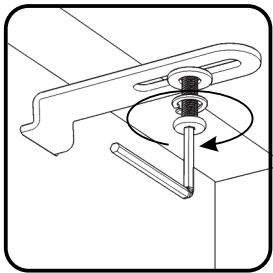
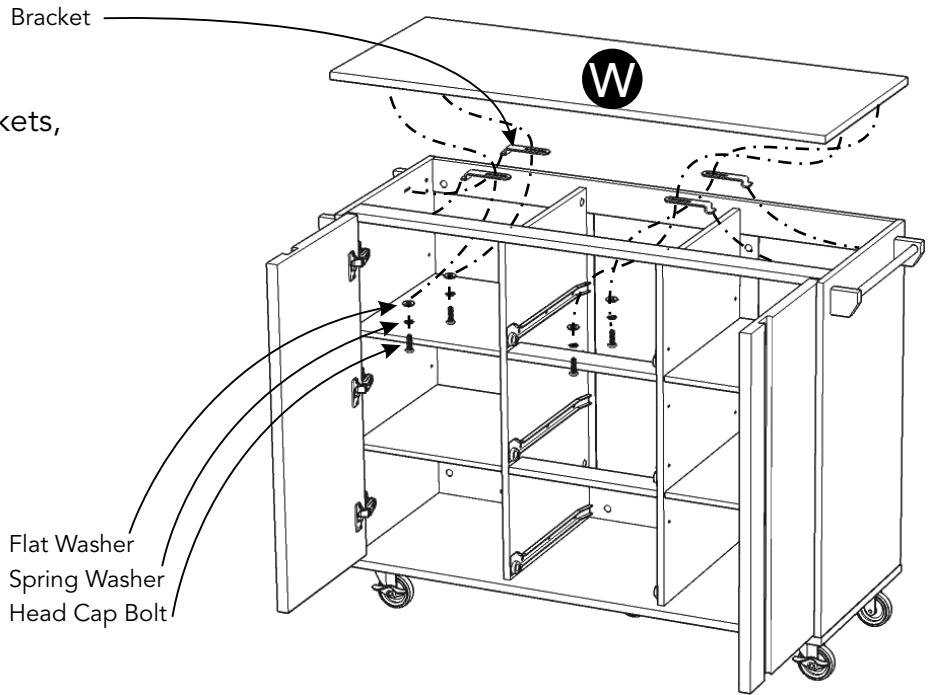


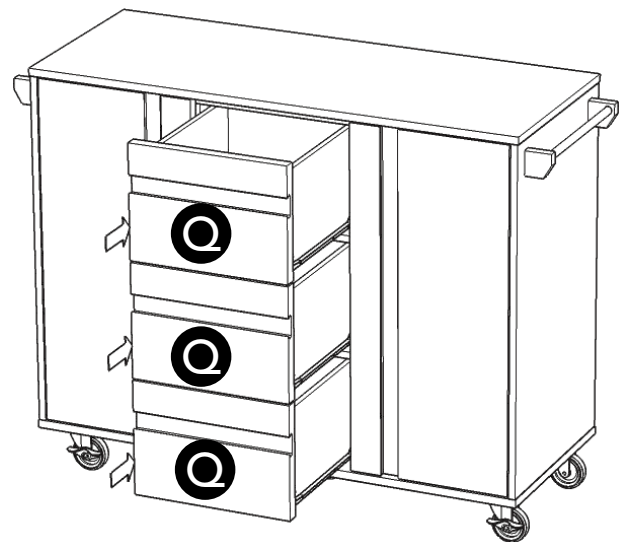
Figure 8



STEP 15

Slide Drawers (Q) into position.

Note: Supports (V) and Head Cap Bolts (middle) from 20 09100 Top carton are not used in this assembly.



STEP 16

If needed, adjust doors up or down by removing the front Wood Screws for Hinge and loosening slightly the back Wood Screws for Hinge from side panel, adjusting doors up or down and re-installing screws. (See Figure 9).

If needed, adjust doors left to right. (See Figure 10)

If needed, adjust doors front to back. (See Figure 11)

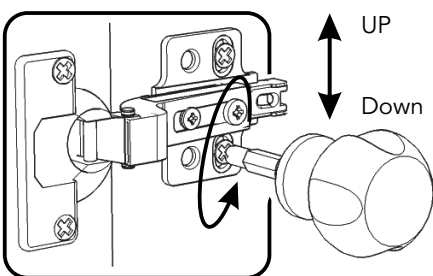


Figure 9

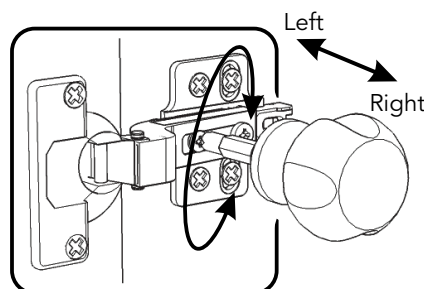


Figure 10

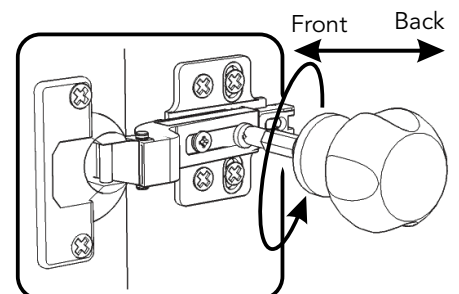


Figure 11

CARE INSTRUCTIONS

NEVER

allow liquids to remain on furniture.
Absorption causes parts to warp
and split and finishes to delaminate.

NEVER

use glass cleaners on
finished furniture. Ammonia
chemically attacks the finish.



Do not use power tools
above 8 volts to assemble.
**PREVENT
CRACKING**



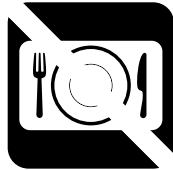
Do not place
in direct sunlight.
**PREVENT
FADING**



Do not write
directly on surface.
**PREVENT
MARKING**



Do not place hot
objects on surface.
**PREVENT
FINISH DAMAGE**



Do not use rubber
based placemats.
**PREVENT
DISCOLORING**



Do not use commercial
waxes and polishes.
**PREVENT
YELLOWING**

CLEAN

with a soft cloth moistened
in lukewarm soap and water.
Buff with a dry clean cloth.



Home Styles will provide replacements free of charge for missing or damaged hardware or parts within 30 days of purchase. Digital images of the defective parts may be required. If the product was not purchased from an authorized retail affiliate, Home Styles is under no obligation to provide replacement parts. Parts are not available for fully assembled items nor are parts available for sale. Replacements for missing or damaged hardware or parts may be requested at:

www.homestyles-furniture.com/customer-service/replacement-parts

Home Styles Customer Service: www.homestyles-furniture.com,
servicedesk@homestyles-furniture.com, 888-680-7460, 877-831-0319