

Assembly Guide



Bush
FURNITURE

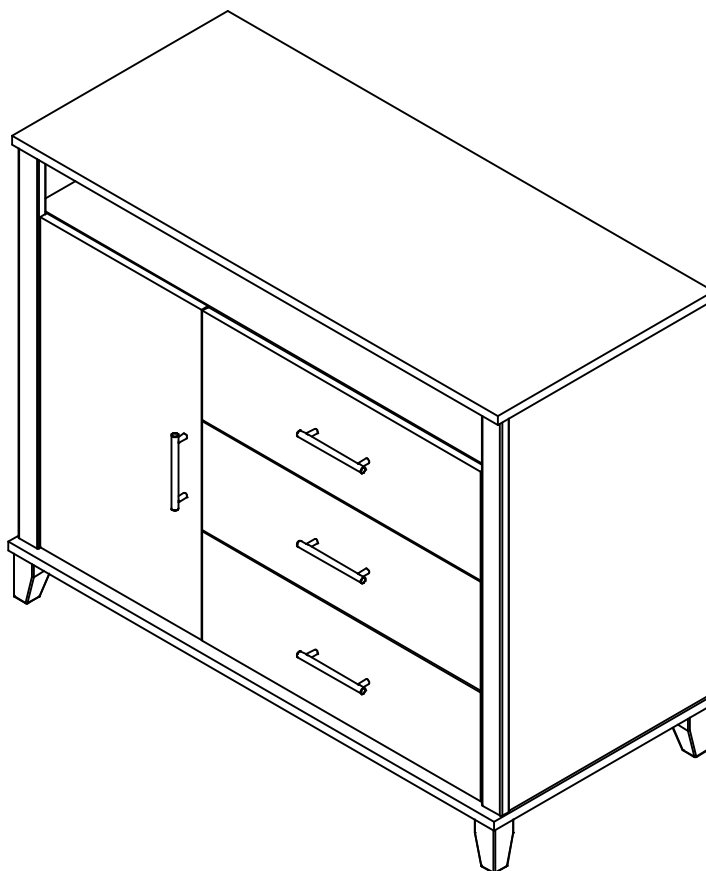


If you're having any difficulty during assembly of this product, don't hesitate to call us at **1-800-950-4782.**

Our customer service experts are trained to provide step-by-step instruction and can easily replace any missing or damaged parts.

Representatives are available Monday-Friday from 8:30 a.m. to 7:30 p.m. (ET)

Media Chest/ Sideboard/ Credenza



Lot Code #

Instruction Sheet Number A206435A

Keep manual for future reference.

For best results, keep these tips in mind:

- ① We know you want to finish this assembly as quickly as possible, but trust us: you'll have a better experience if you take it one step at a time.
- ② Give yourself some room to work near where you want the fully assembled product.
- ③ If your floor isn't carpeted, assemble this product on the empty carton to avoid scratching.
- ④ Do you have a friend who owes you a favor? Some steps may go a little easier with a second set of hands.

DOs

- ✔ Use a #2 Phillips head screwdriver (or other handheld tools as indicated)
- ✔ Wear safety glasses at all times during assembly
- ✔ Carefully follow the instructions in this guide and complete all steps in order
- ✔ Give us a call if you're having trouble with a particularly tricky step

DON'Ts

- ✘ We know power tools are quick and easy, but you shouldn't use them when assembling this product (unless otherwise specified)
- ✘ Never move your furniture with items inside or resting on the surface
- ✘ Do not attempt to use this product before all steps have been completed



Watch assembly videos right on your phone or computer!



Some steps include QR codes that link to helpful videos. Watch out for the icon on the left! Simply open up your smartphone camera to scan the code.

(Users of older smartphones may need to install a QR Reader.)

SCAN HERE



FOR VIDEOS

Or visit <https://www.bushfurniture.com/CustomerService/HowtoAssemble.aspx>

IMPORTANT SAFETY INFORMATION



PLEASE READ WARNINGS

Improper use can cause safety hazards, or damage to your furniture and household items.

Warning	Do	Don't	Why it's important
Serious injury or death may occur.	<ul style="list-style-type: none">• Only place flat screen TVs on this product• Assemble following all instructions using all indicated parts and hardware provided.• For use with televisions weighing 45 lbs (20.4 kg) or less and having a diagonal screen size of 55 inches (1397 mm) or less• Install every indicated nail and/or screw.• Verify Furniture is stable on it's own.• Place heaviest items in the lower drawers or shelves.• Always install tipover restraint hardware provided.• Remove items that might tempt kids to climb, such as toys and remote controls from the top and upper shelves of furniture.	<ul style="list-style-type: none">• Do not move unit when loaded.• Do not exceed the maximum load limits stated in the instructions.• Do not allow children to stand, climb, or hand on furniture.	Improper assembly, use or loading can lead to product instability, tipover, or collapse.

IMPORTANT SAFETY INFORMATION



PLEASE READ WARNINGS

Improper use can cause safety hazards, or damage to your furniture and household items.

Advertencia	Hacer	No	Por qué es importante
<p>Pueden producirse lesiones graves o la muerte.</p>	<ul style="list-style-type: none">• Coloque únicamente televisores de pantalla plana sobre este producto.• Realice el montaje siguiendo todas las instrucciones y utilizando todas las piezas indicadas y los herrajes suministrados.• Para televisores que pesen 20,4 kg (45 libras) o menos y tengan una diagonal de pantalla de 1397 mm (55 pulgadas) o menos.• Instale todos los clavos y/o tornillos indicados.• Compruebe que el mueble sea estable por sí mismo.• Coloque los objetos más pesados en los cajones o estantes inferiores.• Instale siempre los herrajes de antivuelco suministrados.• Retire los objetos que puedan tentar a los niños a trepar, como juguetes y mandos a distancia, de los estantes superiores y superiores del mueble.	<ul style="list-style-type: none">• No mueva la unidad cuando esté cargada.• No supere los límites máximos de carga indicados en las instrucciones.• No permita que los niños se pongan de pie, trepen o se cuelguen de los muebles.	<p>El montaje, uso o carga inadecuados pueden provocar inestabilidad, vuelco o colapso del producto.</p>

IMPORTANT SAFETY INFORMATION



PLEASE READ WARNINGS

Improper use can cause safety hazards, or damage to your furniture and household items.

Avertissement	À faire	À ne pas faire	Pourquoi c'est important
Pueden producirse lesiones graves o la muerte.	<ul style="list-style-type: none">• Seuls les téléviseurs à écran plat conviennent à ce produit.• Assembler en suivant toutes les instructions et en utilisant toutes les pièces et la quincaillerie incluses.• Pour une utilisation avec des téléviseurs pesant 45 lb (20.4 kg) ou moins et ayant une diagonale d'écran de 55 po (1397 mm) ou moins• Installer tous les clous et/ou toutes les vis.• Assurez-vous que le meuble soit stable par lui-même.• Placer les objets les plus lourds sur les tablettes ou dans les tiroirs du bas.• Toujours installer le matériel de fixation mural inclus.• Retirer les objets qui pourraient inciter les enfants à grimper comme les jouets et les télécommandes des tablettes supérieures et du dessus du meuble.	<ul style="list-style-type: none">• Ne pas déplacer le meuble lorsqu'il est chargé.• Ne pas dépasser les limites de poids maximales indiquées dans les instructions.• Ne pas laisser les enfants se tenir sur les meubles, y grimper ou s'y suspendre.	Un assemblage, une utilisation ou un chargement incorrects peuvent entraîner l'instabilité, le basculement ou l'effondrement du produit.

IMPORTANT SAFETY INFORMATION



PLEASE READ WARNINGS

Improper use can cause safety hazards, or damage to your furniture and household items.

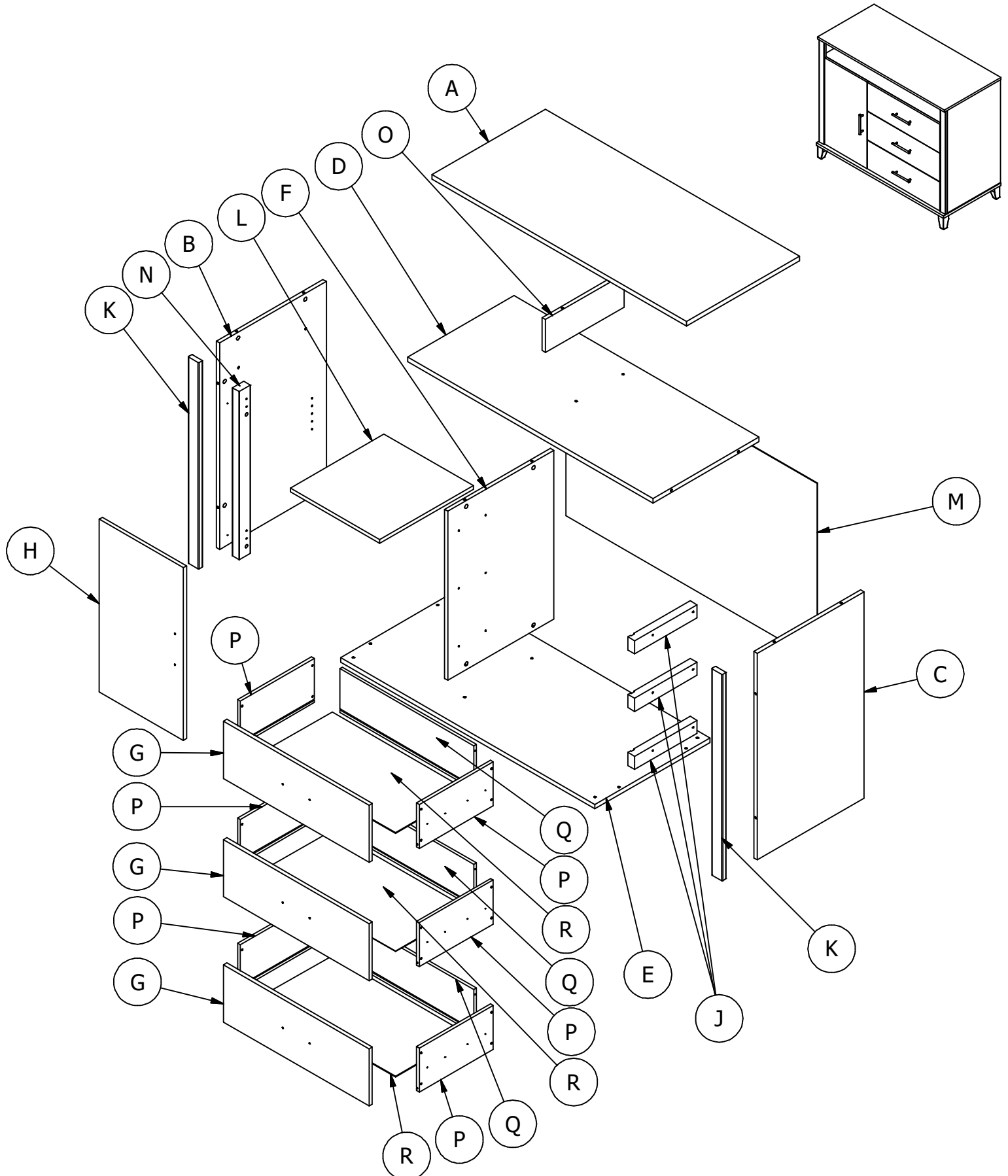
This product meets tip stability safety specification for clothing storage units. ASTM F2057-19.

Ce produit est conforme à la norme sur les spécifications de sécurité en matière de stabilité pour les unités de rangement de vêtements. ASTM F2057-19.

Este producto es conforme a la norma relativa a las especificaciones de estabilidad en materia de seguridad aplicables a los muebles para guardar ropa. ASTM F2057-19.

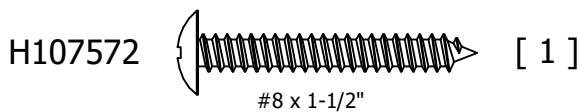
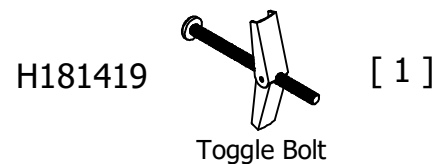
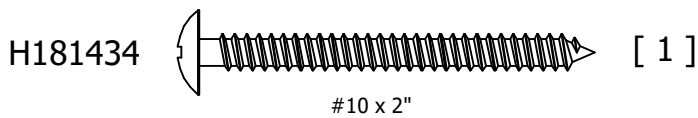
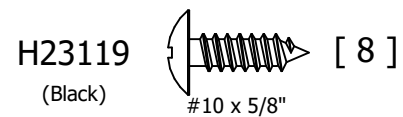
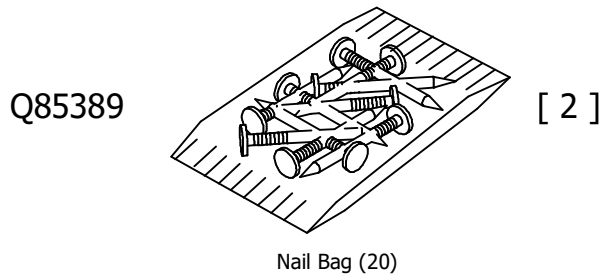
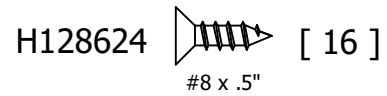
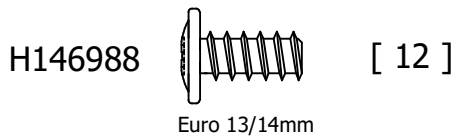
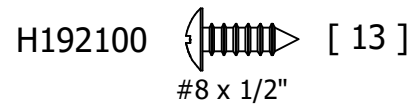
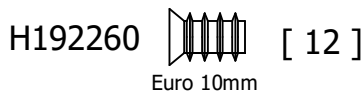
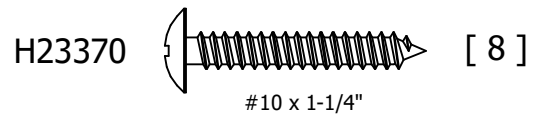
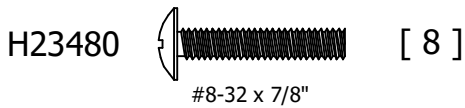
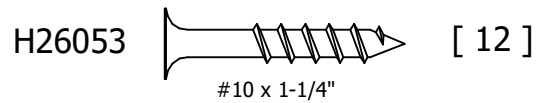
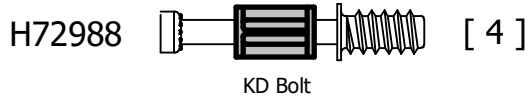
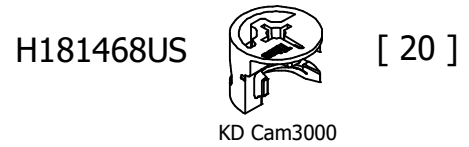
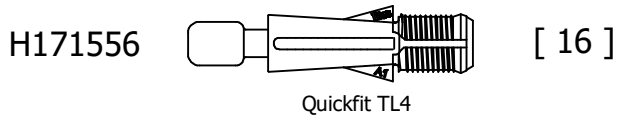
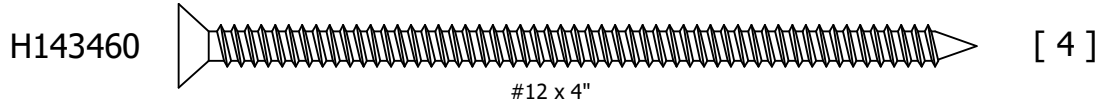
Get to know your Boards

A206435A



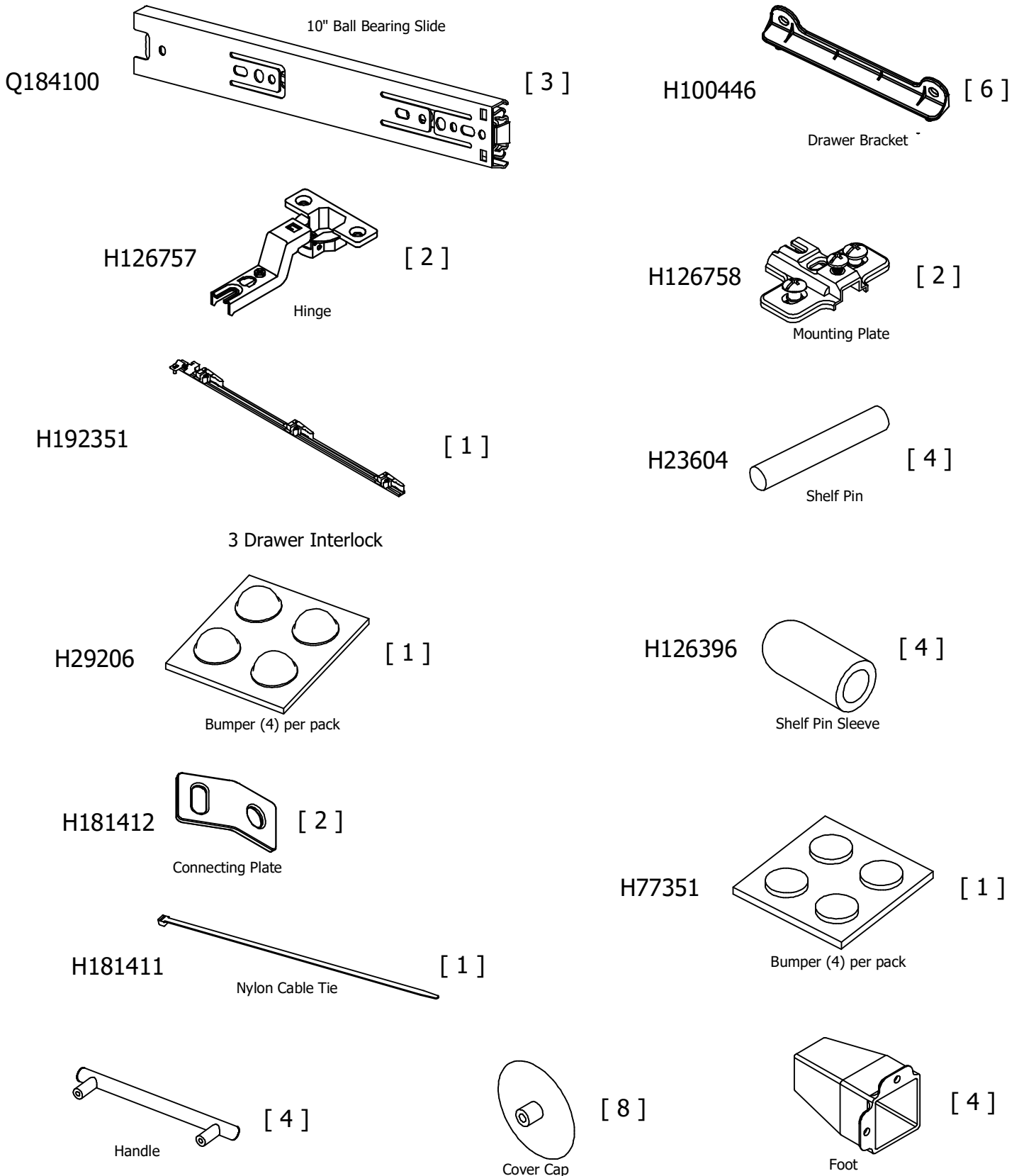
Have an assembly question or need a replacement part? Just call
1-800-950-4782, we are here to help.

Fasteners are shown actual size.



Have an assembly question or need a replacement part? Just call
1-800-950-4782, we are here to help.

Hardware not to scale.

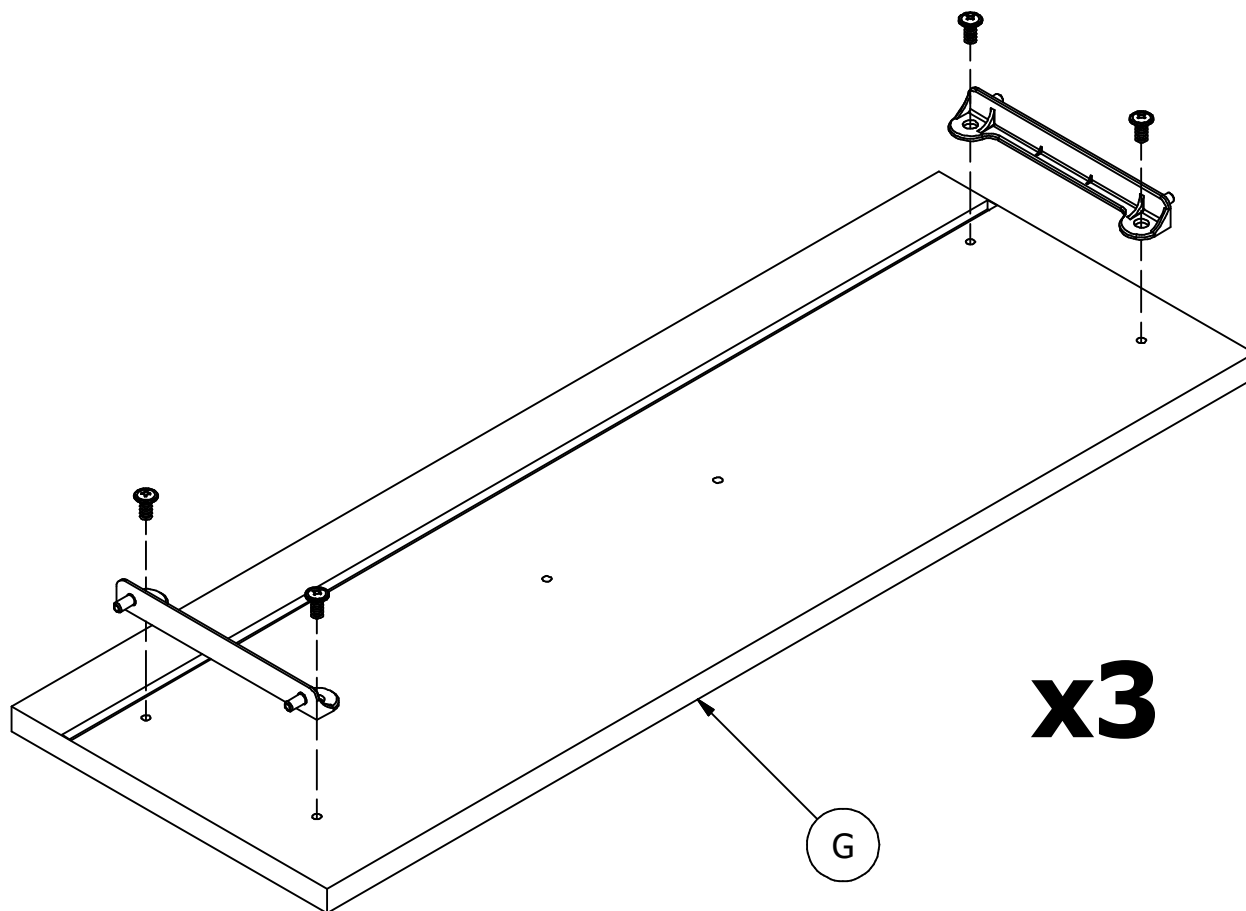
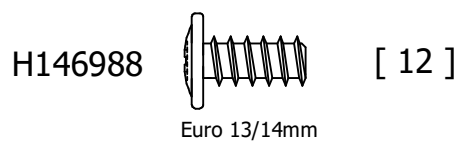
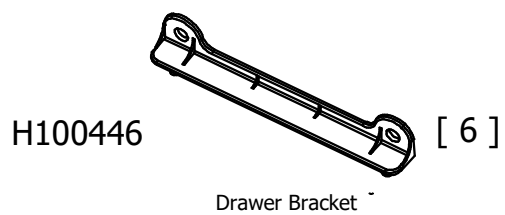


Have an assembly question or need a replacement part? Just call **1-800-950-4782**, we are here to help.

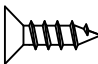
STEP 1

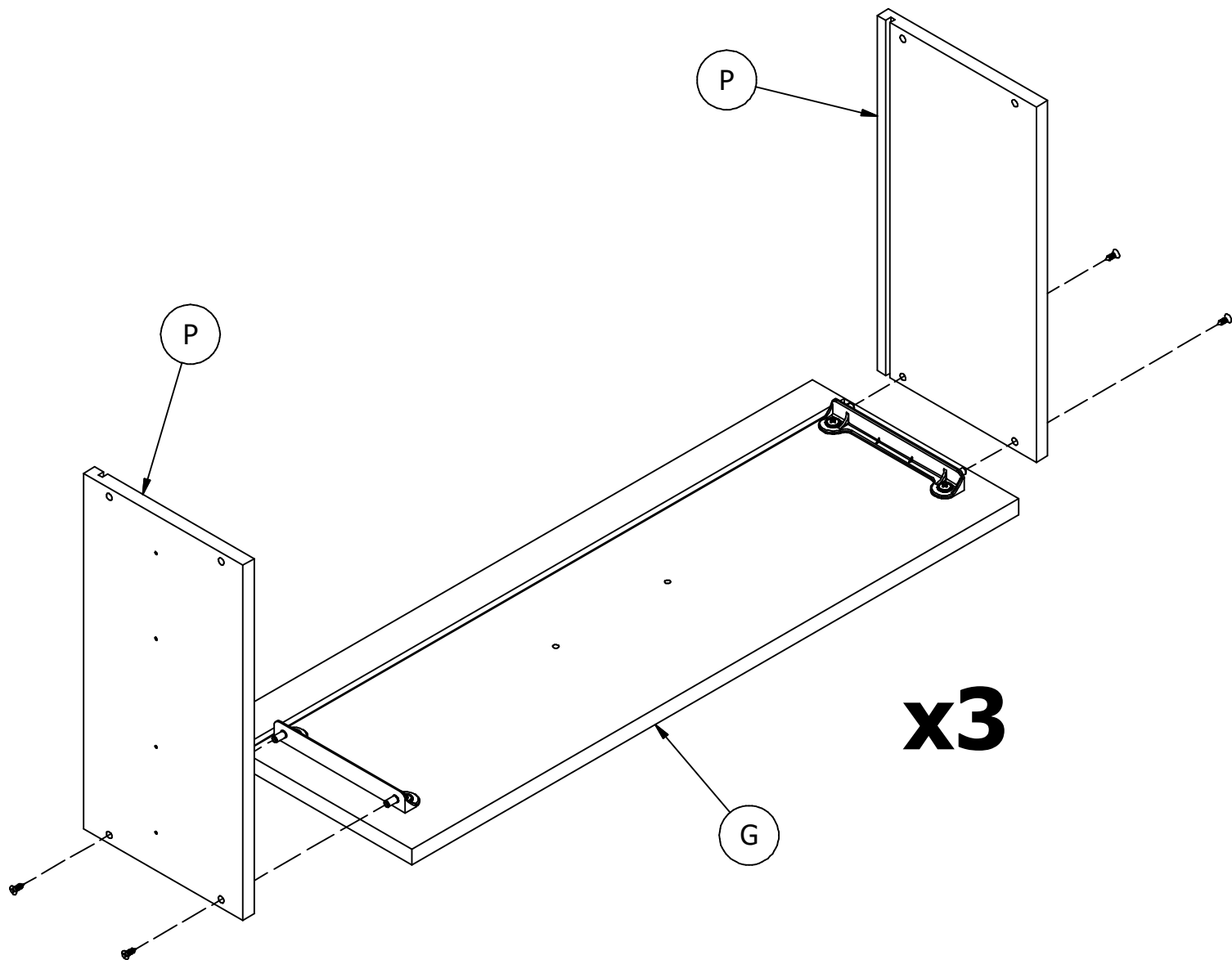
Prepare Panels

A206435A



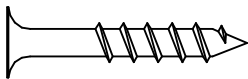
Have an assembly question or need a replacement part? Just call
1-800-950-4782, we are here to help.

H128624  [12]
#8 x .5"



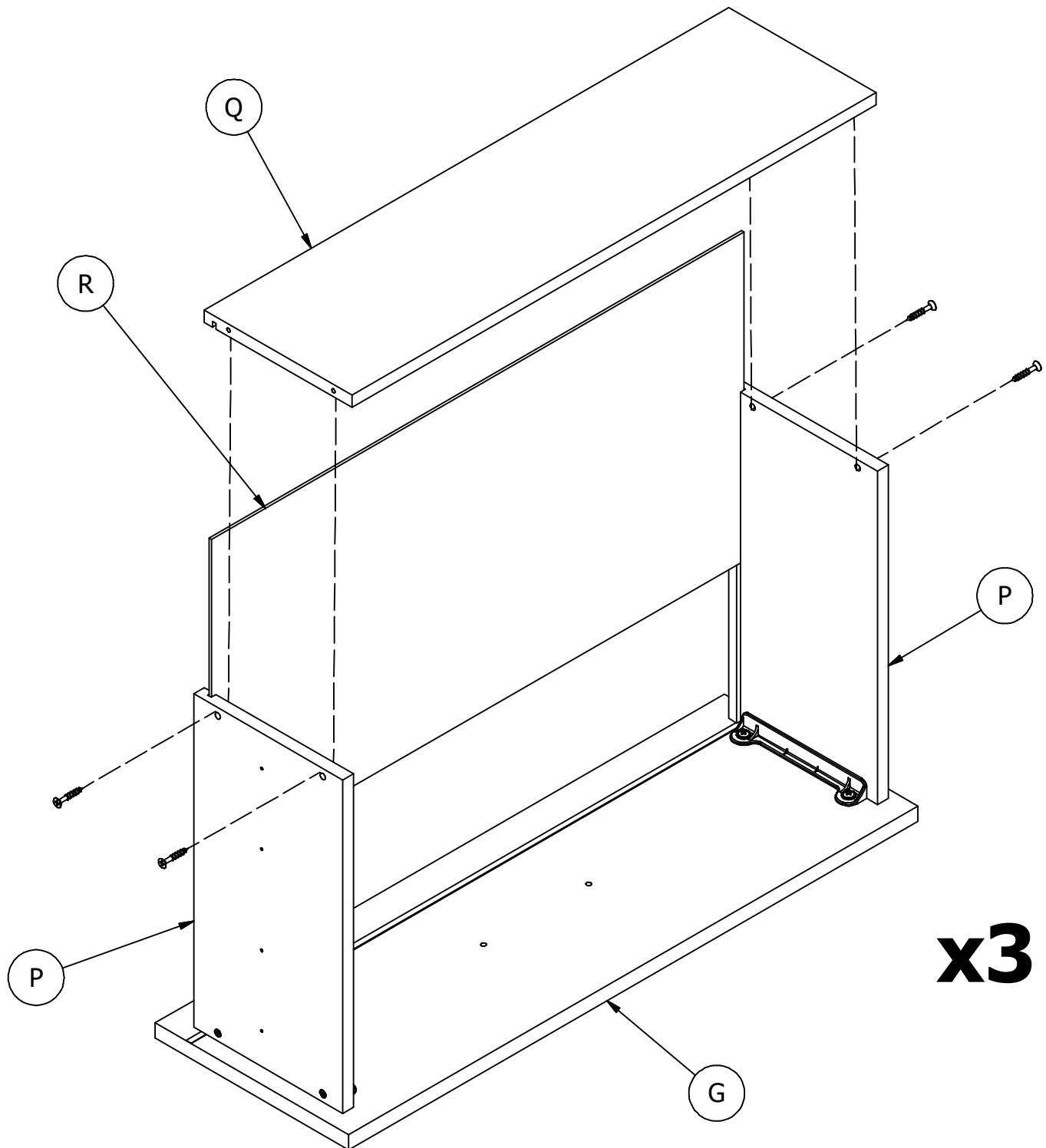
Have an assembly question or need a replacement part? Just call
1-800-950-4782, we are here to help.

H26053



#10 x 1-1/4"

[12]



x3

Have an assembly question or need a replacement part? Just call
1-800-950-4782, we are here to help.

Scan QR Code to
Watch Video on:

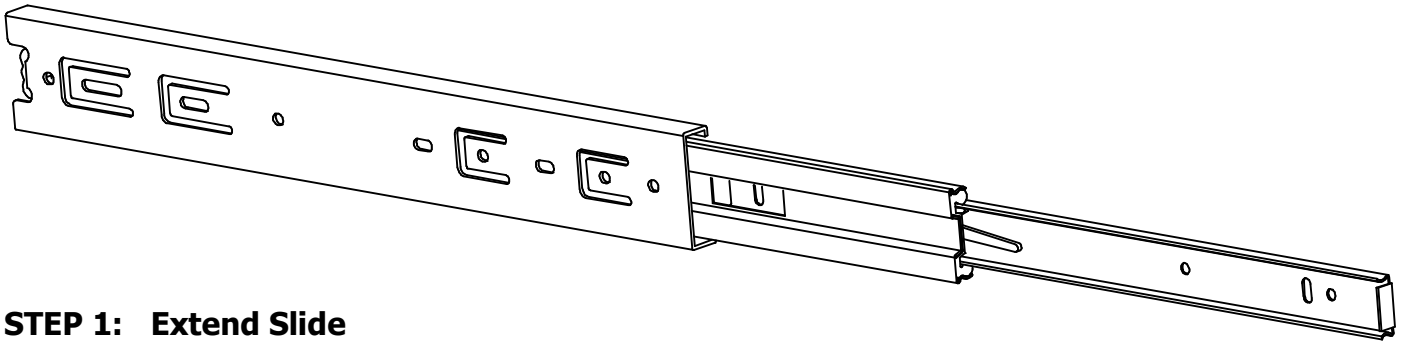


How to Separate
and Install Drawer
Slides

**Slides Must Be Separated Before Assembly.
After Separated, Set Aside Until Needed for Assembly.**

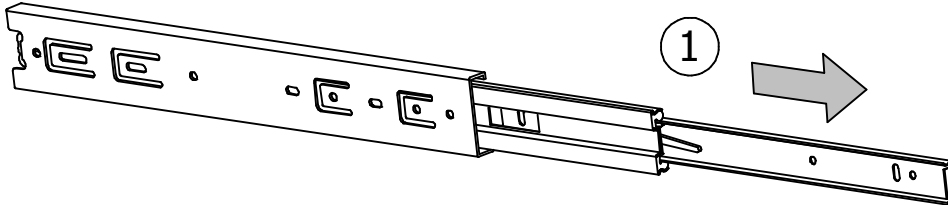
Las diapositivas deben separarse antes del montaje.
Después de la separación, déjelo a un lado hasta que sea necesario.

Les glissières doivent être séparées avant l'assemblage.
Après la séparation, mettez de côté jusqu'au moment de l'assemblage.



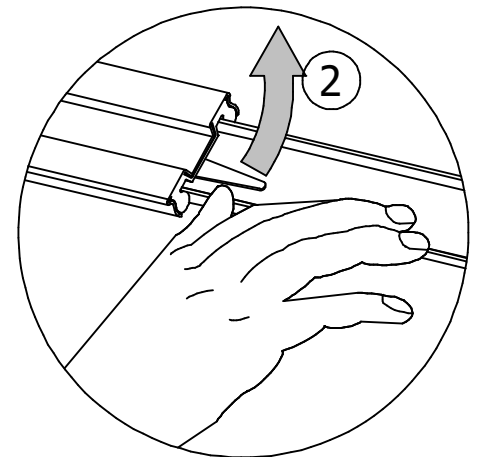
STEP 1: Extend Slide

Extender la diapositiva
Extendre la diapositive



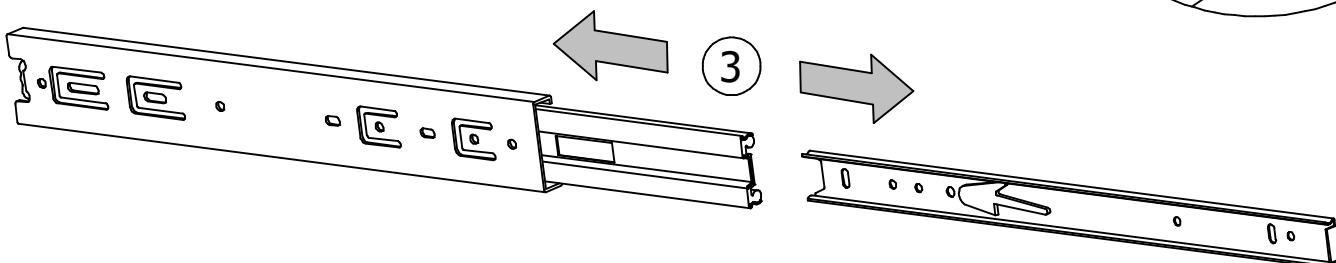
STEP 2: Push Lever UP

Empujar hacia arriba
Lever le levier



STEP 3: Remove Runner

Quitar el corredor
Enlever le coureur

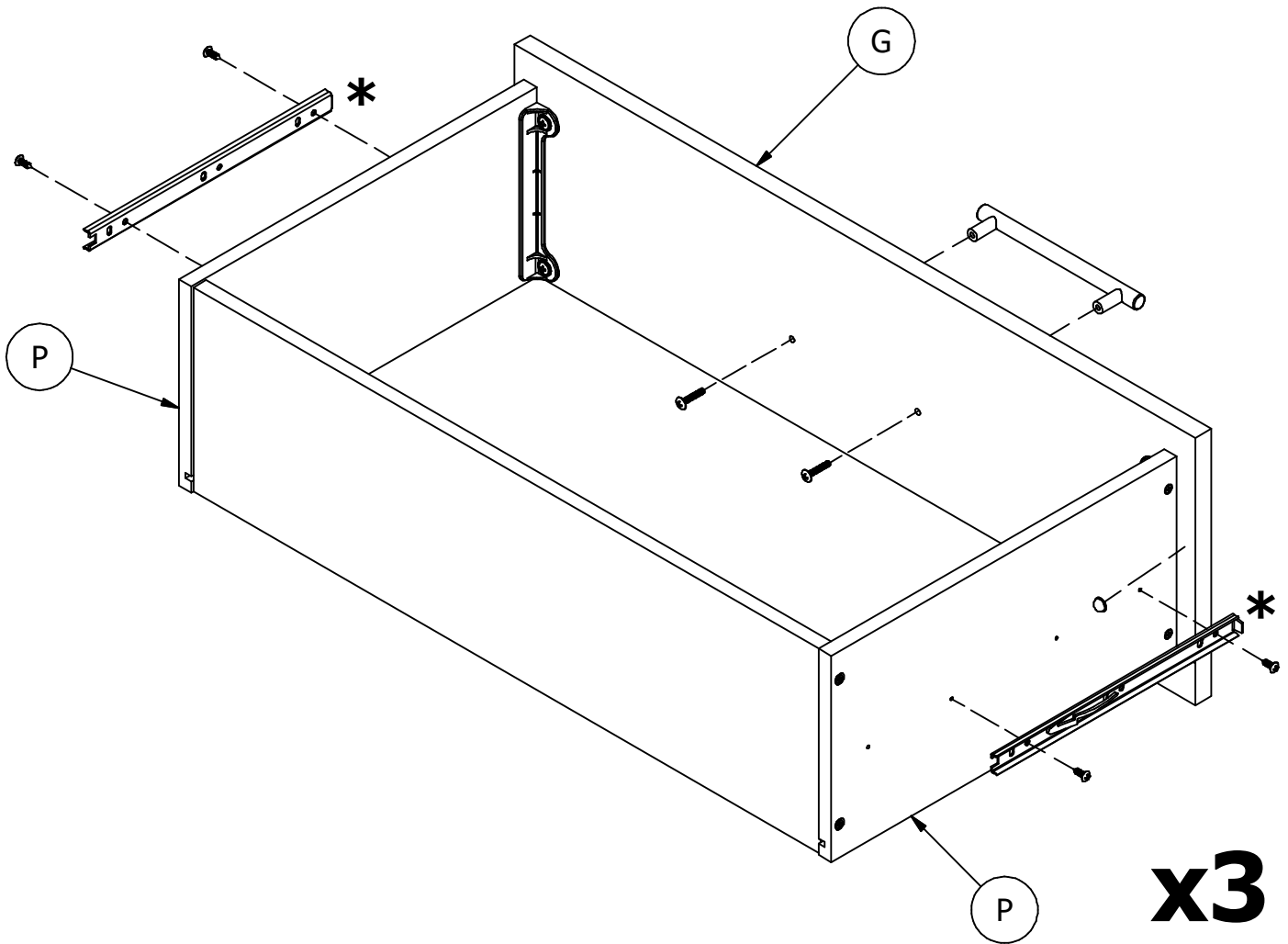
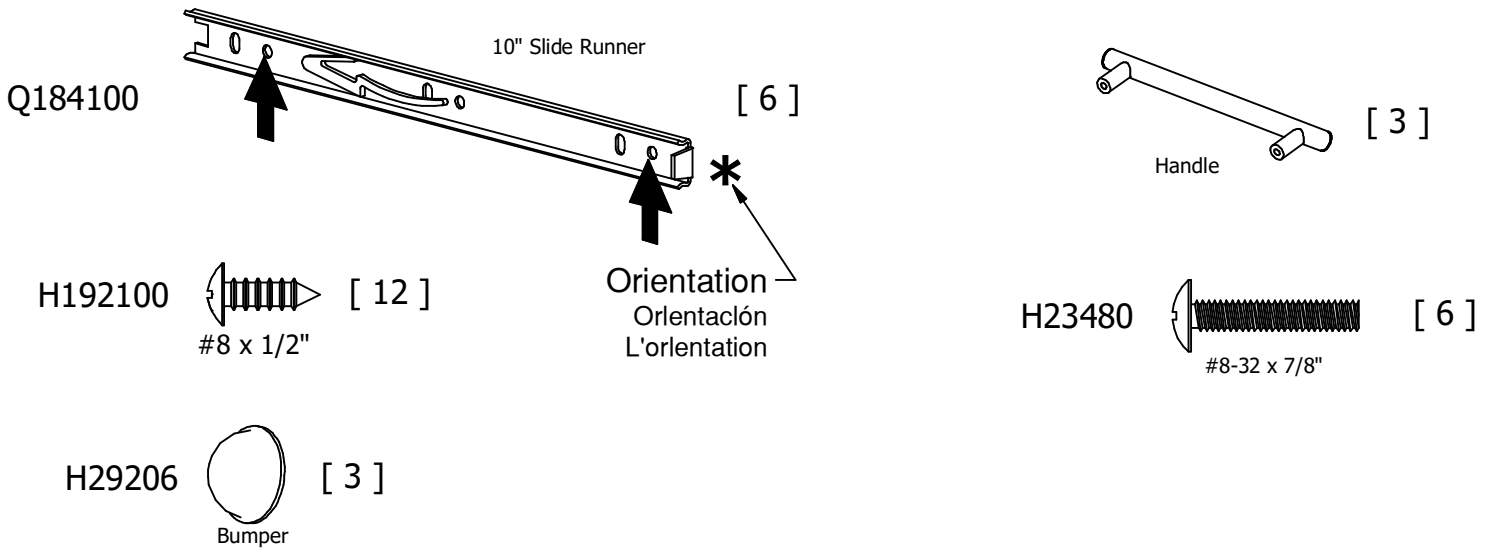


Have an assembly question or need a replacement part? Just call
1-800-950-4782, we are here to help.

STEP 5

Attach Hardware

A206435A

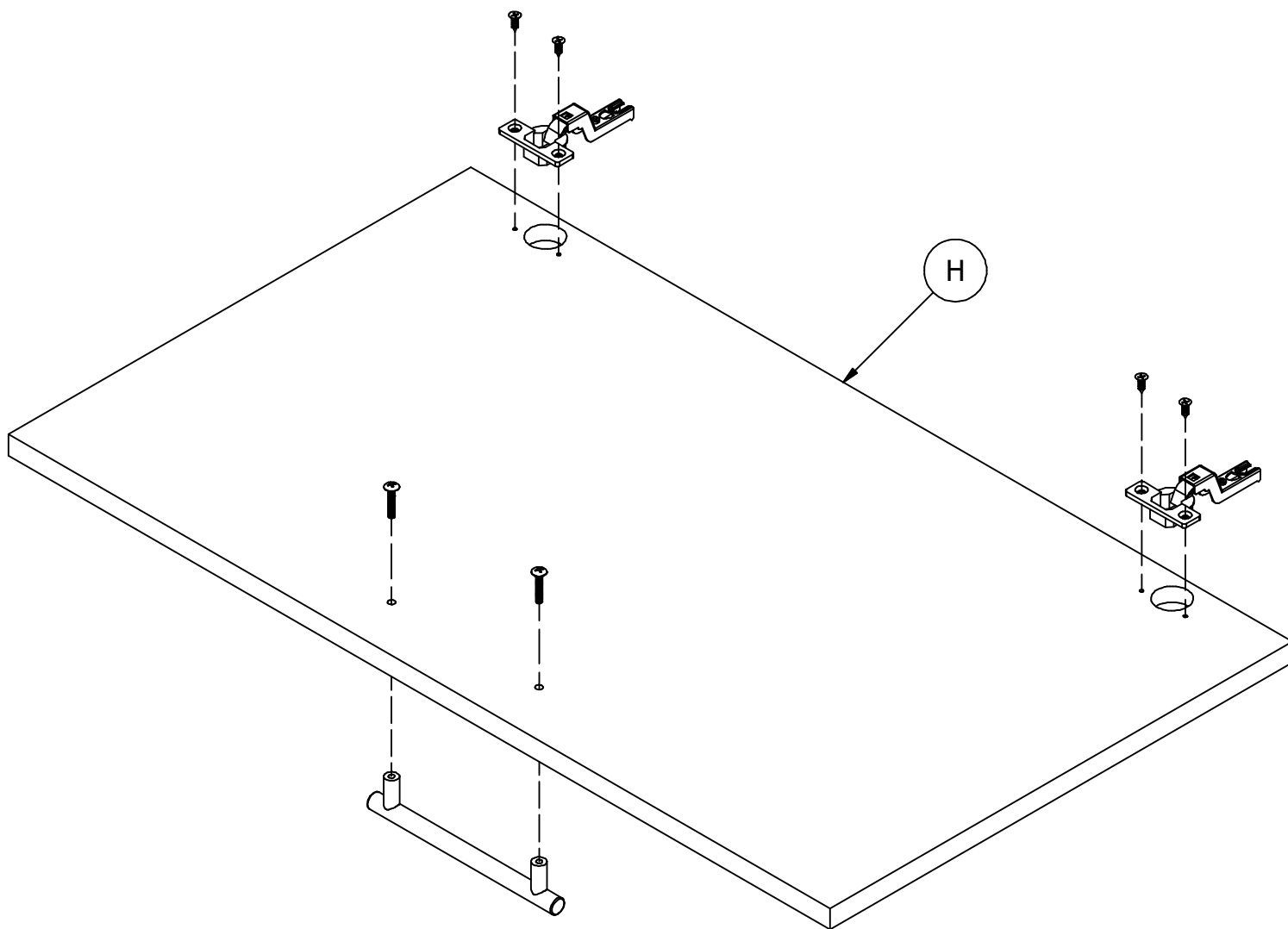
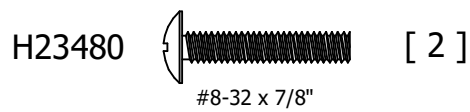
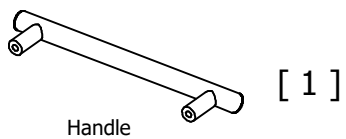
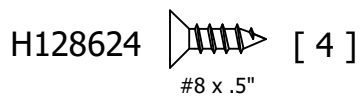
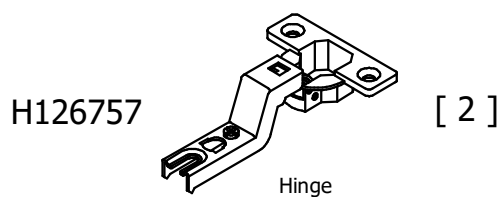


Have an assembly question or need a replacement part? Just call
1-800-950-4782, we are here to help.

STEP 6

Prepare Panel

A206435A



Have an assembly question or need a replacement part? Just call
1-800-950-4782, we are here to help.

STEP 7

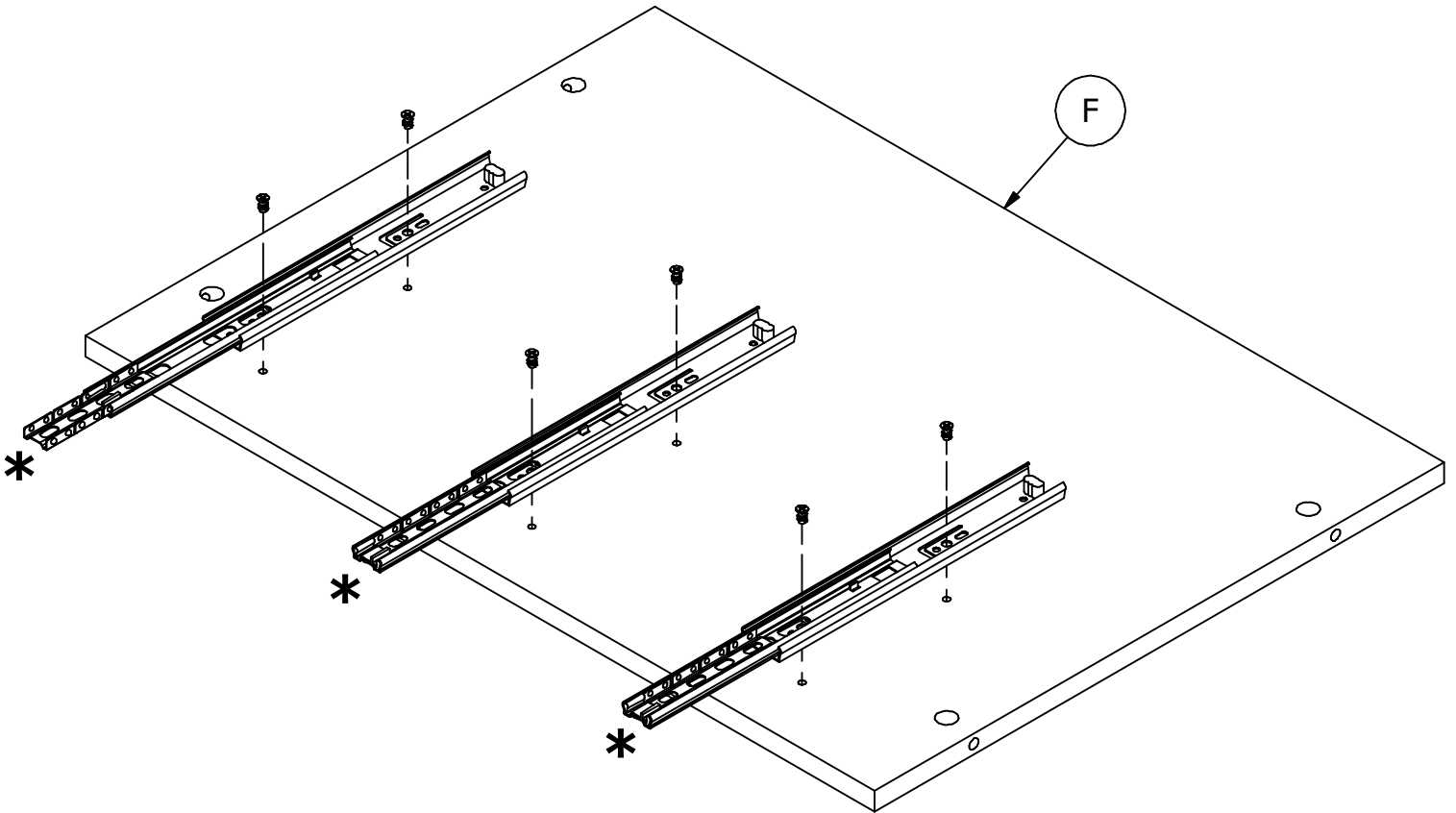
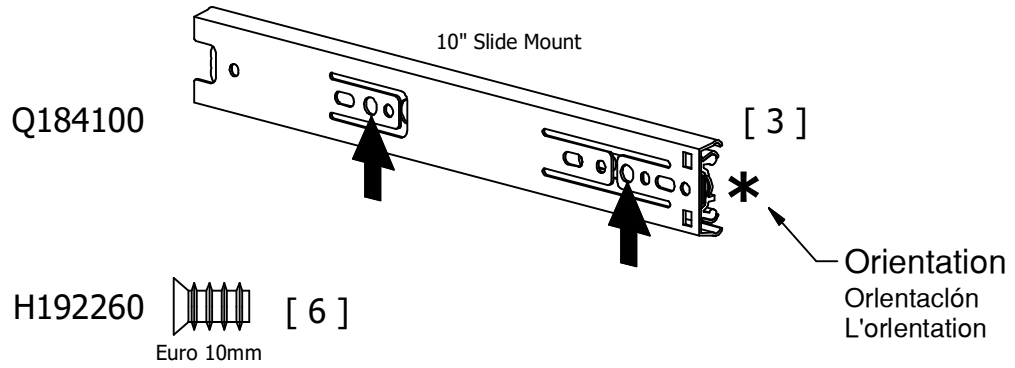
Prepare Panel

A206435A

Scan QR Code to Watch Video on:



How to Separate and Install Drawer Slides



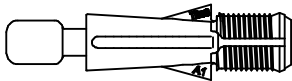
Have an assembly question or need a replacement part? Just call **1-800-950-4782**, we are here to help.

STEP 8

Prepare Panels / Rails

A206435A

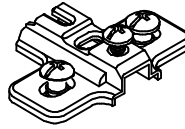
H171556



Quickfit TL4

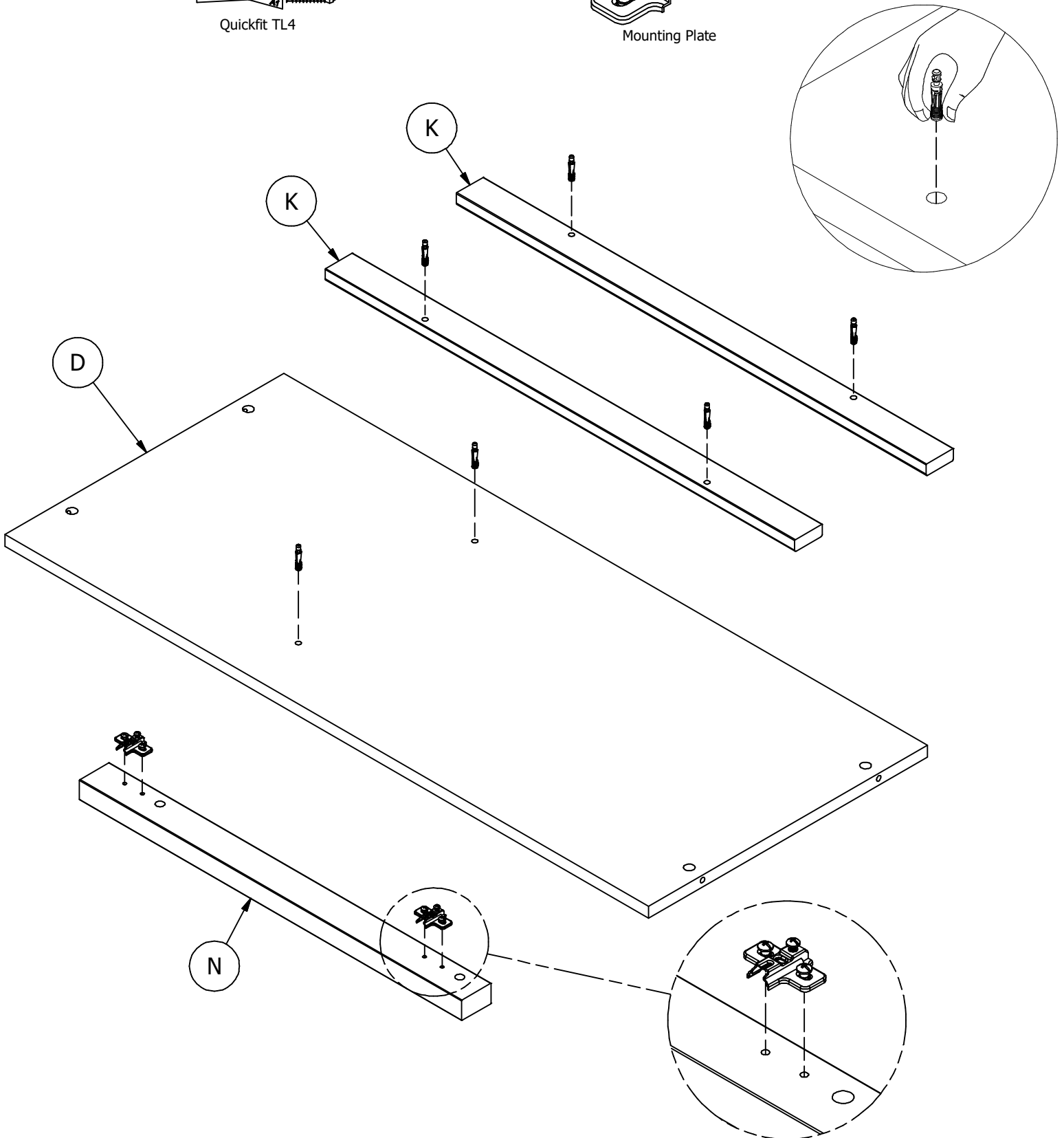
[6]

H126758



Mounting Plate

[2]



Have an assembly question or need a replacement part? Just call
1-800-950-4782, we are here to help.

STEP 9

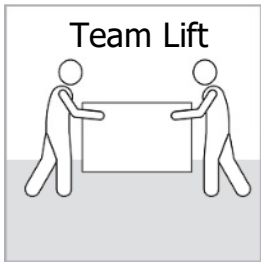
Assemble Panels

A206435A

Scan QR Code to Watch Video on:



How to Tighten KD Cams

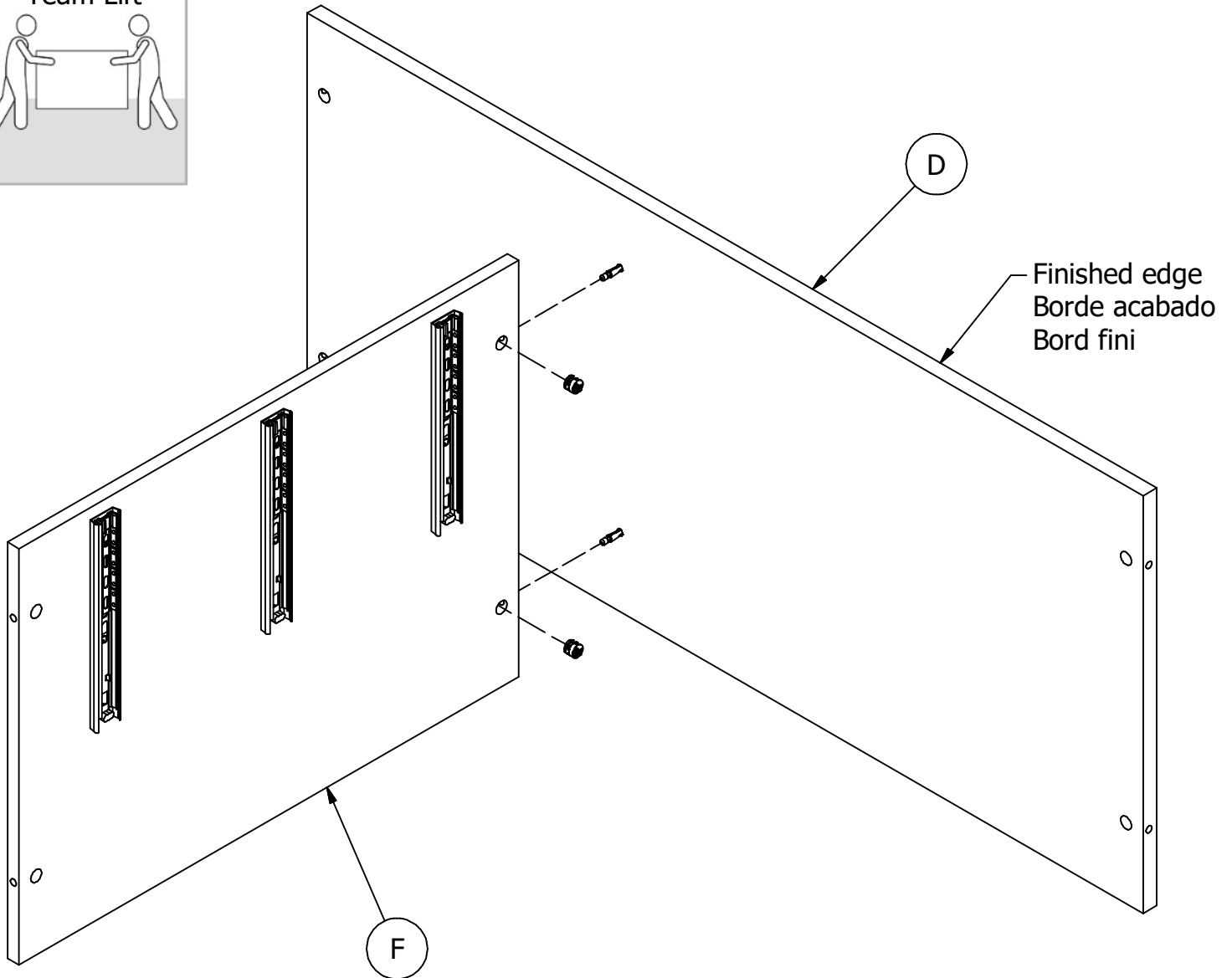
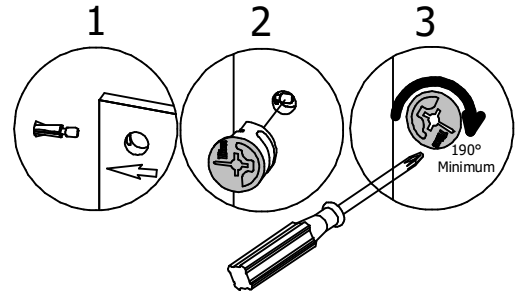


H181468US



KD Cam3000

[2]



Have an assembly question or need a replacement part? Just call **1-800-950-4782**, we are here to help.

STEP 10

Prepare / Assemble Panels

A206435A

Scan QR Code to Watch Video on:



How to Tighten KD Cams

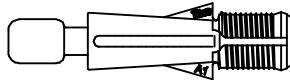
H181468US



[2]

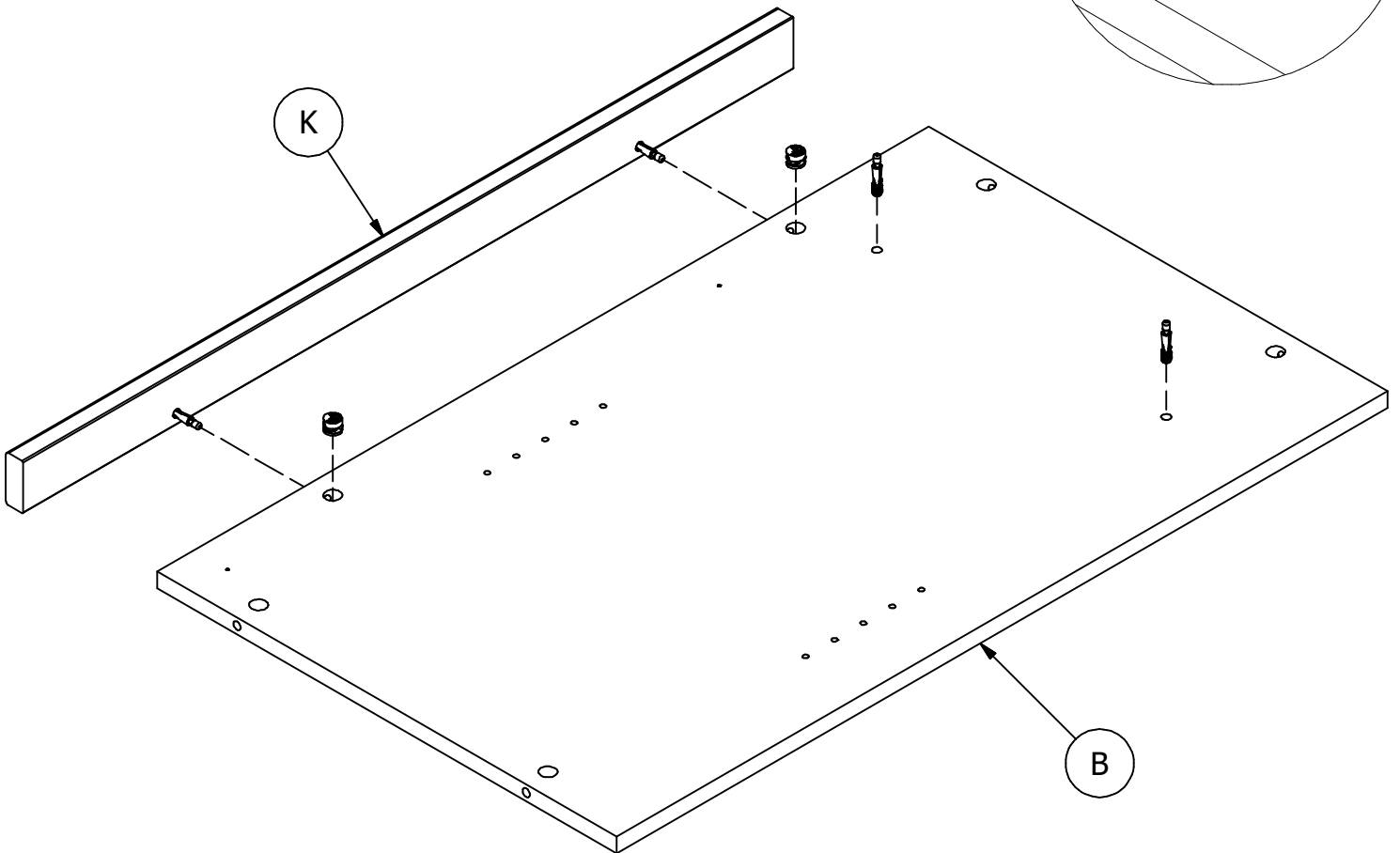
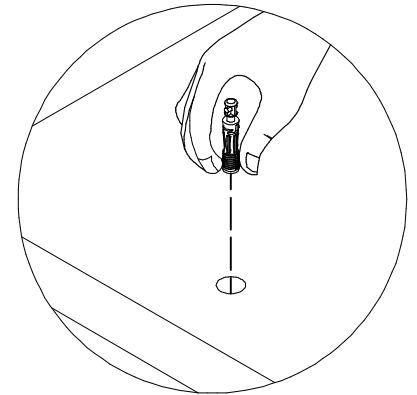
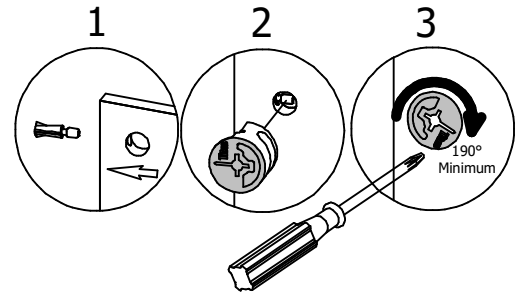
KD Cam3000

H171556




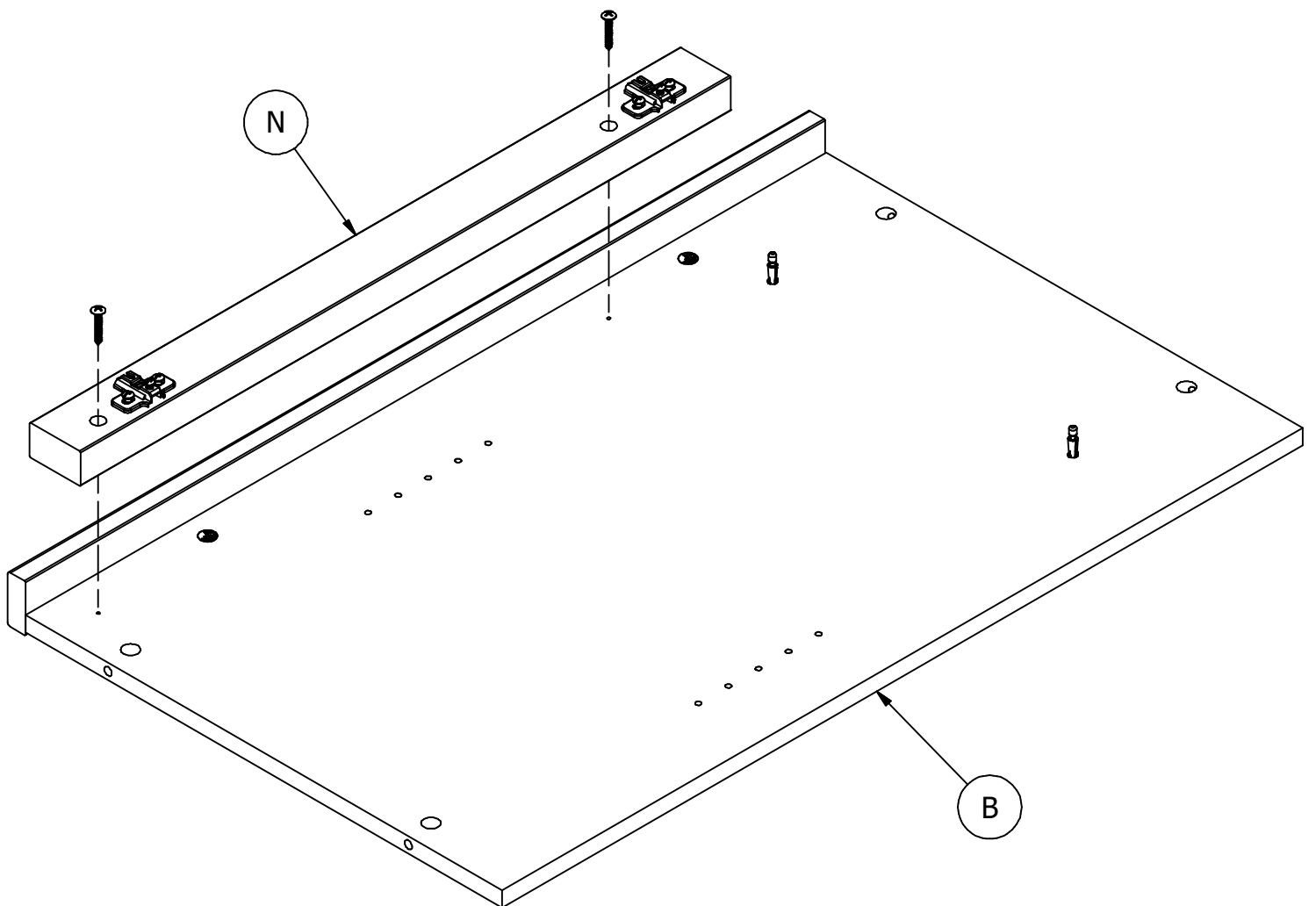
[2]

Quickfit TL4



Have an assembly question or need a replacement part? Just call **1-800-950-4782**, we are here to help.

H23370  [2]
#10 x 1-1/4"



Have an assembly question or need a replacement part? Just call
1-800-950-4782, we are here to help.

STEP 12

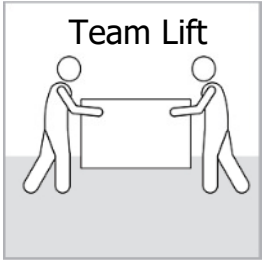
Assemble Panels

A206435A

Scan QR Code to Watch Video on:



How to Tighten KD Cams

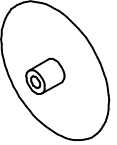


H181468US



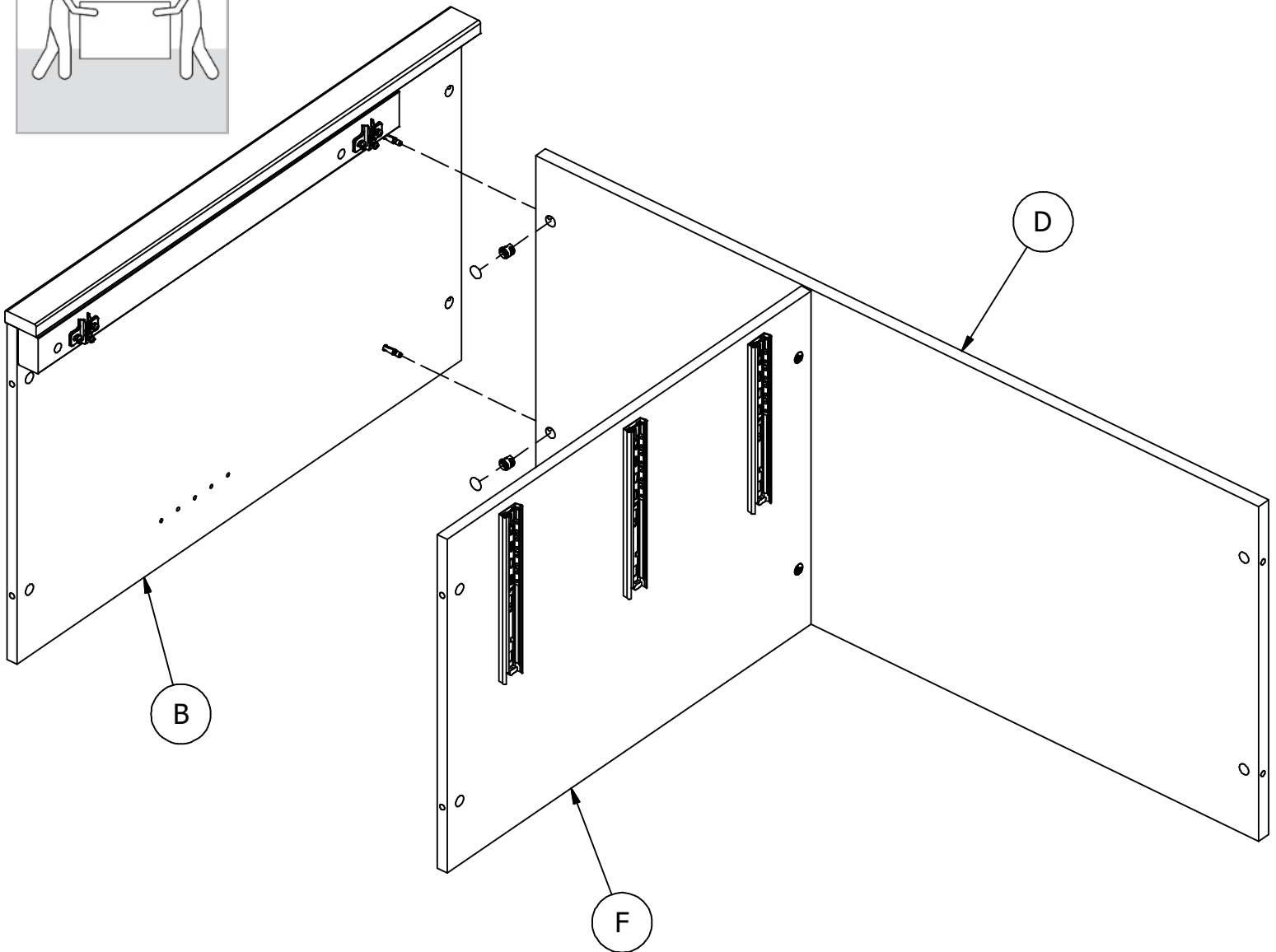
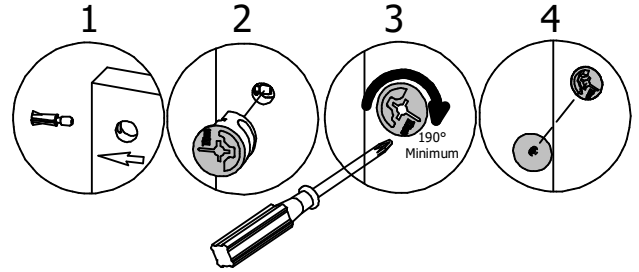
[2]

KD Cam3000



[2]

Cover Cap



Have an assembly question or need a replacement part? Just call **1-800-950-4782**, we are here to help.

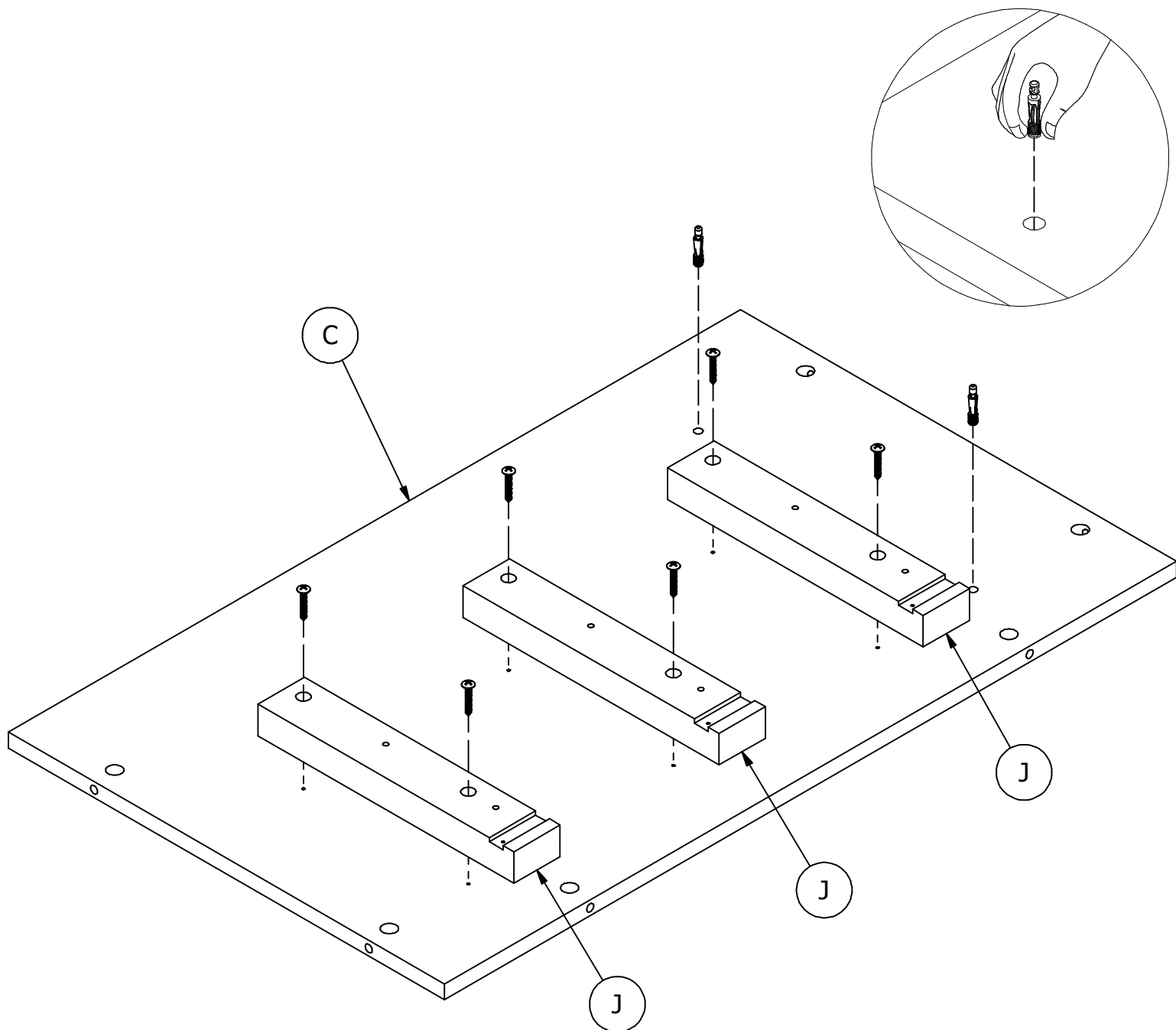
STEP 13

Prepare Panel

A206435A

H23370 [6]
#10 x 1-1/4"

H171556 [2]
Quickfit TL4



Have an assembly question or need a replacement part? Just call
1-800-950-4782, we are here to help.

Scan QR Code to Watch Video on:

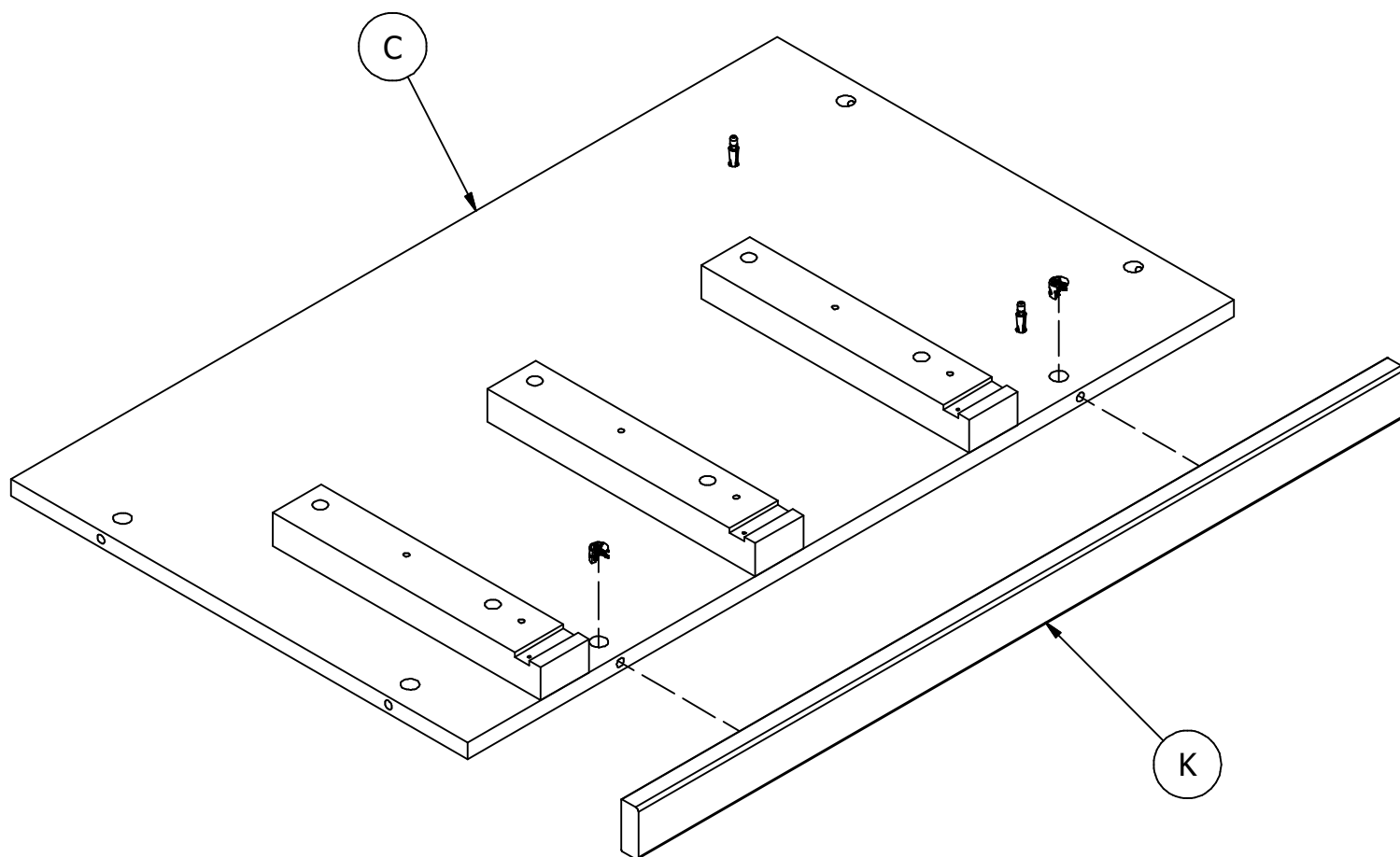
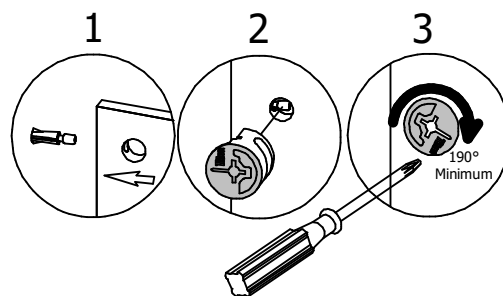


How to Tighten KD Cams

H181468US



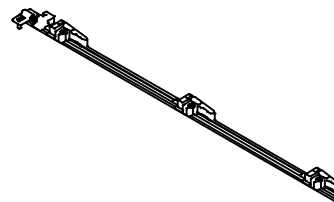
[2]



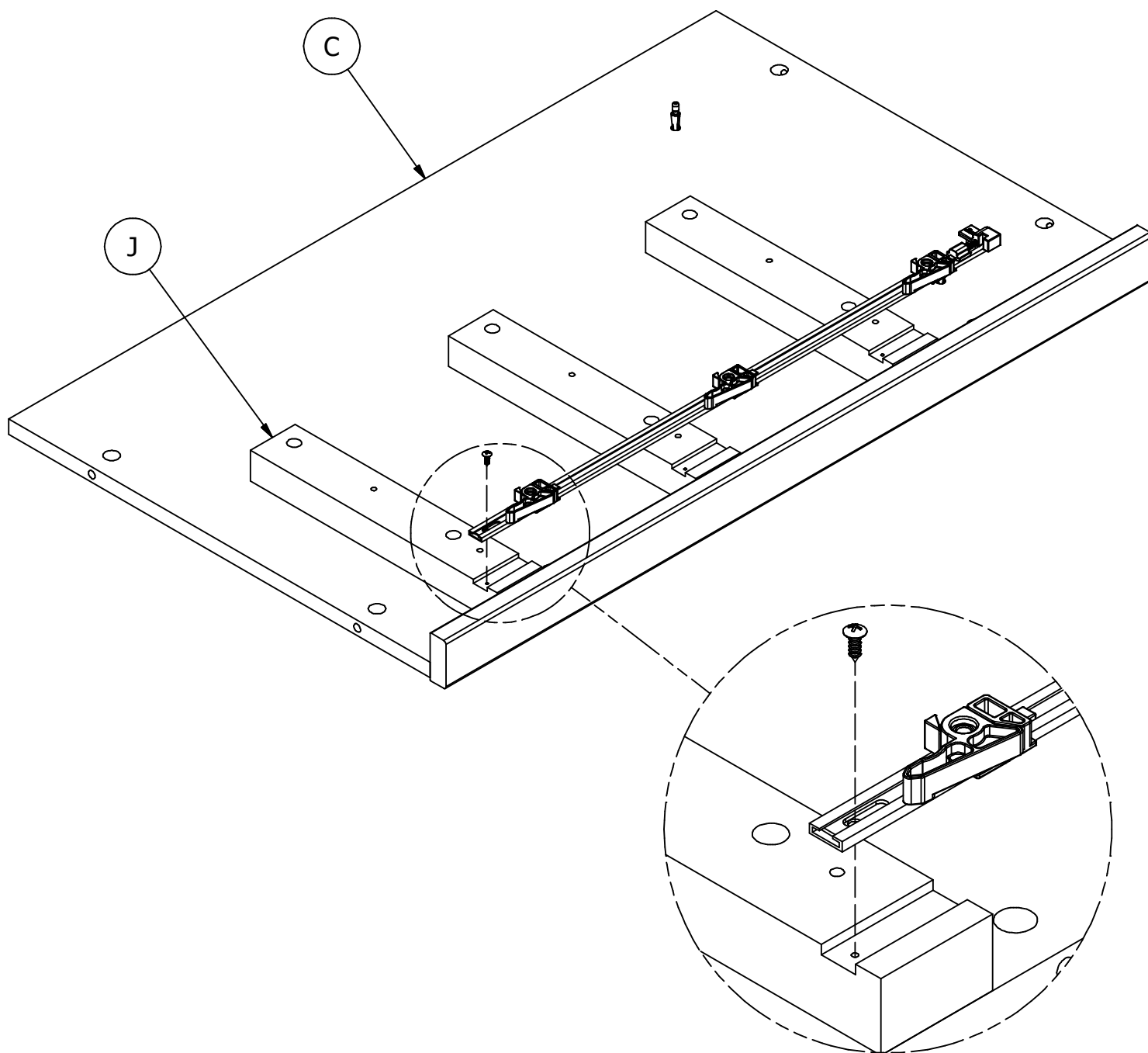
Have an assembly question or need a replacement part? Just call **1-800-950-4782**, we are here to help.

H192100 [1]
#8 x 1/2"

H192351 [1]



3 Drawer Interlock



Have an assembly question or need a replacement part? Just call
1-800-950-4782, we are here to help.

*** Q184100** 10" Slide Mount [3]

H192260 Euro 10mm [6]

Orientation
Orientación
L'orientation

1. All levers closed.
Todas las palancas cerradas.
Tous les leviers sont fermés.

2. Push slide through lever.
Empuje la corredera a través de la palanca.
Poussez la glissière à travers le levier.

3. Install screw.
Instale el tornillo.
Installez la vis.

3. Install screw.
Instale el tornillo.
Installez la vis.

4. Push slide in (1), close lever (2).
Empuje la corredera hacia adentro (1), cierre la palanca (2).
Poussez la glissière (1), fermez le levier (2).

5. Repeat 3x
Repetir 3x
Répétez 3x

Have an assembly question or need a replacement part? Just call
1-800-950-4782, we are here to help.

STEP 17

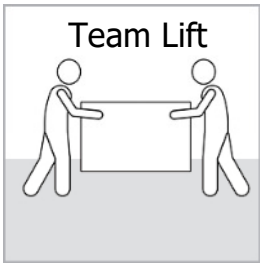
Assemble Panels

A206435A

Scan QR Code to Watch Video on:



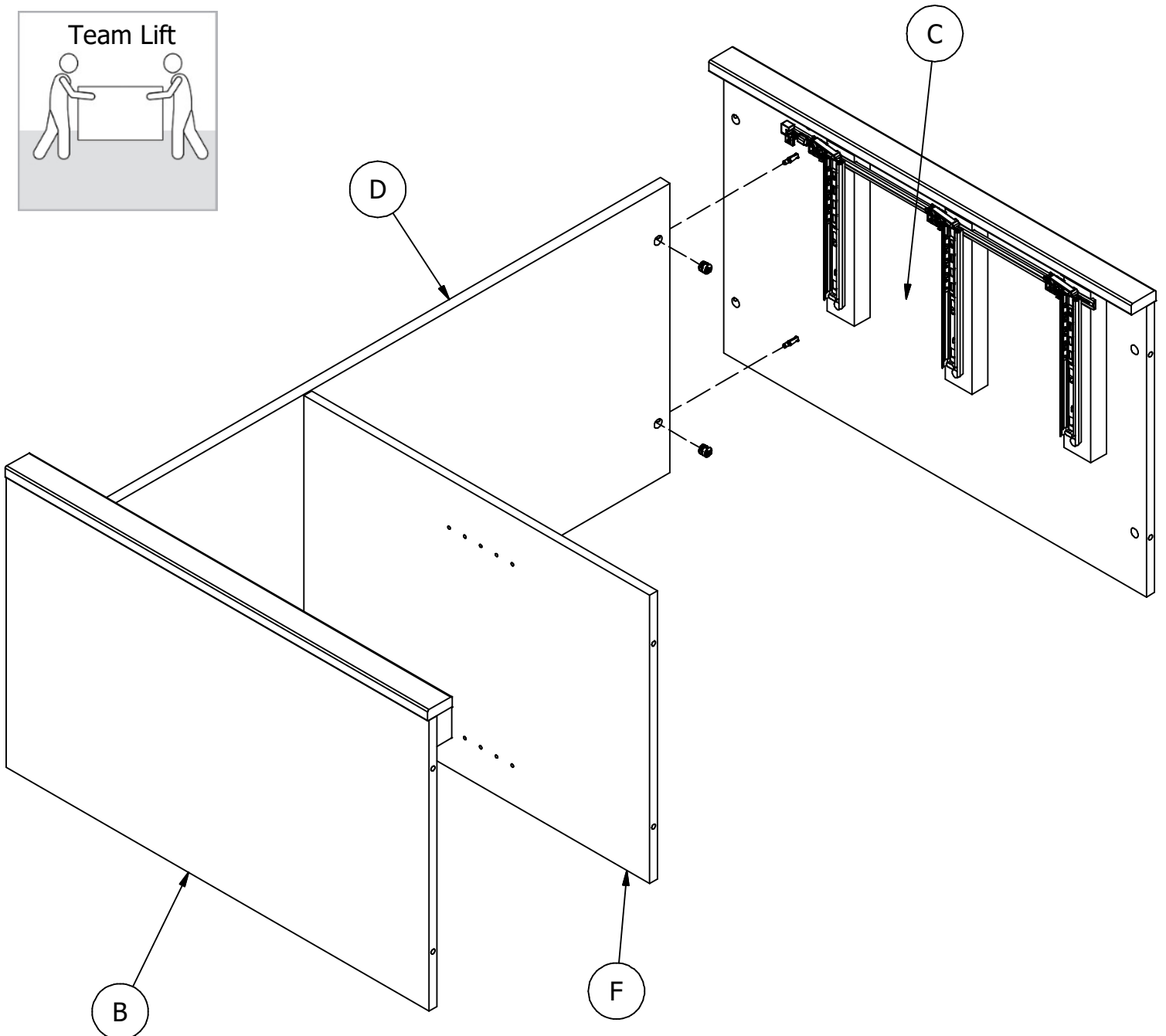
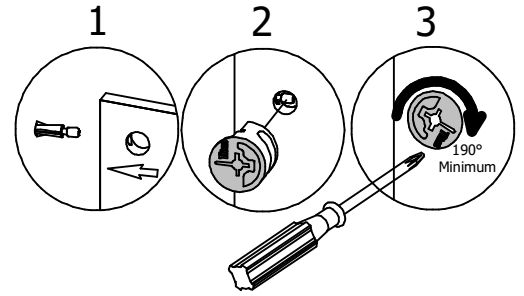
How to Tighten KD Cams



H181468US



[2]

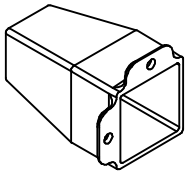


Have an assembly question or need a replacement part? Just call **1-800-950-4782**, we are here to help.

STEP 18

Prepare Panel

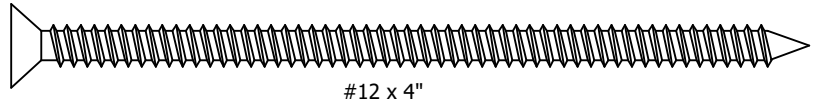
A206435A



[4]

Foot

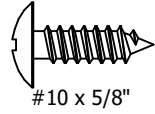
H143460



[4]

#12 x 4"

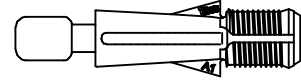
H23119
(Black)



[8]

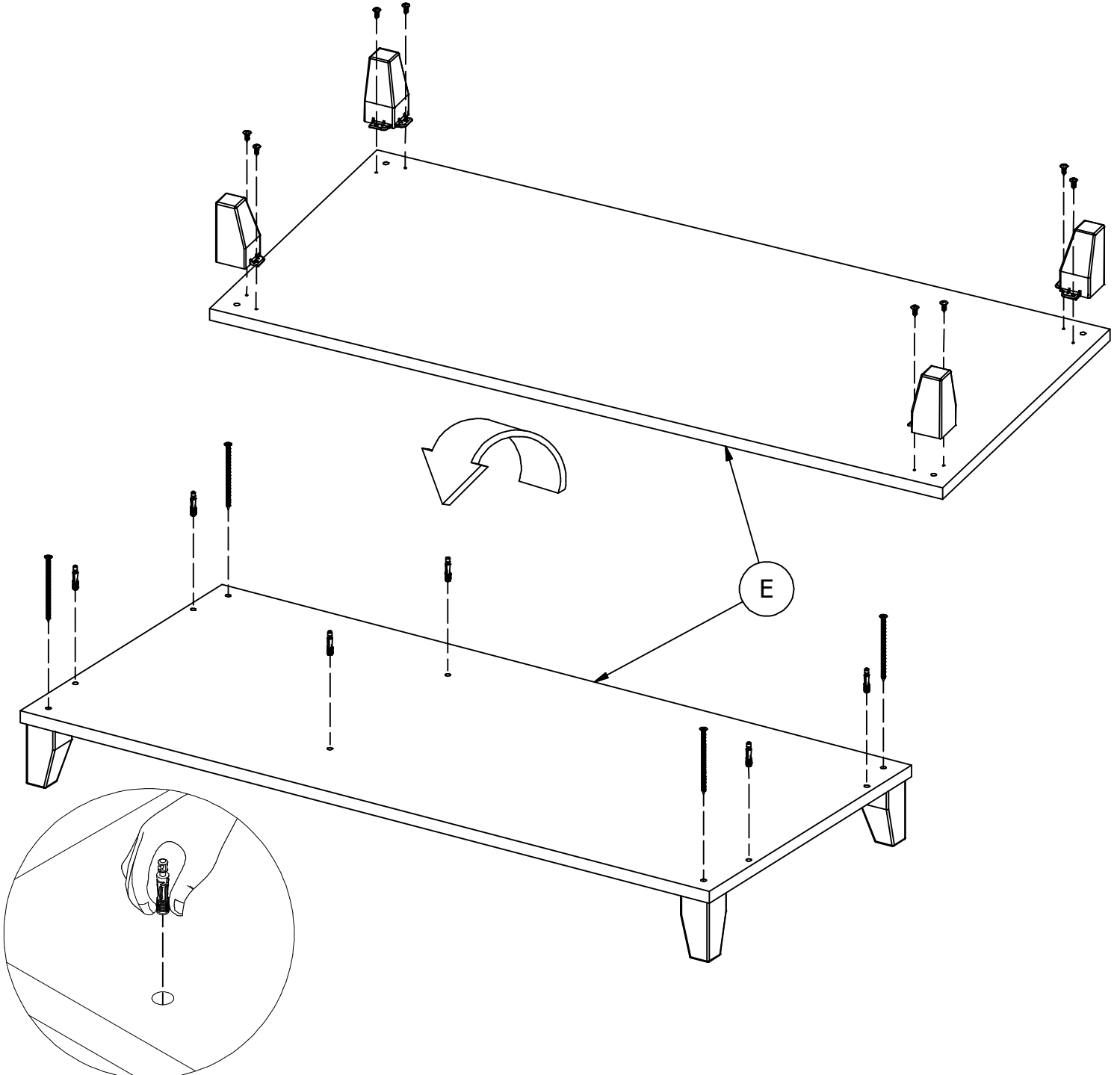
#10 x 5/8"

H171556



[6]

Quickfit TL4



Have an assembly question or need a replacement part? Just call
1-800-950-4782, we are here to help.

STEP 19

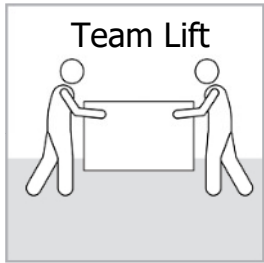
Assemble Panels

A206435A

Scan QR Code to Watch Video on:



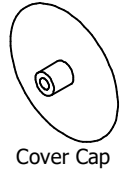
How to Tighten KD Cams



H181468US

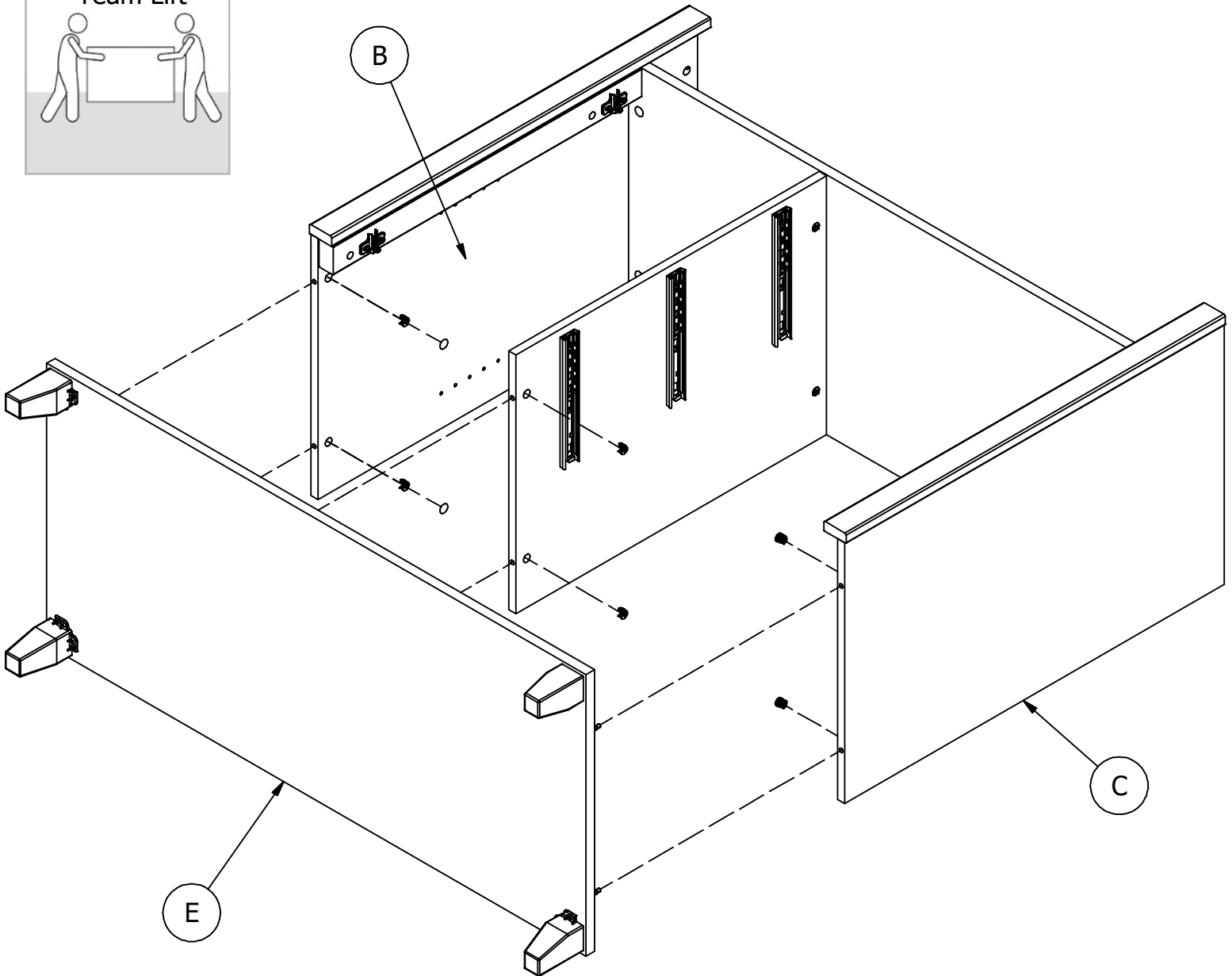
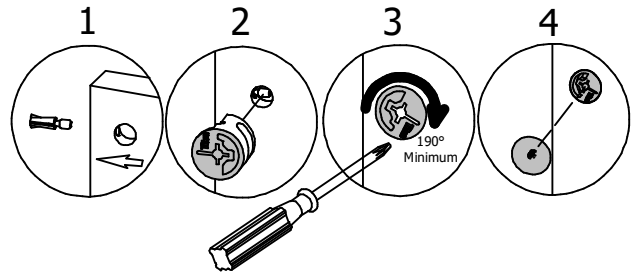


[6]



[2]

Cover Cap



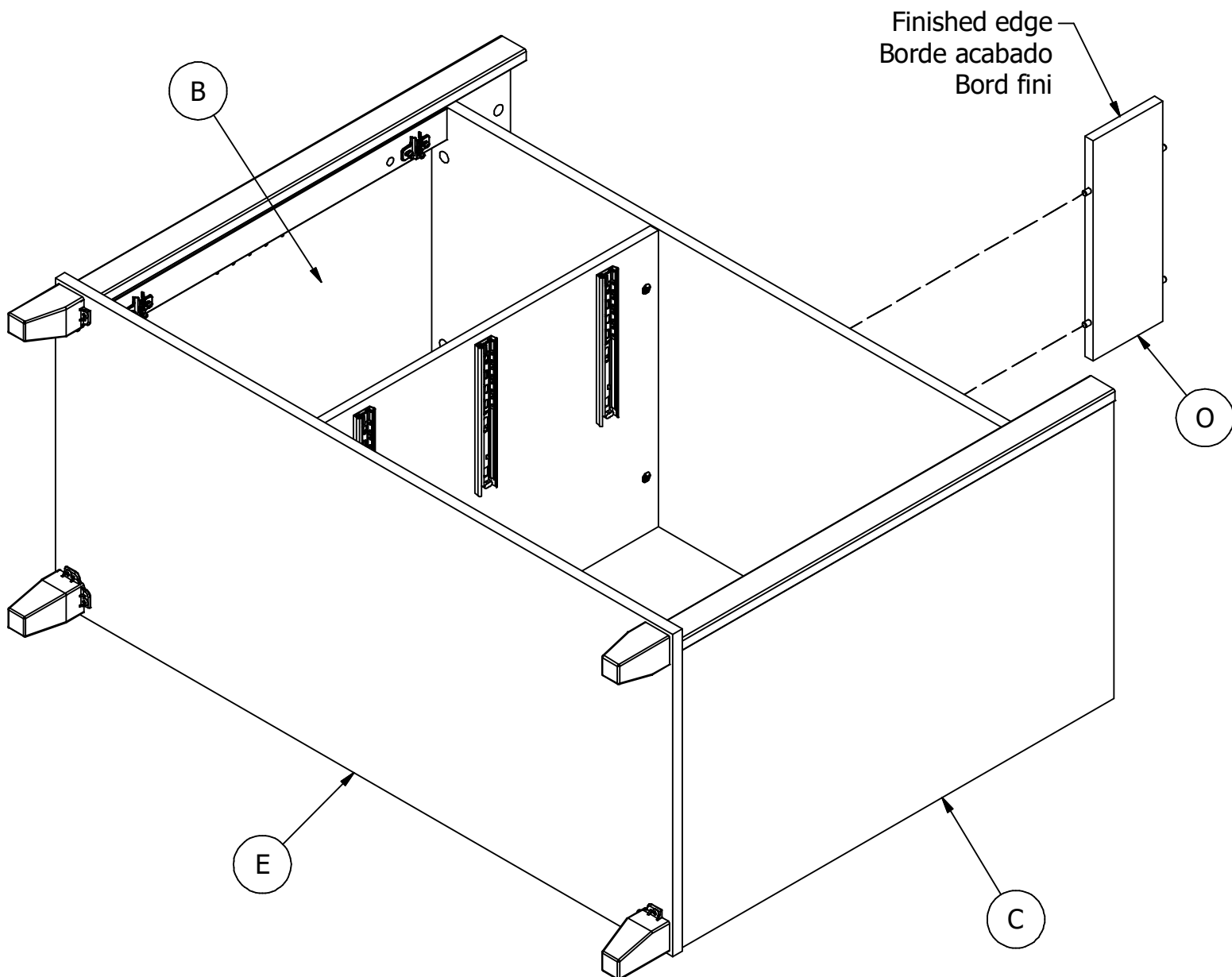
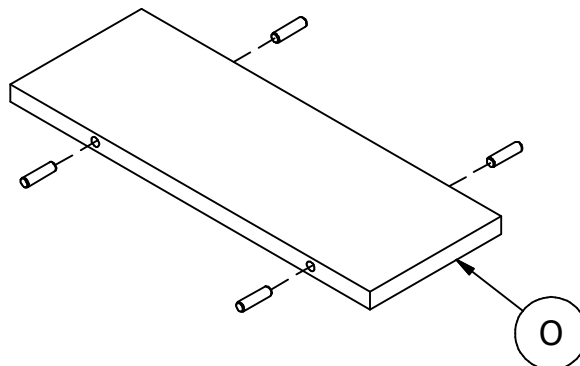
Have an assembly question or need a replacement part? Just call **1-800-950-4782**, we are here to help.

H38169



[4]

Wood Dowel 8 x 30



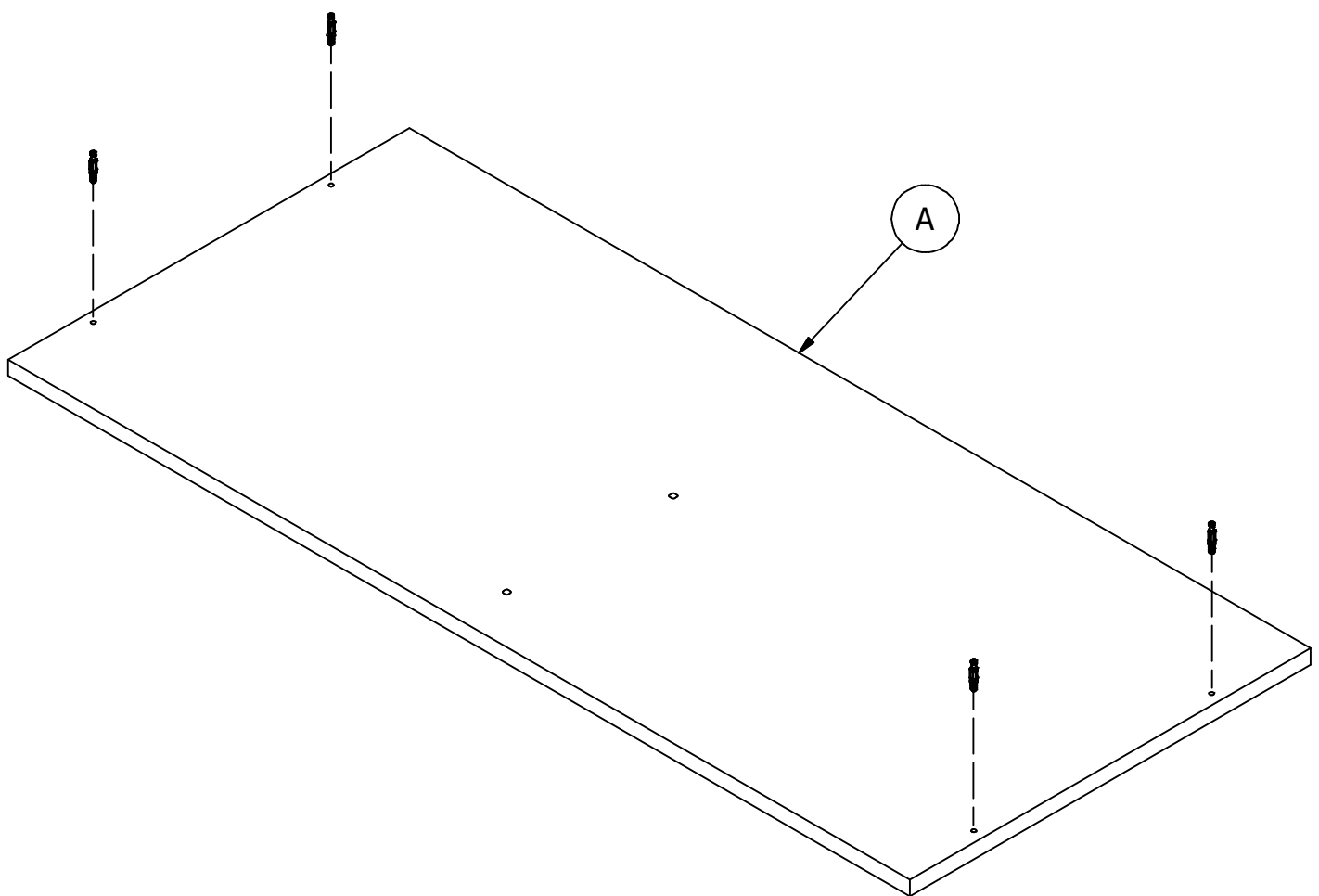
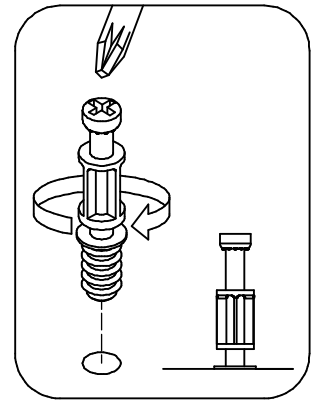
Have an assembly question or need a replacement part? Just call
1-800-950-4782, we are here to help.

STEP 21

Prepare Panel

A206435A

H72988 [4]
KD Bolt



Have an assembly question or need a replacement part? Just call
1-800-950-4782, we are here to help.

STEP 22

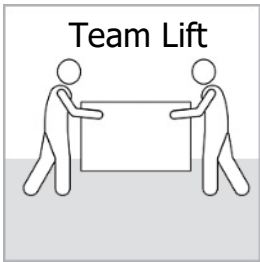
Assemble Panels

A206435A

Scan QR Code to Watch Video on:



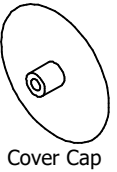
How to Tighten KD Cams



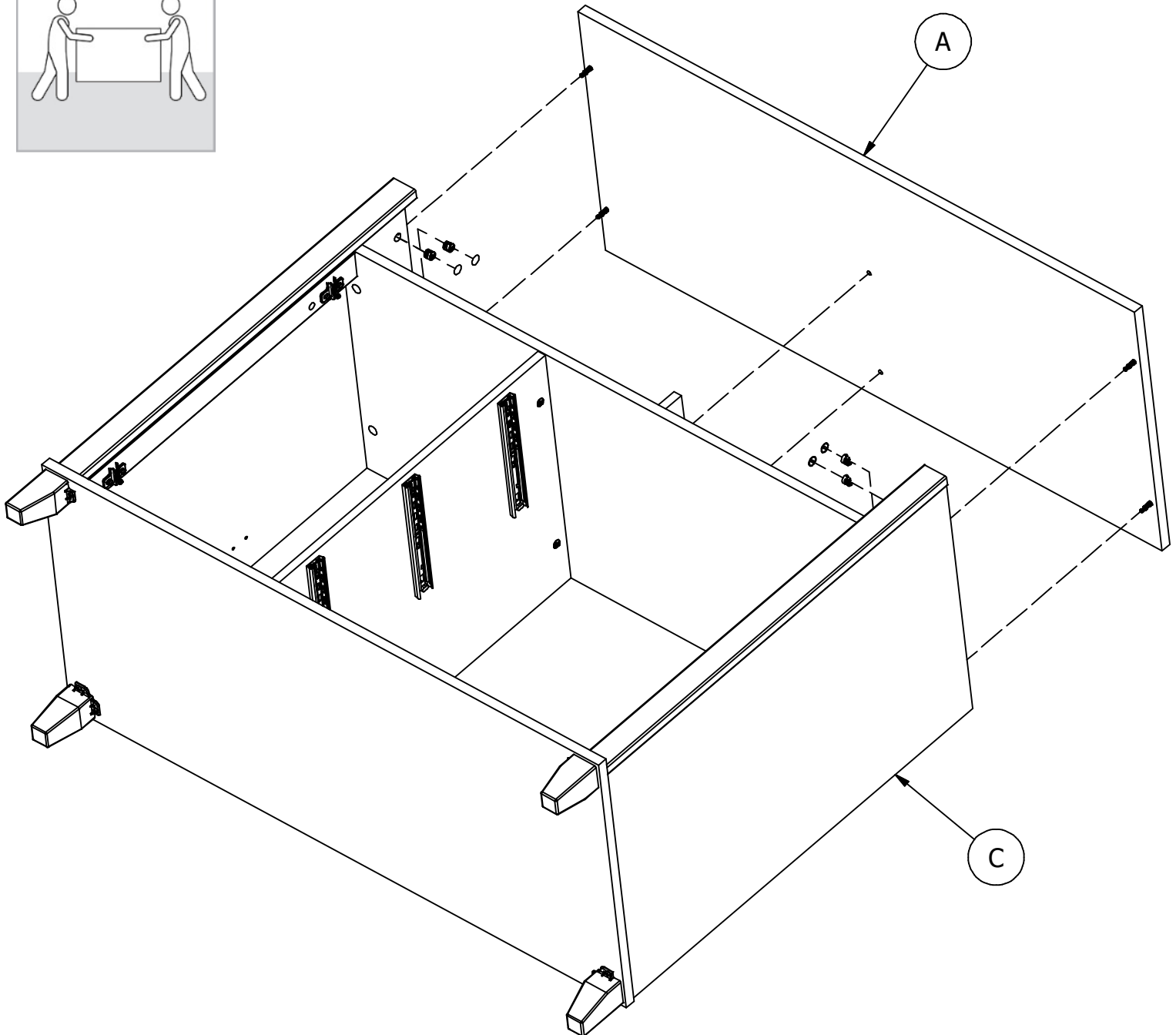
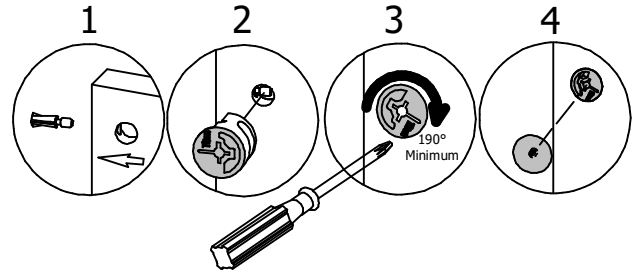
H181468US



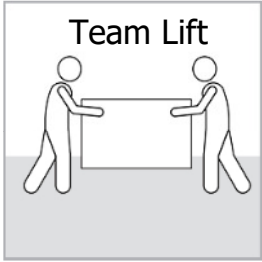
[4]



[4]

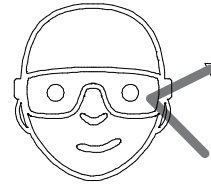


Have an assembly question or need a replacement part? Just call **1-800-950-4782**, we are here to help.



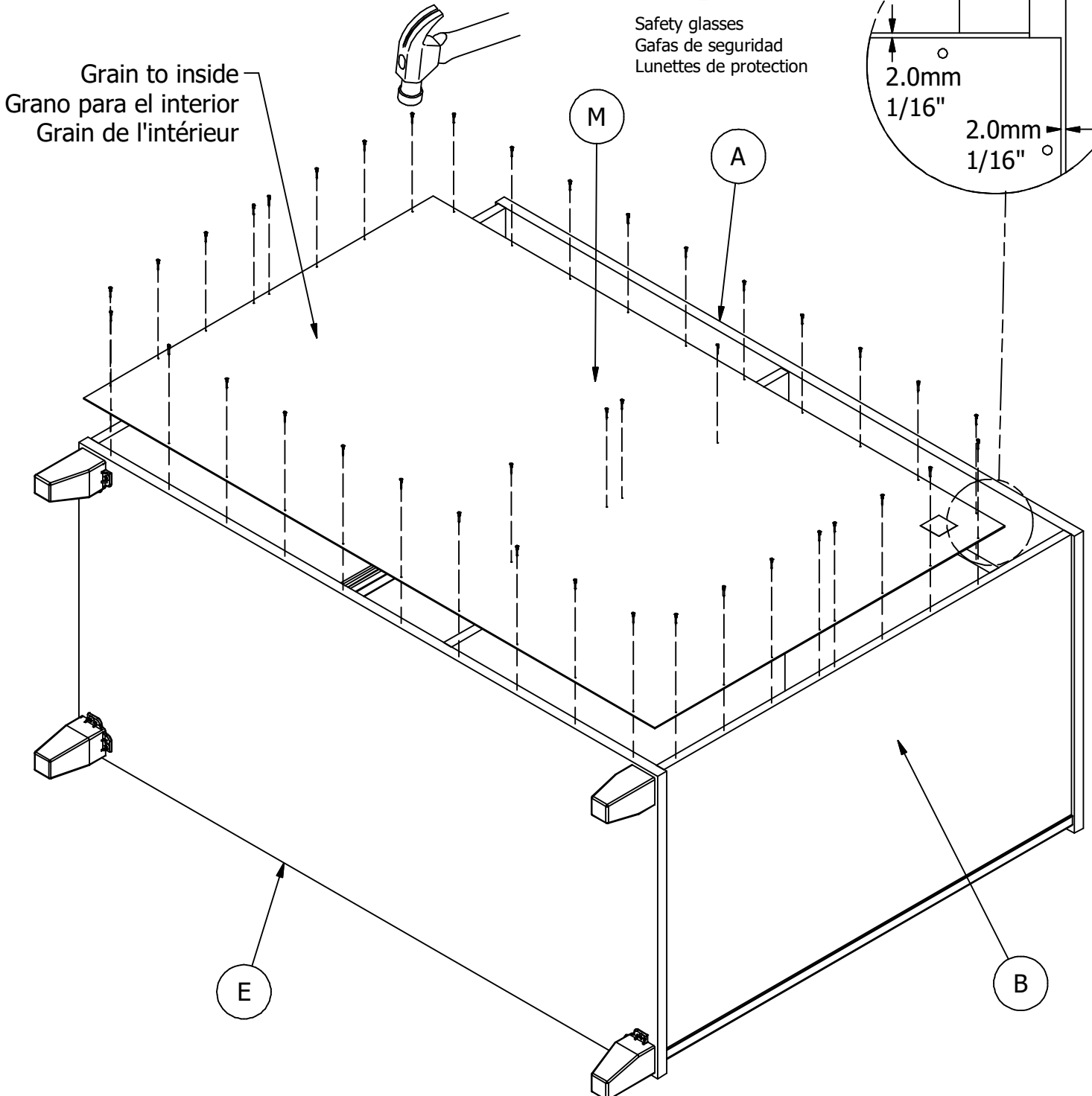
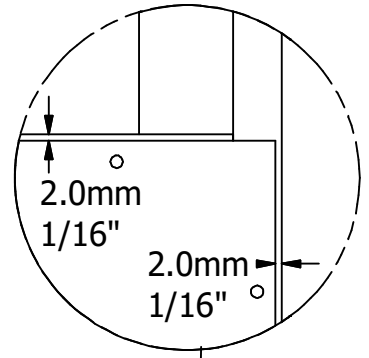
With assistant, carefully flip unit over.
Con el asistente, voltee cuidadosamente la unidad.
Avec l'assistant, retourner soigneusement l'unité.

H34174 [40]
Nail 19mm



Safety glasses
Gafas de seguridad
Lunettes de protection

Grain to inside
Grano para el interior
Grain de l'intérieur



Have an assembly question or need a replacement part? Just call
1-800-950-4782, we are here to help.

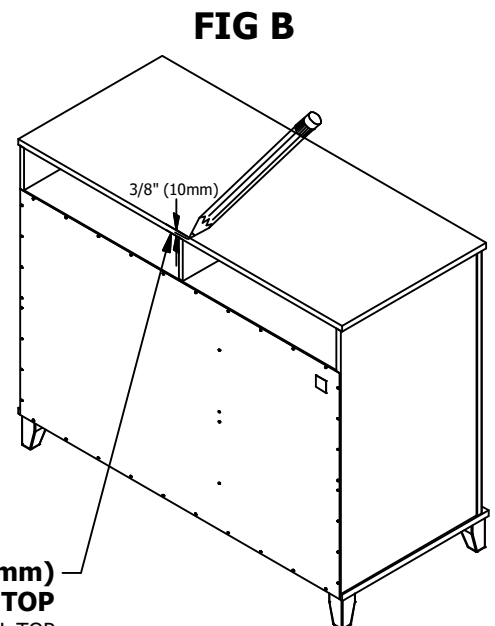
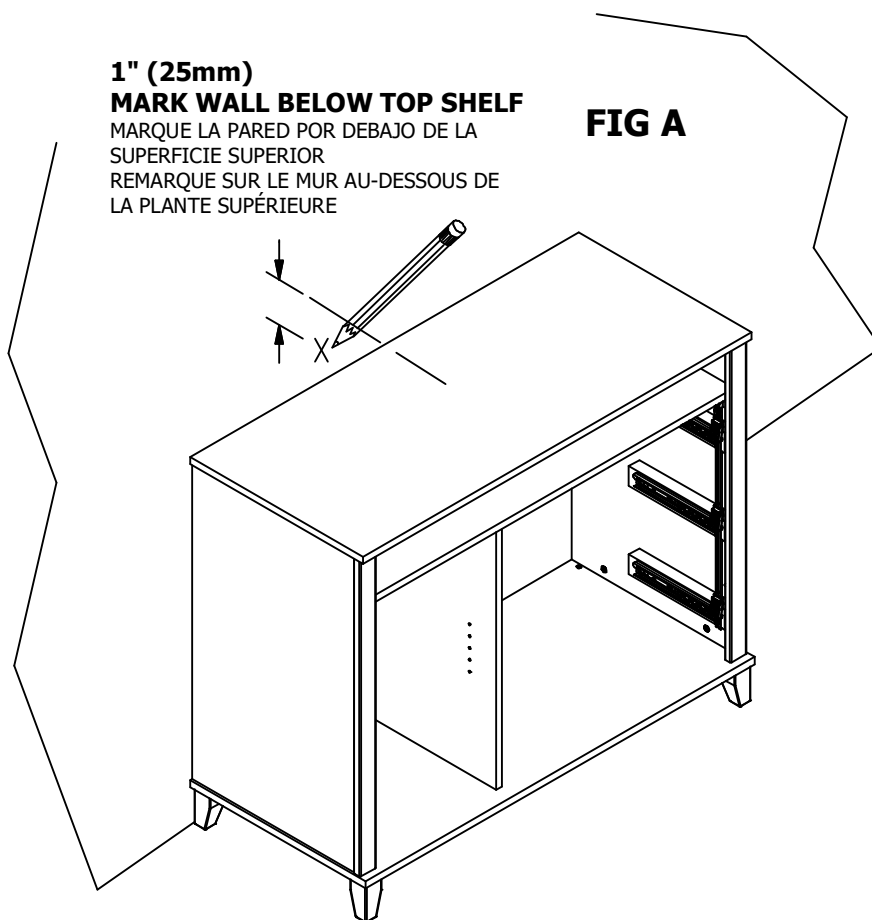
FOLLOW THESE STEPS TO SECURE UNIT TO THE WALL USING TIPOVER RESTRAINT

SIGA ESTOS PASOS PARA FIJAR LA UNIDAD A LA PARED UTILIZANDO LA PUNTA SOBRE EL SEGURO
SUIVEZ CES ÉTAPES POUR SÉCURISER L'APPAREIL AU MUR EN UTILISANT LA PRISE DE RETENUE

1. Place unit in desired location.
2. Locate wall stud nearest unit center. FIG A
3. On wall, mark center of stud location 1" below top of unit. FIG A
4. If a wall stud cannot be located mark hollow wall at unit center. FIG A
5. On back of unit, mark corresponding location 3/8" below top of unit. FIG B

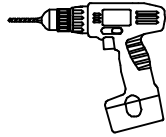
1. Coloque la unidad en el lugar deseado.
2. Localice pie derecho de pared centro de unidad más próxima.
3. En la pared del, marque el centro de la ubicación del montante 1 "abajo la parte superior de la unidad.
4. Si un poste de la pared no se puede localizar marcar pared hueca en el centro de la unidad.
5. En el dorso de la unidad, marque la ubicación 3/8 correspondiente abajo la parte superior de la unidad.

1. Placez l'unité à l'endroit désiré.
2. Localiser centre d'unité la plus proche de la paroi Stud.
3. Sur le mur, centre de emplacement du montant 1 "ci-dessous dessus de l'appareil de la marque.
4. Si un montant de mur ne peut pas être situé marquer mur creux au centre de l'unité.
5. Le dos de l'appareil, marquer l'emplacement 3/8 correspondant ci-dessous dessus de l'appareil.

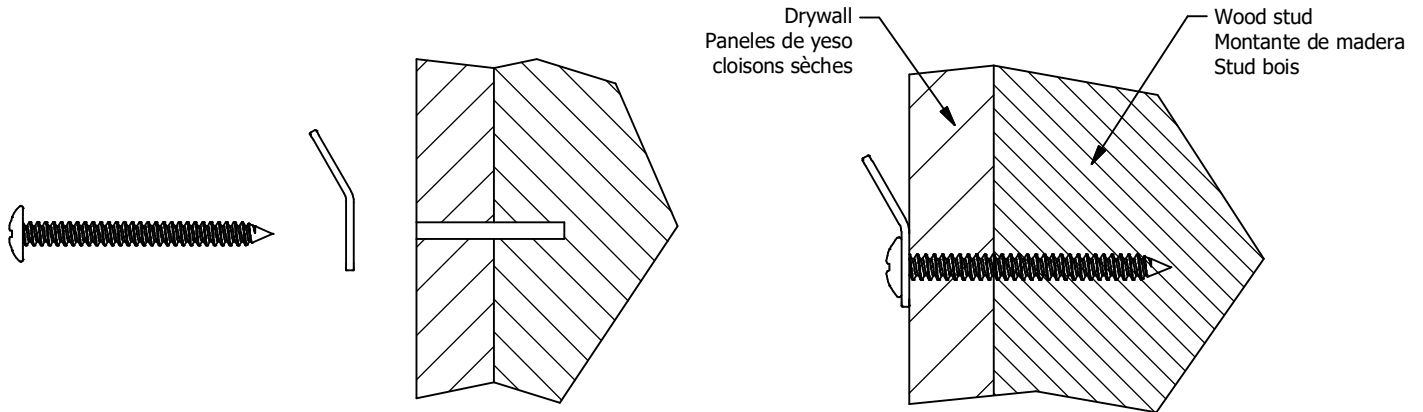
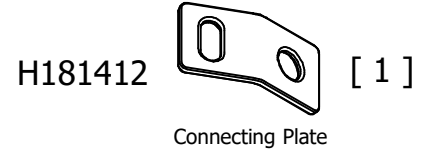
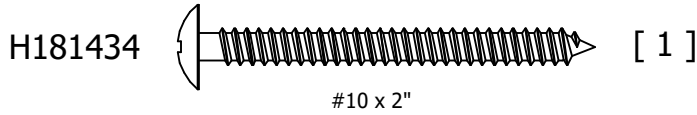


Have an assembly question or need a replacement part? Just call
1-800-950-4782, we are here to help.

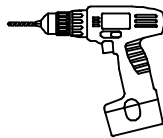
WALL STUD ATTACHMENT



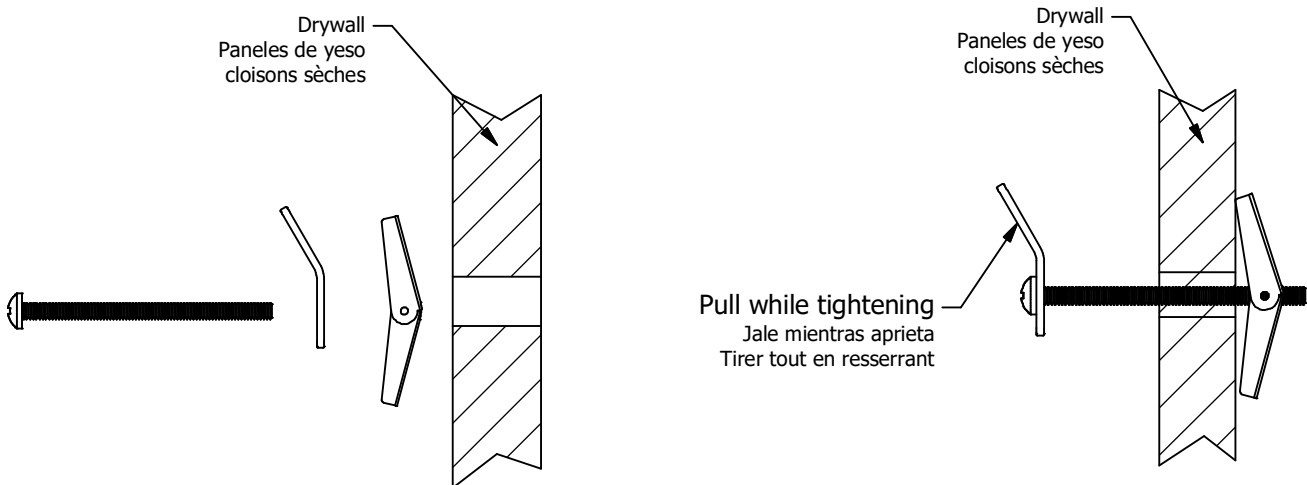
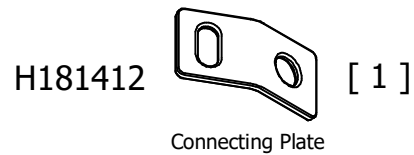
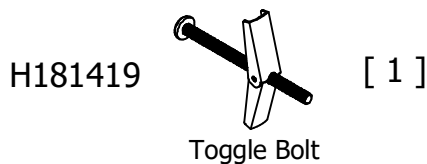
Drill 1/8" hole 2" deep at mark on wall.
 Taladro 1/8 "agujero 2" de profundidad en la marca en la pared.
 Percer 1/8 "trou de 2" de profondeur à la marque sur le mur.



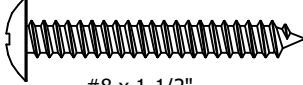
HOLLOW WALL ATTACHMENT

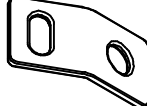


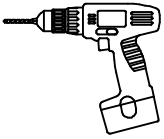
Drill 1/2" hole 1" deep at mark on wall.
 Taladro 1/2 "agujero 1" de profundidad en la marca en la pared.
 Percer 1/2 "trou de 1" de profondeur à la marque sur le mur.



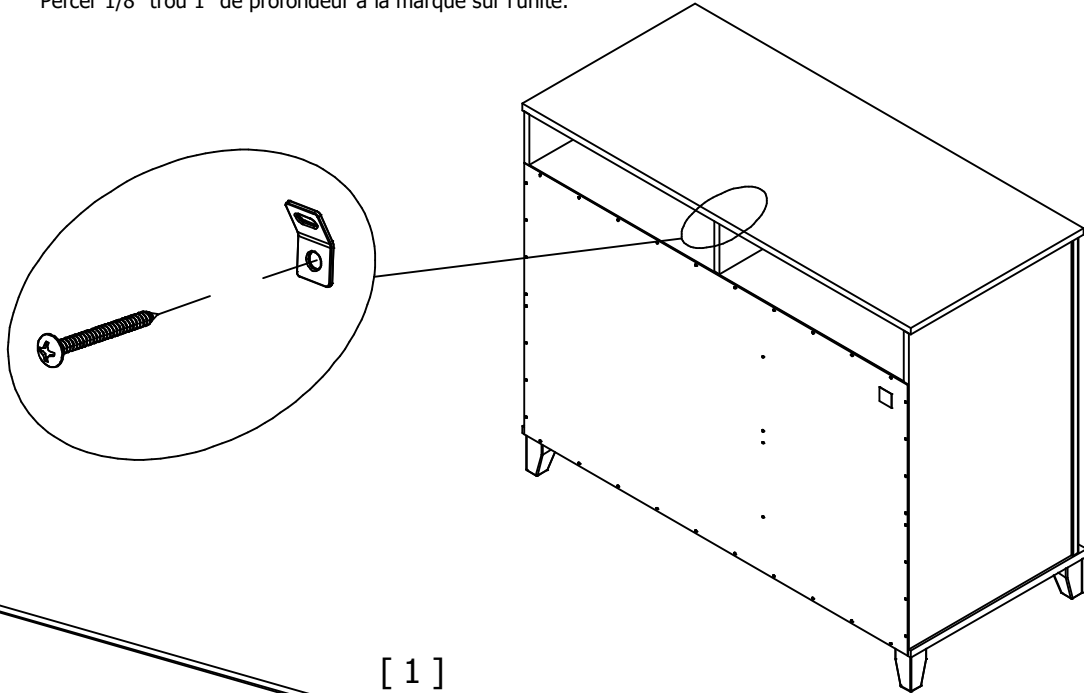
Have an assembly question or need a replacement part? Just call
1-800-950-4782, we are here to help.


H107572  [1]
#8 x 1-1/2"

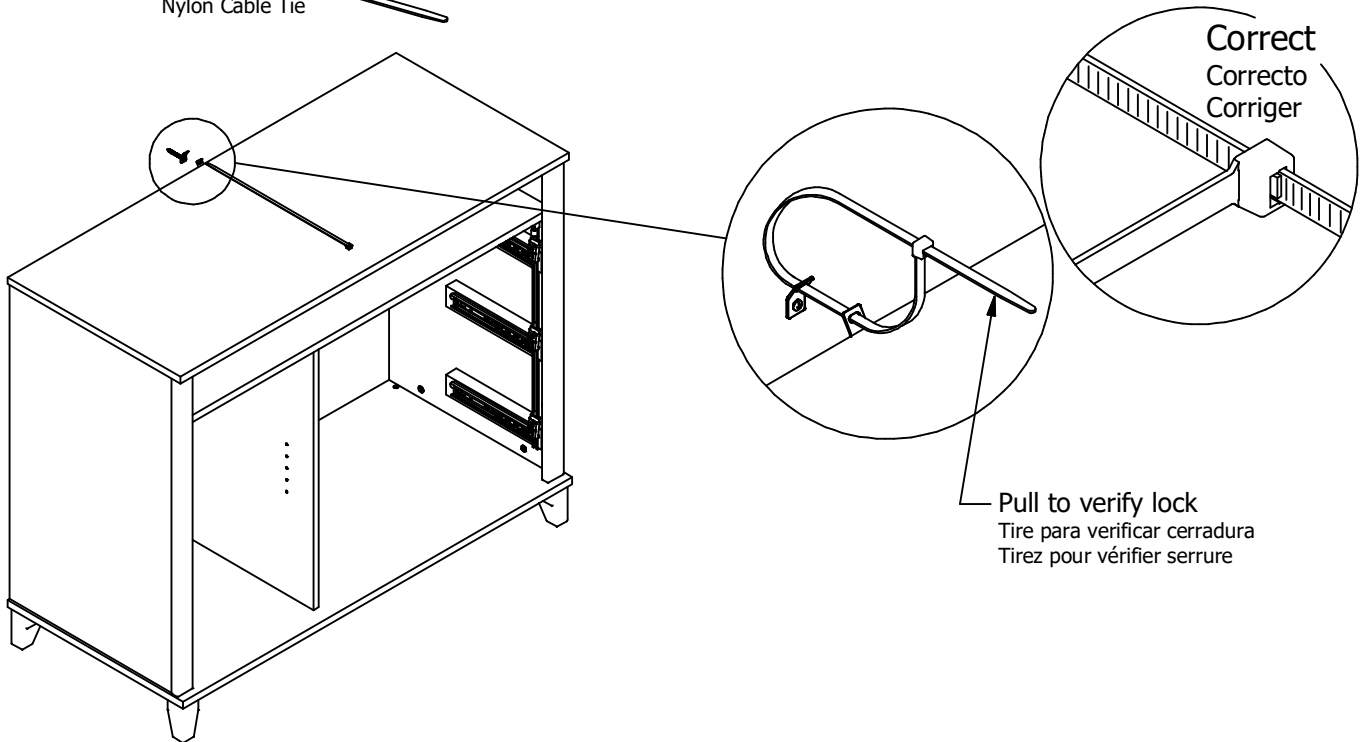
H181412  [1]
Connecting Plate



Drill 1/8" hole 1" deep at mark on unit.
Taladro 1/8 "agujero de 1" de profundidad en la marca de la unidad.
Perçer 1/8 "trou 1" de profondeur à la marque sur l'unité.



H181411  [1]
Nylon Cable Tie



Use replacement cable tie with minimum breaking strength of 120lbs.
Utilice reemplazo empate Cable con resistencia a la rotura mínima de 120 libras.
Utilisez remplacement Attache de câble avec une force de rupture minimale de 120 lbs.

Have an assembly question or need a replacement part? Just call
1-800-950-4782, we are here to help.

STEP 27

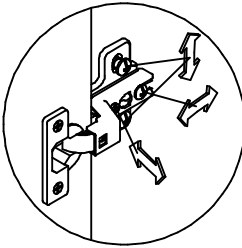
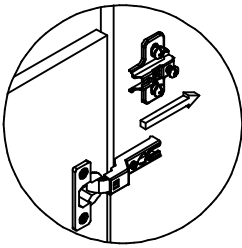
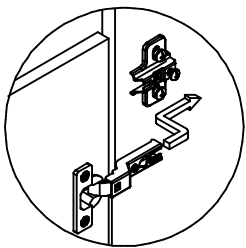
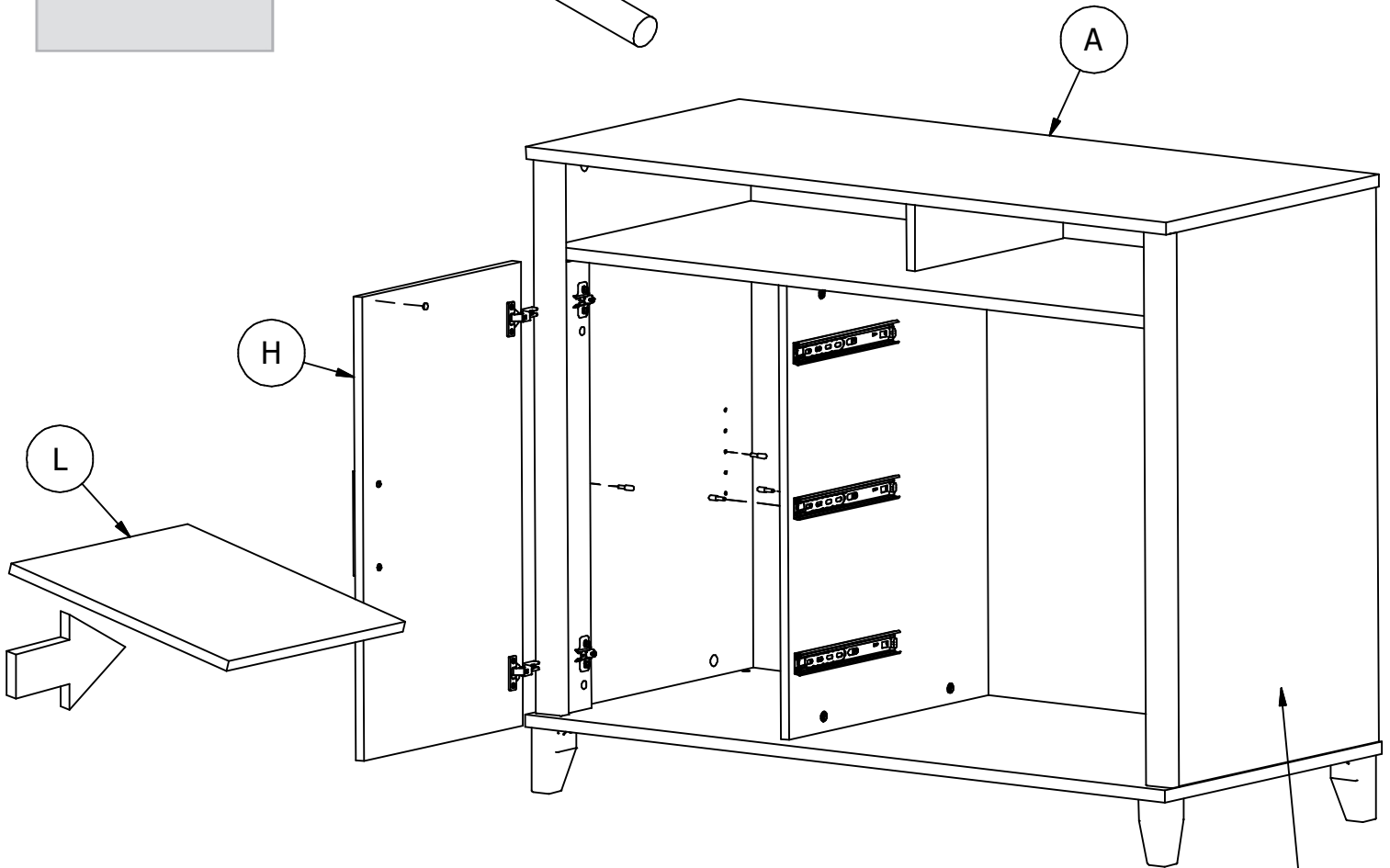
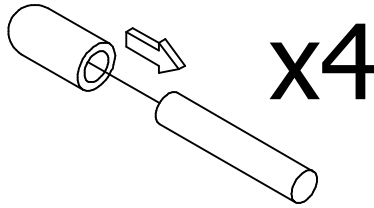
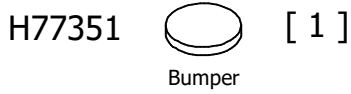
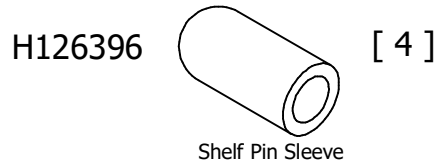
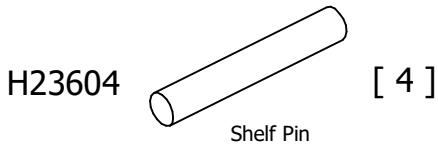
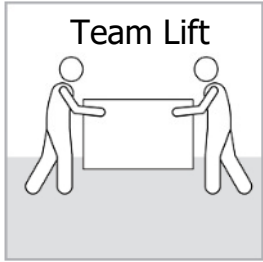
Insert Panel / Attach Door

A206435A

Scan QR Code to Watch Video on:



How to Adjust Door Hinges



Have an assembly question or need a replacement part? Just call **1-800-950-4782**, we are here to help.

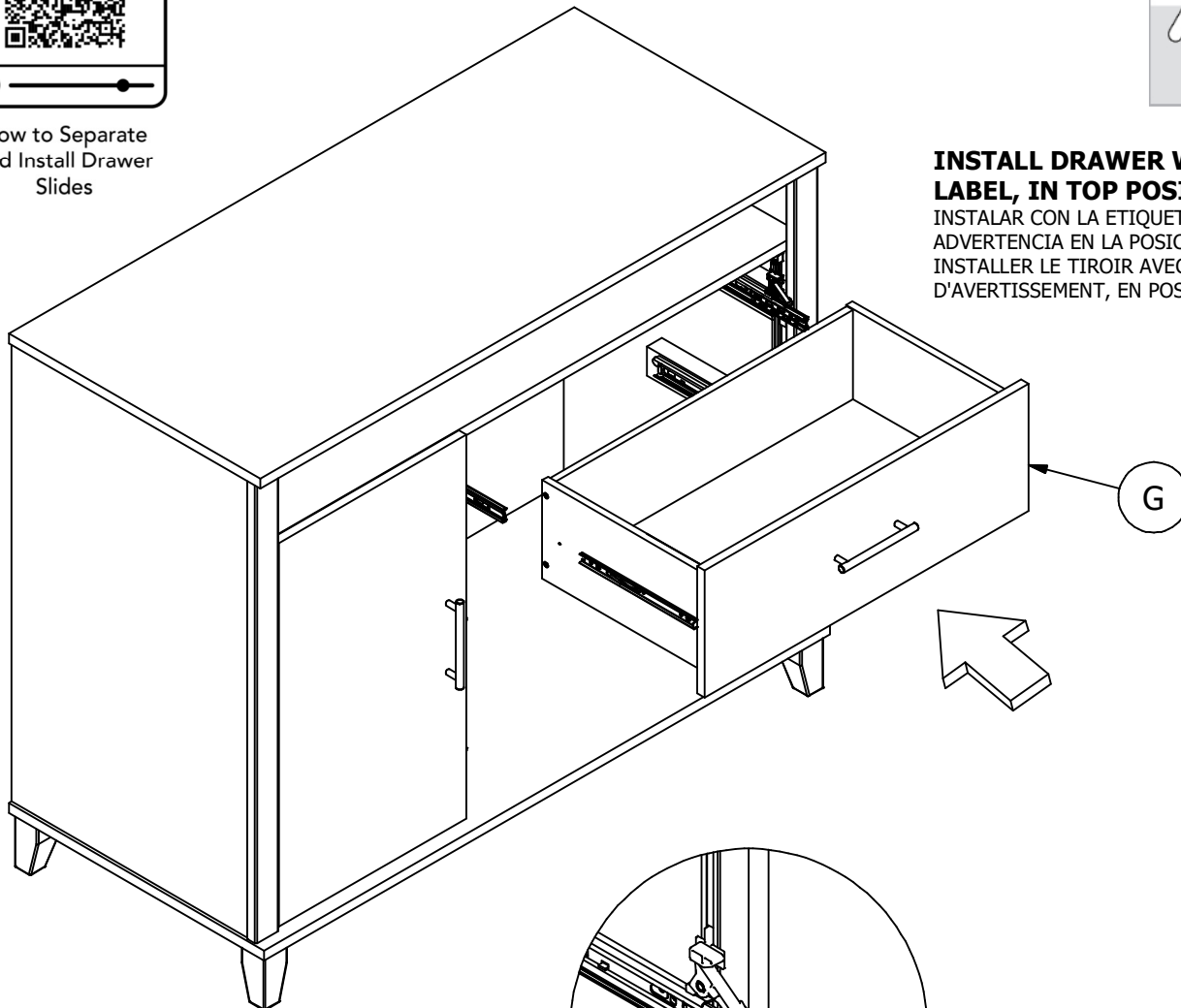
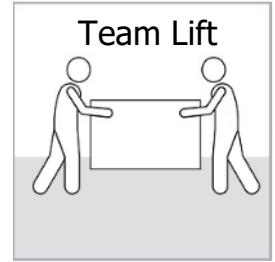
Scan QR Code to Watch Video on:



How to Separate and Install Drawer Slides

TOP DRAWER INSTALLATION

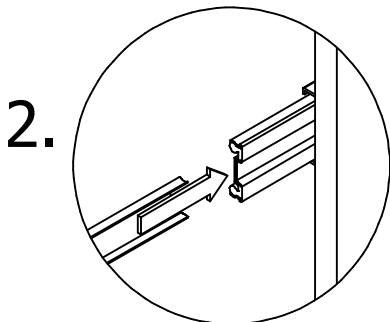
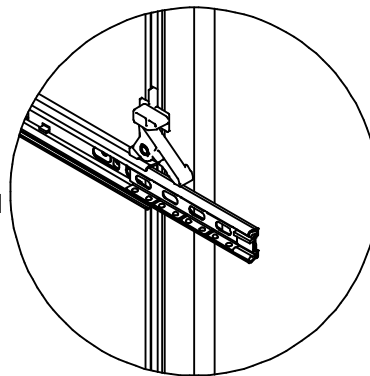
INSTALACION DEL TIRADOR SUPERIOR
INSTALLATION DE TIROIR



INSTALL DRAWER WITH WARNING LABEL, IN TOP POSITION

INSTALAR CON LA ETIQUETA DEL CAJÓN
ADVERTENCIA EN LA POSICIÓN SUPERIOR
INSTALLER LE TIROIR AVEC L'ÉTIQUETTE
D'AVERTISSEMENT, EN POSITION SUPÉRIEURE

- 1. MOVE SLIDE TO FORWARD MOST POSITION**
MOVER DIAPOSITIVA HACIA ADELANTE MÁS POSICIÓN
DÉPLACER LA DIAPOSITIVE VERS L'AVENIR



- 2. BOTH RIGHT AND LEFT SIDES**
AMBOS LADOS DERECHO E IZQUIERDO
LES DIFFERENTS ET GAUTS

- 3. INSERT DRAWER, CAREFULLY POSITION SLIDE RUNNER INTO MOUNT. OPEN AND CLOSE TO CHECK DRAWER FUNCTION.**
INSERT CAJÓN, DESLICE CON CUIDADO POSICIÓN EN MONTAJE CORREDOR. SE ABREN Y CIERRAN PARA CONTROLAR LA FUNCIÓN CAJÓN.
INSERT TIROIR SLIDE RUNNER EN ATTENTIVEMENT POSITION MONT. OUVERT ET PROCHE DE LA FONCTION DE VOIR TIROIR.

Have an assembly question or need a replacement part? Just call
1-800-950-4782, we are here to help.

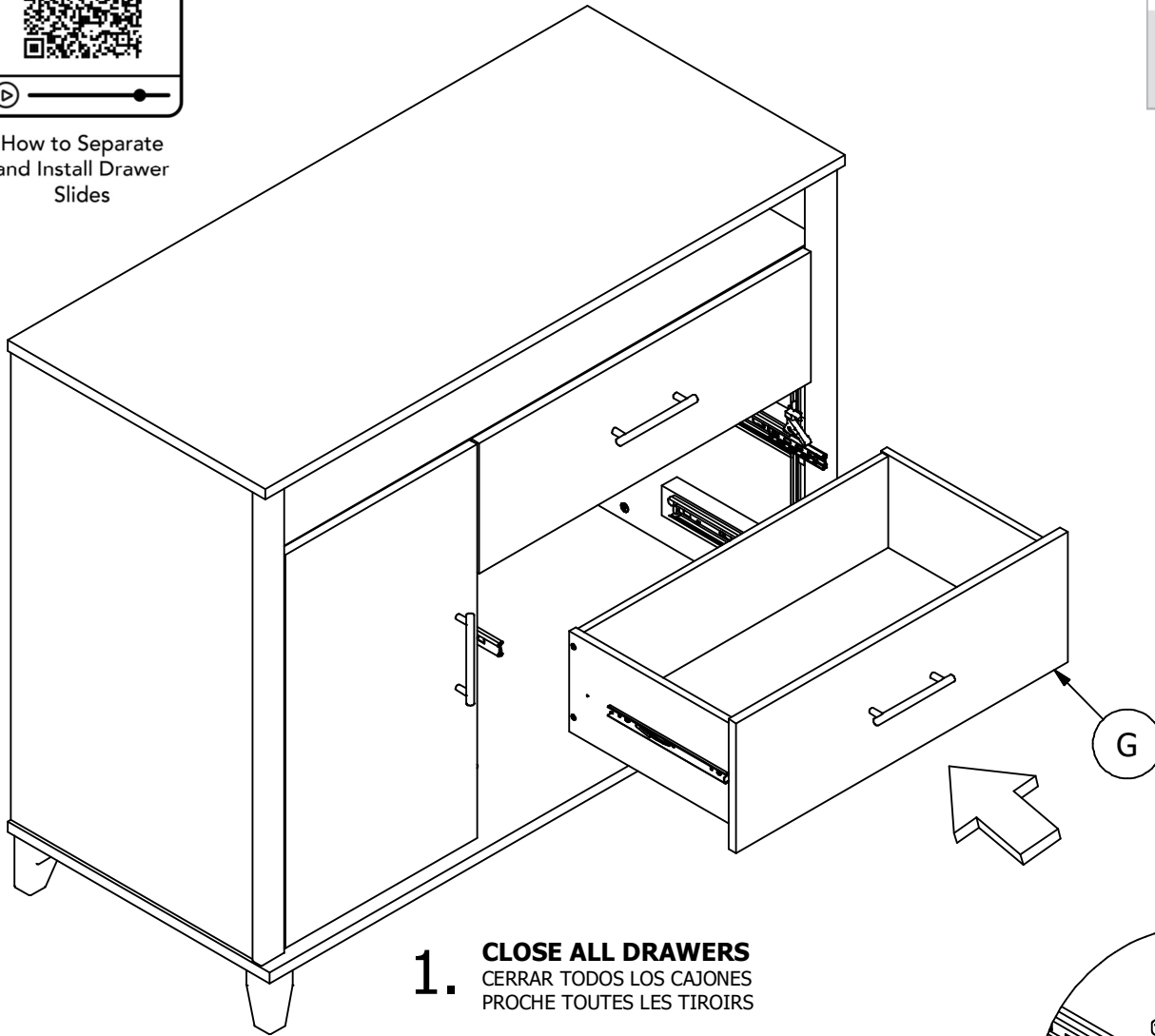
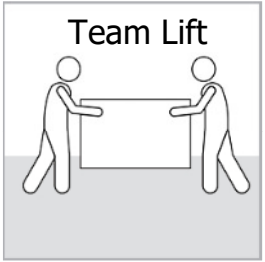
Scan QR Code to Watch Video on:



How to Separate and Install Drawer Slides

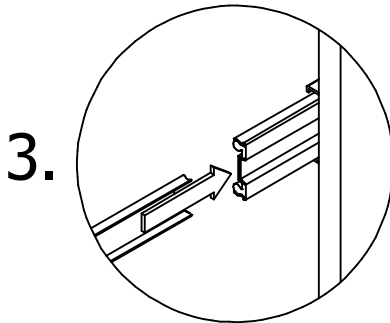
MIDDLE DRAWER INSTALLATION

SEGUNDA INSTALACIÓN DEL CAJÓN
DEUXIÈME INSTALLATION DE TIROIR

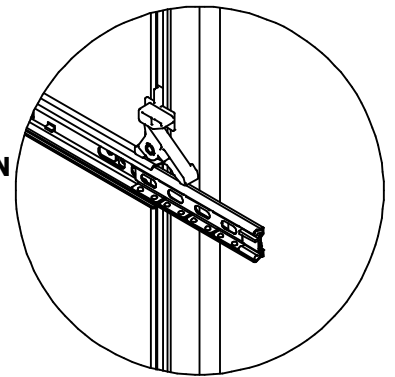


1. CLOSE ALL DRAWERS
CERRAR TODOS LOS CAJONES
PROCHE TOUTES LES TIROIRS

2. MOVE SLIDE TO FORWARD MOST POSITION
MOVER DIAPOSITIVA HACIA ADELANTE MÁS POSICIÓN
DÉPLACER LA DIAPOSITIVE VERS L'AVENIR



3. BOTH RIGHT AND LEFT SIDES
AMBOS LADOS DERECHO E IZQUIERDO
LES DIFFERENTS ET GAUTS



4. INSERT DRAWER, CAREFULLY POSITION SLIDE RUNNER INTO MOUNT. OPEN AND CLOSE TO CHECK DRAWER FUNCTION.
INSERT CAJÓN, DESLICE CON CUIDADO POSICIÓN EN MONTAJE CORREDOR. SE ABREN Y CIERRAN PARA CONTROLAR LA FUNCIÓN CAJÓN.
INSERT TIROIR SLIDE RUNNER EN ATTENTIVEMENT POSITION MONT. OUVERT ET PROCHE DE LA FONCTION DE VOIR TIROIR.

Have an assembly question or need a replacement part? Just call
1-800-950-4782, we are here to help.

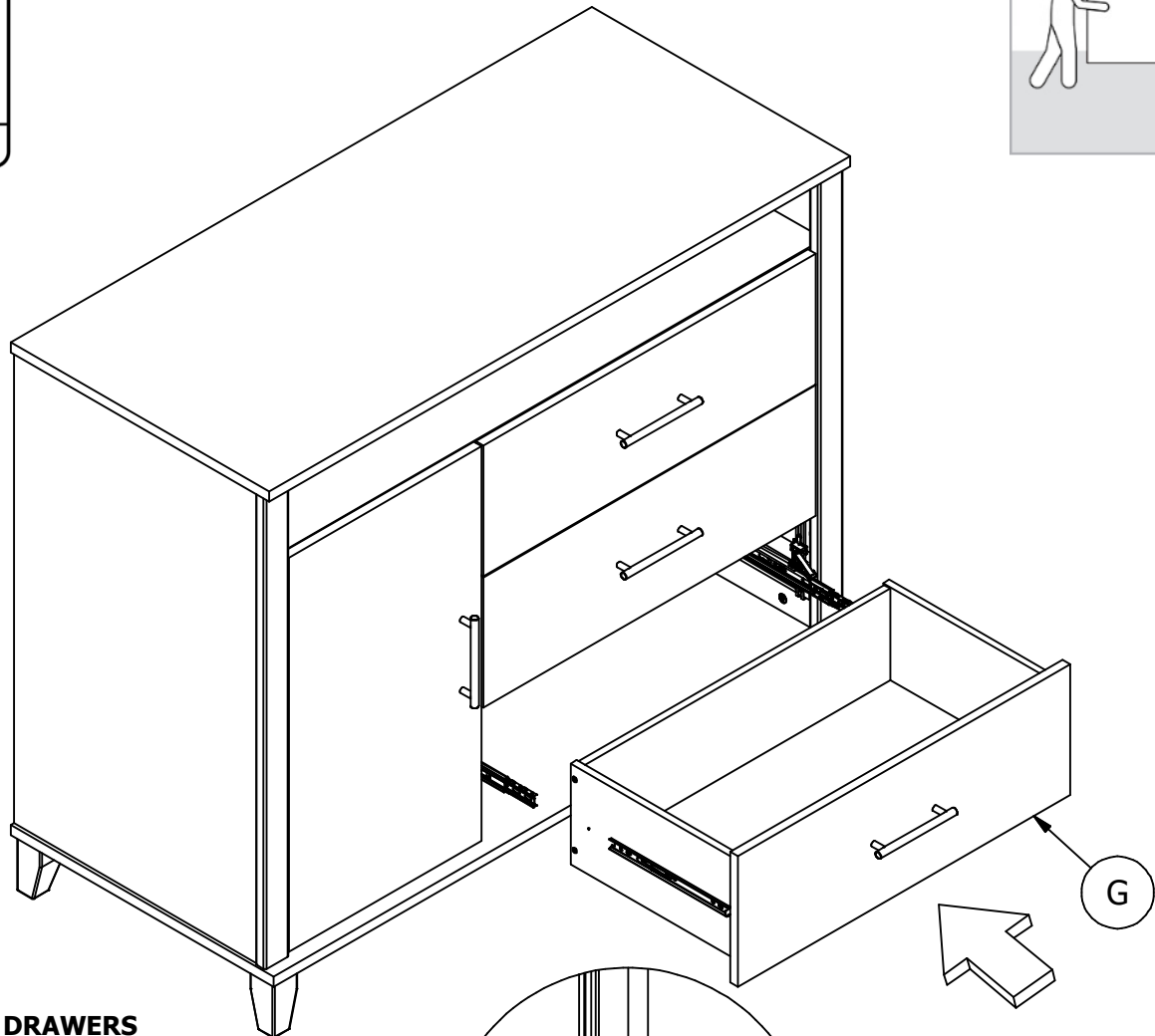
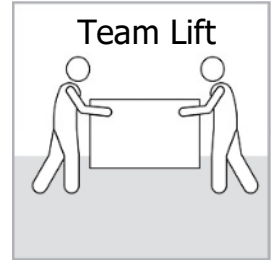
Scan QR Code to Watch Video on:



How to Separate and Install Drawer Slides

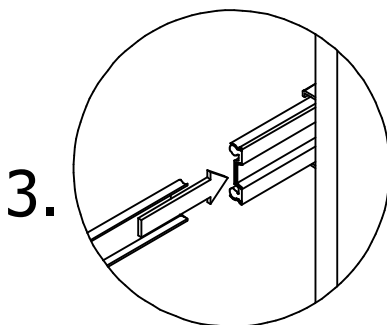
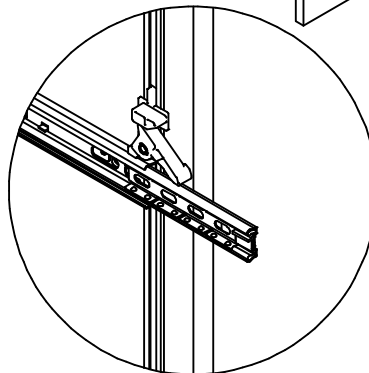
BOTTOM DRAWER INSTALLATION

INSTALACIÓN FONDO DEL CAJÓN
BAS INSTALLATION DE TIROIR



1. CLOSE ALL DRAWERS
CERRAR TODOS LOS CAJONES
PROCHE TOUTES LES TIROIRS

2. MOVE SLIDE TO FORWARD MOST POSITION
MOVER DIAPOSITIVA HACIA ADELANTE MÁS POSICIÓN
DÉPLACER LA DIAPOSITIVE VERS L'AVENIR



3. BOTH RIGHT AND LEFT SIDES
AMBOS LADOS DERECHO E IZQUIERDO
LES DIFFERENTS ET GAUTS

4. INSERT DRAWER, CAREFULLY POSITION SLIDE RUNNER INTO MOUNT. OPEN AND CLOSE TO CHECK DRAWER FUNCTION.
INSERT CAJÓN, DESLICE CON CUIDADO POSICIÓN EN MONTAJE CORREDOR. SE ABREN Y CIERRAN PARA CONTROLAR LA FUNCIÓN CAJÓN.
INSERT TIROIR SLIDE RUNNER EN ATTENTIVEMENT POSITION MONT. OUVERT ET PROCHE DE LA FONCTION DE VOIR TIROIR.

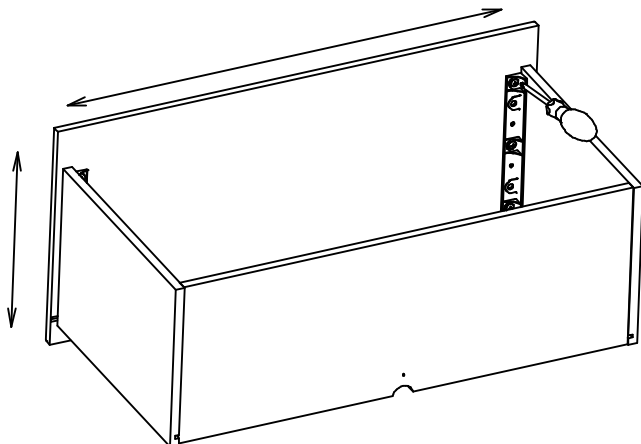
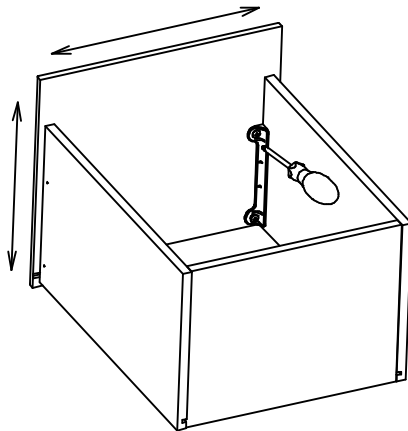
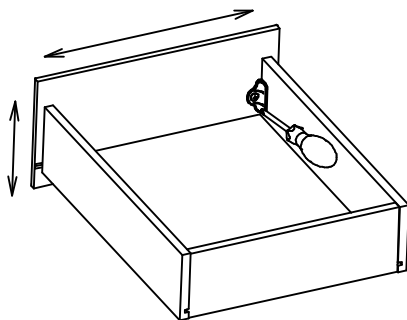
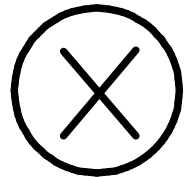
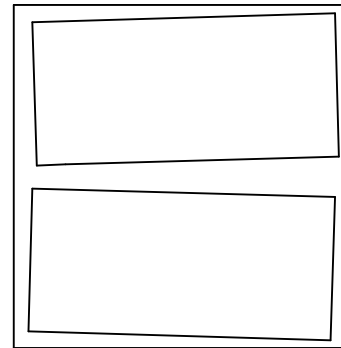
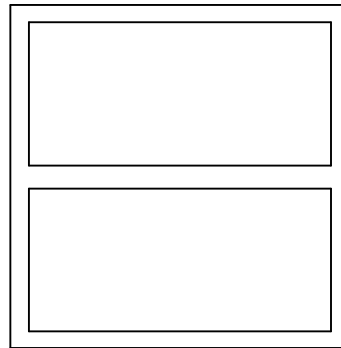
Have an assembly question or need a replacement part? Just call
1-800-950-4782, we are here to help.

Scan QR Code to Watch Video on:



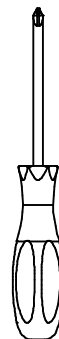
How to Adjust Drawer Fronts

DRAWER FRONT VIEW



REQUIRED TOOL: PHILLIPS SCREWDRIVER

HERRAMIENTA REQUERIDA: DESTORNILLADOR PHILLIPS
 OUTIL REQUIS: TOURNEVIS CRUCIFORME



1. LOOSEN SCREWS.
2. ADJUST DRAWER FRONTS.
3. TIGHTEN SCREWS.

1. Afloje los tornillos
2. Ajustar frentes de cajón
3. Apriete los tornillos

1. Desserrer les vis
2. Ajuster les façades des tiroirs
3. Serrer les vis

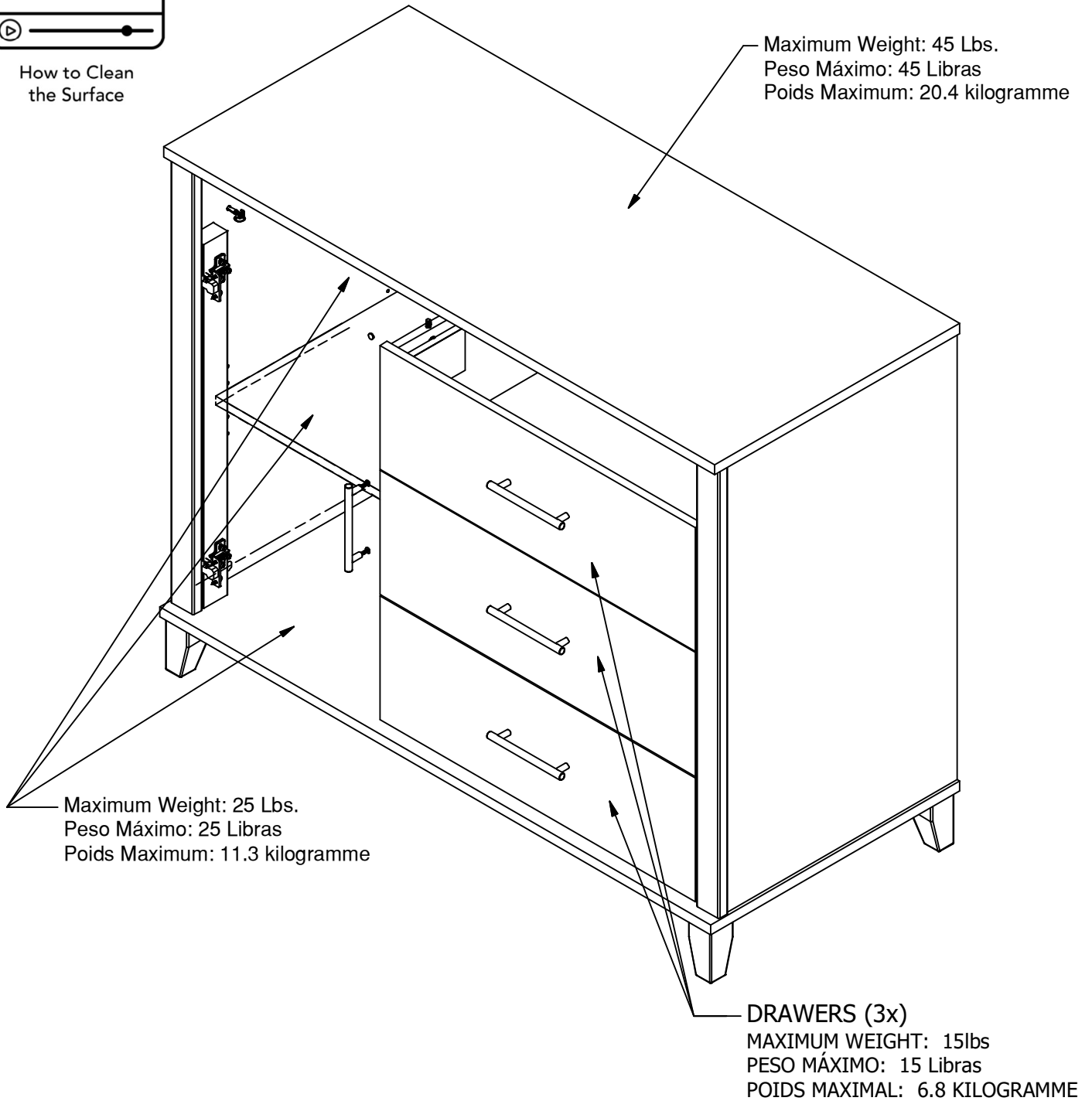
Have an assembly question or need a replacement part? Just call
1-800-950-4782, we are here to help.

Scan QR Code to Watch Video on:



How to Clean the Surface

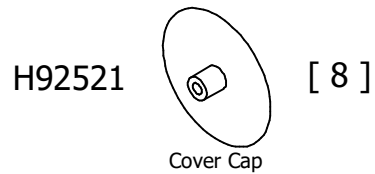
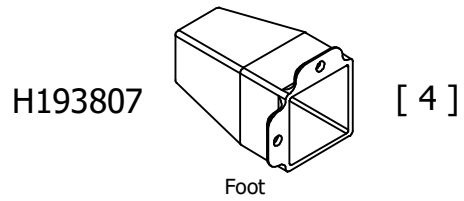
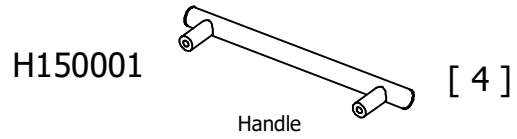
Gently clean surfaces with a damp sponge eraser.



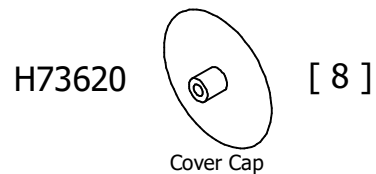
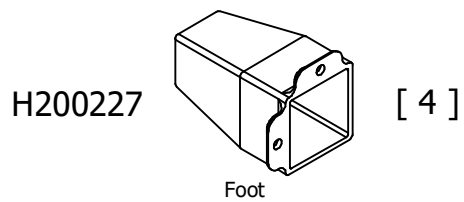
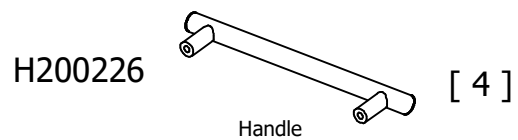
Congratulations! You are all done. If you have any questions or concerns, please call.

Have an assembly question or need a replacement part? Just call **1-800-950-4782**, we are here to help.

STV148SG		
LABEL CODE	QTY	PART NUMBER
A	1	W206436
B	1	W206437
C	1	W206438
D	1	W206439
E	1	W206440
F	1	W206441
G	3	W206519
H	1	W206442
J	3	W192869
K	2	W206443
L	1	W206445
M	1	W206444
N	1	W206685
O	1	W206833
P	6	W192210
Q	3	W191038
R	3	W184158



STV148FW		
LABEL CODE	QTY	PART NUMBER
A	1	W206446
B	1	W206447
C	1	W206448
D	1	W206449
E	1	W206450
F	1	W206451
G	3	W206520
H	1	W206452
J	3	W192869
K	2	W206453
L	1	W206455
M	1	W206454
N	1	W206686
O	1	W206834
P	6	W192210
Q	3	W191038
R	3	W184158

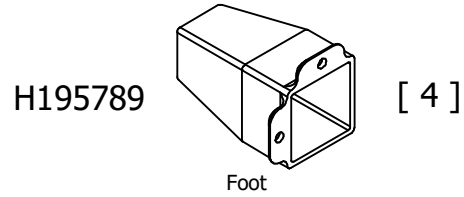
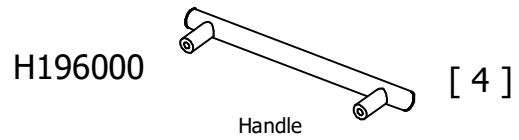


Have an assembly question or need a replacement part? Just call
1-800-950-4782, we are here to help.

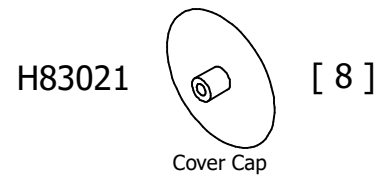
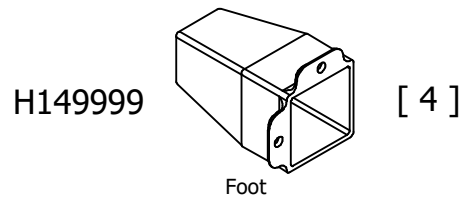
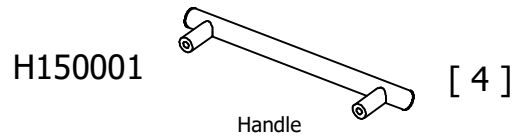
PARTS LIST

A206435A

STV148PG		
LABEL CODE	QTY	PART NUMBER
A	1	W206456
B	1	W206457
C	1	W206458
D	1	W206459
E	1	W206460
F	1	W206461
G	3	W206521
H	1	W206462
J	3	W192869
K	2	W206463
L	1	W206465
M	1	W206464
N	1	W206687
O	1	W206835
P	6	W192210
Q	3	W191038
R	3	W184158



STV148AG		
LABEL CODE	QTY	PART NUMBER
A	1	W206466
B	1	W206467
C	1	W206468
D	1	W206469
E	1	W206470
F	1	W206471
G	3	W206522
H	1	W206472
J	3	W192869
K	2	W206473
L	1	W206475
M	1	W206474
N	1	W206688
O	1	W206836
P	6	W192210
Q	3	W191038
R	3	W184158



Have an assembly question or need a replacement part? Just call
1-800-950-4782, we are here to help.