



see what Delta can do™

PERSONAL HAND HELD SHOWERS

- **Vero® Bath Collection**
- **Hand Shower with Full Spray Pattern and Touch Clean Nubs**

STANDARD SPECIFICATIONS:

- Maximum 1.75 gpm @ 80 psi, 6.6 L/min @ 550 kPa
- 60"-82" (1524 mm - 2083 mm) stretchable metal hose
- Certified dual check valves for backflow protection
- 24" (610 mm) wall bar with adjustable slide (allows for adjustable shower height) - 57530 only
Not to be used as a Grab Bar. Not ADA compliant
- Wall mount bracket - 55530 only

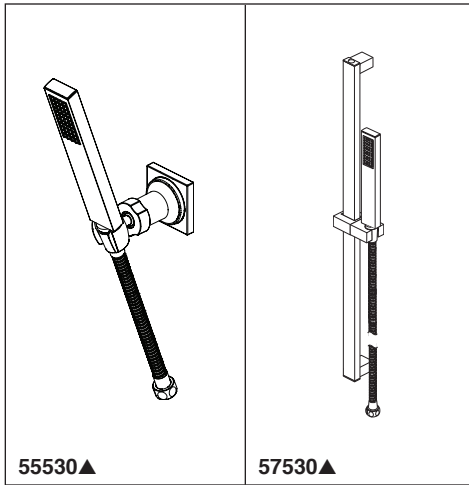
WARRANTY

- Parts and Finish - Lifetime limited warranty; or for commercial purchasers, 10 years for multi-family residential (apartments and condominiums) and 5 years for all other commercial uses, in each case from the date of purchase.
- Electronic Parts and Batteries (if applicable) - 5 years from the date of purchase; or for commercial purchasers, 1 year from the date of purchase. No warranty is provided on batteries.

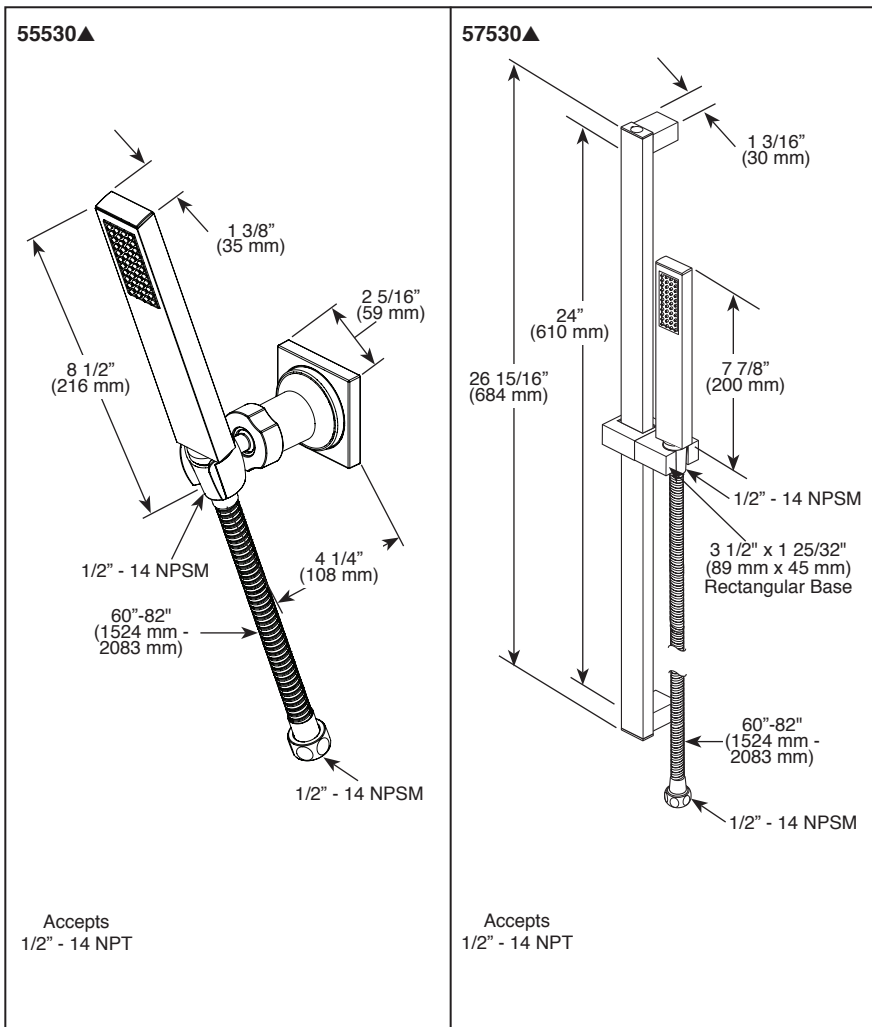


COMPLIES WITH:

- ASME A112.18.1 / CSA B125.1 ◆
- EPA WaterSense®



Submitted Model No.: _____
 Specific Features: _____



▲ Designate proper finish suffix

◆ Your Delta Faucet hand shower incorporates a backflow protection system that has been tested to be in compliance with ASME A112.18.3, CSA B125.1 and ASME A112.18.1. It incorporates two certified check valves in series, which operate independently and are integral, non-serviceable parts of the wand assembly.

Delta reserves the right (1) to make changes in specifications and materials, and (2) to change or discontinue models, both without notice or obligation. Dimensions are for reference only. See current full-line price book or www.deltafaucet.com for finish options and product availability.

DSP-B-55530 Rev. G

Delta Faucet Company

55 E. 111th Street, Indianapolis, IN 46280
 350 South Edgeware Road, St. Thomas, ON N5P 4L1
 © 2021 Delta Faucet Company