



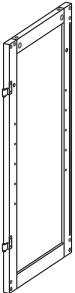
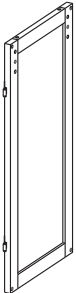

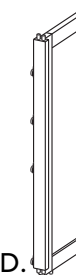
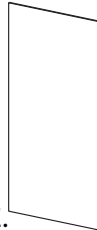




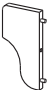


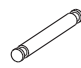
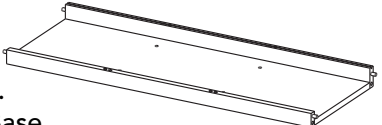

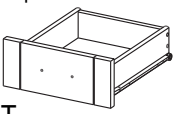
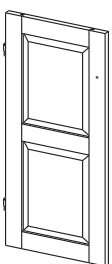
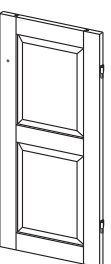

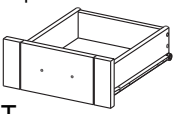
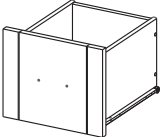
**IMPORTANT**

Carefully remove all the parts from the carton and place them individually on a soft cloth to prevent scratches or other damage.

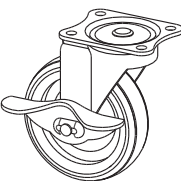











Carefully and strictly follow these assembly instructions to ensure a completed product as designed.

Do not use power tools above 8 volts to assemble.

**Part List**

							<b>G.</b> Back Rail 1 pc.
<b>A.</b> Side Panel 1 pc.	<b>B.</b> Side Panel 1 pc.	<b>C.</b> Middle Panel 1 pc.	<b>D.</b> Middle Panel 1 pc.	<b>E.</b> Back Panel 3 pcs.	<b>F.</b> Back Upright 2 pcs.		<b>H.</b> Front Rail 1 pc.
							<b>I.</b> Front Rail 3 pcs.
<b>K.</b> Shelf 2 pcs.	<b>P.</b> Rack Side 1 pc.	<b>Q.</b> Rack Side 1 pc.	<b>L.</b> Arm Handle 2 pcs.	<b>M.</b> Arm 1 pc.	<b>J.</b> Base 1 pc.		<b>T.</b> Drawer 3 pcs.
					<b>U.</b> Drawer 1 pc. Refer to later page(s) of these instructions for drawer assembly.		
<b>N.</b> Door 1 pc.	<b>O.</b> Door 1 pc.	<b>R.</b> Rack Base 1 pc.	<b>S.</b> Pipe 3 pcs.				

**Hardware List**

						
<b>Caster</b> 2 Locking 2 Non-Locking 4 pcs.	<b>Hex Wrench</b> 1 pc.	<b>M6x35 Head Cap Bolt</b> 14 pcs. (+1 extra)	<b>M3.5x13 Wood Screw (short)</b> 24 pcs. (+1 extra)	<b>Wood Plug</b> 10 pcs. (+1 extra)	<b>M4x25 Machine Screw</b> 10 pcs.	<b>Knob</b> 2 pcs.
						
<b>Small Hex Wrench</b> 1 pc.	<b>M3.5x25 Wood Screw (long)</b> 32 pcs. (+1 extra)	<b>M4x16 Wood Screw</b> 16 pcs. (+1 extra)	<b>Adjustable Pin</b> 8 pcs. (+1 extra)	<b>Handle</b> 4 pcs.		

9100 Top carton is also needed for assembly.

Tool(s) required for assembly: Phillips screwdriver

## Assembly Instructions 2/8

### IMPORTANT

- Use a soft cloth between these parts and the floor.
- Do not use power tools above 8 volts to assemble.
- Do not tighten all the bolts until each part is properly assembled.
- Keep Hex Wrench as the bolts may need to be tightened in the future.

### STEP 1

Attach Side Panel (A) to Base (J) with Head Cap Bolts. (See Figure 1)

Attach Back Upright (F) to Middle Panel (C), then attach to unit.

Attach Back Upright (F) to Middle Panel (D), then attach to unit.

Note: Assemble so Arrow labels on Back Uprights (F) point to each other.

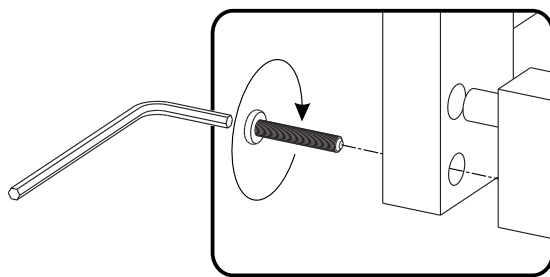
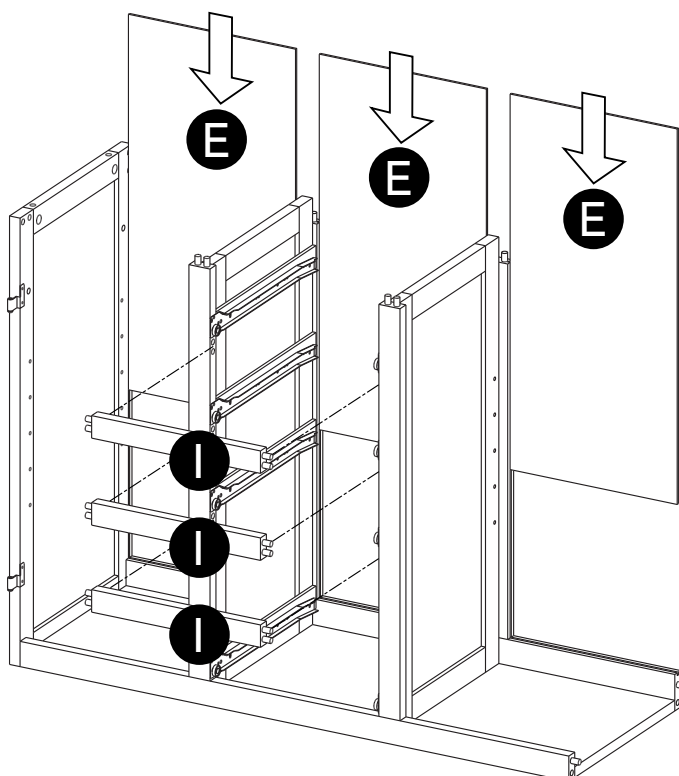
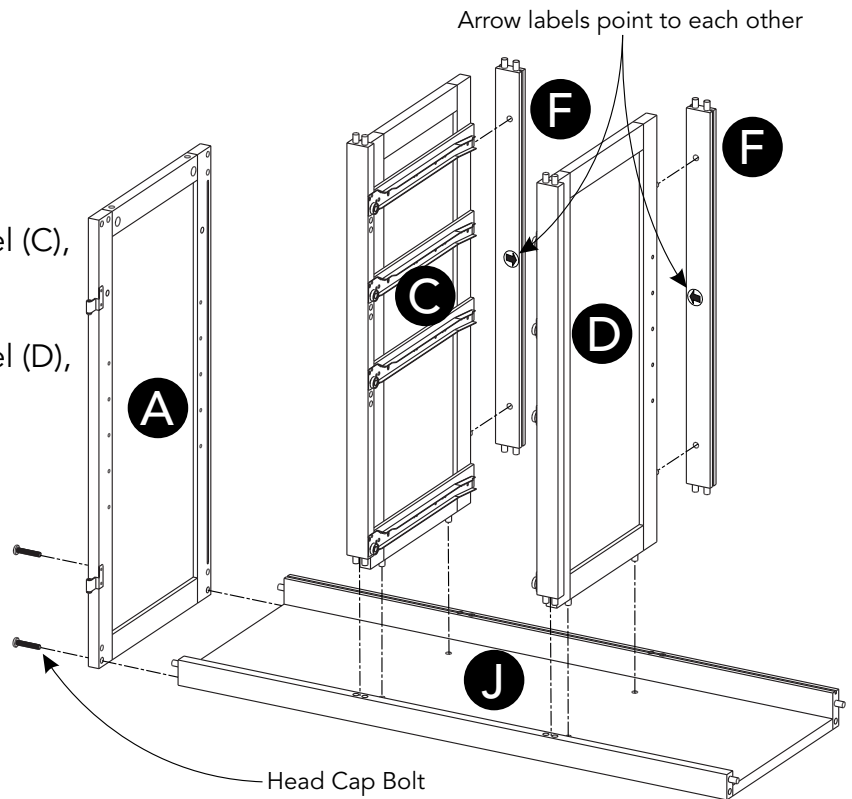


Figure 1



### STEP 2

Attach lower Front Rail (I) to unit.

Attach middle Front Rail (I) to unit.

Attach upper Front Rail (I) to unit.

Slide Back Panels (E) into position.

# Assembly Instructions 3/8

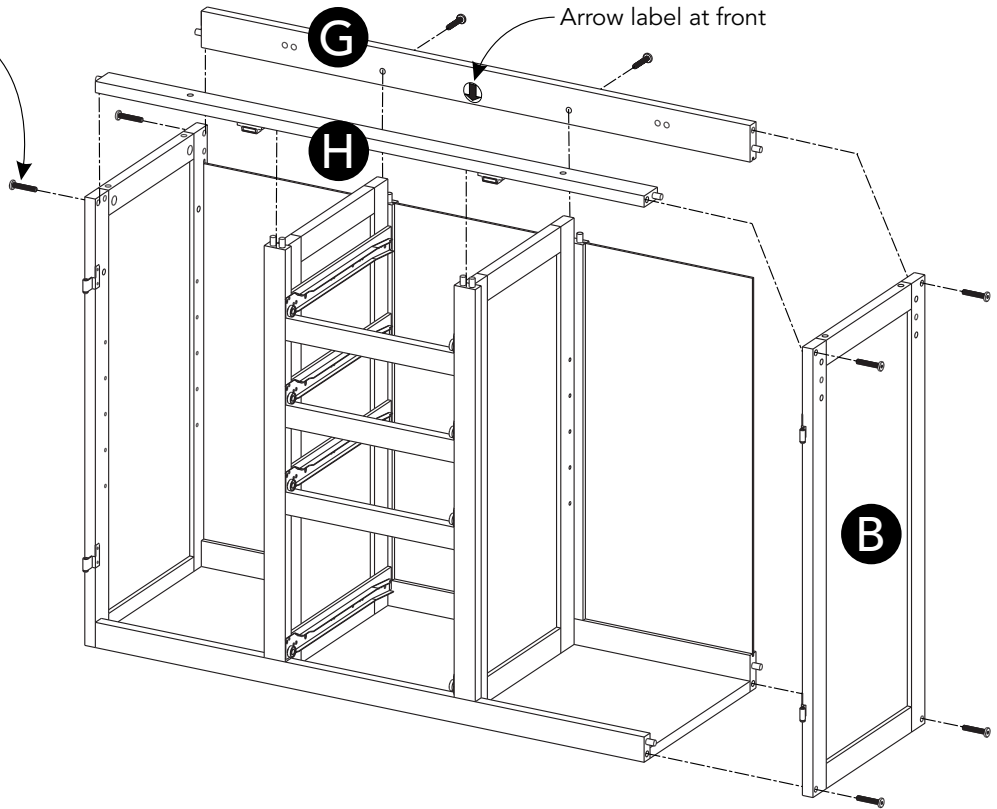
## STEP 3

Attach Back Rail (G) and Front Rail (H) to unit with Head Cap Bolts.

Note: Arrow label indicates front of Back Rail (G).

Attach Side Panel (B) to unit with Head Cap Bolts.

Head Cap Bolt



## STEP 4

Turn unit upside down.

Attach Casters to unit with Wood Screws into pre-drilled holes, with Locking Casters at front. (See Figure 2)

Note: Arrow label indicates front of unit.

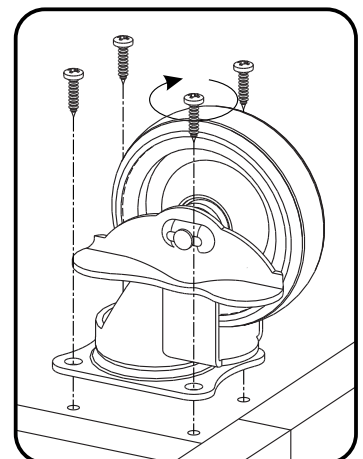
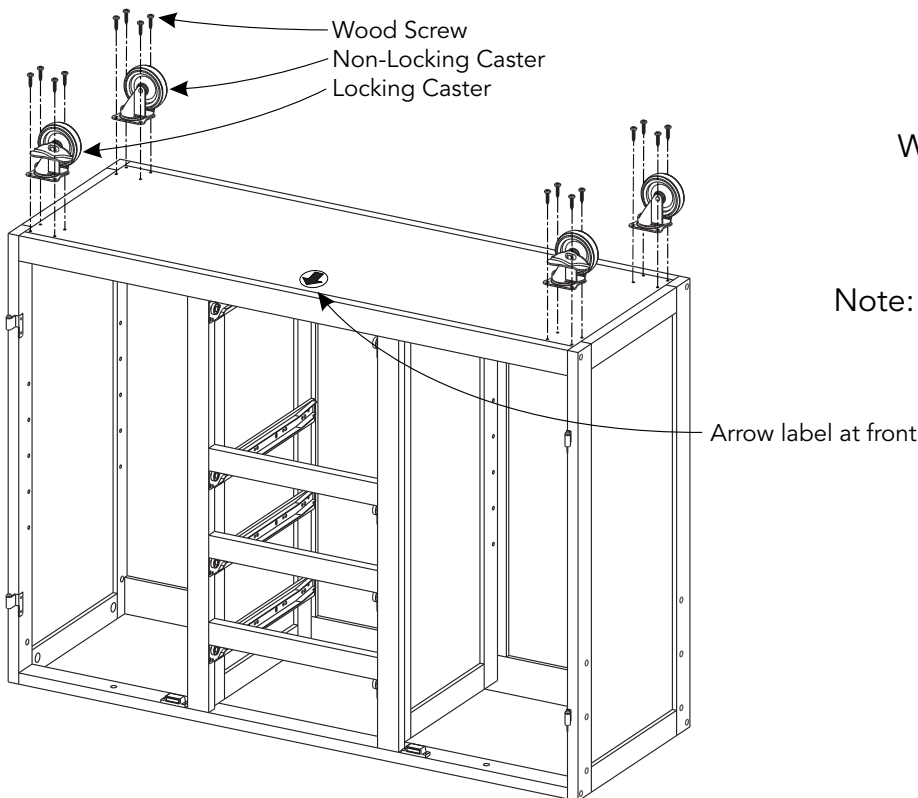


Figure 2

## Assembly Instructions 4/8

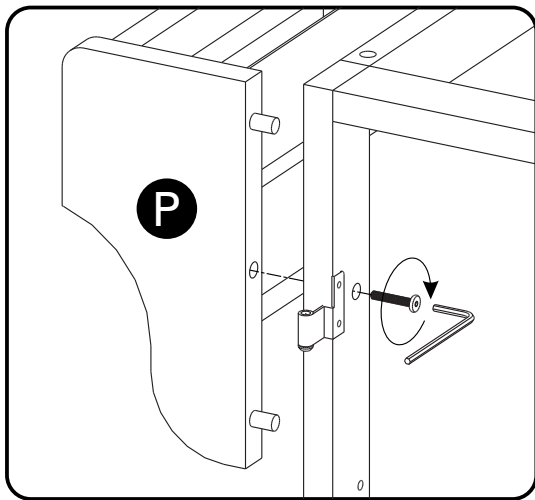
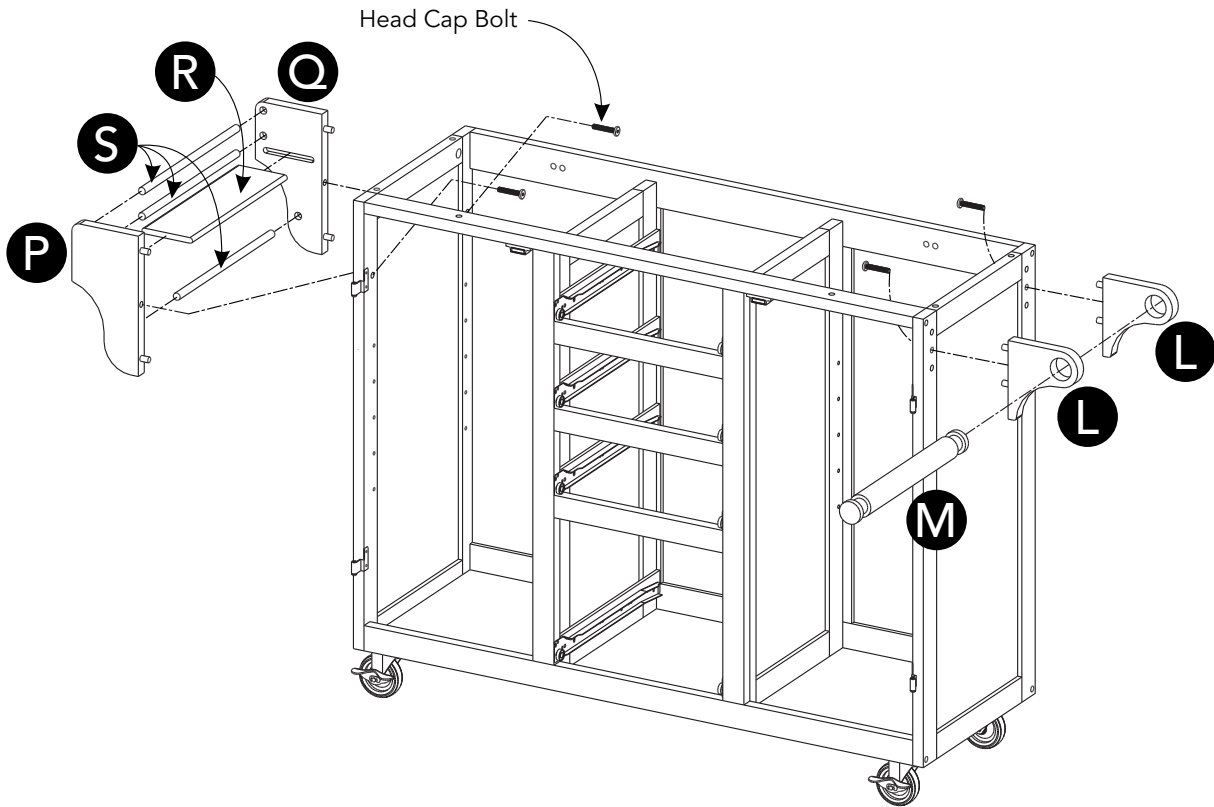


Figure 3

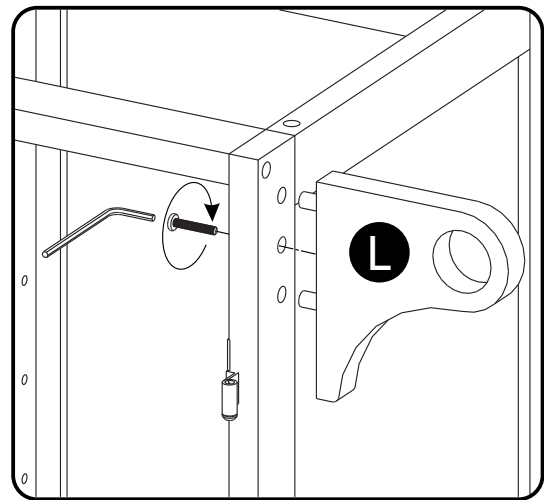


Figure 4

### STEP 5

Turn unit over to its upright position.

Attach Rack Side (P) to unit with Head Cap Bolt. (See Figure 3)

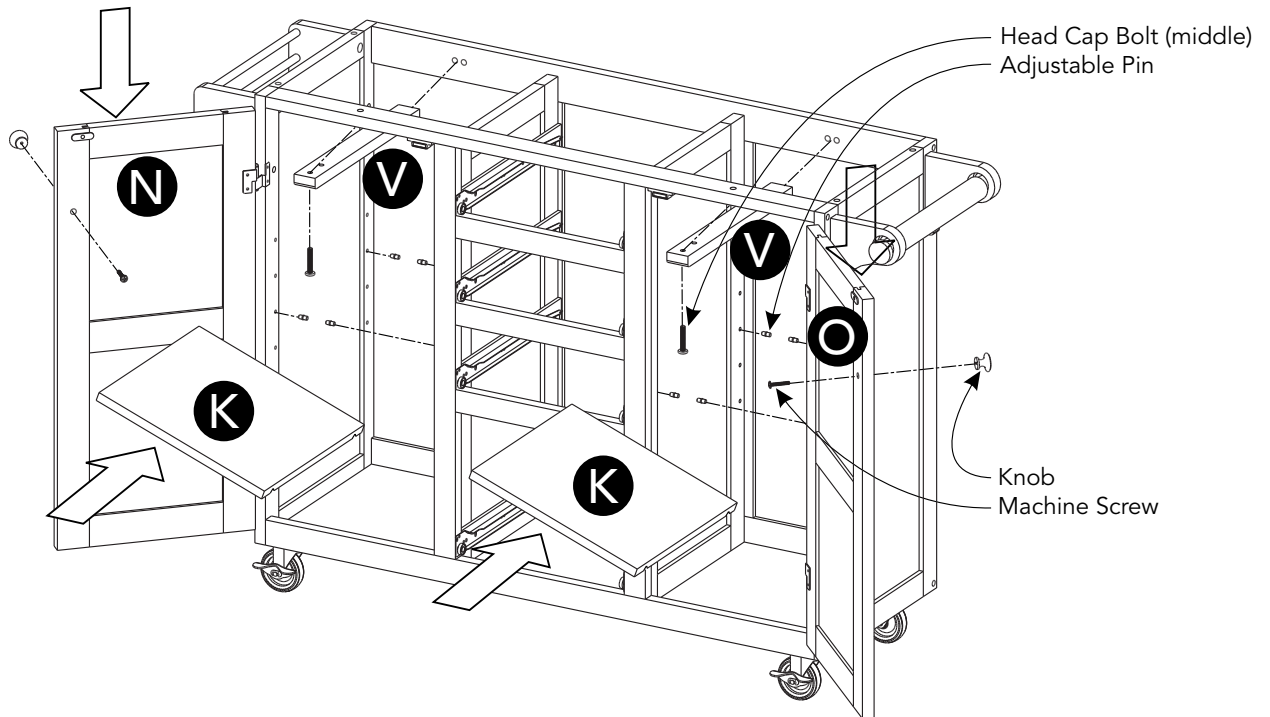
Slide Rack Base (R) and Pipes (S) into Rack Side (P).

Attach Rack Side (Q) to unit with Head Cap Bolt.

Attach Arm Handles (L) to unit with Head Cap Bolts. (See Figure 4)

Slide Arm (M) into position.

## Assembly Instructions 5/8



### STEP 6

Insert Adjustable Pins into side panels and middle panels at desired level.  
(See Figure 5)

Place Shelves (K) into position.

Attach Doors (N) and (O) to unit by sliding door hinges into side panel hinges.  
(See Figure 6)

Attach Knobs to Doors (N) and (O) with Machine Screws.  
(See Figure 7)

Attach Supports (V) to unit with Head Cap Bolts (middle).

Note: Supports (V) and Head Cap Bolts (middle) are in 9100 Top carton.

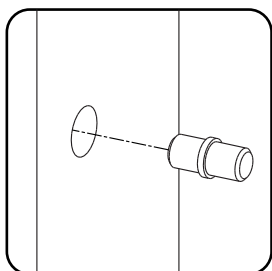


Figure 5

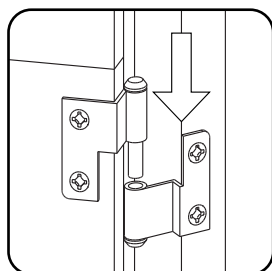


Figure 6

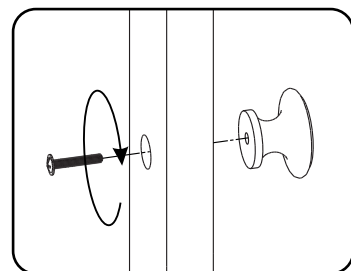
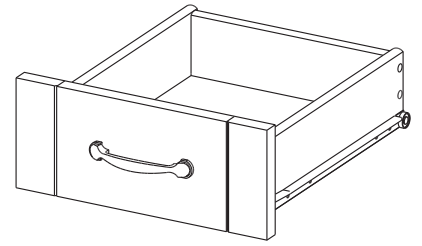


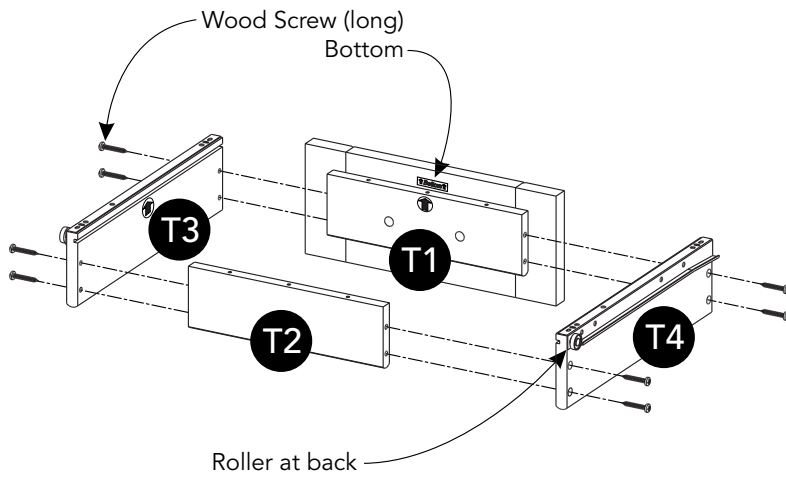
Figure 7

# Assembly Instructions 6/8

## Drawer (T)



### STEP 7



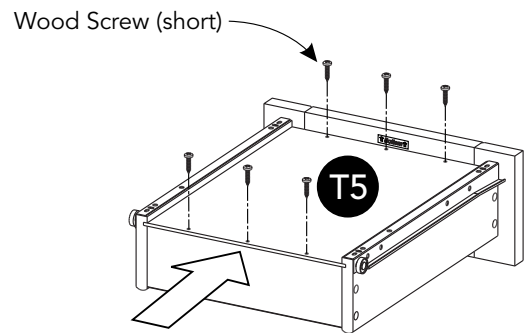
Attach Drawer Front (T1) and Drawer Back (T2) to Drawer Side (T3) with Wood Screws (long).

Attach Drawer Side (T4) to unit with Wood Screws (long).

### STEP 8

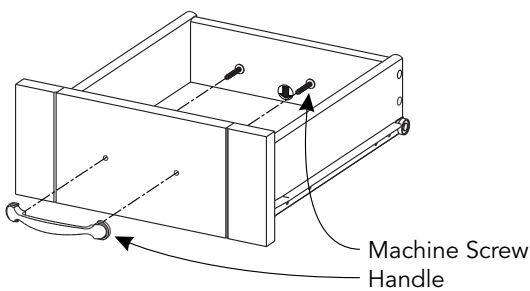
Slide Drawer Bottom (T5) into groove.

Attach Drawer Bottom (T5) to unit with Wood Screws (short).

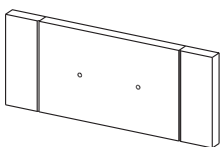


### STEP 9

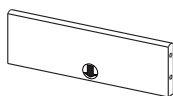
Attach Handle with Machine Screws.



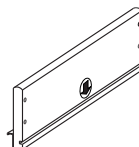
## Part List



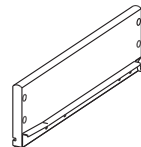
T1.  
Drawer Front  
3 pcs.



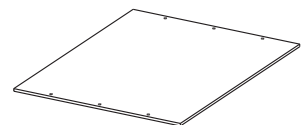
T2.  
Drawer Back  
3 pcs.



T3.  
Drawer Side  
3 pcs.



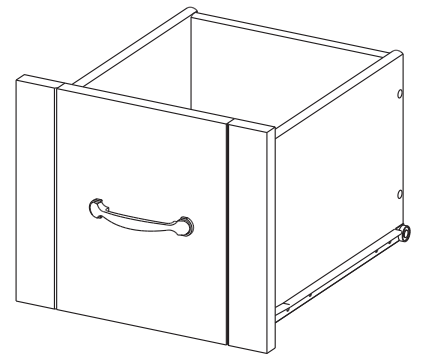
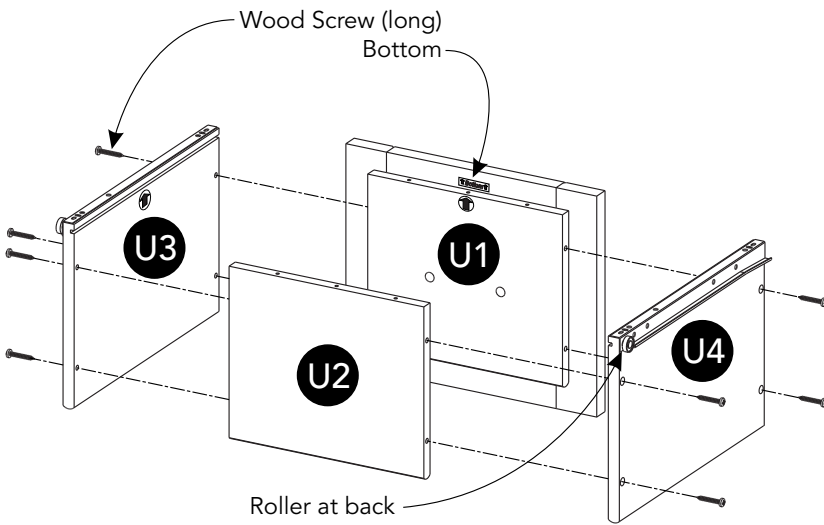
T4.  
Drawer Side  
3 pcs.



T5.  
Drawer Bottom  
3 pcs.

# Assembly Instructions 7/8

## Drawer (U)



### STEP 10

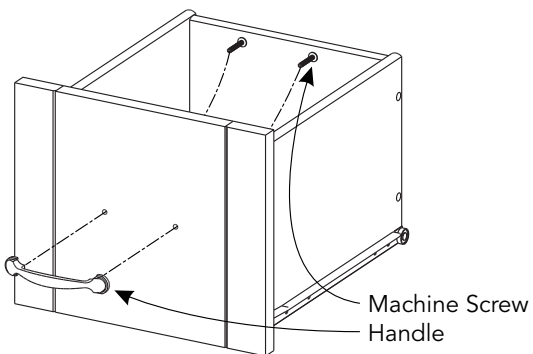
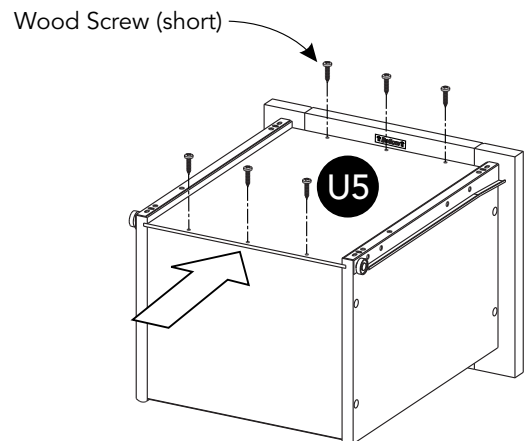
Attach Drawer Front (U1) and Drawer Back (U2) to Drawer Side (U3) with Wood Screws (long).

Attach Drawer Side (U4) to unit with Wood Screws (long).

### STEP 11

Slide Drawer Bottom (U5) into groove.

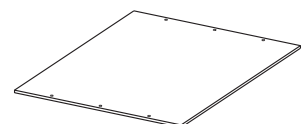
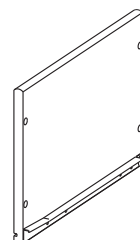
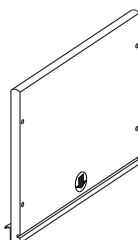
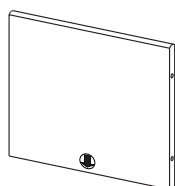
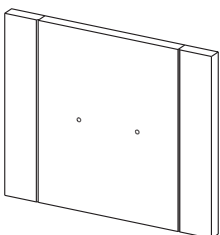
Attach Drawer Bottom (U5) to unit with Wood Screws (short).



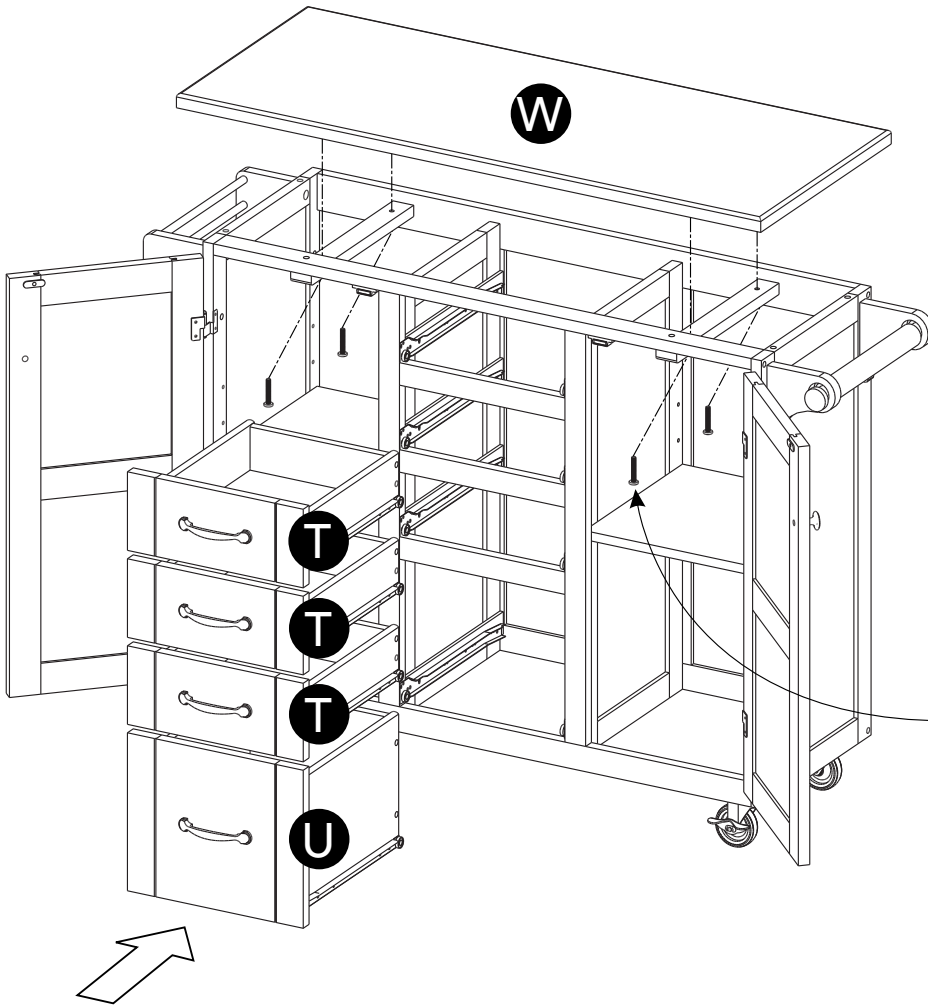
### STEP 12

Attach Handle with Machine Screws.

## Part List



**STEP 13**



Attach Top (W) to unit with Head Cap Bolts (middle).

Slide Drawers (T) and (U) into position.

Head Cap Bolt (middle)

**STEP 14**

Cover all holes with Wood Plugs.  
(See Figure 8)

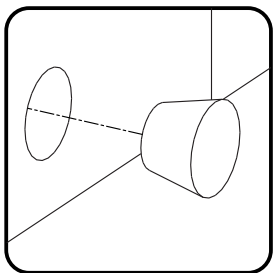
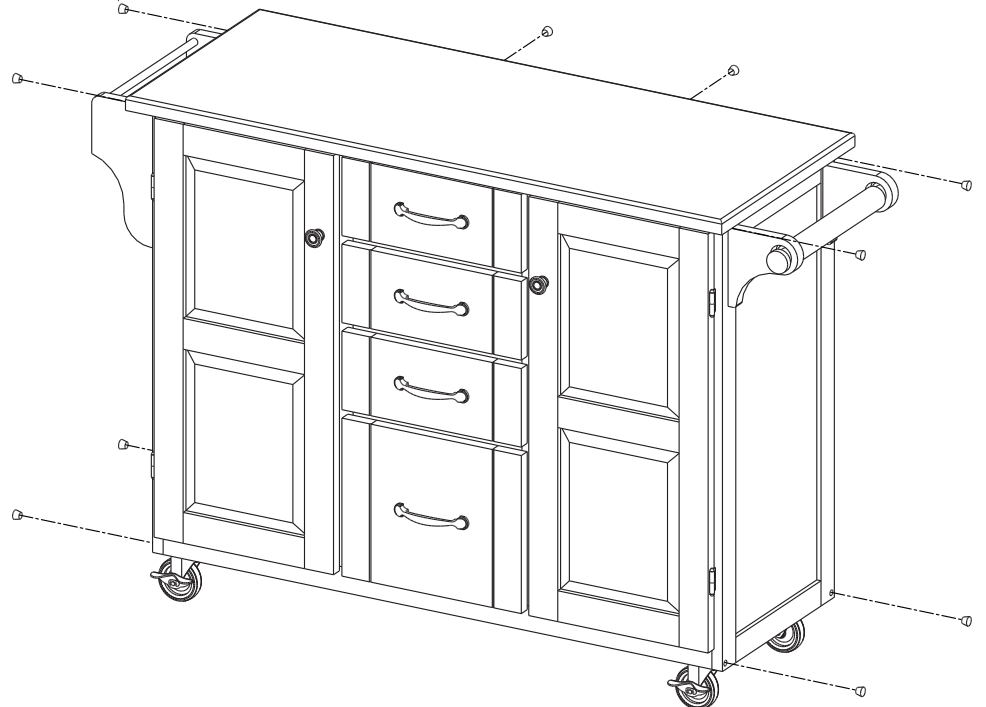


Figure 8

Wood Plug



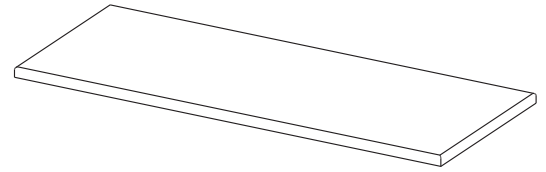
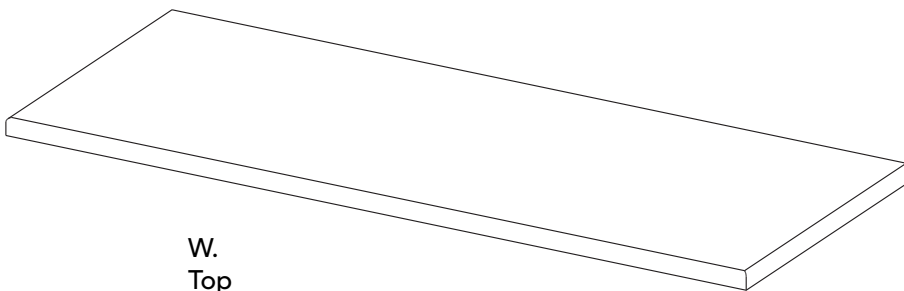


**IMPORTANT**

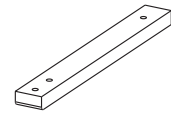
Carefully remove all the parts from the carton and place them individually on a soft cloth to prevent scratches or other damage.

Carefully and strictly follow these assembly instructions to ensure a completed product as designed.

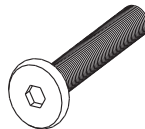
Do not use power tools above 8 volts to assemble.

**Part List**

W.  
Top  
1 pc.



V.  
Support  
2 pcs.

**Hardware List**

M6x30  
Head Cap Bolt (middle)  
6 pcs. (+1 extra)

**Care Instructions**

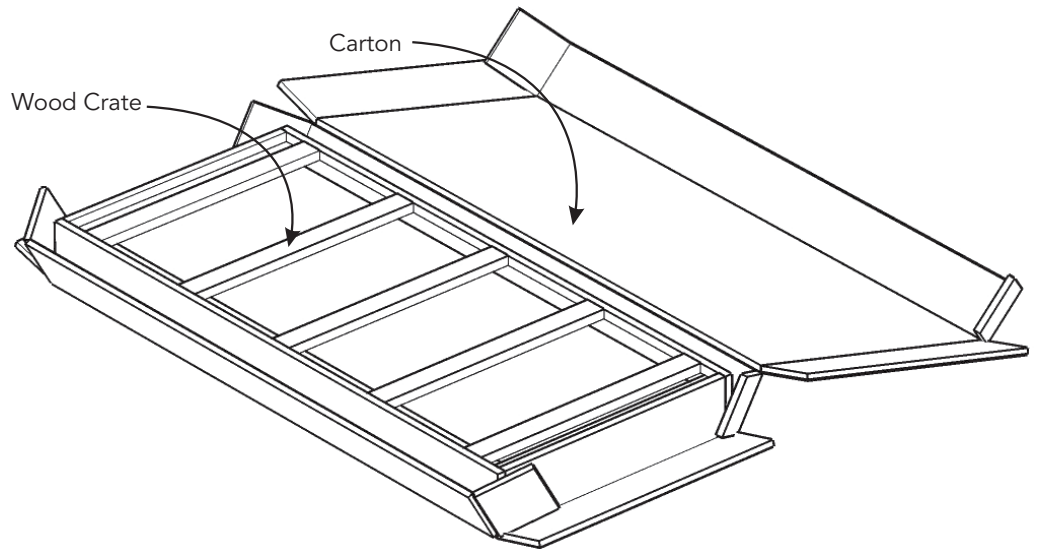
Granite is a natural stone material with naturally occurring fissures and cavities. A sealer has been applied to the granite to reduce the absorption of liquids. Even with sealer applied, liquids can absorb into the granite causing permanent stains. Never allow liquids to remain on the top. A stone sealer can be reapplied periodically to the granite to reduce the absorption of liquids.

**For assembly see instructions in Cart carton.**

# Unpacking Instructions

## STEP 1

Open carton.



## STEP 2

Use a hammer to remove wood supports.  
(See Figure 1)

Note: Do not hit top with hammer.

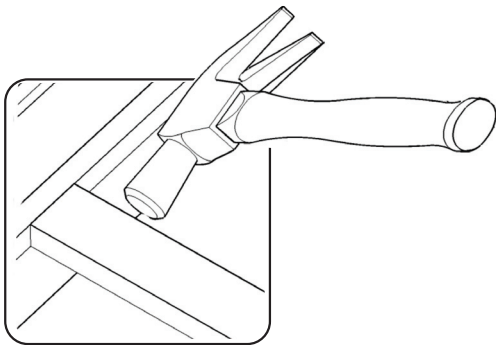
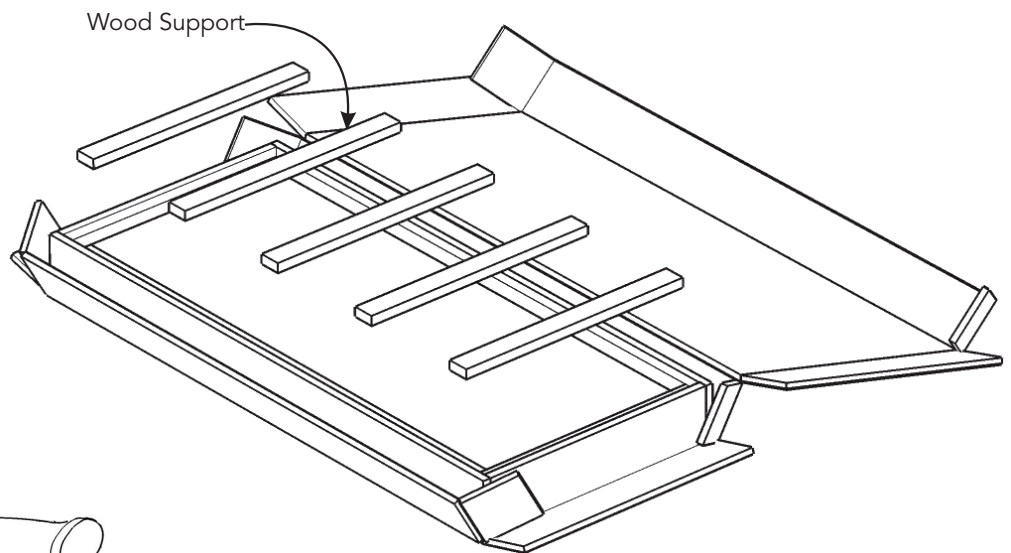
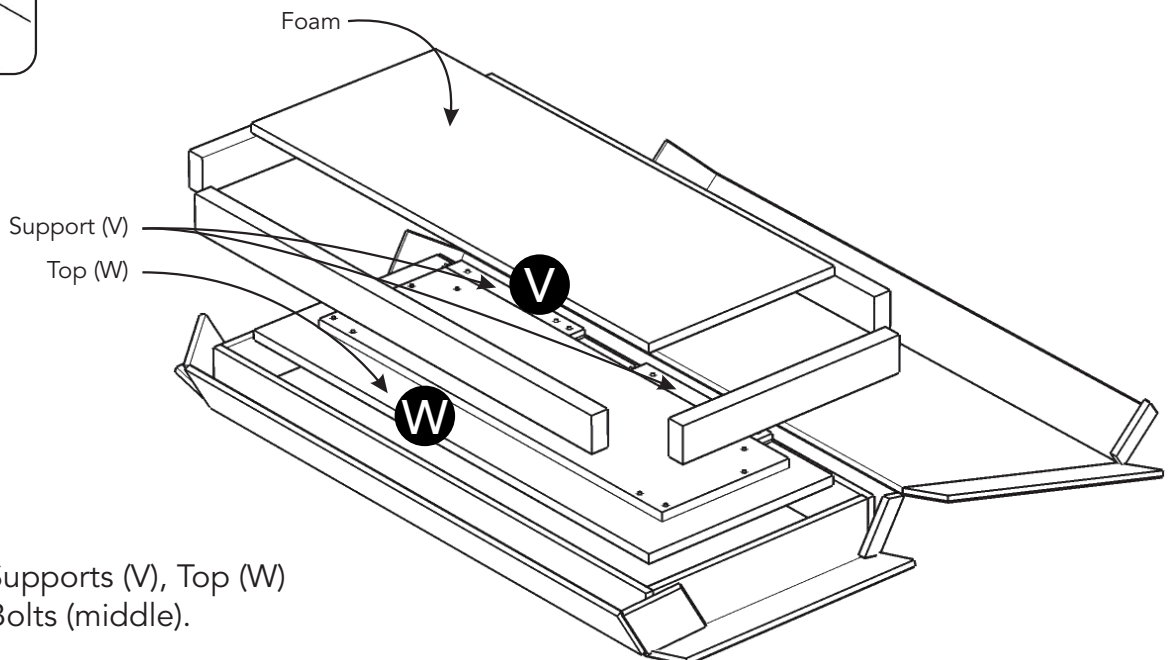


Figure 1



## STEP 3

Remove foam, Supports (V), Top (W)  
and Head Cap Bolts (middle).

# CARE INSTRUCTIONS

## NEVER

allow liquids to remain on furniture.  
Absorption causes parts to warp  
and split and finishes to delaminate.

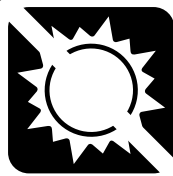
## NEVER

use glass cleaners on  
finished furniture. Ammonia  
chemically attacks the finish.



Do not use power tools  
above 8 volts to assemble.

**PREVENT  
CRACKING**



Do not place  
in direct sunlight.

**PREVENT  
FADING**



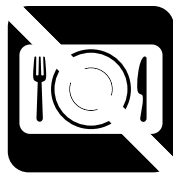
Do not write  
directly on surface.

**PREVENT  
MARKING**



Do not place hot  
objects on surface.

**PREVENT  
FINISH DAMAGE**



Do not use rubber  
based placemats.

**PREVENT  
DISCOLORING**



Do not use commercial  
waxes and polishes.

**PREVENT  
YELLOWING**

## CLEAN

with a soft cloth moistened  
in lukewarm soap and water.  
Buff with a dry clean cloth.



**homestyles** will provide replacements free of charge for missing or damaged parts within 30 days of purchase. Digital images of the defective parts may be required. If the product was not purchased from an authorized retailer, **homestyles** is under no obligation to provide replacement parts. Parts are not available for fully assembled items nor are parts available for sale. Replacements for missing or damaged parts may be requested via contact info below.

**homestyles** Customer Service: [www.homestylesfurniture.com](http://www.homestylesfurniture.com),  
[servicedesk@homestylesfurniture.com](mailto:servicedesk@homestylesfurniture.com), 888-680-7460