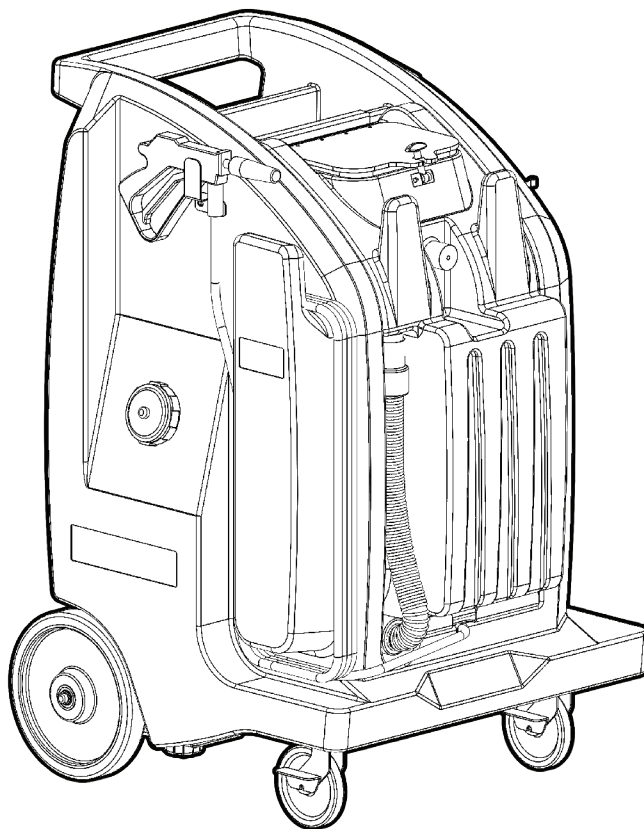


CC17 HP



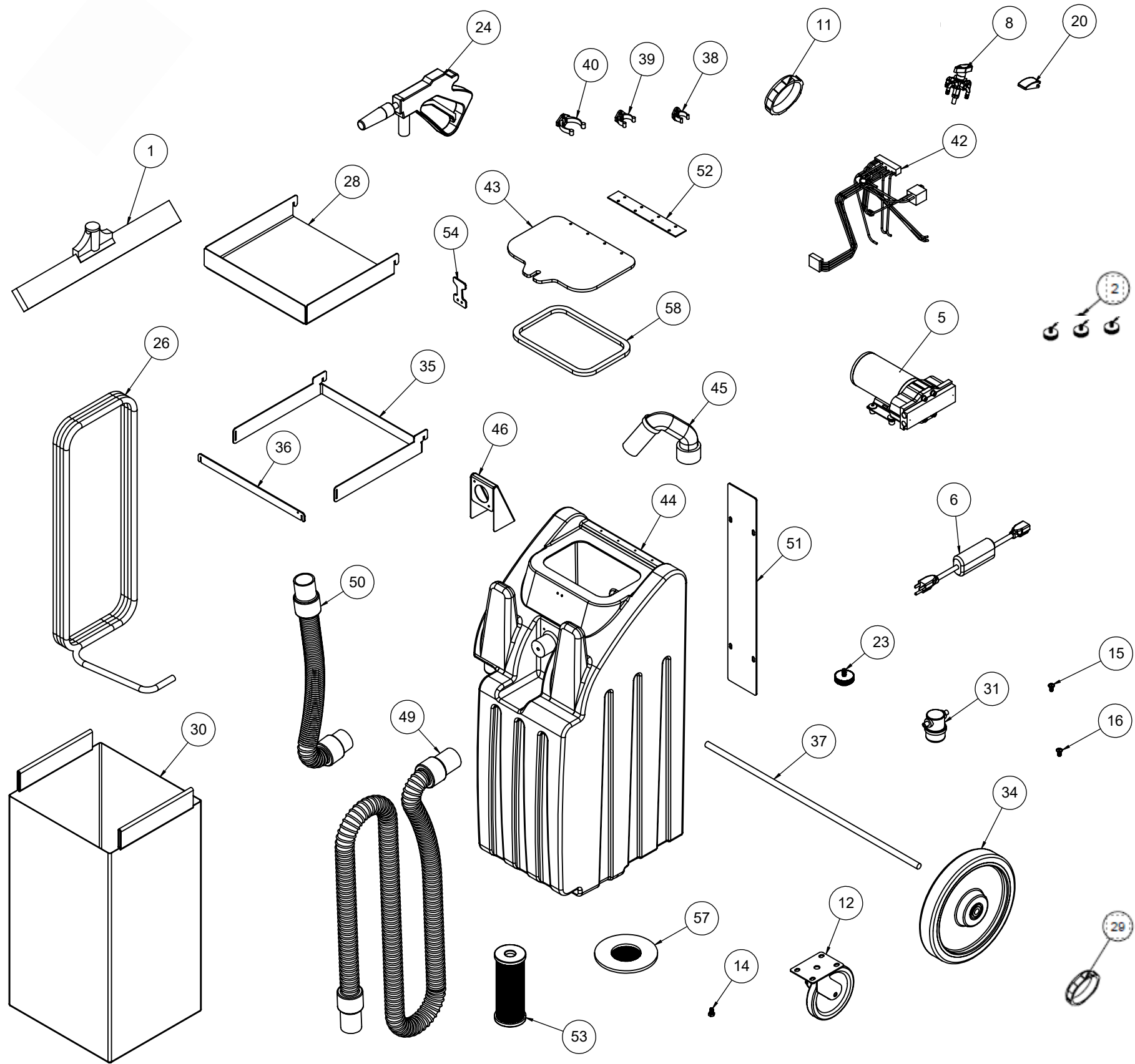
Use and Maintenance manual

HILLYARD  


 **TRIDENT**<sup>®</sup>

by HILLYARD





| <i>Material</i> | <i>Position</i> | <i>Qty</i> | <i>Description</i>                               | <i>Material</i> | <i>Position</i> | <i>Qty</i> | <i>Description</i>          |
|-----------------|-----------------|------------|--|-----------------|-----------------|------------|-----------------------------|
| HIL30340        | 1               | 1          | Squeegee 18"                                     | HIL30919        | 35              | 1          | Garbage Bag Bracket CC17    |
| HIL30376        | 2               | 1          | Cap Insert gap & gasket replacement kit (3-Pack) | HIL30920        | 36              | 1          | Garbage Bag Lock Bar CC17   |
| HIL30390        | 4               | 1          | Pump Unloader CC17HP/C3HP                        | HIL30921        | 37              | 1          | Axle CC17                   |
| HIL30391        | 5               | 1          | C3HP PUMP REPLACEMENT HEAD ONLY                  | HIL30950        | 38              | 1          | CC17 QUART BOTTLE ADAPTER   |
| HIL30394        | 6               | 1          | GFCI Power Cord                                  | HIL30951        | 39              | 1          | CC17 ACCESSORY CLIP BRACKET |
| HIL30550        | 8               | 1          | Selector Valve Assembly                          | HIL30952        | 40              | 1          | CC17 RECOVERY WAND HOLDER   |
| HIL30724        | 9               | 1          | CC17 Recovery Vac Motor                          | HIL30926        | 42              | 1          | Wiring Harness CC17HP/XPC   |
| HIL30757        | 11              | 1          | Tank Cap 6"                                      | HIL30927        | 43              | 1          | Recovery Tank Lid           |
| HIL30762        | 12              | 1          | Front Wheel Caster and Brake                     | HIL30928        | 44              | 1          | Recovery Tank               |
| HIL30769        | 14              | 1          | Flange Bolts for Casters, 1/4-20 x 1/2"          | HIL30929        | 45              | 1          | Float Assembly              |
| HIL30770        | 15              | 1          | Phillips Screw 1/4-20 x 1/2"                     | HIL30930        | 46              | 1          | Baffle                      |
| HIL30771        | 16              | 1          | Zinc Plated Phillips Screw, 1/4-20 x 1/2"        | HIL30931        | 47              | 1          | Recovery Hose 30-feet       |
| HIL30809        | 19              | 1          | 1/4" x 3/8" Tubing (sold by the foot)            | HIL30932        | 48              | 1          | Accessory Hang Panel        |
| HIL30829        | 20              | 1          | Rocker Switch                                    | HIL30934        | 49              | 1          | Vac Hose                    |
| HIL30830        | 21              | 1          | 1/2" Push Nut Plated                             | HIL30935        | 50              | 1          | Drain Hose                  |
| HIL30832        | 22              | 1          | Check Valve 1/4"                                 | HIL30936        | 51              | 1          | Cable Cover Panel           |
| HIL30844        | 23              | 1          | Cap Insert and Gasket Replacement (Single)       | HIL30937        | 52              | 1          | Lid Hinge                   |
| HIL30865        | 24              | 1          | Spray Gun Assembly CC17HP/C3HP                   | HIL30938        | 53              | 1          | Vac Filter                  |
| HIL30900        | 26              | 1          | Operator Hose                                    | HIL30939        | 54              | 1          | Tank Lid Latch              |
| HIL30912        | 28              | 1          | Common Shelf CC17                                | HIL30944        | 55              | 1          | Vac Motor Filter            |
| HIL30913        | 29              | 1          | Drain Cap  | HIL30945        | 56              | 1          | Vac Motor Top Gasket        |
| HIL30914        | 30              | 1          | Fabric Bag CC17                                  | HIL30946        | 57              | 1          | Vac Motor Screen and Gasket |
| HIL30915        | 31              | 1          | In Line Filter CC17                              | HIL30947        | 58              | 1          | Recovery Lid Gasket         |
| HIL30918        | 34              | 1          | 10" Rear Wheel CC17                              |                 |                 |            |                             |

|          |   |   |   |   |
|----------|---|---|---|---|
| HIL20042 | 1 | 1 | HANDLE TEL ALUM 39.5X72IN BK W BL GRIP  |    |
| HIL30393 | 2 | 1 | SIGHT GAUGE KIT FOR C3XP C3HP C3XPC     |    |
| HIL30889 | 3 | 1 | C3HP QUICK DISCONNECT                   |    |
| HIL30892 | 4 | 1 | DAILY CLEANING KIT FOR C3 AND CC17      |    |
| PUM31032 | 5 | 1 | CHEMICAL INJECTOR 1.5MM EPDM FOR C3HP   |    |
| UNGPR300 | 6 | 1 | PRO STNLS STL SQUEEGEE CMPLT 12IN 10 CS |  |
| HIL30384 | 7 | 1 | Chemical Injector                       |  |

**\*\* Not Pictured \*\***

|          |    |   |                                    |
|----------|----|---|------------------------------------|
| HIL30912 | 8  | 1 | COMMON SHELF CC17XP CC17XPC CC17HP |
| HIL30940 | 9  | 1 | REPLACEMENT PUMP ASSEMBLY CC17HP   |
| HIL30945 | 10 | 1 | VAC MOTOR TOP GASKET               |
| HIL30954 | 11 | 1 | VAC MOTOR MOUNT PLATE FOR CC17     |
| HIL99248 | 12 | 1 | TRIDENT CC17 RECOVERY UNIT         |