

Heavy Duty Roll Grooving Machine



- Français – 21
- Castellano – pág. 35
- Deutsch – 69

Table of Contents

Safety Symbols	2
General Power Tool Safety Warnings*	
Work Area Safety	2
Electrical Safety	2
Personal Safety	3
Power Tool Use And Care.....	3
Service	3
Specific Safety Information	4
Roll Groover Safety Instructions.....	4
RIDGID® Contact Information	4
Description	4
Specifications	5
Standard Equipment.....	6
Assembly	
Assembling Roll Groover.....	6
Pre-Operation Inspection	7
Set-Up and Operation	8
Operation	9
Pipe Preparation.....	9
Advance/Retract The Groove Roll	9
Loading Pipe in Roll Groover.....	10
Setting/Adjusting Groove Diameter	11
Stabilizer Operation.....	11
Grooving Operation	12
Tracking Tips	13
Inspect/Measure the Groove	13
Preparing Machine for Transport	13
Storage.....	14
Maintenance Instructions	14
Cleaning	14
Lubrication.....	14
Hydraulic Fluid Level	14
Changing Roll Sets.....	14
Replacing Carbon Brushes	16
Troubleshooting.....	17
Service And Repair	19
Optional Equipment	19
Disposal	19
Table I. Pipe Wall Thickness	19
Table II. Standard Roll Groove Specifications⁽¹⁾	20
Table III. Copper Roll Groove Specifications	20
EC Declaration	Inside Back Cover
Lifetime Warranty	Back Cover

*Original Instructions - English

Roll Groover

918-I Roll Groover



WARNING!

Read this Operator's Manual carefully before using this tool. Failure to understand and follow the contents of this manual may result in electrical shock, fire and/or serious personal injury

918-I Roll Groover


Record Serial Number below and retain product serial number which is located on nameplate.

Serial
No.

--	--

Safety Symbols

In this operator's manual and on the product, safety symbols and signal words are used to communicate important safety information. This section is provided to improve understanding of these signal words and symbols.


 This is the safety alert symbol. It is used to alert you to potential personal injury hazards. Obey all safety messages that follow this symbol to avoid possible injury or death.


 **DANGER** DANGER indicates a hazardous situation which, if not avoided, will result in death or serious injury.


 **WARNING** WARNING indicates a hazardous situation which, if not avoided, could result in death or serious injury.


 **CAUTION** CAUTION indicates a hazardous situation which, if not avoided, could result in minor or moderate injury.


 **NOTICE** NOTICE indicates information that relates to the protection of property.


 This symbol means read the operator's manual carefully before using the equipment. The operator's manual contains important information on the safe and proper operation of the equipment.


 This symbol means always wear safety glasses with side shields or goggles when handling or using this equipment to reduce the risk of eye injury.


 This symbol indicates the risk of machine tipping, causing striking or crushing injuries.


 This symbol indicates the risk of fingers and hands being crushed between the groove rolls or groove rolls and pipe.


 This symbol indicates that the pipe to be grooved should be a minimum of 8" (200 mm) long to reduce the risk of injury.


 This symbol means not to reach inside of pipe while operating to reduce the risk of entanglement.


 This symbol indicates the risk of electrical shock.

 This symbol means always use a foot switch when using this machine to reduce the risk of injury.

 This symbol means do not disconnect foot switch to reduce the risk of injury.

 This symbol means do not block foot switch (lock in ON position) to reduce the risk of injury.

 This symbol indicates the risk of hands, fingers, legs, clothes and other objects catching and/or wrapping on rotating shafts causing crushing or striking injuries.

 This symbol indicates the risk of fingers, hands, clothes, and other objects catching on or between rotating parts and causing crushing injuries.

General Power Tool Safety Warnings*

WARNING

Read all safety warnings, instructions, illustrations and specifications provided with this power tool. Failure to follow all instructions listed below may result in electric shock, fire and/or serious injury.

SAVE ALL WARNINGS AND INSTRUCTIONS FOR FUTURE REFERENCE!

The term "power tool" in the warnings refers to your mains-operated (corded) power tool or battery-operated (cordless) power tool.

Work Area Safety

- **Keep work area clean and well lit.** Cluttered or dark areas invite accidents.

- **Do not operate power tools in explosive atmospheres, such as in the presence of flammable liquids, gases or dust.** Power tools create sparks which may ignite the dust or fumes.
- **Keep children and bystanders away while operating a power tool.** Distractions can cause you to lose control.

Electrical Safety

- **Power tool plugs must match the outlet. Never modify the plug in any way. Do not use any adapter plugs with earthed (grounded) power tools.** Unmodified plugs and matching outlets will reduce risk of electric shock.
- **Avoid body contact with earthed or grounded surfaces, such as pipes, radiators, ranges and refrigerators.** There is an increased risk of electric shock if your body is earthed or grounded.

* The text used in the general power tool safety warnings section of this manual is verbatim, as required, from the applicable UL/CSA/EN 62841-1 standard. This section contains general safety practices for many different types of power tools. Not every precaution applies to every tool, and some do not apply to this tool.

- **Do not expose power tools to rain or wet conditions.** Water entering a power tool will increase the risk of electric shock.
- **Do not abuse the cord. Never use the cord for carrying, pulling or unplugging the power tool. Keep cord away from heat, oil, sharp edges or moving parts.** Damaged or entangled cords increase the risk of electric shock.
- **When operating a power tool outdoors, use an extension cord suitable for outdoor use.** Use of a cord suitable for outdoor use reduces the risk of electric shock.
- **If operating a power tool in a damp location is unavoidable, use a Ground Fault Circuit Interrupter (GFCI) protected supply.** Use of a GFCI reduces the risk of electric shock.

Personal Safety

- **Stay alert, watch what you are doing and use common sense when operating a power tool. Do not use a power tool while you are tired or under the influence of drugs, alcohol or medication.** A moment of inattention while operating power tools may result in serious personal injury.
- **Use personal protective equipment. Always wear eye protection.** Protective equipment such as dust mask, non-skid safety shoes, hard hat, or hearing protection used for appropriate conditions will reduce personal injuries.
- **Prevent unintentional starting. Ensure the switch is in the OFF-position before connecting to power source and/or battery pack, picking up or carrying the tool.** Carrying power tools with your finger on the switch or energizing power tools that have the switch ON invites accidents.
- **Remove any adjusting key or wrench before turning the power tool ON.** A wrench or a key left attached to a rotating part of the power tool may result in personal injury.
- **Do not overreach. Keep proper footing and balance at all times.** This enables better control of the power tool in unexpected situations.
- **Dress properly. Do not wear loose clothing or jewelry. Keep your hair, clothing and gloves away from moving parts.** Loose clothes, jewelry or long hair can be caught in moving parts.
- **If devices are provided for the connection of dust extraction and collection facilities, ensure these are connected and properly used.** Use of dust collection can reduce dust-related hazards.
- **Do not let familiarity gained from frequent use of tools allow you to become complacent and ignore tool safety principles.** A careless action can cause severe injury within a fraction of a second.

Power Tool Use And Care

- **Do not force the power tool. Use the correct power tool for your application.** The correct power tool will do the job better and safer at the rate for which it was designed.
- **Do not use the power tool if the switch does not turn it ON and OFF.** Any power tool that cannot be controlled with the switch is dangerous and must be repaired.
- **Disconnect the plug from the power source and/or remove the battery pack, if detachable, from the power tool before making any adjustments, changing accessories, or storing power tools.** Such preventive safety measures reduce the risk of starting the power tool accidentally.
- **Store idle power tools out of the reach of children and do not allow persons unfamiliar with the power tool or these instructions to operate the power tool.** Power tools are dangerous in the hands of untrained users.
- **Maintain power tools and accessories. Check for misalignment or binding of moving parts, breakage of parts and any other condition that may affect the power tool's operation. If damaged, have the power tool repaired before use.** Many accidents are caused by poorly maintained power tools.
- **Keep cutting tools sharp and clean.** Properly maintained cutting tools with sharp cutting edges are less likely to bind and are easier to control.
- **Use the power tool, accessories and tool bits etc. in accordance with these instructions, taking into account the working conditions and the work to be performed.** Use of the power tool for operations different from those intended could result in a hazardous situation.
- **Keep handles and grasping surfaces dry, clean and free from oil and grease.** Slippery handles and grasping surfaces do not allow for safe handling and control of the tool in unexpected situations.

Service

- **Have your power tool serviced by a qualified repair person using only identical replacement parts.** This will ensure that the safety of the power tool is maintained.

Specific Safety Information

⚠ WARNING

This section contains important safety information that is specific to this tool. Read these precautions carefully before using 918-I Roll Groover to reduce the risk of electrical shock or other serious injury.

SAVE ALL WARNINGS AND INSTRUCTIONS FOR FUTURE REFERENCE!

Keep this manual with the machine for use by the operator.

Roll Groover Safety Instructions

- **Keep hands away from grooving rolls.** Do not wear loose fitting gloves. Fingers can be crushed between groove rolls, groove roll and pipe or between pipe and stabilizer wheel.
- **Keep hands away from ends of pipe. Do not reach inside pipe. Do not touch groove while operating.** Burrs and sharp edges can catch and cut. Fingers can be crushed between groove rolls or between groove rolls and pipe.
- **Keep guards in place. Do not operate the roll groover with the guard removed.** Exposure to groove rolls may result in entanglement and serious injury.
- **Only groove pipe 8" (200 mm) or longer.** Grooving shorter than specified pipe can result in entanglement and crushing injuries.
- **Do not wear loose clothing when operating machine. Keep sleeves and jackets buttoned. Do not reach across the machine or pipe.** Clothing can be caught by the pipe or machine resulting in entanglement.
- **Do not use this machine if the foot switch is broken or missing. Never block a foot switch in the ON position so it does not control the machine.** A foot switch provides better control by letting you shut OFF the machine motor by removing your foot. If entanglement should occur and power is maintained to the motor, you will be pulled into the machine. This machine has high torque and can cause clothing to bind around your arm or other body parts with enough force to crush or break bones or cause striking or other injuries.
- **Be sure that the roll groover, pipe and stands are stable.** Be sure the roll groover is properly set up and secured. This will help prevent tipping of the equipment and pipe. Properly support the pipe. This will help to prevent the tipping of the pipe and equipment.
- **Properly prepare and handle pipe.** Burrs and sharp edges can catch and cut.
- **One person must control the work process, machine operation and foot switch.** Only the operator should be in the work area when the machine is running. This helps reduce the risk of injury.
- **Restrict access or barricade the area when workpiece extends beyond machine to provide a minimum of one meter (3 feet) clearance from the workpiece.** Restricting access or barricading the work area around the workpiece will reduce the risk of entanglement.
- **Always wear appropriate personal protective equipment while setting up and using the roll groover.** Appropriate personal protective equipment always includes eye protection and may include equipment such as tight fitting leather gloves and steel toed footwear.
- **Only use roll groover to groove pipe of recommended sizes and types according to these instructions.** Other uses or modifying the roll groover for other applications may increase the risk of injury.
- **Before operating roll groover, read and understand:**
 - This operator's manual
 - The fitting manufacturer's installation instructions
 - The instructions for any other material or equipment used with this tool

Failure to follow all instructions and warnings may result in property damage and/or serious injury.

RIDGID Contact Information

If you have any question concerning this RIDGID® product:

- Contact your local RIDGID® distributor.
- Visit RIDGID.com to find your local RIDGID contact point.
- Contact Ridge Tool Technical Service Department at ProToolsTechService@Emerson.com, or in the U.S. and Canada call 844-789-8665.

Description

The RIDGID® 918-I Roll Groover is designed to form rolled grooves in steel, stainless steel, aluminum, PVC pipes and copper tubes. The grooves are formed by hydraulically advancing the groove roll into the pipe, which is supported by the drive roll.

The 918-I Roll Groover typically includes two groove and drive roll sets for grooving pipe:

- 2"-6" schedule 10 and 40 steel pipe
- 8"-12" schedule 10 and 8" Schedule 40 steel pipe

Other materials can be grooved – see tables in appendix. Other groove and drive shaft sets are required for other sizes and copper tubing.

A two-stage hydraulic hand pump is used to advance the groove roll into the pipe to form grooves. An adjustment nut is included to control groove diameter.

An adjustable stabilizer is provided to aid in maintaining tracking and control of the pipe during grooving, especially pipe lengths approaching the 8" minimum pipe length.

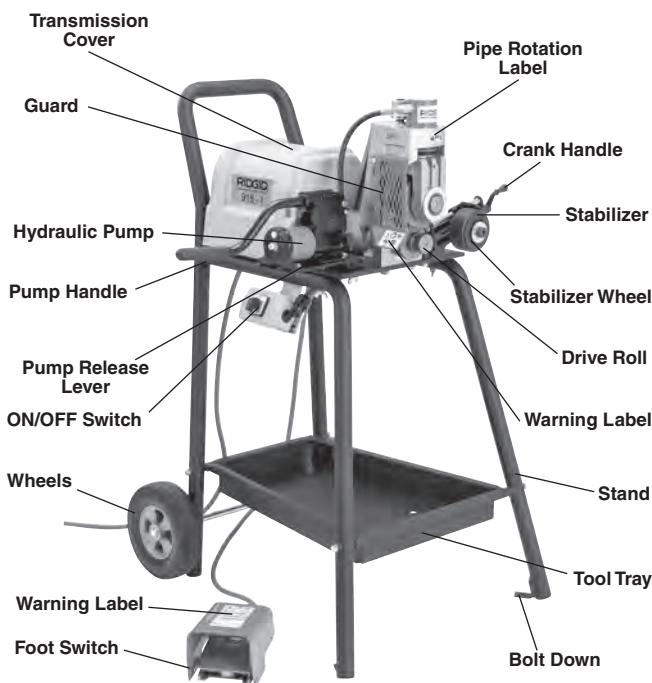


Figure 1A – 918-I Roll Groover

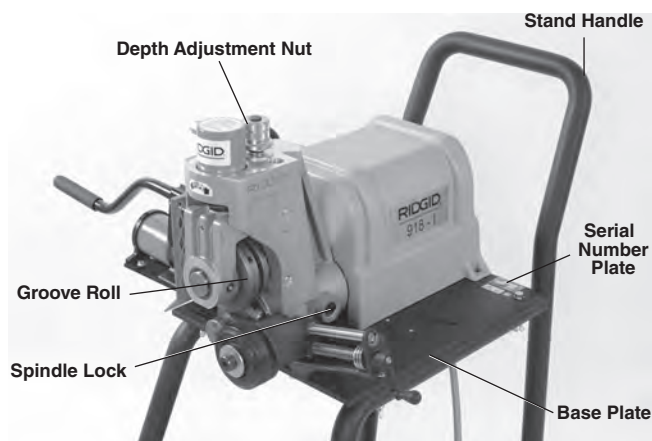


Figure 1B – 918-I Roll Groover

Specifications

Materials,
Pipe Steel, Stainless Steel, Aluminum, Copper and PVC

Capacity
Standard Groove
Roll Sets 2"-6" schedule 10 and 40 steel pipe

Optional Groove
Roll sets 8"-12" schedule 10 and 8" Schedule 40# steel pipe
1" schedule 10 and 40 steel pipe
1¼" to 1½" schedule 10 and 40 steel pipe
2" - 6" Copper Tube (Type K, L, M, & DWV)

Refer to the Table I, II and III for other materials and wall thicknesses

Depth
Adjustment Depth Adjustment Nut
Actuation 2 Stage Hydraulic Hand Pump
Stabilizer Manually adjusted, for 2½" to 12" Pipe

Motor
Type Universal

Volts (V) 120 220-240

Frequency (Hz) . 50/60 50/60

Current (A) 12.0 6.0

Power (W) 1400 1400

Controls Rotary Type ON/OFF Switch and ON/OFF Foot switch

Stand 918-I Stand 918-I Low Stand

Stand Mounting
Height 34" (865mm) 27.4" (696 mm)

Weight
(with Stand) 185 lbs. (84.1 kg)

Dimensions w/Pump in working position:
With Stand
(WxDxH) 39" x 35" x 51.3"
(990 mm x 889 mm x 1303 mm)

With Low Stand
(WxDxH) 39" x 35" x 44.3"
(990 mm x 889 mm x 1125 mm)

Sound Pressure
(L_{PA})* 92.9 dB(A), K=3

Sound Power
(L_{WA})* 105.7 dB(A), K=3

* Sound measurements are measured in accordance with a standardized test per Standard EN 62841-1.
- Sound emissions may vary due to your location and specific use of these tools.

- Daily exposure levels for sound need to be evaluated for each application and appropriate safety measures taken when needed. Evaluation of exposure levels should consider the time a tool is switched OFF and not in use. This may significantly reduce the exposure level over the total working period.

Do not use to groove 8" schedule 40 steel pipe harder than 150 BHN. This may result in improperly formed / out of specification grooves.

Standard Equipment

Refer to the RIDGID catalog for details on accessories supplied with specific machine catalog numbers.

The 918-I Roll Groover serial number plate is located on the base plate. The last 4 digits indicate the month (MM) and year (YY) of the manufacture.

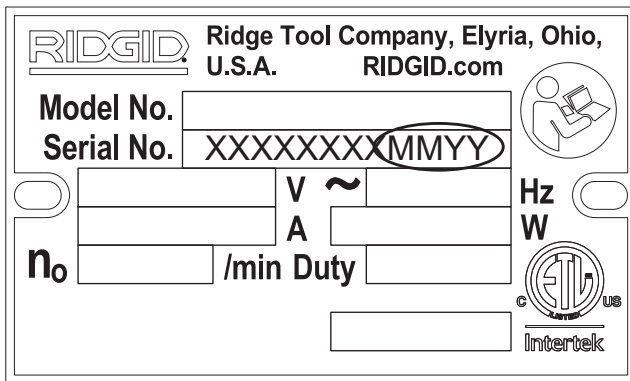


Figure 3 – Machine Serial Number

NOTICE When properly used, the Model 918-I Roll Groover is designed to make grooves in 1" – 12" pipe that are dimensionally within the specifications of AWWA C606-15. Improper use of this equipment can make out of specification grooves and damage the pipe and equipment.

Selection of appropriate materials and joining methods is the responsibility of the system designer and/or installer. Before any installation is attempted, careful evaluation of the specific service environment, including chemical environment and service temperature, should be completed. Selection of improper materials and methods could cause system failure.

Stainless steel and other corrosion resistant materials can be contaminated during installation, joining and forming. This contamination could cause corrosion and premature failure. Careful evaluation of materials and methods for the specific service conditions, including chemical and temperature, should be completed before any installation is attempted.

Assembly

⚠ WARNING

To reduce the risk of serious injury during use, follow these procedures for proper assembly.

Use proper lifting techniques. The 918-I Roll Groover with Stand weighs 185 lbs. (84.1 kg)

Assembling Roll Groover

1. Attach right and left legs to the rear support/handle assembly using $\frac{3}{8}$ " – 16 x 2½" hex screws and lock washers. Do not tighten screws.
2. Attach the tool tray assembly to the rear and front legs using the four (4) $\frac{3}{8}$ " – 16 x 2¾" hex screws and lock washers. Do not tighten screws.
3. Insert axle into tabs extending from the rear support/handle assembly and secure using four (4) retaining rings, See Figure 4.

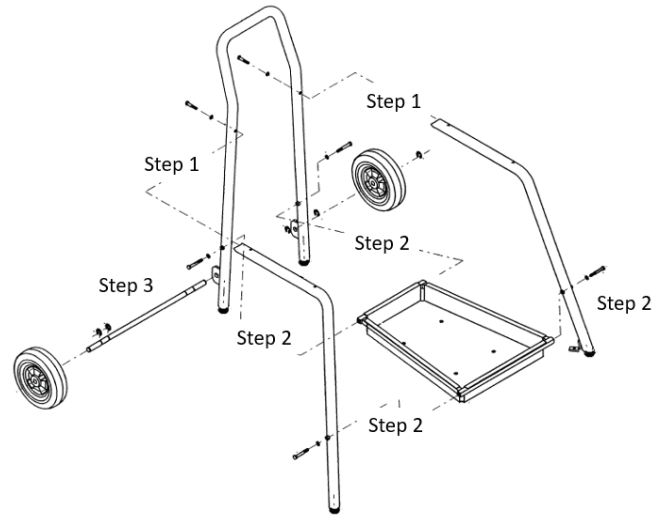


Figure 4 – Assembling Stand

4. Mount the roll groover/base assembly to the stand using four (4) $\frac{3}{8}$ " – 16 x 2½" hex screws, washers and wing nuts (Figure 5). Carefully place the switch assembly under the stand rail. Movement of the stand legs may be required to align the base assembly.

Bolt heads go to top, wing nuts and lock washers to the bottom (stand) side. Installation of the last bolt requires opening of the transmission cover.

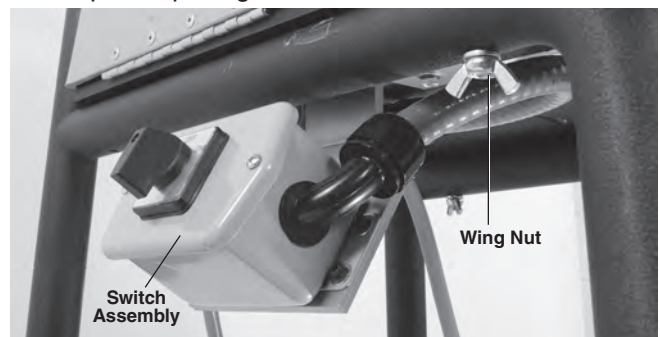


Figure 5 – Mounting Roll Groover to Stand

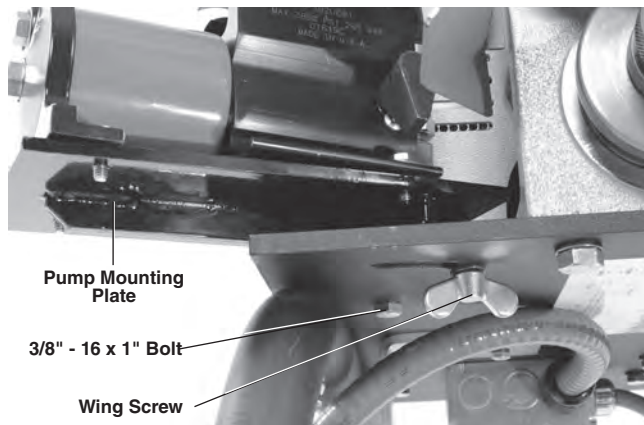


Figure 6 – Mounting Hydraulic Pump

5. Securely tighten all fasteners. Slide the wheels onto the axle and install retaining rings to hold the wheels on the axle.
6. Cut the tie wrap that holds the hydraulic pump in place for shipping. Remove the bolts/wing screws from the bottom of the pump's mounting plate.
7. Place the pump mounting plate over the hole and slot on the switch side of the 918-I. From the bottom of the base plate, insert the $\frac{3}{8}$ " – 16 x 1" bolt with washer into the hole and screw into pump mounting plate (*Figure 6*).
8. From the bottom of the base plate, insert the wing screw with lock washer into the pump mounting plate (through the slot) and tighten as required.

During 918-I operation, the hydraulic pump should be in the outermost position. During transportation, the hydraulic pump should be moved inward and handle up to decrease width. See *Figure 7*.

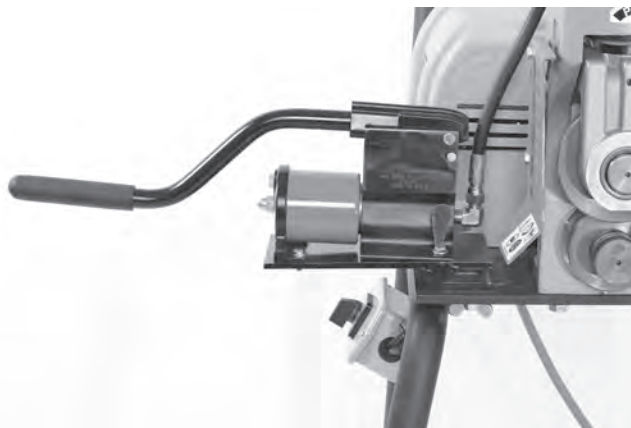


Figure 7A – Pump in Operating Position



Figure 7B – Pump in Transport Position [Up]

Pre-Operation Inspection

⚠ WARNING



Before each use, inspect your roll groover and correct any problems to reduce the risk of serious injury from electric shock, crushing and other causes and prevent roll groover damage.

1. Make sure machine is unplugged and the switch is set to the OFF position.
2. Clean any oil, grease or dirt from the roll groover, including the pump handle and stabilizer crank handle. This aids inspection and helps prevent the machine or control from slipping from your grip.
3. Inspect the roll groover for the following:
 - Proper assembly, maintenance and completeness.
 - Cords and plugs for damage or modification.
 - Broken, worn, missing, misaligned or binding parts.
 - Hydraulic leaks. Oil on the groover can indicate a hydraulic leak.
 - Presence and condition of the guard (*See Figure 1*). Do not operate the roll groover without the guard.
 - Presence and operation of the foot switch. Confirm that foot switch is attached, in good condition, that it cycles smoothly and does not stick.
 - Presence and readability of the warning labels (*See Figure 1 and 8*).
 - Condition of the groove roll and drive roll. If the drive roll knurls are dirty, clean with a wire brush. Dirty or worn knurls can cause pipe slippage and tracking issues during grooving.

- Condition of the stabilizer wheel. Replace if needed.
- Position of the hydraulic pump, pump should be in the outermost position for operation.
- Any other condition which may prevent safe and normal operation.
- If any issues are found, do not use the roll groover until the issues have been repaired.

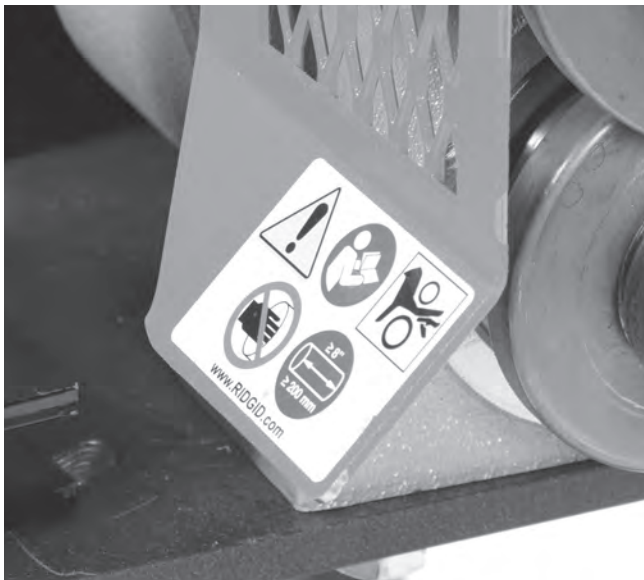


Figure 8 – Warning Label

4. Inspect and maintain any other equipment being used per its instructions to make sure it is functioning properly.

Set-Up and Operation

⚠ WARNING



Set up the roll groover and the work area according to these procedures to reduce the risk of injury from electric shock, machine tipping, crushing and other causes, and to help prevent machine damage.

1. Check work area for:
 - Adequate lighting.
 - Flammable liquids, vapors or dust that may ignite. If present, do not work in area until source is identified, removed or corrected, and area is completely ventilated.
 - Clear, clean, level, stable and dry place for all equipment and operator. Clean up any oil that may be present.

- Properly grounded electrical outlet of the correct voltage. Check the machine serial plate for required voltage. A three-prong or GFCI outlet may not be properly grounded. If in doubt, have outlet inspected by a licensed electrician.

2. Inspect the pipe to be grooved and determine the correct tool for the job, see *Specifications*. Grooving equipment for other applications can be found in the RIDGID catalog online at RIDGID.com. Do not use to groove anything other than straight stock. Do not groove pipe with protrusions or outlets such as Tees or elbows. This increases the risk of entanglement.
3. Confirm all equipment to be used has been properly inspected and assembled. Confirm that the correct grooving roll set is installed in the roll groover for the application.

NOTICE Use of roll sets (groove roll and drive roll) on both carbon and stainless steel pipe can lead to contamination of the stainless steel material. This contamination could cause corrosion and premature pipe failure. To prevent ferrous contamination of stainless steel pipe, use roll sets dedicated for stainless steel grooving. Alternately, a stainless steel wire brush can be used to thoroughly clean the roll set when switching between materials.

4. Set up 918-I in the work area. Confirm that the ON/OFF Switch is in the OFF position.
5. If desired the 918-I Stand can be bolted to the floor for additional stability. See *Figure 1*.
6. Position the foot switch for proper operation as shown in *Figure 16*.
7. Confirm that the hydraulic pump is in operation position.
8. With the ON/OFF Switch in OFF position, run the cord along a clear path. With dry hands, plug the power cord into properly grounded outlet. Keep all connections dry and off the ground. If the power cord is not long enough, use an extension cord that:
 - Is in good condition.
 - Has a three-prong plug like on the roll groover.
 - Is rated for outdoor use and contains a W or W-A in the cord designation (e.g., SOW).
 - Has sufficient wire size. For extension cords up to 50' (15.2 m) long use 16 AWG (1.5 mm²) or heavier. For extension cords 50'-100' (15.2 m - 30.5 m) long use 14 AWG (2.5 mm²) or heavier.
9. Check the machine for proper operation. With hands clear of moving parts:
 - Move the ON/OFF Switch to the ON position. Press and release the foot switch. Check that the groove

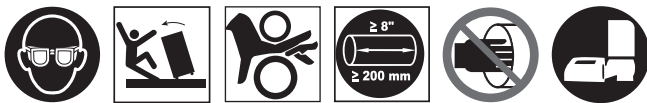
roll rotates in a clockwise direction matching the pipe rotation decal on the groover, *See Figure 12*. Have the machine serviced if it rotates in the wrong direction or if the foot switch does not control its stopping or starting.

- Depress and hold the foot switch. Inspect the moving parts for misalignment, binding, odd noises or any other unusual conditions that may affect the safe and normal operation of the machine. If such conditions are present, have the roll groover serviced.
- Release the foot switch.

10. Move the ON/OFF Switch to the OFF position, and with dry hands unplug the machine.

Operation

⚠ WARNING



Keep hands away from grooving rolls. Do not wear loose fitting gloves. Fingers can be crushed between groove rolls, groove roll and pipe or between pipe and stabilizer wheel.

Keep hands away from ends of pipe. Do not reach inside pipe. Do not touch groove while operating. Burrs and sharp edges can catch and cut. Fingers can be crushed between groove rolls or between groove rolls and pipe.

Keep guards in place. Do not operate the roll groover with the guard removed. Exposure to groove rolls may result in entanglement and serious injury.

Only groove pipe 8" (200 mm) or longer. Grooving shorter than specified pipe can result in entanglement and crushing injuries.

Do not use this roll groover without a foot switch. Never block a foot switch in the ON position so it does not control the machine. A foot switch provides better control by letting you shut OFF the machine motor by removing your foot. If entanglement should occur and power is maintained to the motor, you will be pulled into the machine. This machine has high torque and can cause clothing to bind around your arm or other body parts with enough force to crush or break bones or cause striking or other injuries.

Be sure that the roll groover, pipe and stands are stable. Be sure the roll groover is properly set up and secured. This will help prevent tipping of the equipment and pipe. **Properly support the pipe.** This will help to prevent the tipping of the pipe and equipment.

Always wear eye protection. Wear steel toe footwear to help protect from tipping tools and falling pipe.

Set up and operate the roll groover according to these procedures to reduce the risk of injury from machine tipping, entanglement, crushing, striking and other causes, and to help prevent equipment damage.

Confirm that the machine and work area is properly set

up and that the work area is free of bystanders and other distractions. The operator should be the only person in the area when the machine is operated.

Pipe Preparation

NOTICE These are generalized instructions. Always follow grooved coupling manufacturer's specific recommendations for pipe end preparation. Failure to follow these recommendations may lead to an improper connection and cause leaks.

1. Be aware of pipe specifications acceptable for grooving. Out of specification pipe can cause leaks and other issues. Pipe out-of-roundness must not exceed total O.D. tolerance listed in the *Standard Roll Groove Specifications, Table II*.
2. Cut pipe to proper length. Be aware of the minimum pipe lengths for grooving.
 - 5" and smaller diameter pipe should not be shorter than 8" (200 mm) long.
 - 6" to 12" diameter pipe should not be shorter than 10" (250 mm) long.

Grooving shorter pipe increases the risk of injury from crushed fingers and entanglement.
3. Make sure pipe end is cut square and free of burrs. Burrs can catch or cut gloves or fingers during grooving. Cut off method and large burrs can affect the quality of the groove made and tracking of the groover. Do not attempt to groove pipe that has been cut with a torch.
4. Remove all internal/external weld beads, flash, seams, scale, dirt, rust and other contaminants at least 2" back from the end of the pipe. Do not cut flats into gasket seat area, this could cause leaks. Contaminants can clog the drive knurls and prevent proper driving and tracking of the pipe while grooving.

Advance/Retract The Groove Roll

The movement of the groove roll is controlled by the hydraulic pump.

- To advance the groove roll, move the pump lever to the advance position, then move the pump handle up and down.
- To retract the groove roll, move the pump lever to the retract position. *See Figure 9*.

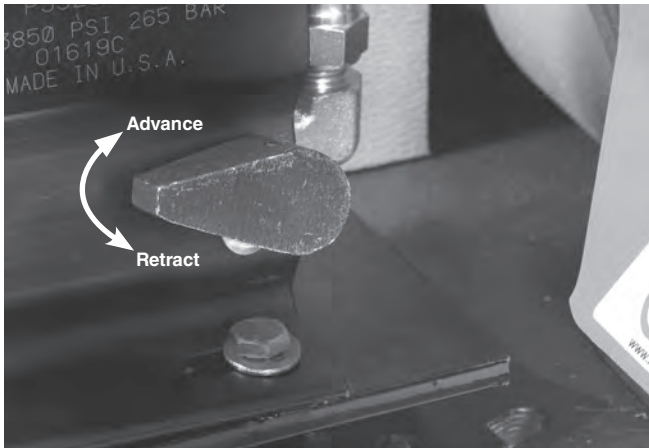


Figure 9 – Pump Release Lever Position

Loading Pipe in Roll Groover

1. Confirm that the switch is in the OFF position.
2. Fully retract the groove roll.
3. Appropriate pipe stands must be available to support the pipe. Adjust the height of the pipe stands so that the pipe will be level and the top inner diameter of the pipe will sit on top of the drive roll (See Figure 10).

Place the pipe stands in directly front of the roll groover. Pipe stand placement depends on the pipe length.

For shorter pipe (see Chart A) the pipe is supported by the drive shaft and at least one stand. In this case, the stand should be placed slightly more than half the length of the pipe from the roll groover.

Nom. Size	Min. Length	Max. Length	Nom. Size	Min. Length	Max. Length
1	8	36	4	8	36
1¼	8	36	4 ½	8	32
1½	8	36	5	8	32
2	8	36	6 O.D.	10	30
2½	8	36	6	10	28
3	8	36	8	10	24
3½	8	36	10	10	24
4	8	36	12	10	24

Chart A – Minimum/maximum pipe length to be grooved with one stand (in inches)

For longer pipes at least two stands should be used, with the two stands placed approximately ¼ of the pipe length from the ends of pipe. Failure to properly support the pipe may allow the pipe or the pipe and machine to tip and fall. Always use a pipe stand – it helps to align the pipe and maintain proper tracking.

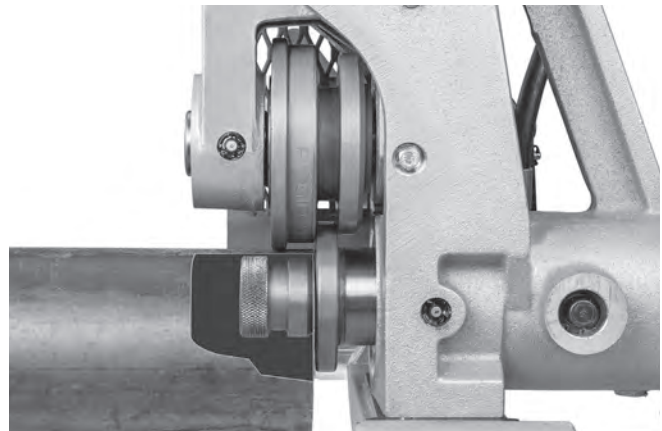


Figure 10 – Placing Pipe Over Drive shaft, Flush to Drive Shaft Flange (Stabilizer Removed for Clarity)

4. Place the pipe on the stand(s) with the end of the pipe flush to the drive shaft flange and the inside of the pipe contacting the top of the drive shaft (Figure 10). Make sure the pipe is stable and secure.



Figure 11 – Leveling Pipe

5. Advance the groove roll until it touches and lightly grips the pipe (Do not drive the groove roll into the pipe).
6. Confirm the pipe positioning. If the pipe is not properly positioned, the groove may not track properly.
 - The pipe end should be flush against the drive shaft flange.
 - The centerline of the pipe and the centerline of the drive shaft should be parallel. This can be checked with a level on top of the hydraulic cylinder and on the pipe. See Figure 11.
 - The roll groover / machine should be sitting firmly on the ground. If the machine is lifting off the ground at all, the pipe stand(s) are set improperly and should be adjusted.
7. Slightly offset the pipe and pipe stands approximately ½ degree (about 1" over at 10 feet from the roll groover) towards the operator. Proper alignment of the pipe and roll groover helps to ensure proper tracking of the pipe while grooving (See Figure 12). This is proper offset for grooving and works with the stabilizer.

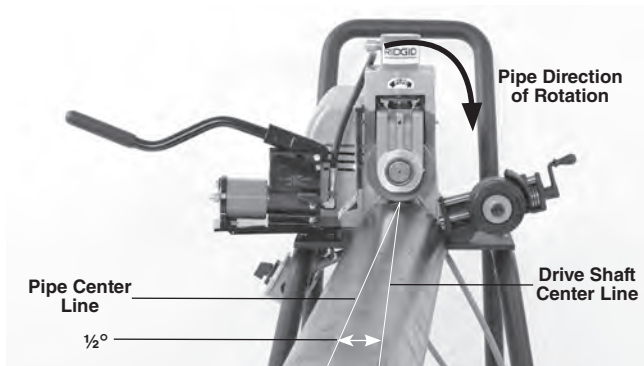


Figure 12 – Offsetting the Pipe $\frac{1}{2}^\circ$, (Exaggerated)

8. Restrict access or set up guards or barriers to create a minimum 3' (1m) clearance around the equipment and pipe. This helps prevent non-operators from contacting the equipment or pipe and reduces the risk of tipping or entanglement.
9. With dry hands, plug the machine into a properly grounded outlet.

Setting/Adjusting Groove Diameter

NOTICE Due to differing pipe characteristics, a test groove should always be performed before the first groove of the day or when changing pipe size, schedule, material, or lot to reduce the risk of out of tolerance grooves. Groove diameter must be measured to confirm proper size.

1. Confirm that equipment is properly set up and pipe is properly prepared and loaded. Improper set up and preparation can affect accuracy of groove diameter settings.
2. Groove roll should be lightly gripping the pipe. If needed, advance the groove roll to just touch and lightly grip the pipe – it should not be making an indentation in the pipe, do not apply excessive pressure.
3. Rotate the depth adjustment nut until it stops against main housing.
4. Back the depth adjustment nut off one turn (*Figure 13*).

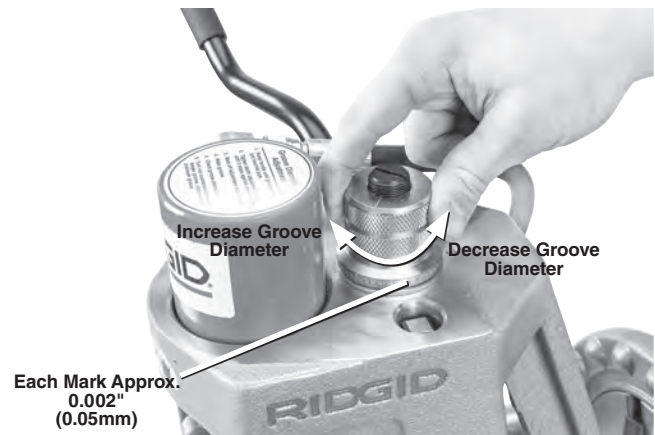


Figure 13 – Depth Adjustment Nut Setting

5. Make a test groove.
6. Inspect/measure the test groove. If the groove diameter is not in specification, the depth adjustment nut must be repositioned to give the correct groove diameter. See *Figure 13*.
 - To increase groove diameter (shallower groove), turn the depth adjustment nut clockwise.
 - To decrease groove diameter (deeper groove), turn the depth adjustment nut counterclockwise.
 - Each $\frac{1}{4}$ turn of the depth adjustment nut changes the groove diameter approximately 0.025" (0.6 mm). Moving the nut one mark on the circumference changes groove diameter approximately 0.002" (0.05 mm).
7. Repeat steps 4-6 until the groove diameter is within specifications. If the groove is too large, the groover can be adjusted and the groove made smaller. If the groove is too small, another groove will need to be made. Proper groove diameter is important to ensure connection performance. Out of specification grooves could cause joint failure.

Stabilizer Operation

The stabilizer is used to apply slight force to 2 $\frac{1}{2}$ " to 12" pipe to improve tracking. It is especially useful for short pieces of pipe, but can be used on all lengths of pipe. The stabilizer also reduces the swaying of longer, larger diameter pipe.

1. Properly set up equipment and load pipe.
2. Set groove diameter.
3. Rotate the stabilizer crank handle to bring the roller in contact with the pipe. Rotate the crank handle an additional one (1) turn to preload the roller against the pipe (*Figure 14*). Do not reach across the pipe to adjust the stabilizer.

4. Groove pipe. During use, keep hands away from the groove rolls, stabilizer wheel and end of pipe. Do not groove pipe shorter than specifications and do not reach inside pipe or touch the groove. This reduces the risk of crushing injuries.

If during grooving the pipe does not track properly, step off foot switch and stop grooving. Set up a new groove and rotate the crank handle an additional one half (½) turn to increase preload. Do not use excessive preload. This can damage the roller.

Once the stabilizer is set for a given size and type of material, it generally does not need to be readjusted or backed off when pipe is loaded and unloaded.

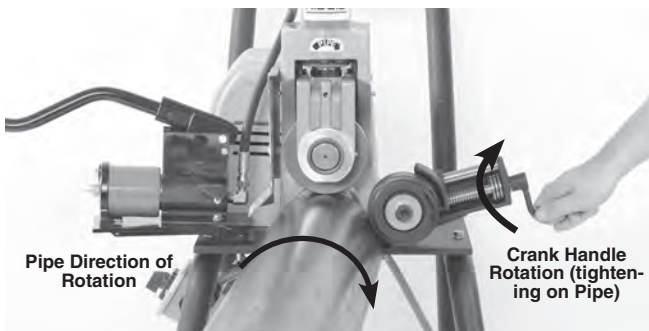


Figure 14 – Offsetting the Pipe ½°, (Exaggerated)

Grooving Operation

1. Confirm that equipment is properly set up and pipe is properly prepared and loaded. Do not groove pipe shorter than 8".
2. Set groove diameter.
3. If needed, set the stabilizer position.
4. Assume a proper operating position to help maintain control of the machine and pipe (See *Figure 15*).
 - Stand facing the roll groover on the ON/OFF switch side with convenient access to the switch, pump handle and pipe. Your left hand will be on the pump handle, and your right hand is clear of the pipe unless applying slight force to the pipe to maintain tracking (see *Tracking Tips* section).
 - Be sure that you can control the foot switch. Do not step on foot switch yet. In case of emergency, you must be able to release the foot switch.
 - Be sure that you have good footing and balance and do not have to overreach.



Figure 15 – Proper Operating Position

5. Move the ON/OFF switch to ON position.
6. Apply approximately a quarter stroke of the pump handle to force the groove roll towards the pipe.
7. Depress the foot switch. The pipe will start to turn. Allow one full pipe rotation between quarter strokes of the pump handle. Do not advance the groove roll too aggressively – this can cause the pipe to spiral out of the roll set and poor groove form. Keep your hands clear of the groove set, pipe end and stabilizer wheel. Do not reach inside the pipe or touch the groove.

Monitor the pipe as it is grooved. The end of the pipe should stay in contact with the drive shaft flange, and the pipe should stay in position. If the pipe starts to move out of position, step off of the foot switch and stop grooving. Keep your body clear in case the pipe comes out of the grip of the roll set. If the pipe starts to come out of position stop grooving and check set up. If the pipe end is damaged, a new groove will need to be prepared.

Continue applying a quarter stroke of the pump handle every pipe rotation.

When using the 1" roll set, it is especially important to not apply excessive force (improper groove diameter setting, undersized grooves, more than a quarter stroke of pump handle per rotation). This can damage the 1" drive roll.

8. When the depth adjustment nut contacts the top of the groover, allow the pipe to rotate at least two more full rotations to ensure uniform groove depth.
9. Remove foot from the foot switch.
10. Move the ON/OFF switch to the OFF position.

11. Retract the groove roll and remove the pipe from the roll groover.
12. Inspect and measure the groove.

Tracking Tips

A typical issue while roll grooving is the pipe “spiraling” or “walking off” the drive shaft or not “tracking” properly.

For good tracking, it is important that all instructions be followed. If, even after following all instructions, the pipe will not properly track; there are other options to improve tracking.

- Slightly increase the offset of the pipe (increase from ½ degree to 1 degree) See *Figure 12*.
- Tighten the stabilizer crank handle an additional ½ turn.
- The operator may need to apply slight force on the pipe while grooving to maintain tracking. This is usually only needed on shorter pieces of pipe when the stabilizer is not used. To do this, the operator should wear a leather glove in good condition and cup their hand around the pipe as shown in *Figure 16* to pull the pipe slightly towards them. This may require that the stand be fixed to the floor to prevent movement during grooving. To reduce the risk of crushing and cutting injuries, keep hand away from the groove roll and the ends of the pipe, do not groove pipe shorter than recommended and do not reach inside pipe or touch groove.



Figure 16 – Applying Pressure on Pipe

Inspect/Measure the Groove

1. Inspect the groove.
 - Make sure that all features are present and fully formed. See *table II and Figure 17*.
 - Measure the groove diameter and make sure it is within specification.
 - Check any other items required by the fitting manufacturer.
 - Test the system in accordance with local codes and normal practice.

If any problems are found, the groove cannot be used. Proper groove diameter is important to ensure connection performance. Out of specification grooves could cause joint failure.

2. Measure the groove diameter. With a diameter tape (see *Optional Equipment Section*). Snugly wrap the diameter tape around the pipe in the groove. Make sure that the tape sits flat in the bottom of the groove and read the groove diameter (See *Figure 17*). Compare the measured groove diameter to the required groove diameter as shown in *Table II or III* or as specified by the groove fitting manufacturer.



Figure 17 – Checking Groove Diameter with a Diameter Tape

Preparing Machine for Transport

1. Make sure that the ON/OFF switch is in the OFF position and the cord is unplugged from the outlet.
2. Clean the machine. Remove or secure all loose equipment and material from the machine and stand prior to moving to prevent falling or tipping.
3. Loosen the hydraulic pump wing nut, move the pump to innermost position and tighten wing nut again. See *Figure 6*.
4. Coil up the power cord and foot switch cord.

- Use care in lifting and moving. Be aware of the machine weight.

Storage

⚠ WARNING The 918-I Roll Groover must be kept indoors or well covered in rainy weather. Store the machine in a locked area that is out of reach of children and people unfamiliar with roll groovers. This machine can cause serious injury in the hands of untrained users.

Maintenance Instructions

⚠ WARNING
Make sure the ON/OFF switch is in the OFF position and machine unplugged before performing any maintenance or making any adjustments.
Maintain the 918-I Roll Groover according to these procedures to reduce the risk of injury.

Cleaning

Use a soft damp cloth to clean the roll groover.

Clean the drive roll knurls with a wire brush before use and as necessary during operation. When grooving stainless steel pipe, thoroughly clean the entire roll set with a stainless steel wire brush.

Lubrication

On a monthly basis (or more often if needed), lubricate the groover with a lithium based general purpose grease. Always lubricate the roll groover after roll set changes.

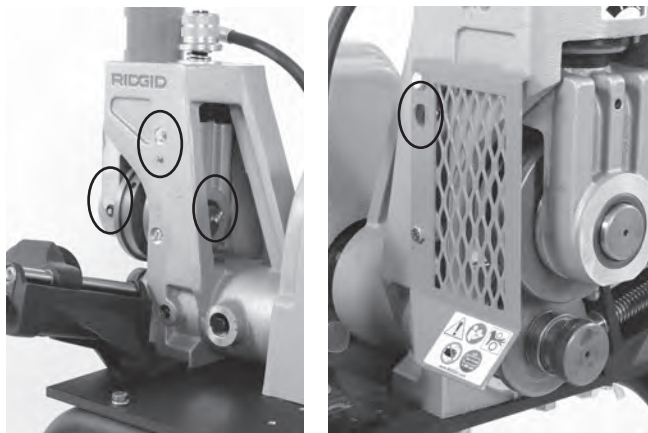


Figure 18 – Grease Fittings

- Lubricate the groover at grease fittings (See Figure 18). Add grease until a small amount pushes out.
- Apply a light lubricating oil to pivot points and areas of relative motion, such as the depth adjustment nut and the stabilizer feedscrew. Wipe any excess lubricant from exposed surfaces.

The roll groover gearbox is designed as sealed systems and should not require any additional grease unless significant leakage has occurred. In those cases, the tool should be returned to a service center.

Hydraulic Fluid Level

Remove the reservoir filler cap (Figure 19). The oil level should come to the fill line when the pump is resting on its base and the ram is fully retracted. Use only ISO 15 hydraulic oil.

Once a year, or more often with heavy use or use in dusty conditions, the hydraulic oil should be changed. To drain oil, remove the reservoir filler cap and drain the oil in a container. Properly dispose of the used hydraulic oil *per the Safety Data Sheet (SDS) and local requirements.*

Hydraulic system may need air bled after changing fluid. To bleed hydraulic system, position ram lower than pump by tipping the machine on its side. Extend and return the cylinder piston several times to permit air to return to the pump reservoir.

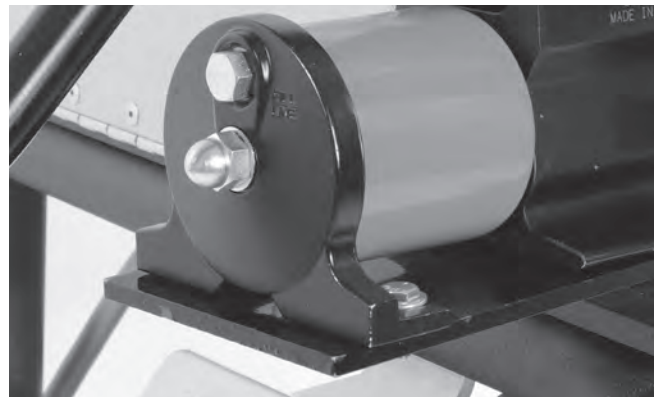


Figure 19 – Reservoir Filler Cap

Changing Roll Sets

NOTICE When changing roll set, always make sure drive roll and groove roll markings match. Mismatched parts can make improper grooves and cause leaks. Always change rolls as sets – do not mix rolls from different sets.

Properly support the rolls and shafts while replacing.

Changing Groove Roll:

- Fully retract the groove roll.
- Fully retract the stabilizer wheel.
- Loosen groove roll set screw (Figure 20). Grasp groove roll and remove upper shaft and groove roll from groover (Figure 21).

4. After changing drive shaft/drive roll, reverse steps to install. Make sure parts are clean to keep dirt out of bearings. Lubricate bearings before use.



Figure 20 – Loosening Grooving Roll Set Screw

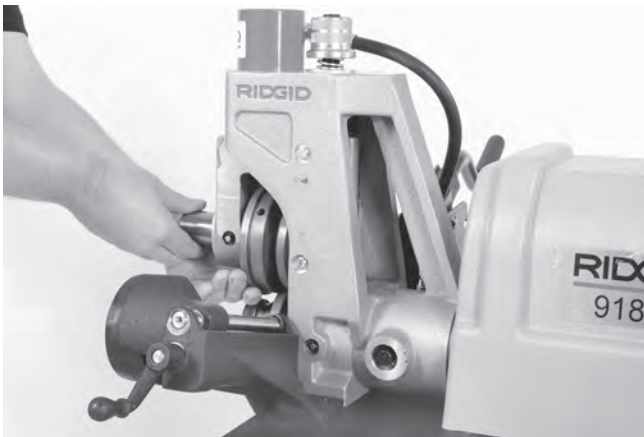


Figure 21 – Removing Retaining Shaft and Groove Roll

Changing Drive Shaft/Drive Roll:

The 918-I has two styles of drive shaft. A one-piece drive shaft (used on the 2" – 6" and 8" – 12" sizes) and the two-piece unit consisting of a drive shaft and interchangeable drive roll (used for the 1", 1¼" to 1½" and 2" – 6" Copper sizes). See Figure 22.

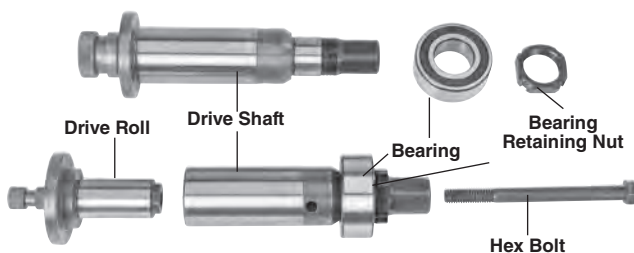


Figure 22 – One Piece Drive Shaft (Top), Two Piece Drive Shaft (Bottom)

Changing Drive Shaft

1. Use 3/16" hex key to loosen the two screws on the front half of the transmission coupling (Figure 23).

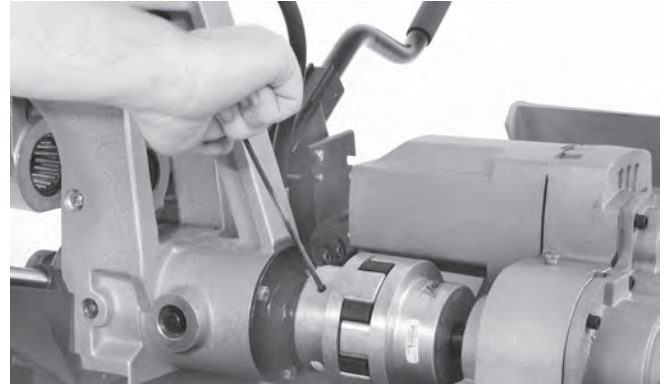


Figure 23 – Loosen the Two Screws on the Transmission Coupling

2. Use the spanner wrench to remove the drive shaft bearing retaining nut.

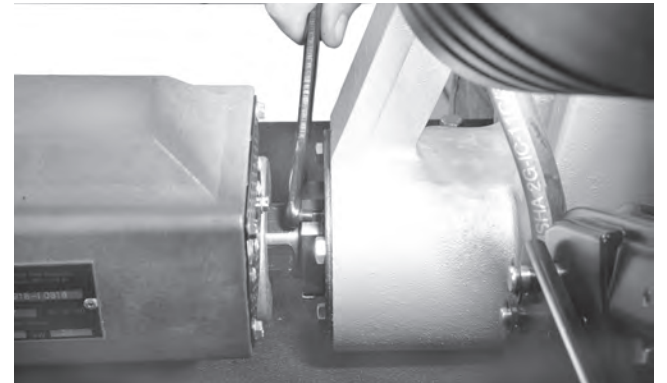


Figure 24 – Loosen and Remove Drive Shaft Retaining Nut

3. Remove the drive shaft from the front of the groover (Figure 25).
4. Install new drive shaft through the housing and drive shaft bearing retaining nut (with text out), aligning hex with opening in coupling. Make sure parts are clean to keep dirt out of bearings. Lubricate bearings before use.
5. Use spanner wrench to tighten the drive shaft bearing retaining nut.
6. Tighten transmission coupling set screws.
7. Close transmission cover and secure.

Changing Drive Roll (Two-Piece Drive Shafts)

1. Remove the groove roll.
2. Swing open transmission cover.

3. Use 3/16" hex key to loosen the two screws on the front half of the transmission coupling (*Figure 23*).
4. Use the spanner wrench to remove the drive shaft bearing retaining nut (*Figure 24*).
5. Pull the drive shaft assembly forward. Remove front half of the coupling and the drive shaft bearing retaining nut. Reinsert drive shaft.
6. Use the 15/16" hex in the box wrench to loosen the draw bolt (*Figure 26*).
7. Tap draw bolt head with a soft face mallet to release drive roll from drive shaft.
8. Unthread draw bolt from drive roll, remove drive roll from front of groover.
9. Install new drive roll, insert and hand-tighten draw bolt.
10. Manually rotate the drive shaft/drive roll assembly while applying pressure to the spindle lock pin until the lock pin engages the spindle lock hole in the drive shaft.
11. With the spindle lock engaged, use the 15/16" hex in the box wrench to tighten the draw bolt.
12. Release pressure on the spindle lock pin, allowing to retract.
13. Pull drive shaft assembly forward. Insert front half of coupling onto back half. Insert drive shaft assembly through the bearing retaining nut, aligning hex with opening in coupling.
14. Use spanner wrench to tighten the drive shaft bearing retaining nut.
15. Tighten transmission coupling set screws.
16. Close transmission cover.

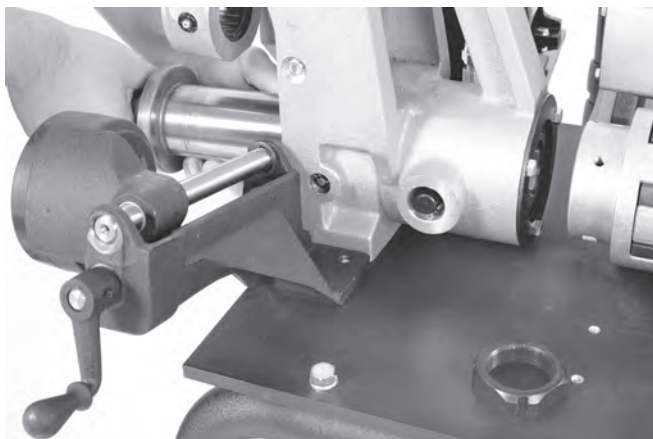


Figure 25 – Removing Drive Shaft Assembly

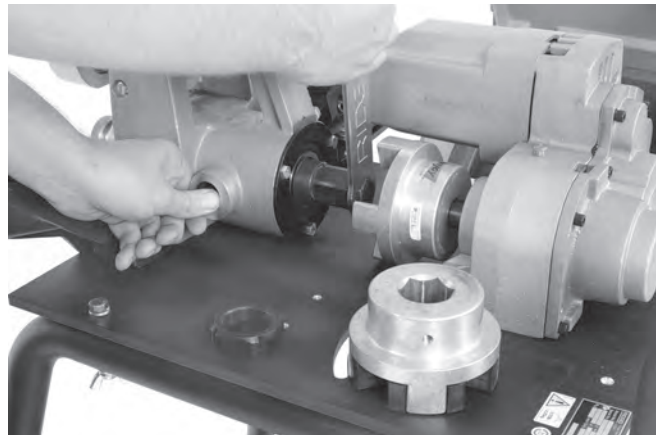


Figure 26 – Removing Draw Bolt

Changing One Piece Drive Shaft to Two Piece Drive Shaft:

1. Remove the one-piece drive shaft.
2. Remove the front half of the coupling.
3. Assemble proper drive roll to drive shaft (two-piece style) with draw bolt hand tight.
4. Insert two-piece drive shaft assembly into groover.
5. With the spindle lock engaged, use the 15/16" hex in the box wrench to tighten the draw bolt.
6. Release pressure on the spindle lock pin, allowing to retract.
7. Pull drive shaft assembly forward. Insert front half of coupling onto back half. Insert drive shaft assembly through the bearing retaining nut, aligning hex with opening in coupling.
8. Use spanner wrench to tighten the drive shaft bearing retaining nut.
9. Tighten transmission coupling set screw.
10. Close transmission cover and secure.

Replacing Carbon Brushes

Check motor brushes every 6 months. Replace when worn to less than 1/2".

1. Swing open the transmission cover.
2. Remove four screws holding motor cover, remove motor back cover.
3. Using a pair of pliers, pull the motor brushes straight out. Detach the connector. (*See Figure 27*)

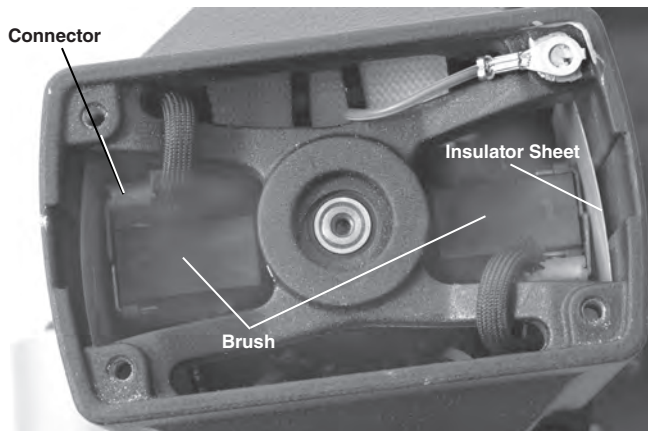


Figure 27 - Brush Placement - Motor Cover Removed

4. Inspect the commutator for wear. If excessively worn, have tool serviced.
5. Depress the brush into the holder and insert into the motor housing. Inspect to make sure insulator sheets are properly positioned between brush holder and housing. Attach the connector and replace the motor cover.
6. Reassemble unit. Install all covers before operating machine.

Troubleshooting

PROBLEM	POSSIBLE REASONS	SOLUTION
Groove too narrow or too wide.	Incorrect groove roll and drive shaft/roll. Groove roll and/or drive shaft/roll worn. Mismatched groove roll and drive shaft/roll.	Install correct groove roll and drive shaft/roll. Replace groove roll and/or drive shaft/roll. Install matching roll set.
Rolled groove not perpendicular to pipe axis.	Pipe length not straight. Pipe end not square.	Use straight pipe. Cut pipe end square.
Pipe will not track while grooving/Groover will not track on pipe while grooving.	Pipe and drive shaft not parallel. Pipe axis not offset 1/2 degree from drive shaft axis. 1/2 degree offset not sufficient. Drive shaft/roll knurl plugged or worn flat. Inside of pipe has too much scale. Excessive weld seam. Not using / properly adjusting stabilizer. Pipe end not square/deburred.	Adjust stand to make pipe parallel. Offset pipe 1/2 degree. Offset pipe slightly more. Clean or replace drive shaft/roll. Clean inside of pipe. Grind weld seam flush 2" from end of pipe. Adjust stabilizer. Apply pressure to pipe (See Figure 14). Properly prep end of pipe.

Troubleshooting Cont.

PROBLEM	POSSIBLE REASONS	SOLUTION
Pipe flared at grooved end.	Pipe and drive shaft not parallel. Operator is advancing groove roll too fast. Pipe is too hard. Stabilizer too tight.	Adjust stand to make pipe parallel. Slow down pumping action. (<i>Refer to Operating Instructions.</i>) Replace pipe. Adjust stabilizer.
Pipe drifts back and forth on drive shaft axis while grooving.	Pipe length not straight. Pipe end not square.	Use straight pipe. Cut pipe end square.
Pipe rocks from side to side.	Pipe stand too close to end of pipe. Pipe end flattened or damaged. Hard spots in pipe material or weld seams harder than pipe. Groove roll feed rate too slow. Pipe supports stand not in correct location.	Move pipe stand in to match set-up Instructions. Cut off damaged pipe end. Use different pipe. Feed groove roll into pipe faster. Position pipe stand rollers correctly.
Groover will not roll groove in pipe.	Maximum pipe wall thickness exceeded. Pipe material too hard. Adjustment nut not set. Wrong roll set.	Check pipe capacity chart. Replace pipe. Set depth. Install correct roll set.
Groover will not roll groove to required diameter.	Maximum pipe diameter tolerance exceeded. Depth adjustment nut not set correctly. Pipe too hard.	Use correct diameter pipe. Adjust depth setting. Use different pipe.
Pipe slips on driving roll.	Groove roll feed rate too slow. Drive shaft knurls plugged with metal or worn flat.	Feed groove roll into pipe faster. Clean or replace driving roll.
Pipe rises or tends to tip Groover over backwards.	Pipe support stand not properly set up.	Properly set up stands.
Pump not delivering oil, cylinder does not advance.	Pump release valve open. Low oil in reservoir. Dirt in pump body. Seats worn or not seating. Too much oil in reservoir.	Close release valve. Check oil level per instructions. Have serviced by qualified technician. Have serviced by qualified technician. Check oil level per instructions.
Pump handle operates with "spongy" action.	Air trapped in system. Too much oil in reservoir.	Bleed air from hydraulic system per instructions. Check oil level per instructions.
Cylinder extends only partially.	Pump reservoir is low on oil. Depth adjustment set incorrectly.	Fill and bleed system. Follow depth adjustment instructions.
Machine will not run.	Motor brushes worn out.	Replace brushes.

Service And Repair

⚠ WARNING

Improper service or repair can make the machine unsafe to operate.

The "Maintenance Instructions" will take care of most of the service needs of this machine. Any problems not addressed by this section should only be handled by a RIDGID Authorized Independent Service Center. Use only RIDGID service parts.

For information on your nearest RIDGID Authorized Independent Service Center or any service or repair questions, see *Contact Information* section in this manual.

Optional Equipment

⚠ WARNING

To reduce the risk of serious injury, only use accessories specifically designed and recommended for use with the RIDGID 918-I Roll Groover, such as those listed below.

Catalog No.	Description
48405	Roll Set for 8-12" Sch 10 (8" Sch 40) With Carry Case
48407	Roll Set for 1¼"-1½" Sch 10/40 With Carry Case
48412	Roll Set for 1 Sch 10/40 and 1¼"-1½" Sch 10/40 with Carry Case
48417	Roll Set for 2"-6" Copper
59992	2½"-12" Stabilizer
76822	Inch Diameter Tape

76827	Metric Diameter Tape
49662	Toolbox
51432	Drive Roll 2" - 6"
49217	Groove Roll 2" - 6"
54317	Box Wrench
64192	Stand, ASM 918-I
64187	Stand Low 918-I

For a complete listing of RIDGID equipment available for these tools, see the Ridge Tool Catalog online at RIDGID.com or see *Contact Information*.

Disposal

Parts of the 918-I Roll Groover contain valuable materials and can be recycled. There are companies that specialize in recycling that may be found locally. Dispose of the components and any waste oil in compliance with all applicable regulations. Contact your local waste management authority for more information.



For EC Countries: Do not dispose of electrical equipment with household waste!

According to the European Guideline 2012/19/ EU for Waste Electrical and Electronic Equipment and its implementation into national Legislation, electrical equipment that is no longer usable must be collected separately and disposed of in an environmentally correct manner.

Table I. Pipe Wall Thickness

NOTE: All Dimensions are in Inches.

Size	CARBON STEEL OR ALUMINUM PIPE OR TUBE			STAINLESS STEEL PIPE OR TUBE			PVC PIPE		
	Schedule	Wall Thickness		Schedule	Wall Thickness		Schedule	Wall Thickness	
		Min.	Max.		Min.	Max.		Min.	Max.
1	5, 10, 40	0.065	0.133	5, 10	0.065	0.109	40	0.133	0.133
1¼	5, 10, 40	0.065	0.140	5, 10, 40	0.065	0.140	40	0.140	0.140
1½	5, 10, 40	0.065	0.145	5, 10, 40	0.065	0.145	40, 80	0.145	0.200
2	5, 10, 40	0.065	0.154	5, 10, 40	0.065	0.154	40, 80	0.154	0.218
2½	5, 10, 40	0.083	0.203	5, 10	0.083	0.188	40, 80	0.203	0.276
3	5, 10, 40	0.083	0.216	5, 10	0.083	0.188	40, 80	0.216	0.300
3½	5, 10, 40	0.083	0.226	5, 10	0.083	0.188	40	0.226	0.226
4	5, 10, 40	0.083	0.237	5, 10	0.083	0.188	40	0.237	0.237
5	5, 10, 40	0.109	0.258	5, 10	0.109	0.188	40	0.258	0.258
6	5, 10, 40	0.109	0.280	5, 10	0.109	0.188	40	0.280	0.280
8	5, 10, 40*	0.109	0.322	5, 10	0.109	0.148	40	0.322	0.322
10	5, 10	0.134	0.165	5, 10	0.134	0.165	—	—	—
12	5, 10	0.165	0.180	5, 10	0.165	0.180	—	—	—

* Do not use to groove 8" schedule 40 steel pipe harder than 150 BHN.

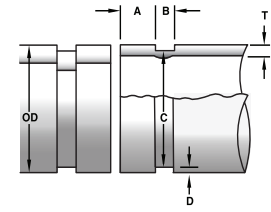


Table II. Standard Roll Groove Specifications⁽¹⁾

NOTE: All Dimensions are in Inches.

NOM. PIPE SIZE	PIPE DIAMETER		T MIN. WALL THK.	A GASKET SEAT +.015/- .030	B GROOVE WIDTH +.030/- .015	C GROOVE DIAMETER		D NOM. GROOVE DEPTH ⁽²⁾
	O.D.	TOL.				O.D.	TOL.	
1	1.315	+.013 -.013	0.065	0.625	0.281	1.190	+.000 -.015	0.063
1 1/4	1.660	+.016 -.016	0.065	0.625	0.281	1.535	+.000 -.015	0.063
1 1/2	1.900	+.019 -.019	0.065	0.625	0.281	1.535	+.000 -.015	0.063
2	2.375	+.024 -.016	0.065	0.625	0.344	2.250	+.000 -.015	0.063
2 1/2	2.875	+.029 -.016	0.083	0.625	0.344	2.720	+.000 -.015	0.078
3	3.50	+.035 -.031	0.083	0.625	0.344	3.344	+.000 -.015	0.078
3 1/2	4.00	+.040 -.031	0.083	0.625	0.344	3.834	+.000 -.020	0.083
4	4.50	+.045 .031	0.083	0.625	0.344	4.334	+.000 -.015	0.083
5	5.563	+.056 .031	0.109	0.625	0.344	5.395	+.000 -.015	0.084
6	6.625	+.063 -.031	0.109	0.625	0.344	6.455	+.000 -.015	0.085
8	8.625	+.063 -.031	0.109	0.750	0.469	8.441	+.000 -.020	0.092
10	10.75	+.063 -.031	0.134	0.750	0.469	10.562	+.000 -.025	0.094
12	12.75	+.063 -.031	0.156	0.750	0.469	12.531	+.000 -.025	0.110

(1) As per AWWA C606-15

(2) Nominal Groove Depth is provided as a reference dimension only. Do not use groove depth to determine acceptability of a groove.

NOTE: Follow fitting manufacturer's recommendations regarding maximum allowable flare dimension.

Table III. Copper Roll Groove Specifications⁽¹⁾

NOTE: All Dimensions are in Inches.

Nom. Size Inches	Tubing Outside Diameter O.D.		A Gasket Seal A ±0.03	B Groove Width +.03 / -.000	C Groove Dia. +.000 / -.020	D Nominal Groove Depth ⁽²⁾	T Min. Allow. Wall Thick. ⁽³⁾	Max. Allow. Flare Dia.
	Basic	Tolerance						
2	2.125	±0.002	0.610	0.300	2.029	0.048	DWV	2.174
2 1/2	2.625	±0.002	0.610	0.300	2.525	0.050	0.065	2.674
3	3.125	±0.002	0.610	0.300	3.025	0.050	DWV	3.174
4	4.125	±0.002	0.610	0.300	4.019	0.053	DWV	4.174
5	5.125	±0.002	0.610	0.300	5.019	0.053	DWV	5.174
6	6.125	±0.002	0.610	0.300	5.999	0.063	DWV	6.174

(1) Copper Tubing to the following standards: ASTM B88 & ASTM B306.

(2) Nominal Groove Depth is provided as a reference dimension. Do not use groove depth to determine groove acceptability.

(3) "DWV" – ASTM B306 Drain Waste & Vent Tubing wall thickness.

Rainureuse à galets

Rainureuse à galets 918-I



AVERTISSEMENT!

Familiarisez-vous avec cette notice avant d'utiliser l'appareil. Tout manque d'assimilation ou de respect des consignes ci-présentes augmenterait les risques de choc électrique, d'incendie et/ou de grave blessure corporelle.

Rainureuse à galets 918-I

Enregistrer ci-dessous le numéro de série indiqué sur la plaque signalétique de l'appareil

N° d
série

Table des matières

Symboles de sécurité	23
Consignes de sécurité générales visant les appareils électriques*	
Sécurité des lieux.....	23
Sécurité électrique	23
Sécurité individuelle	24
Utilisation et entretien des appareils électriques	24
Service après-vente	25
Consignes de sécurité spécifiques	25
Sécurité de la rainureuse à galets.....	25
Coordonnées RIDGID®	26
Description	26
Caractéristiques techniques	26
Equipements de base	27
Assemblage	
Assemblage de la 918-I.....	28
Inspection préalable	29
Préparation et utilisation de l'appareil	30
Mode d'emploi	31
Préparation des tuyaux.....	31
Avancement et retrait du galet de rainurage.....	32
Positionnement du tuyau dans la rainureuse	32
Vérification et réglage du diamètre de rainure.....	33
Utilisation du stabilisateur.....	34
Formation des rainures	34
Conseils d'alignement	35
Inspection et contrôle des rainures	35
Transport de l'appareil.....	36
Remisage	36
Consignes d'entretien	36
Nettoyage	36
Lubrification	36
Niveau d'huile hydraulique	36
Remplacement des jeux de galets	37
Remplacement des balais moteur.....	39
Dépannage.....	40
Révisions et réparations.....	41
Accessoires	41
Recyclage	41
Tableau I : Epaisseur des parois de tuyau	42
Tableau II : Caractéristiques des rainures standard⁽¹⁾	43
Tableau III : Caractéristiques des rainures sur cuivre	43
Déclaration CE	Recto de la page de garde
Garantie à vie	Page de garde

*Texte d'origine en anglais

Symboles de sécurité

Les symboles et mots-clés utilisés à la fois dans ce mode d'emploi et sur l'appareil lui-même servent à signaler d'importants risques de sécurité. Ce qui suit permettra de mieux comprendre la signification de ces mots clés et symboles.



Ce symbole sert à vous avertir de risques d'accident potentiels. Le respect des consignes qui le suivent vous permettra d'éviter les risques d'accident grave ou potentiellement mortel.

⚠ DANGER

Le terme DANGER signifie une situation dangereuse qui, faute d'être évitée, provoquerait la mort ou de graves blessures corporelles.

⚠ AVERTISSEMENT

Le terme AVERTISSEMENT signifie une situation dangereuse potentielle qui, faute d'être évitée, serait susceptible d'entraîner la mort ou de graves blessures corporelles.

⚠ ATTENTION

Le terme ATTENTION signifie une situation dangereuse potentielle qui, faute d'être évitée, serait susceptible d'entraîner des blessures corporelles légères ou modérées.

AVIS IMPORTANT

Le terme AVIS IMPORTANT indique des informations concernant la protection des biens.



Ce symbole indique la nécessité de bien se familiariser avec la notice d'emploi avant d'utiliser ce matériel. La notice d'emploi renferme d'importantes consignes de sécurité et d'utilisation du matériel.



Ce symbole signale la nécessité de porter des lunettes de sécurité intégrales lors de la manipulation ou utilisation de cet appareil afin de limiter les risques de lésions oculaires.



Ce symbole indique un risque de renversement de l'appareil augmentant les risques de contusion et d'écrasement.



Ce symbole indique un risque d'écrasement des mains et des doigts en cas de prise entre les galets de rainurage.



Ce symbole impose une longueur minimale du tuyau à rainurer de 8" (200 mm) afin de limiter les risques de blessure.



Ce symbole interdit l'introduction des mains dans le tuyau en cours de rainurage afin de limiter les risques d'enchevêtrement, de coupure, d'écrasement et autres lésions.



Ce symbole indique un risque de choc électrique.



Ce symbole indique la nécessité d'utiliser une pédale de commande à tout moment durant le fonctionnement de l'appareil afin de limiter les risques de blessure.



Ce symbole interdit le débranchement de la pédale de commande pour raisons de sécurité.



Ce symbole interdit le blocage en position MARCHÉ de la pédale de commande pour raisons de sécurité.



Ce symbole représente les risques d'enchevêtrement des mains, doigts, jambes, vêtements ou autres objets autour d'un élément en rotation.



Ce symbole représente les risques d'écrasement des doigts, mains, vêtements ou autres objets entre les mécanismes de l'appareil.

Consignes de sécurité générales visant les appareils électriques*

⚠ AVERTISSEMENT

Familiarisez-vous avec l'ensemble des consignes de sécurité, les instructions, les illustrations et les caractéristiques techniques visant cet appareil électrique. Le non-respect de l'ensemble des consignes ci-dessous augmenterait les risques de choc électrique, d'incendie et/ou de grave blessure corporelle.

CONSERVEZ L'ENSEMBLE DES CONSIGNES DE SECURITE ET D'UTILISATION POUR FUTURE REFERENCE !

Le terme « appareil électrique » utilisé dans les avertissements couvre à la fois les appareils sur secteur et les appareils à piles.

Sécurité des lieux

- **Assurez la propreté et le bon éclairage des lieux.** Les endroits encombrés ou sombres invitent les accidents.
- **Ne pas utiliser d'appareils électriques dans les milieux volatiles tels qu'en présence de liquides, gaz ou poussières inflammables.** Les appareils électriques produisent des étincelles susceptibles d'enflammer les poussières ou gaz présents.
- **Eloignez les enfants et les curieux lors de l'utilisation d'un appareil électrique.** Les distractions risquent de vous faire perdre le contrôle de l'appareil.

Sécurité électrique

- **La fiche électrique de l'appareil doit correspondre au type de prise de courant utilisée. Ne jamais**

* Les consignes de sécurité générales ci-présentes sont obligatoires et tirées textuellement de la norme UL/CSA/EN 62841-1 applicable. Celles-ci couvrent de nombreux types d'appareils électriques. Certaines de ces consignes ne s'appliquent pas à l'ensemble des appareils, et certaines d'entre-elles ne s'appliquent pas à celui-ci.

modifier la fiche de manière quelconque. Ne jamais utiliser d'adaptateur de prise sur les appareils électriques équipés d'une fiche de terre. L'utilisation de fiches non-modifiées branchées sur des prises de courant compatibles limitera les risques de choc électrique.

- **Évitez d'entrer en contact avec des objets reliés à la terre tels que tuyauteries, radiateurs, cuisinières et réfrigérateurs.** Tout contact avec une masse augmentera les risques de choc électrique.
- **Ne jamais exposer les appareils électriques à la pluie ou aux intempéries.** Toute pénétration d'eau à l'intérieur d'un appareil électrique augmenterait les risques de choc électrique.
- **Ne pas maltraiter le cordon d'alimentation de l'appareil. Ne jamais transporter, tirer ou débrancher l'appareil par son cordon d'alimentation. Éloignez le cordon de toute source de chaleur et d'huile, de surfaces tranchantes et des mécanismes environnants.** Un cordon endommagé ou enchevêtré augmenterait les risques de choc électrique.
- **Prévoyez une rallonge électrique appropriée lors de l'utilisation d'un appareil électrique à l'extérieur.** Une rallonge homologuée pour utilisation extérieure limitera les risques de choc électrique.
- **Lorsqu'il est inévitable d'utiliser un appareil électrique dans un endroit mouillé, utilisez une alimentation protégée par disjoncteur différentiel.** L'utilisation d'un disjoncteur différentiel limitera les risques de choc électrique.

Sécurité individuelle

- **Soyez attentif, restez concentré et faites preuve de bon sens lors de l'utilisation de ce type d'appareil. Ne jamais utiliser ce matériel lorsque vous êtes fatigué ou sous l'influence de drogues, de l'alcool ou de médicaments.** Lors de l'utilisation d'un appareil électrique, un instant d'inattention risque d'entraîner de graves lésions corporelles.
- **Prévoyez les équipements de protection individuelle appropriés. Portez systématiquement une protection oculaire.** Selon le cas, le port d'un masque à poussière, de chaussures de sécurité antidérapantes, du casque ou d'une protection auriculaire peut aider à limiter les risques de lésion corporelle.
- **Évitez les démarrages accidentels. Assurez-vous que son interrupteur est éteint avant de brancher l'appareil, y introduire un bloc-piles, le soulever ou le transporter.** Porter un appareil électrique avec son doigt sur l'interrupteur, voire le brancher lorsque son interrupteur est en position « Marche » est une invitation aux accidents.

- **Retirez toute clé ou dispositif de réglage éventuel avant de mettre l'appareil en marche.** Une clé ou tout autre dispositif de réglage engagé sur un élément mécanique pourrait provoquer un accident.
- **Ne vous mettez pas en porte-à-faux. Maintenez une bonne assiette et un bon équilibre à tout moment.** Cela assurera un meilleur contrôle de l'appareil en cas d'imprévu.
- **Habillez-vous de manière appropriée. Ne portez ni accessoires, ni bijoux. Éloignez vos cheveux, vos vêtements et vos gants des mécanismes lorsque l'appareil fonctionne.** Les foulards, les bijoux et les cheveux longs risquent d'être entraînés par les mécanismes en rotation.
- **Vérifiez le bon raccordement et fonctionnement des aspirateurs de poussière éventuels.** De tels aspirateurs peuvent limiter les risques associés à la dispersion des poussières.
- **Ne permettez pas la familiarité issue d'une utilisation fréquente de l'appareil vous rendre complaisant au point d'ignorer les principes de sécurité applicables.** La moindre inattention peut engendrer de graves blessures corporelles dans une fraction de seconde.

Utilisation et entretien des appareils électriques

- **Ne forcez pas l'appareil. Prévoyez l'appareil le mieux adapté aux travaux envisagés.** Un appareil adapté produira de meilleurs résultats et un meilleur niveau de sécurité lorsqu'il fonctionne au régime prévu.
- **N'utilisez pas d'appareil dont l'interrupteur marche/arrêt ne fonctionne pas correctement.** Tout appareil qui ne peut pas être contrôlé par son interrupteur est considéré dangereux et doit être réparé.
- **Débranchez l'appareil ou retirez son bloc-piles avant tout réglage, remplacement d'outils ou stockage.** De telles mesures préventives aideront à limiter les risques de démarrage accidentel de l'appareil.
- **Rangez les appareils électriques non utilisés hors de la portée des enfants. L'utilisation de cet appareil doit être exclusivement réservée à du personnel familiarisé avec cet appareil et les consignes ci-présentes.** Tout appareil électrique peut devenir dangereux entre les mains d'un novice.
- **Assurez l'entretien régulier des appareils électriques et de leurs accessoires. Assurez-vous de l'absence d'éléments grippés ou endommagés, voire toute autre anomalie susceptible de nuire au bon fonctionnement et à la sécurité de l'appareil.**

Faites réparer tout appareil endommagé avant de le réutiliser. De nombreux accidents sont le résultat d'appareils mal entretenus.

- **Assurez l'affutage et la propreté des outils de coupe.** Des outils de coupe correctement entretenus et affutés sont moins susceptibles de se gripper et sont plus faciles à contrôler.
- **Utilisez l'appareil, ses accessoires et ses outils selon les consignes ci-présentes, tout en tenant compte des conditions de travail existantes et de la nature des travaux envisagés.** Toute utilisation de l'appareil à des fins autres que celles prévues augmenterait les risques d'accident.
- **Nettoyez systématiquement les poignées et autres surfaces de prise-en-main de l'appareil.** Des poignées ou autres surfaces glissantes peuvent compromettre la sécurité d'utilisation de l'appareil en cas d'imprévu.

Service après-vente

- **Confiez la révision de l'appareil à un réparateur qualifié pouvant justifier l'emploi de pièces de rechange d'origine.** Cela assurera la sécurité opérationnelle de l'appareil.

Consignes de sécurité spécifiques

⚠ AVERTISSEMENT

La rubrique suivante contient d'importantes consignes de sécurité visant ce type d'appareil en particulier. Familiarisez-vous avec elles avant d'utiliser la rainureuse à galets 918-I afin de limiter les risques de choc électrique ou autres graves blessures corporelles.

CONSERVEZ CES CONSIGNES POUR FUTURE REFERENCE !

Gardez ce manuel à portée de main de l'utilisateur.

Sécurité de la rainureuse à galets

- **Eloignez vos mains des galets de rainurage.** Ne portez pas de vêtements mal ajustés. Vos doigts et vos mains risquent d'être écrasés entre les galets de rainurage, les galets de rainurage et le tuyau, ou bien entre le tuyau et le stabilisateur.
- **Eloignez vos mains des extrémités du tuyau. Ne pas toucher la rainure en cours d'opération.** Ses bavures et bords tranchants peuvent accrocher et couper vos doigts, en plus de les écraser entre les galets ou entre les galets et le tuyau.
- **Gardez les carters de protection de l'appareil en place. Ne pas utiliser la rainureuse en l'absence de ses carters de protection.** Tout contact avec les galets de rainurage augmenterait les risques d'enchevêtrement et blessure grave.
- **Ne tentez de rainurer que des tuyaux d'une longueur minimale de 8" (200 mm).** Le rainurage de tuyaux de longueur inférieure à celle spécifiée augmenterait les risques d'enchevêtrement et d'écrasement.
- **Ne pas porter de vêtements mal ajustés lors de l'utilisation de l'appareil. Gardez vos manches et blousons boutonnés. N'étendez pas vos mains au-dessus de l'appareil ou du tuyau.** Vos vêtements risqueraient de s'entortiller autour du tuyau ou du mécanisme.
- **Ne pas utiliser cet appareil en l'absence de sa pédale de commande. Ne jamais tenter de bloquer une pédale de commande en position « Marche » afin de l'empêcher de contrôler l'appareil.** Une pédale de commande permet de mieux contrôler l'appareil en l'arrêtant dès qu'elle est relâchée. Si un vêtement se prend dans le mécanisme et que le moteur continu à tourner, vous serez entraînés dans l'appareil. Cet appareil produit un couple capable d'entortiller les vêtements autour d'un membre avec suffisamment de force pour écraser ou briser les os et provoquer des contusions ou autres blessures.
- **Assurez-vous de la stabilité de la rainureuse, du tuyau, des porte-tubes et du système d'entraînement.** Vérifiez le montage et l'arrimage appropriés de la rainureuse. Cela évitera les risques de renversement du matériel et du tuyau. Soutenez le tuyau de manière appropriée. Cela évitera le renversement du tuyau et du matériel.
- **Préparez et manipulez le tuyau de manière appropriée.** Les bavures et bords tranchants peuvent accrocher et couper.
- **Un seul individu doit contrôler le processus, l'appareil et la pédale de commande.** Seul l'utilisateur de l'appareil doit se trouver dans la zone de travail durant son fonctionnement. Cela aidera à limiter les risques de blessure.
- **Limitez l'accès au chantier ou barricadez-le sur une périphérie d'un mètre (3 pieds) au-delà de la longueur du tuyau dès qu'il déborde de l'appareil.** La limitation d'accès au chantier ou l'établissement de barricades périphériques limitera les risques d'entortillement.
- **Portez systématiquement les équipements de protection individuelle appropriés lors de la préparation et utilisation de la rainureuse à galets.** Outre le port systématique de lunettes de sécurité, les équipements

de protection individuelle appropriés peuvent aussi comprendre le port de gants en cuir serrés, de chaussures blindées, etc.

• **N'utilisez cette rainureuse à galets pour le rainurage des sections et types de tuyau indiqués.** Toute autre application ou modification de la rainureuse augmenterait les risques de blessure.

• **Avant d'utiliser cette rainureuse à galets, familiarisez-vous avec :**

- Le mode d'emploi ci-présent
- Le mode d'emploi du système d'entraînement ou fileuse utilisé
- Les consignes d'installation du fabricant des raccords
- Les instructions visant tout autre matériel utilisé en conjonction avec cet appareil.

Le non-respect de l'ensemble des consignes et avertissements susvisés augmenterait les risques de dégâts matériels et/ou de graves lésions corporelles.

Coordonnées RIDGID

En cas de questions visant ce produit RIDGID®, veuillez :

- Consulter le concessionnaire RIDGID® le plus proche.
- Visiter le site RIDGID.com afin de localiser le représentant Ridge Tool le plus proche.
- Consulter les services techniques de Ridge Tool à ProToolsTechService@Emerson.com ou, depuis les Etats-Unis ou le Canada, en composant le 844-789-8665.

Description

La rainureuse à galets RIDGID 918-I sert au rainurage des tuyaux en acier, acier inoxydable, aluminium, PVC et cuivre. Les rainures sont formées par l'avancement hydraulique d'un galet de rainurage contre la paroi d'un tuyau soutenu par un galet d'entraînement.

La rainureuse à galets 918-I est typiquement livrée avec deux jeux de galets de rainurage et d'entraînement pour tuyaux acier comprenant :

- SCH 10 et 40 de 2" à 6" de diamètre
- SCH 10 de 8" à 12" et SCH 40 de 8"

D'autres matériaux peuvent être rainurés (reportez-vous aux tableaux en annexe) à l'aide de jeux de galets de rainurage et d'entraînement spécifiques, notamment pour les autres sections de tuyau et les tuyaux en cuivre.

Une pompe hydraulique manuelle bi-étagée sert à faire avancer le galet de rainurage contre le tuyau pour former la rainure. Un écrou de réglage sert à établir le diamètre de rainure.

Un stabilisateur réglable est prévu pour aider à maintenir l'alignement du tuyau en cours de rainurage, notamment sur les tuyaux s'approchant de la longueur minimale permise de 8" (20 cm).

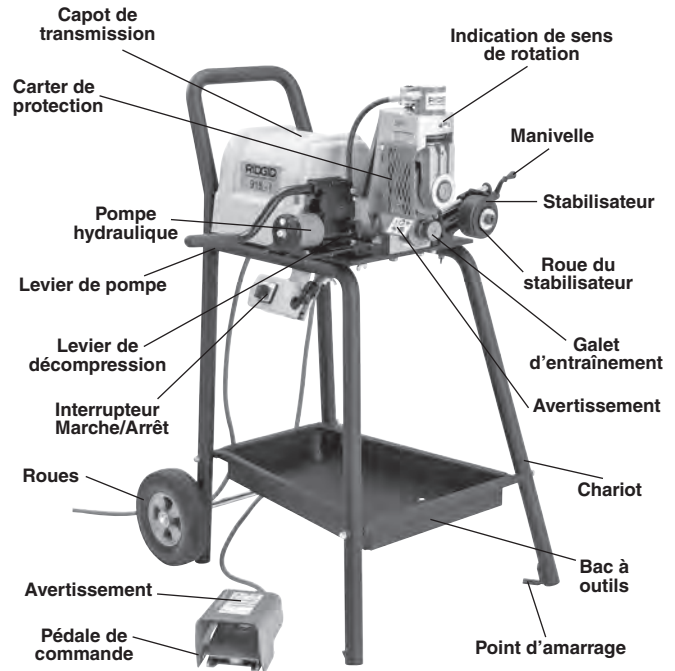


Figure 1A – Rainureuse à galets 918-I



Figure 1B – Rainureuse à galets 918-I

Caractéristiques techniques

Types de tuyaux..... Acier, acier inoxydable, cuivre et PVC

Capacité
Jeux de galets pour rainures standards..... Tuyaux acier Ø 2" à 6", SCH 10 et 40

Jeux de galets optionnels Tuyaux acier Ø 8" à 12", SCH 10 et Ø 8" SCH 40

Tuyaux acier Ø 1", SCH 10 et 40
 Tuyaux acier Ø 1¼" à 1½" SCH 10 et 40
 Tuyaux cuivre Ø 2" à 6" type K,
 L, M et DWV
*Reportez-vous aux tableaux I, II et III
 pour les autres matières et épaisseurs
 de paroi.*

Réglage de profondeur..... Erou de réglage de profondeur
 Actionneur..... Pompe hydraulique manuelle bi-étagée
 Stabilisateur Stabilisateur à réglage manuel pour tuyaux Ø 2½" à 12"
 Moteur
 Type..... Universel
 Tension d'alimentation (V)..... 120 220-240
 Fréquence (Hz) .50/60 50/60
 Courant (A)..... 12 6
 Puissance (W)... 1400 1400
 Commandes..... Interrupteur Marche/Arrêt rotatif et pédale de commande Marche/Arrêt
 Chariot..... Chariot 918-I standard
 Chariot 918-I rabaisée

Hauteur de montage 34" (865mm) 27,4" (696 mm)

Poids (avec chariot) 185 lb. (84,1 kg)

Dimensions avec manivelle de pompe déployée :
 Avec chariot standard
 (L x P x H) 39" x 35" x 51,3"
 (990 mm x 889 mm x 1303 mm)

Avec chariot rabaisé
 (L x P x H) 39" x 35" x 44,3"
 (990 x 889 x 1125 mm)

Pression sonore (L_{PA})^{*} 92,9 dB (A), K=3

Puissance sonore (L_{WA})^{*} 105,7 dB (A), K=3

* Les valeurs sonores sont établies selon un test standardisé de la norme EN 62841-1.
 - Les taux d'émission sonore peuvent varier selon l'emplacement et l'utilisation spécifique de l'appareil.
 - Les niveaux d'exposition sonore journalière doivent être évalués en fonction de chaque application particulière afin d'assurer les mesures de protection éventuellement nécessaires. L'évaluation des niveaux d'exposition doit prendre en compte les temps morts où l'appareil est éteint et non utilisé. Cela peut réduire de manière significative les taux relevés au cours d'une durée de travail déterminée.
 # A ne pas utiliser pour le rainurage des tuyaux acier série 40 de 8" d'une dureté supérieure à 150 BHN. Cela risquerait de produire des rainures déformées et non conformes.

Equipements de base

Reportez-vous au catalogue RIDGID pour les détails visant les accessoires fournis avec les appareils selon leur référence catalogue.

La plaque signalétique de la rainureuse à galets 918-I se trouve sur son embase. Les 4 derniers chiffres indiquent le mois (MM) et l'année (YY) de sa fabrication.

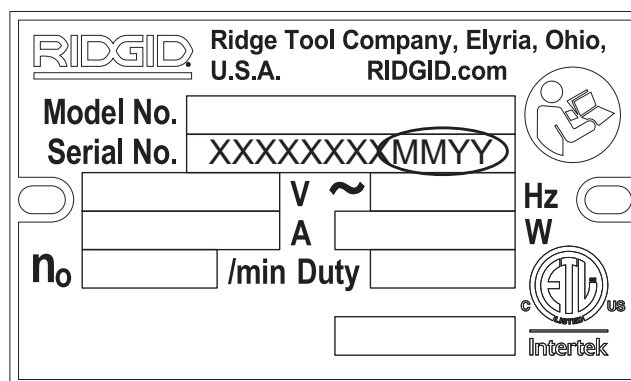


Figure 3 – Numéro de série de l'appareil

AVIS IMPORTANT Utilisée de manière appropriée, la rainureuse à galets type 918-I permet le rainurage des tuyaux de 1" à 12" de diamètre selon les spécifications dimensionnelles de la norme AWWA C606-15. Toute utilisation inappropriée de ce matériel risquerait à la fois de produire des rainures non-conformes et endommager le tuyau et l'appareil.

Le choix des matériaux et des méthodes de raccordement appropriés appartient au bureau d'études et/ou à l'installateur concerné. Avant toute tentative d'installation, il convient d'effectuer une étude approfondie du réseau, notamment au niveau du milieu chimique et thermique desservi. Le choix de matériaux et de méthodes d'installation augmenterait les risques de défaillance du réseau.

L'acier inoxydable et autres matériaux anticorrosion risquent d'être contaminés en cours d'installation, de raccordement ou de façonnage. Une telle contamination risque d'occasionner une corrosion susceptible de nuire à la longévité du réseau. Il convient donc d'effectuer une étude approfondie du réseau, notamment au niveau du milieu chimique et thermique desservi avant toute tentative d'installation.

Assemblage

⚠ AVERTISSEMENT

Suivez les consignes d'assemblage suivantes afin de limiter les risques de grave blessure corporelle.

Utilisez les méthodes de manutention appropriées. La rainureuse à galets 918-I avec son embase pèse 185 lb. (94,1 kg).

Assemblage de la rainureuse à galets

1. Montez les jambages droit et gauche sur l'arceau du chariot à l'aide des vis 6-pans de $\frac{3}{8}$ " - 16 x 2 $\frac{1}{2}$ " et des rondelles d'arrêt fournies. Ne pas serrer les vis.
2. Montez le bac à outils sur les jambes arrière et avant du chariot à l'aide des quatre (4) vis 6-pans de $\frac{3}{8}$ " - 16 x 2 $\frac{3}{4}$ " et des rondelles fendues fournies. Ne pas serrer les vis.
3. Introduisez l'axe à travers les pattes saillant de l'arrière de l'arceau du chariot et retenez-le en position avec les quatre (4) circlips fournis. *Se reporter à la Figure 4.*

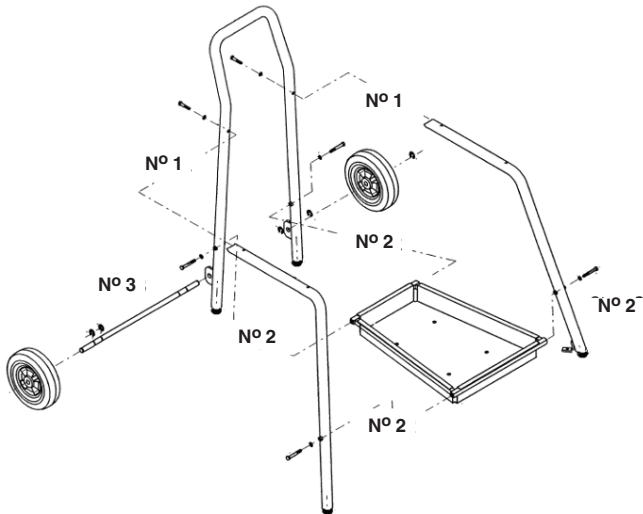


Figure 4 – Assemblage du chariot

4. Montez l'ensemble rainureuse/embase sur le chariot à l'aide des quatre (4) boulons de $\frac{3}{8}$ " - 16 x 2 $\frac{1}{2}$ ", rondelles et écrous papillon fournis (Figure 5). Positionnez délicatement le bloc interrupteur sous le rail du chariot. Il sera peut-être nécessaire de bouger les jambes du chariot pour aligner l'embase.

Introduisez les boulons via l'embase et à travers le chariot pour recevoir les écrous papillon. L'introduction du dernier boulon nécessite le retrait du couvercle de la transmission.

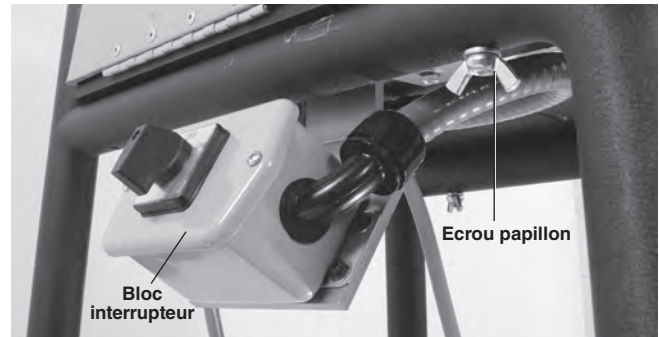


Figure 5 – Montage de la rainureuse sur chariot

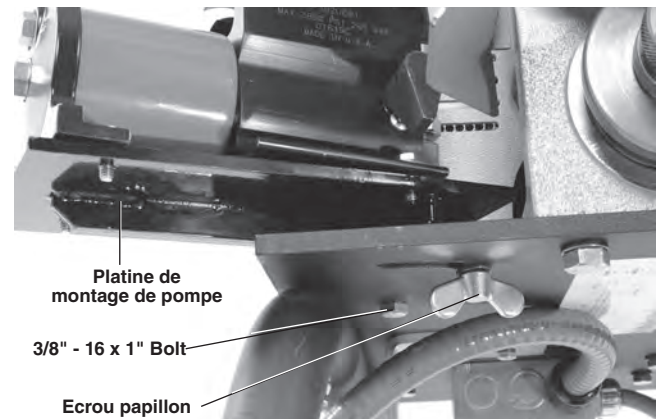


Figure 6 – Montage de la pompe hydraulique

5. Serrez l'ensemble des vis et boulons à fond. Engagez les roues sur l'axe et retenez-les à l'aide des circlips fournis.
6. Coupez l'attache autobloquante servant à immobiliser la pompe hydraulique en cours de transport. Retirez les boulons et écrous papillons de la platine de montage de la pompe.
7. Positionnez la platine de montage de la pompe sur le trou et la fente situés du côté interrupteur de la 918-I. Introduisez le boulon $\frac{3}{8}$ " - 16 x 1" avec rondelle via le trou en sous-face de l'embase de la rainureuse et vissez-le dans la platine de montage de la pompe (Figure 6).
8. Engagez le boulon papillon avec rondelle via la fente de l'embase, puis vissez-le dans la platine de montage de la pompe suffisamment pour immobiliser la pompe.

La pompe hydraulique de la 918-I doit être complètement déployée en cours d'opération. Elle doit être rabattue vers la rainureuse et sa manivelle mise à la verticale durant son transport afin de réduire son gabarit (Figure 7).

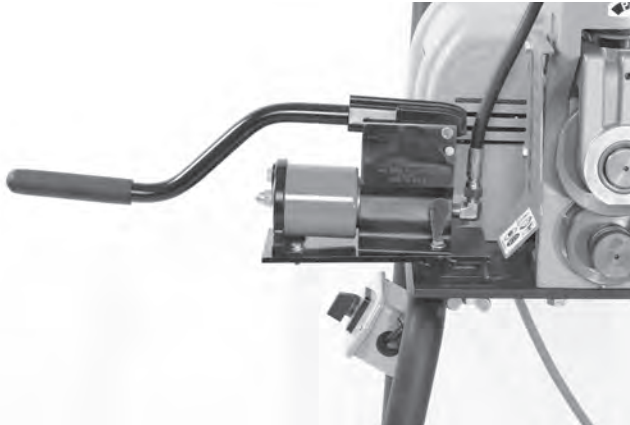


Figure 7A – Pompe en position déployée



Figure 7B – Pompe en position de transport (rabattue)

Inspection préalable

⚠ AVERTISSEMENT



Ne pas utiliser cette rainureuse à galets avec un système d'entraînement ou fileuse dépourvu de pédale de commande.

Afin de limiter les risques de choc électrique, d'écrasement ou autres blessures corporelles graves et éviter d'endommager l'appareil, inspectez la rainureuse à galets et corrigez toute anomalie éventuelle avant chaque intervention.

1. Assurez-vous que l'appareil est débranché et que son interrupteur est en position Arrêt.
2. Éliminez toutes traces d'huile, de graisse et de crasse de la rainureuse, notamment au niveau du levier de pompe et de la manivelle du stabilisateur. Cela facilitera son inspection et assurera une meilleure prise en main de l'appareil en cours d'utilisation.
3. L'inspection préalable de la rainureuse doit couvrir les points suivants :
 - L'assemblage, entretien et intégralité de la rainureuse.
 - L'absence de détérioration ou modification de son cordon d'alimentation et sa fiche.
 - L'absence d'éléments brisés, usés, absents, désalignés ou grippés.
 - D'éventuels signes de fuite hydraulique, tel que des traces d'huile sur la rainureuse.
 - La présence et condition du carter de protection (Figure 1). Ne pas utiliser la rainureuse à galets sans son carter de protection.
 - La présence et le bon fonctionnement de la pédale de commande. Vérifiez le branchement approprié et l'état de la pédale, notamment au niveau de sa liberté de mouvement.
 - La présence et lisibilité de l'avertissement apposé sur l'appareil (Figures 1 et 8).
 - L'état des galets de rainurage et d'entraînement. Si les nervures du galet d'entraînement sont encrassées, nettoyez-les à l'aide d'une brosse métallique. Des nervures encrassées ou usées risquent d'occasionner le dérapage et le déport du tuyau en cours de rainurage.
 - L'état de la roue du stabilisateur. Remplacer au besoin.
 - La position de la pompe hydraulique, celle-ci devant être complètement déployée.
 - Toute autre anomalie qui serait susceptible de nuire à la sécurité et au bon fonctionnement de l'appareil.
 - Le cas échéant, corrigez toute anomalie éventuelle avant de réutiliser la rainureuse.

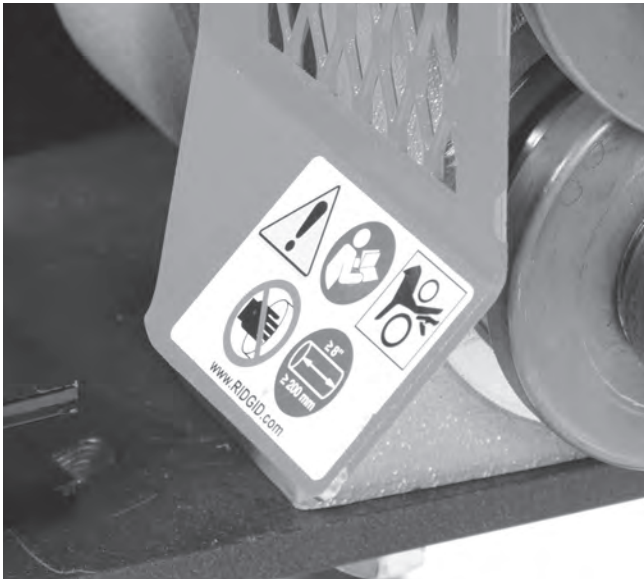


Figure 8 – Avertissement

- Reportez-vous aux modes d'emploi des autres appareils et dispositifs présents afin d'assurer leur inspection, entretien et bon fonctionnement.

Préparation et utilisation de l'appareil

⚠ AVERTISSEMENT



Préparez la rainureuse et le chantier selon les indications suivantes afin d'assurer son bon fonctionnement et limiter les risques de choc électrique, renversement, écrasement ou autres blessures et éviter d'endommager l'appareil.

- Le chantier en question doit assurer :
 - Un éclairage suffisant.
 - L'absence de liquides, vapeurs ou poussières combustibles qui seraient susceptibles de s'enflammer. Le cas échéant, ne pas travailler dans les locaux avant l'identification et élimination de leur source, suivi de la ventilation complète des lieux.
 - Un endroit dégagé, propre, de niveau, stable et au sec pour l'installation du matériel et pour son utilisateur. Éliminez toutes traces d'huile présentes.
 - Une alimentation électrique avec terre et de tension adéquate. La tension nécessaire est indiquée sur la plaque signalétique de l'appareil. Il est possible qu'une prise de courant avec terre et disjoncteur

différentiel ne soit pas effectivement mis à la terre. En cas de doute, faites-la vérifier par un électricien.

- Examinez le tuyau à rainurer, puis reportez-vous à la rubrique Caractéristiques techniques pour sélectionner l'outil approprié. Le rainurage d'autres types de tuyau est couvert dans le catalogue RIDGID en ligne à RIDGID.com. N'utiliser cette rainureuse que pour le rainurage de tuyaux rectilignes. Ne tentez pas de rainurer des tuyaux équipés de tés, coudes ou autres protubérances. Cela augmenterait les risques d'accident.
- Vérifiez que l'ensemble du matériel utilisé ait été correctement inspecté et assemblé. Assurez-vous que le jeu de galets de rainurage installé correspond bien à l'application envisagée.

AVIS IMPORTANT L'utilisation d'un même jeu de galets de rainurage et d'entraînement à la fois sur des tuyaux en acier et en acier inoxydable risque de contaminer ces derniers. Une telle contamination risque de provoquer une corrosion susceptible d'entraîner leur défaillance prématurée. Le meilleur moyen d'éviter la contamination ferreuse des tuyaux en acier inoxydable est de dédier des jeux de galets au seul rainurage des tuyaux inox. À défaut, utilisez une brosse en inox pour soigneusement nettoyer les galets lors de la transition acier/inox.

- Positionnez la 918-I sur le chantier. Vérifiez que son interrupteur Marche/Arrêt se trouve en position Arrêt.
- Au besoin, boulonnez le chariot de la 918-I au sol pour plus de stabilité (Figure 1).
- Positionnez la pédale de commande comme indiqué à la Figure 16.
- Assurez-vous que la pompe hydraulique est déployée.
- Avec l'interrupteur Marche/Arrêt en position Arrêt, acheminez le cordon d'alimentation le long d'un passage dégagé. Avec les mains sèches, branchez la fiche du cordon sur une prise de courant avec terre appropriée. Gardez toutes connexions au sec et surélevées. Si le cordon d'alimentation de l'appareil n'est pas suffisamment long, utilisez une rallonge électrique :
 - En bon état.
 - Équipée d'une prise compatible avec la fiche à trois barrettes de la rainureuse.
 - Homologuée pour utilisation à l'extérieur et portant la désignation « W » ou « W-A » (par ex. ; SOW).
 - De section suffisante, à savoir ; au moins 16 AWG (1,5 mm²) pour une longueur maximale de 50' (15,2 m) et au moins 14 AWG (2,5 mm²) pour celles de 50' à 100' (15,2 à 30,5 m).
- Assurez-vous de bon fonctionnement de l'appareil. En gardant vos mains éloignées des mécanismes ;

- Mettez l'interrupteur Marche/Arrêt en position Marche. Appuyez momentanément sur la pédale de commande. Vérifiez que le galet de rainurage tourne bien en sens horaire comme indiqué sur la rainureuse pour le sens de rotation du tuyau (Figure 12). Faites réviser l'appareil si sa rotation est inversée ou si sa pédale de commande n'assure pas sa fonction marche/arrêt.
- Appuyez sur la pédale de commande assez longtemps pour détecter le désalignement ou grippage des mécanismes, de bruits anormaux ou toute autre anomalie susceptible de nuire au bon fonctionnement de l'appareil. Le cas échéant, faites réviser la rainureuse.
- Lâchez la pédale de commande.

10. Mettez l'interrupteur Marche/Arrêt à la position Arrêt, puis, avec les mains sèches, débranchez l'appareil.

Mode d'emploi

⚠ AVERTISSEMENT



Eloignez vos mains des galets de rainurage. Ne portez pas de gants mal ajustés. Vos doigts risqueraient d'être écrasés entre les galets, entre le galet de rainurage et le tuyau ou entre le tuyau et la roue du stabilisateur.

Eloignez vos mains des extrémités du tuyau. Ne mettez pas vos mains à l'intérieur du tuyau. Ne touchez pas la rainure en cours de rainurage. Ses bavures et bords tranchants peuvent accrocher et couper vos mains. Vos doigts risqueraient d'être écrasés entre les galets ou entre ceux-ci et le tuyau.

Gardez le carter de protection en place. N'utilisez pas la rainureuse sans son carter de protection. Toute exposition aux galets de rainurage augmenterait les risques d'entortillement et de blessure grave.

Ne tentez de rainurer que des tuyaux d'une longueur minimale de 8" (200 mm). Le rainurage de tuyaux de longueur inférieure à celle spécifiée augmenterait les risques d'enchevêtrement et d'écrasement.

Ne pas utiliser ce type de rainureuse à galets sur des systèmes d'entraînement ou fileteuses dépourvus de pédale de commande. Ne jamais tenter de bloquer une pédale de commande en position « Marche » afin de l'empêcher de contrôler l'appareil. Une pédale de commande permet de mieux contrôler l'appareil en l'arrêtant dès qu'elle est relâchée. Si un vêtement se prend dans le mécanisme et que le moteur continu à tourner, vous serez entraînés dans l'appareil. Cet appareil produit un couple capable d'entortiller les vêtements autour d'un membre avec suffisamment de force pour écraser ou briser les os et provoquer des contusions ou autres blessures.

Assurez-vous de la stabilité de la rainureuse, du tuyau, des supports et du système d'entraînement. Vérifiez le montage et l'arrimage appropriés de la rainureuse.

Cela évitera les risques de renversement du matériel et du tuyau. **Soutenez le tuyau de manière appropriée.** Cela aidera à éviter le renversement du tuyau et du matériel.

Portez systématiquement une protection oculaire. Portez des chaussures blindées afin de vous protéger en cas de renversement du matériel ou des tuyaux.

Préparez et utilisez cette rainureuse à galets selon les indications suivantes afin de limiter les risques de renversement de l'appareil, d'entortillement ou écrasement des membres et autres accidents, voire la détérioration éventuelle du matériel.

Vérifiez la préparation appropriée de l'appareil et du chantier, ainsi que l'absence de spectateurs ou autres distractions potentielles. L'utilisateur doit être le seul individu présent durant le fonctionnement de l'appareil.

Préparation des tuyaux

AVIS IMPORTANT Il s'agit ici de consignes générales. Reportez-vous aux consignes spécifiques du fabricant des joints d'étanchéité en matière de la préparation des extrémités des tuyaux. Le non-respect de ces dernières augmenterait les risques de défaillance des joints étanches et de fuite.

1. Respectez les limites de conformité des tuyaux. Les tuyaux hors norme risquent d'occasionner des fuites et autres problèmes. L'ovalisation des tuyaux ne doit pas excéder les limites de diamètre extérieur indiquées à la rubrique *Caractéristiques de rainurage standard du Tableau II*.
2. Coupez le tuyau à la longueur voulue, tout en respectant la longueur minimale de tuyau pouvant être rainurée.
 - Les tuyaux de 5" ou moins de diamètre doivent avoir une longueur minimale de 8" (200 mm).
 - Les tuyaux de 6" à 12" de diamètre doivent avoir une longueur minimale de 10" (250 mm).

Le rainurage de tuyaux de longueur insuffisante augmenterait les risques d'écrasement et d'entortillement des doigts.

3. La coupe des extrémités du tuyau doit être rectiligne et sans bavures. Les bavures peuvent accrocher ou déchirer vos gants et vos doigts en cours de rainurage. La méthode utilisée pour le sectionnement des tuyaux et la présence de grosses bavures risquent d'influencer à la fois la qualité du rainurage et le tracé de la rainureuse. Ne jamais tenter de rainurer de tuyaux coupés au chalumeau.
4. Éliminez toutes billes, creux ou boursoufflures de soudage internes et externes, écailles, salissures, rouille ou autres contaminants sur une profondeur d'au moins 2" à partir de l'extrémité du tuyau. Ne jamais couper de plats au droit de l'assise du joint d'étanchéité, car

cela pourrait favoriser les fuites. La présence de contaminants risque de colmater les bourrelets du galet d'entraînement et empêcher la rotation et le traçage approprié du tuyau en cours de rainurage.

Engagement et désengagement du galet de rainurage

Le déplacement du galet de rainurage est contrôlé par sa pompe hydraulique.

- Pour engager le galet de rainurage, mettez le levier d'engagement de la pompe en position « engager », puis actionnez le manche de la pompe.
- Pour désengager le galet de rainurage, mettez le levier à la position « désengager » (Figure 9).

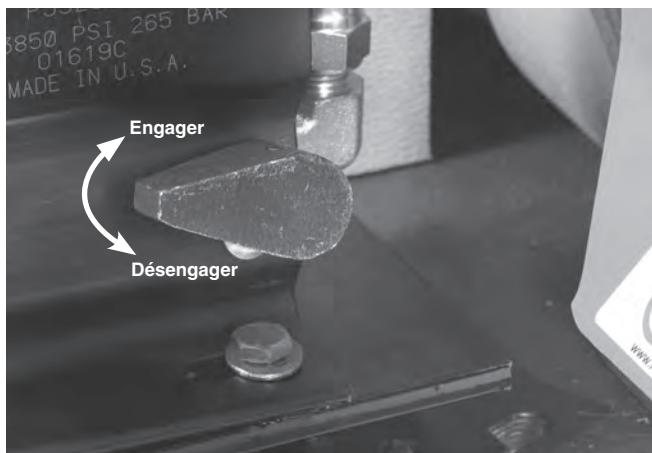


Figure 9 – Position du levier d'engagement de la pompe

Positionnement du tuyau sur la rainureuse

1. Vérifiez que le commutateur du système d'entraînement est en position OFF.
2. Désengagez le galet de rainurage complètement.
3. Prévoyez les porte-tubes appropriés afin de soutenir le tuyau. Réglez la hauteur des porte-tubes de manière à tenir le tuyau de niveau avec son extrémité assise sur le galet d'entraînement (Figure 10).

Positionnez les porte-tubes dans l'alignement de la rainureuse. Leur écartement dépendra de la longueur du tuyau.

Les tuyaux de faible longueur (Tableau A) devront être soutenus à la fois par le galet d'entraînement et au moins un porte-tubes. Le cas échéant, le porte-tubes devra être éloigné de la rainureuse d'un peu plus de la moitié de la longueur du tuyau.

Tableau A – Longueurs mini et maxi des tuyaux pouvant être rainurés avec un seul porte-tubes (en pouces).

Ø nom.	Longueur Length	Longueur Length	Ø nom.	Longueur Length	Longueur Length
1	8	36	4	8	36
1¼	8	36	4½	8	32
1½	8	36	5	8	32
2	8	36	6 Ø ext.	10	30
2½	8	36	6	10	28
3	8	36	8	10	24
3½	8	36	10	10	24
4	8	36	12	10	24

Les tuyaux de plus grande longueur nécessiteront au moins deux porte-tubes, chacun placé approximativement au quart de sa longueur. Un manque de soutien approprié du tuyau risque d'occasionner sa chute et le renversement de l'ensemble. L'utilisation de porte-tubes est impérative. Ils aident à aligner les tuyaux et maintenir le tracé de rainurage.

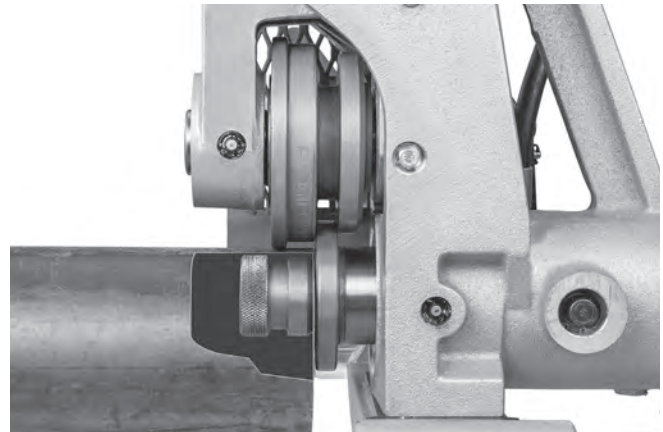


Figure 10 – Positionnement du tuyau sur le galet d'entraînement et contre la butée de l'arbre d'entraînement (Ici, le stabilisateur a été enlevé pour plus de clarté)

4. Placez le tuyau sur le (ou les) porte-tubes avec son extrémité assise sur le galet d'entraînement et appuyée contre la butée de l'arbre d'entraînement (Figure 10). Vérifiez la stabilité et l'assise du tuyau.



Figure 11 – Nivellement du tuyau

5. Amenez le galet de rainurage contre le tuyau juste assez pour le retenir, mais sans le rainurer.
6. Vérifiez l'alignement du tuyau. S'il n'est pas correctement aligné, son rainurage risque d'osciller.
 - L'extrémité du tuyau doit s'appuyer contre la butée de l'arbre d'entraînement.
 - Les axes du tuyau et de l'arbre d'entraînement doivent être alignés. Cet alignement peut être vérifié à l'aide d'un niveau à bulle placé sur le cylindre hydraulique et sur le tuyau (Figure 11).
 - La rainureuse doit être parfaitement stable. Si elle a tendance à se soulever si peu soit-il, il sera nécessaire de repositionner le (ou les) porte-tubes.
7. Ramenez légèrement le tuyau et les porte-tubes d'environ $\frac{1}{2}^\circ$ vers l'utilisateur, soit d'un pouce par 10 pieds de longueur de tuyau. L'alignement du tuyau et de la rainureuse aidera à assurer le tracé approprié de la rainure en cours d'opération (Figure 12). Ceci est le déport nécessaire au rainurage des tuyaux en position REV et permet l'utilisation du stabilisateur.

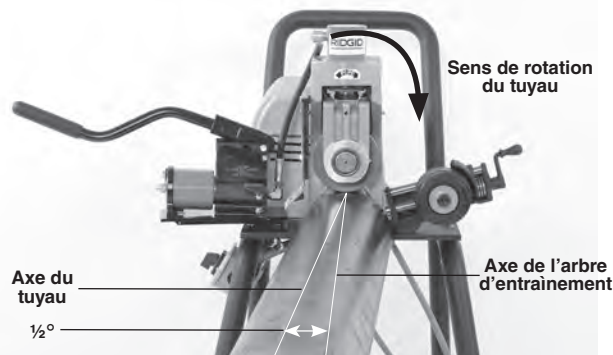


Figure 12 – Déport du tuyau de $\frac{1}{2}^\circ$ vers l'utilisateur (exagéré)

8. Limitez l'accès au chantier ou entourez-le de barrières afin de créer un périmètre d'au moins 3' (1m) autour du matériel et du tuyau. Cela aidera à éviter à autrui d'entrer en contact avec le matériel et le tuyau, en plus de limiter les risques de renversement et d'entortillement.
9. Avec les mains sèches, branchez le système d'entraînement ou la fileteuse dans une fiche électrique avec terre appropriée.

Etablissement et réglage du diamètre de rainurage

AVIS IMPORTANT Vu la variété des caractéristiques des divers types de tuyaux, et afin de limiter les risques de rainures hors normes, il est impératif d'effectuer un rainurage-témoin avant la première intervention du jour et en cas de changement de section, type, nature ou lot de tuyaux. Procédez ensuite à la vérification du diamètre du tuyau en fond de rainure.

1. Assurez-vous de la préparation appropriée du matériel et du tuyau, ainsi que du positionnement de ce dernier. Une préparation inadéquate risque de nuire à la précision du diamètre de rainurage.
2. Le galet de rainurage doit légèrement gripper le tuyau. Au besoin, faites avancer le galet de rainurage juste assez pour gripper le tuyau, mais sans l'entamer.
3. Tournez la molette de l'écrou de réglage de profondeur jusqu'à buter.
4. Ramenez l'écrou de réglage de profondeur d'un tour complet (Figure 13).



Figure 13 – Réglage de l'écrou de profondeur de rainurage

5. Effectuez un rainurage témoin.
6. Examinez et mesurez le rainurage témoin. Si le diamètre du rainurage est hors norme, il sera nécessaire de tourner la molette de l'écrou de réglage de profondeur jusqu'à obtenir le diamètre de rainurage voulu (Figure 13).
 - Pour augmenter le diamètre de rainurage (rainure moins profonde), tournez la molette de réglage en sens horaire.
 - Pour diminuer le diamètre de rainurage (rainure plus profonde), tournez la molette de réglage en sens anti-horaire.
 - Chaque quart de tour de l'écrou de réglage modifie le diamètre de rainurage par environ 0,025" (0,6 mm). Chaque incrément de la molette de réglage correspond à un changement de diamètre d'environ 0,002" (0,05 mm).
7. Répétez les étapes 4 à 6 jusqu'à obtenir le diamètre de rainurage voulu. Si le diamètre de rainurage est trop important, la rainureuse peut être réglée afin de le réduire. Si le diamètre de rainurage est trop faible, il sera nécessaire d'entamer une nouvelle rainure. L'étanchéité des connexions dépend entièrement du diamètre précis des rainurages. Des rainurages imprécis augmenteraient les risques de fuite.

Utilisation du stabilisateur

Le stabilisateur s'appuie légèrement sur les tuyaux de 2½" à 12" de diamètre afin d'améliorer leur traçage. Il est particulièrement utile lors du rainurage de courtes longueurs de tuyau, mais peut aussi servir pour toutes longueurs de tuyau. Le stabilisateur réduit également le balayage de tuyaux de grande longueur et de grand diamètre.

1. Préparez le matériel de manière appropriée, puis engagez le tuyau.
2. Réglez le diamètre de rainurage voulu.
3. Tournez la manivelle du stabilisateur pour l'amener contre le tuyau. Ajoutez un tour de manivelle pour mettre sa roue en charge contre le tuyau (Figure 14). Ne pas passer votre main de l'autre côté du tuyau pour régler le stabilisateur.
4. Rainurez le tuyau. En cours d'opération, éloignez vos mains du galet de rainurage, de la roue du stabilisateur et de l'extrémité du tuyau. Ne tentez pas de rainurer des longueurs de tuyau plus courtes qu'indiqué, de mettre votre main à l'intérieur du tuyau ou de toucher la rainure. Cela limitera les risques de blessure.

Si, en cours de rainurage, le tuyau commence à dévier, lâchez la pédale de commande et arrêtez le processus. Préparez une nouvelle rainure, puis tournez la manivelle d'un demi-tour de plus afin d'augmenter la charge. N'augmentez pas la charge excessivement, car cela pourrait endommager le galet.

Une fois le stabilisateur réglé pour un diamètre et type de tuyau donné, il n'est généralement pas nécessaire de le réajuster ou de le ramener lors du positionnement ou retrait des tuyaux suivants.

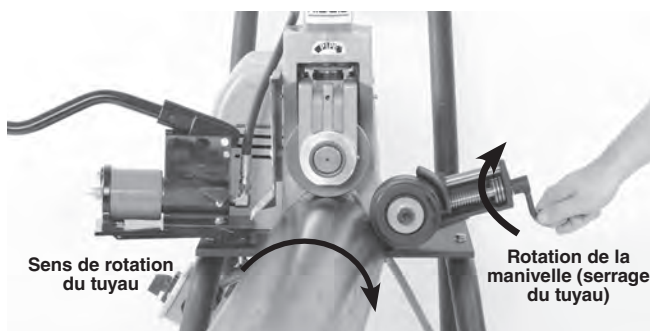


Figure 14 – Déport du tuyau de ½° (exagéré)

Rainurage des tuyaux

1. Vérifiez l'installation du matériel, ainsi que la préparation et positionnement du tuyau. Ne tentez pas de rainurer des tuyaux d'une longueur inférieure à 8".
2. Réglez le diamètre de rainure voulu.

3. Au besoin, réglez la position du stabilisateur.
4. Adoptez la position de travail appropriée (Figure 15) afin de mieux contrôler l'appareil et le tuyau.
 - Tenez-vous face à la rainureuse, côté interrupteur Marche/Arrêt, de manière à pouvoir accéder à la fois à l'interrupteur, au levier de pompe et au tuyau. Votre main gauche tiendra le levier de pompe, tandis que votre main droite sera éloignée du tuyau sauf si vous devez y appuyer légèrement pour maintenir son alignement comme indiqué à la rubrique *Conseils d'alignement*.
 - Assurez-vous de pouvoir contrôler la pédale de commande. N'appuyez pas encore sur la pédale de commande. En cas d'urgence vous devez pouvoir lâcher la pédale.
 - Assurez-vous de pouvoir maintenir votre équilibre à tout moment durant le processus.



Figure 15 – Position de travail appropriée

5. Mettez l'interrupteur Marche/Arrêt en position Marche.
6. Appuyez sur le levier de pompe sur environ un quart de sa course totale pour engager le galet de rainurage contre le tuyau.
7. Appuyez sur la pédale de commande. Le tuyau se mettra à tourner. Laissez le tuyau effectuer une rotation complète entre chaque appui d'un quart de course du levier de pompe. Ne faites pas avancer le galet de rainurage trop agressivement, car cela risquerait de déloger le tuyau de la rainureuse et déformer la rainure. Éloignez vos mains des galets, du tuyau et de la roue du stabilisateur. Ne tentez pas de mettre votre main dans le tuyau ou toucher la rainure.

Suivez le processus de rainurage de près. L'extrémité du tuyau doit rester en contact avec la butée de l'arbre d'entraînement et le tuyau doit maintenir l'alignement prévu à tout moment. Si le tuyau commence à se dé-

porter, lâchez la pédale de commande et interrompez le processus. Eloignez-vous de l'appareil au cas où le tuyau se délogerait des galets. Si le tuyau commence à naviguer, interrompez le processus et vérifiez son positionnement. Si le tuyau est endommagé, il sera nécessaire d'entamer un nouveau rainurage.

Continuez d'appuyer sur le levier de pompe sur un quart de course après chaque rotation du tuyau.

Lors de l'utilisation d'un jeu de galets de 1", il est particulièrement important d'éviter les risques associés à une agressivité de rainurage excessive, un mauvais réglage du diamètre de rainure, un manque de profondeur de rainure et à plus d'un quart de course d'appui sur le levier de pompe par rotation de tuyau. Cela risque d'endommager le galet d'entraînement de 1".

8. Lorsque l'écrou de réglage de profondeur atteint le haut de la rainureuse, laissez le tuyau faire encore deux tours complets afin d'assurer une profondeur de rainure uniforme.
9. Lâchez la pédale de commande.
10. Mettez le commutateur Marche/Arrêt en position Arrêt.
11. Ramenez le galet de rainurage, puis retirez le tuyau de la rainureuse.
12. Examinez et mesurez la rainure.

Conseils d'alignement

Il arrive qu'en cours de rainurage, le tuyau s'échappe des galets ou qu'il sort d'alignement.

Il importe de respecter l'ensemble des consignes ci-devant si l'on veut maintenir l'alignement des tuyaux. Si, même après avoir suivi ces instructions, le tuyau refuse de rester aligné, essayez les astuces suivantes :

- Augmentez légèrement le déport du tuyau (de $\frac{1}{2}^{\circ}$ à 1°) selon la Figure 12.
- Ajoutez un demi-tour à la manivelle du stabilisateur.
- Appuyez légèrement sur le tuyau pour maintenir son alignement. Cela n'est généralement nécessaire que lors des rainurages sans stabilisateur de courtes longueurs de tuyau. Pour ce faire, portez des gants de cuir en bon état avant de retenir le tuyau légèrement vers vous comme indiqué à la Figure 16. Cela peut nécessiter l'arrimage au sol du système d'entraînement et du porte-tubes pour éviter leur déplacement en cours d'opération. Limitez les risques d'écrasement et de coupure en éloignant votre main du galet de rainurage et des extrémités du tuyau. Ne tentez pas de rainurer de tuyaux plus courts qu'indiqués, ne mettez pas vos mains à l'intérieur du tuyau, et ne touchez pas la rainure.



Figure 16 – Appuyer sur le tuyau

Vérification du diamètre de rainure

1. Contrôle de l'état de la rainure :
 - Vérifiez la présence et conformité de l'ensemble des caractéristiques voulus en vous reportant au *Tableau II* et à la *Figure 17*.
 - Mesurez le diamètre du tuyau en fond de rainure et assurez-vous de sa conformité aux spécifications indiquées.
 - Vérifiez tout autre élément précisé par le fabricant des raccords.
 - Testez le système selon la réglementation locale et les règles de l'art.

En cas d'anomalie, n'utilisez pas cette rainure. Un diamètre en fond de rainure approprié est essentiel à l'étanchéité de la connexion. Une rainure hors normes pourrait occasionner la défaillance de la connexion.

2. Mesurez le diamètre en fond de rainure du tuyau à l'aide du ruban optionnel indiqué dans la rubrique *Accessoires*. Entourez le fond de rainure en vérifiant que le ruban reste à plat, puis relevez le diamètre indiqué (*Figure 17*). Comparez le diamètre de fond de rainure au diamètre indiqué aux tableaux II ou III, ou bien celui indiqué par le fabricant des raccords.



Figure 17 – Vérification du diamètre en fond de rainure à l'aide d'un ruban

Transport de l'appareil

1. Mettez l'interrupteur Marche/Arrêt en position Arrêt, puis débranchez la rainureuse.
2. Nettoyez l'appareil. Afin d'éviter la chute ou le renversement des outils, retirez ou arrimez tout matériel posé sur la rainureuse et son chariot avant de la déplacer.
3. Desserrez l'écrou papillon, rabattez la pompe, puis resserrez l'écrou papillon (Figure 6).
4. Rembobinez le cordon d'alimentation et le cordon de la pédale de commande.
5. Faites attention lors de la manutention de l'appareil. N'oubliez pas son poids.

Remisage

⚠ AVERTISSEMENT La rainureuse à galets 918-I doit être rangée à l'intérieur ou suffisamment bien protégée contre les intempéries. Gardez l'appareil sous clé et hors de la portée des enfants et des curieux. Cet appareil est capable de provoquer de graves lésions corporelles s'il tombe entre les mains d'individus sans formation adéquate.

Consignes d'entretien

⚠ AVERTISSEMENT

Assurez-vous que l'interrupteur Marche/Arrêt se trouve en position Arrêt et que le cordon de l'appareil est débranché avant toute tentative d'entretien ou de réglage.

Maintenez l'a rainureuse à galets 918-I selon les indications suivantes afin de limiter les risques de blessure.

Nettoyage

Utilisez un chiffon doux humecté pour nettoyer la rainureuse.

Nettoyez le moletage du galet d'entraînement à l'aide d'une brosse métallique avant et durant chaque intervention. Lors du rainurage des tuyaux en acier inoxydable, nettoyez les deux galets à l'aide d'une brosse en acier inoxydable.

Lubrification

Lubrifiez la rainureuse mensuellement (ou plus souvent si nécessaire) avec une graisse au lithium du commerce. Lubrifiez-la systématiquement après chaque changement de galets.

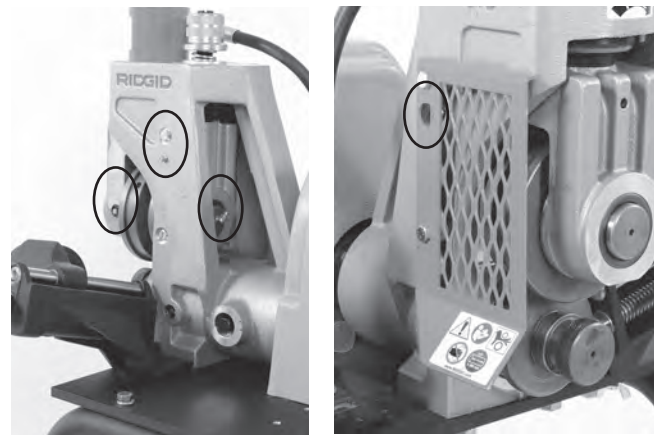


Figure 18 – Graisseurs

- Gavez les graisseurs indiqués à la Figure 18 jusqu'à la sortie d'une petite quantité de graisse.
- Lubrifiez les articulations et pièces en frottement tels que l'écrou de réglage de profondeur et la vis d'avancement du stabilisateur à l'aide d'une huile minérale légère. Essayez toutes traces d'huile excédentaire.

La boîte d'engrenages de la rainureuse à galets est étanche et ne devrait nécessiter de lubrification supplémentaire que si elle développe une fuite significative. Le cas échéant, l'appareil devra être confié à un centre de service.

Niveau d'huile hydraulique

Enlevez le bouchon de remplissage d'huile (Figure 19). Le niveau de l'huile devrait atteindre le repère haut lorsque la pompe est assise avec son vérin rétracté. Utilisez exclusivement de l'huile hydraulique ISO 15.

L'huile hydraulique doit être remplacée annuellement ou plus souvent si nécessaire. Pour la vidanger, ouvrez le bouchon de remplissage et videz l'huile dans un récipient approprié. *Disposez de l'huile usée selon les indications de la Fiche Signalétique de l'appareil et de la réglementation en vigueur.*

Il sera peut-être nécessaire de purger l'air du système hydraulique après changements d'huile. Pour ce faire, couchez la pompe sur son côté, puis actionnez son vérin à plusieurs reprises afin de permettre à l'air de revenir vers le réservoir.



Figure 19 – Bouchon de remplissage d'huile

Changement des jeux de galets

AVIS IMPORTANT Lors de leur remplacement, assurez-vous que chaque jeu de galets est appareillé. Des galets de rainurage et d'entraînement désappareillés risqueraient de produire des rainures de mauvaise qualité et provoquer des fuites. Changez systématiquement le jeu de galets au complet. Ne jamais mélanger de galets venant de jeux différents.

Soutenez les galets et les arbres de manière appropriée lors de leur remplacement.

Remplacement du galet de rainurage

1. Ramenez le galet de rainurage entièrement.
2. Ramenez la roue du stabilisateur entièrement.
3. Desserrez la vis de blocage du galet de rainurage (Figure 20). Retirez l'ensemble arbre/galet de la rainureuse en tirant sur le galet (Figure 21).
4. Installez le nouvel ensemble arbre/galet en inversant le processus. En ce faisant, assurez-vous de la parfaite propreté des surfaces afin d'éviter la contamination des roulements. Lubrifiez les roulements avant d'utiliser l'appareil.



Figure 20 – Desserrage de la vis de blocage du galet de rainurage

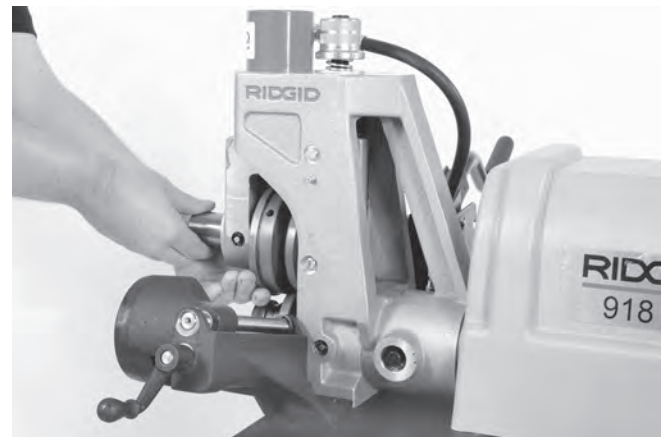


Figure 21 – Retrait de l'ensemble arbre/galet de rainurage

Changement de l'ensemble arbre/galet d'entraînement

La 918-I utilise deux types d'arbre d'entraînement ; Un arbre monobloc à galet incorporé pour les tuyaux Ø 2" à 6" et Ø 8" à 12", et un arbre deux pièces permettant le montage de galets interchangeables pour les tuyaux Ø 1", 1¼" et 1½", ainsi que les galets pour cuivre Ø 2" à 6" (Figure 22).

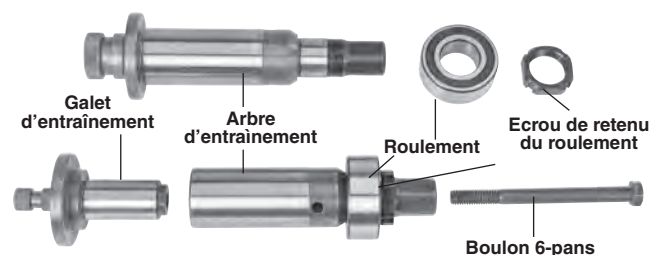


Figure 22 – Arbre monobloc (haut) et arbre deux pièces (bas)

Changement de l'arbre d'entraînement

1. Servez-vous de la clé Allen $\frac{3}{16}$ " fournie pour desserrer les deux vis de la partie avant du couplage de transmission (Figure 23).

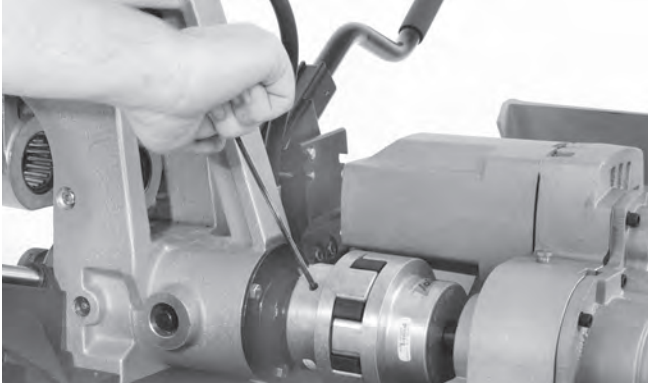


Figure 23 – Desserrer les deux vis du couplage de transmission

2. Utilisez la clé fournie pour retirer l'écrou de retenue du roulement d'arbre d'entraînement.

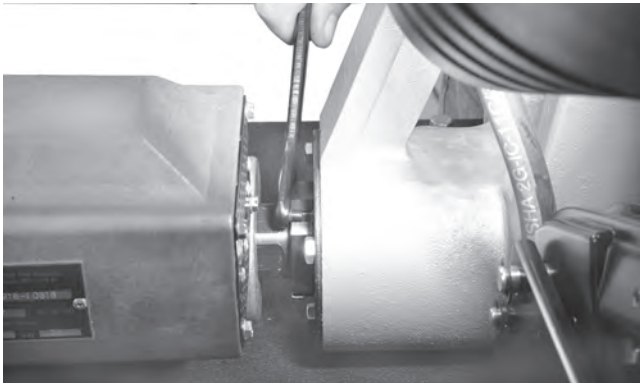


Figure 24 – Desserrer et retirer l'écrou de retenue de l'arbre d'entraînement

3. Retirez l'arbre d'entraînement via l'avant de la rainureuse (Figure 25).
4. Introduisez le nouvel arbre d'entraînement via le carter et l'écrou de retenue du roulement d'arbre d'entraînement avec les inscriptions à l'extérieur et en l'alignant sur le couplage. Assurez la parfaite propreté des surfaces afin d'éviter la contamination des roulements. Lubrifiez les roulements avant d'utiliser l'appareil.
5. Utilisez la clé fournie pour serrer l'écrou de retenue du roulement d'arbre d'entraînement.
6. Resserrez les vis de blocage du couplage de transmission.
7. Fermez le couvercle de la transmission complètement.

Changement des galets d'entraînement (sur arbres d'entraînement deux pièces)

1. Retirez le galet de rainurage.
2. Ouvrez le couvercle de la transmission.
3. Servez-vous de la clé Allen $\frac{3}{16}$ " fournie pour desserrer les deux vis de la partie avant du couplage de transmission (Figure 23).
4. Utilisez la clé fournie pour retirer l'écrou de retenue du roulement d'arbre d'entraînement (Figure 24).
5. Tirez l'arbre d'entraînement vers l'avant. Retirez la moitié avant du couplage de transmission et l'écrou de retenue du roulement d'arbre d'entraînement. Réintroduisez l'arbre d'entraînement.
6. Utilisez la clé polygonale $\frac{15}{16}$ " pour desserrer le tirant (Figure 26).
7. Tapez sur la tête du tirant avec un maillet doux pour déloger le galet de l'arbre d'entraînement.
8. Dévissez le tirant du galet d'entraînement, puis retirez le galet de l'arbre d'entraînement par l'avant de la rainureuse.
9. Montez un nouveau galet d'entraînement, puis réintroduisez et serrez le tirant à la main.
10. Tournez manuellement l'ensemble arbre/galet d'entraînement tout en appuyant sur la broche de blocage d'arbre jusqu'à ce qu'elle s'engage dans l'orifice prévu de l'arbre d'entraînement.
11. Une fois la broche de blocage engagée, servez-vous de la clé polygonale de $\frac{15}{16}$ " pour serrer le tirant.
12. Lâchez la broche de blocage pour permettre son retrait.
13. Tirez l'arbre d'entraînement en avant. Montez la partie avant du couplage sur sa partie arrière. Enfilez l'arbre d'entraînement à travers l'écrou de retenue du roulement en le centrant sur l'orifice du couplage.
14. Utilisez la clé fournie pour serrer l'écrou de retenue du roulement d'arbre d'entraînement.
15. Serrez les vis de blocage du couplage de la transmission.
16. Fermez le couvercle de transmission.

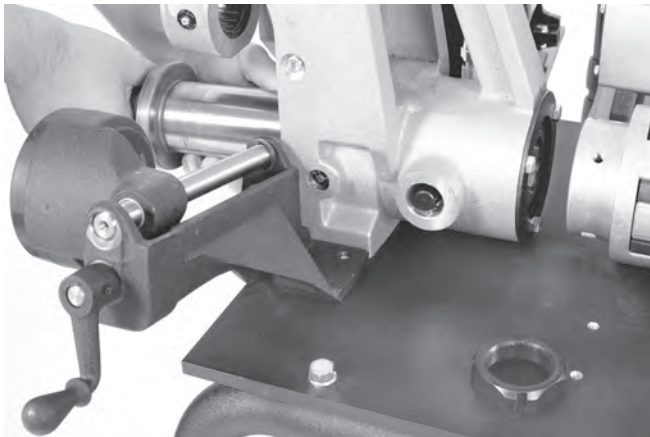


Figure 25 – Retrait de l'arbre d'entraînement

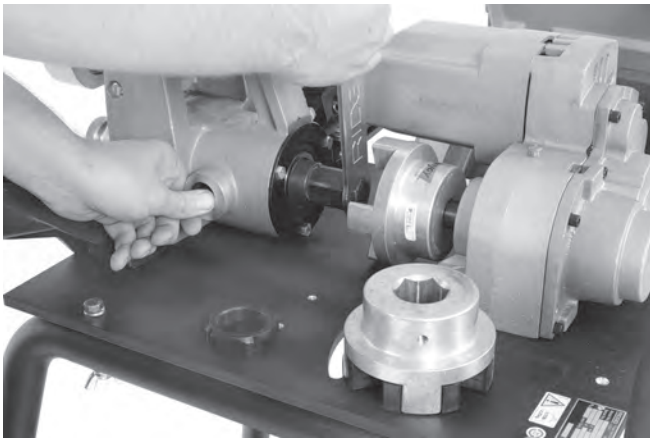


Figure 26 – Retrait du tirant

Remplacement d'un arbre d'entraînement monobloc par un arbre d'entraînement deux pièces

1. Retirez l'arbre d'entraînement monobloc.
2. Retirez la partie avant du couplage.
3. Montez le galet d'entraînement approprié sur l'arbre d'entraînement deux pièces, puis serrez le tirant à la main.
4. Introduisez l'arbre d'entraînement deux pièces dans la rainureuse.
5. Engagez la broche de blocage d'arbre, puis utilisez la clé polygonale $^{15}/_{16}$ " pour serrer le tirant.
6. Lâchez la broche de blocage d'arbre pour lui permettre de se retirer.
7. Tirez l'arbre d'entraînement en avant. Montez la partie avant du couplage sur sa partie arrière. Enfillez l'arbre d'entraînement à travers l'écrou de retenue du roulement en le centrant sur l'orifice du couplage.
8. Utilisez la clé fournie pour serrer l'écrou de retenue du roulement d'arbre d'entraînement.

9. Serrez les vis de blocage du couplage de la transmission.
10. Fermez le couvercle de transmission.

Remplacement des balais moteur

Examinez les balais moteur tous les 6 mois. Remplacez-les dès que leur épaisseur est réduite à moins de $1/2$ ".

1. Ouvrez le couvercle de la transmission.
2. Retirez les quatre vis de fixation du couvercle du moteur, puis retirez la partie arrière du couvercle.
3. Retirez les balais moteur à l'aide d'une paire de pinces, puis déconnectez-les (Figure 27).

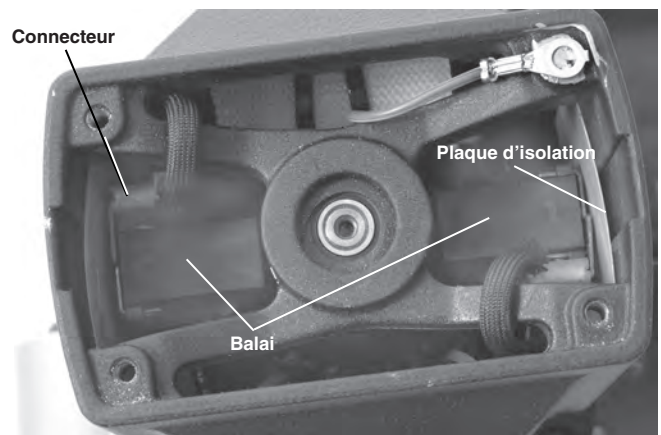


Figure 27 – Position des balais – Couvercle du moteur retiré

4. Examinez le commutateur pour signes d'usure. En cas d'usure excessives, faites réviser l'appareil.
5. Positionnez chaque balai dans son connecteur, puis réinsérez le connecteur dans le carter du moteur. Vérifiez que la plaque d'isolation est correctement positionnée entre le porte-balai et le carter du moteur. Rebranchez le connecteur et remontez le couvercle du moteur.
6. Réassemblez l'appareil et remontez tous ses couvercles avant de l'utiliser.

Dépannage

Anomalie	Cause possible	Remède
La rainure est trop étroite ou trop large.	Galets de rainurage et galet/arbre d'entraînement incorrects. Usure du galet de rainurage et/ou du galet/arbre d'entraînement. Galets de rainurage et galet/arbre d'entraînement dépareillés.	Monter les galets de rainurage et galet/arbre d'entraînement appropriés. Remplacer le galet de rainurage et/ou le galet/arbre d'entraînement. Installer un jeu de galets de rainurage et galet/arbre d'entraînement appareillés.
La rainure n'est pas perpendiculaire à l'axe du tuyau.	Tuyau tordu. Embout de tuyau en faux équerre.	Utiliser un tuyau rectiligne. Couper l'embout du tuyau d'équerre.
Le tuyau ou la rainureuse se déplacent en cours de rainurage.	Tuyau et arbre d'entraînement désaxés. Tuyau non déporté de ½° de l'axe de l'arbre d'entraînement. Déport de ½° insuffisant. Galet d'entraînement encrassé ou usé. Intérieur du tuyau encrassé. Bille de soudage protubérante. Stabilisateur mal utilisé ou incorrectement réglé. Embout de tuyau en faux équerre ou mal débarbé.	Aligner le porte-tubes sur l'axe de l'arbre d'entraînement. Déporter le tuyau de ½° par rapport à l'arbre d'entraînement. Déporter le tuyau un peu plus. Nettoyer ou remplacer le galet d'entraînement. Nettoyer l'intérieur du tuyau. Meuler la bille sur 2" de l'embout. Régler le stabilisateur. Appuyer sur le tuyau (<i>Figure 14</i>). Préparer l'embout du tuyau de manière appropriée.
L'embout du tuyau s'évase.	Tuyau et arbre d'entraînement désalignés. Avancement trop rapide du galet de rainurage. Dureté excessive du tuyau. Stabilisateur trop serré.	Régler le porte-tubes pour réaligner le tuyau. Pomper plus lentement comme indiqué au <i>mode d'emploi</i> . Remplacer le tuyau. Régler le stabilisateur.
Le tuyau oscille sur le galet d'entraînement en cours de rainurage.	Tuyau non rectiligne. Embout du tuyau en faux équerre.	Utiliser un tuyau rectiligne. Couper l'embout du tuyau d'équerre.
Le tuyau bascule d'un côté à l'autre.	Porte-tubes trop près de l'autre extrémité du tuyau. Embout de tuyau aplati ou endommagé. Présence de points/soudages durs. Avancement du galet de rainurage trop lent. Porte-tubes mal positionné. Vitesse de rotation du système d'entraînement en excès de 57 t/min.	Rapprocher le porte-tubes selon les consignes de préparation. Recouper l'embout du tuyau endommagé. Remplacer le tuyau. Faire avancer le galet de rainurage plus rapidement. Repositionnez le porte-tubes. Limiter la vitesse de rotation à 57 t/min.
La rainureuse refuse de rainurer le tuyau.	Parois du tuyau trop épaisses. Tuyau trop dur. Ecrou de réglage mal réglé. Jeu de galets inadapté.	Se reporter au tableau de capacités. Remplacer le tuyau. Régler la profondeur. Monter le jeu de galets approprié.
La rainureuse refuse d'atteindre la profondeur de rainure voulue.	Diamètre maximum de tuyau excédé. Ecrou de profondeur mal réglé. Tuyau d'une dureté excessive.	Utiliser un tuyau de diamètre approprié. Régler l'écrou de profondeur. Changer de tuyau.

Dépannage (suite)

Anomalie	Cause possible	Remède
Le tuyau dérape sur le galet d'entraînement.	Avancement du galet de rainurage trop lent. Moletage du galet d'entraînement encrassé ou usé.	Faire avancer le galet de rainurage plus rapidement. Nettoyer ou remplacer le galet d'entraînement.
Le tuyau se relève ou a tendance à renverser la rainureuse en arrière.	Mauvais emplacement du porte-tubes.	Repositionner le porte-tubes.
La pompe ne fournit pas d'huile, sa bielle n'avance pas.	Clapet de purge ouvert. Niveau d'huile insuffisant. Corps de pompe encrassé. Joints usés ou déboîtés. Trop d'huile dans le réservoir.	Fermer le clapet de purge. Vérifier le niveau d'huile. Faire réviser la pompe. Faire réviser la pompe. Vérifier le niveau d'huile.
Il y a du mou dans le levier de pompe.	Air capté dans le système. Trop d'huile dans le réservoir.	Purger le système hydraulique Vérifier le niveau d'huile.
La bielle n'avance que partiellement.	Manque d'huile hydraulique. Mauvais réglage de profondeur.	Remplir et purger le système. Se reporter aux consignes de réglage de profondeur.
La rainureuse ne fonctionne pas.	Usure excessive des balais moteur.	Remplacer les balais.

Révisions et réparations

⚠ AVERTISSEMENT

La révision ou réparation inappropriée de cet appareil risque de rendre son utilisation dangereuse.

La rubrique *Entretien* devrait couvrir la majorité des besoins de l'appareil. Tout problème qui ne serait pas adressé dans cette rubrique devra être confié à un réparateur RIDGID agréé. N'utiliser que des éléments ou pièces de rechange RIDGID.

Consultez la section *Coordonnées RIDGID* du présent manuel pour les coordonnées du réparateur RIDGID le plus proche et pour réponse à d'éventuelles questions visant la révision ou réparation de ces produits.

Accessoires

⚠ AVERTISSEMENT

La révision ou réparation inappropriée de cet appareil risque de rendre son utilisation dangereuse.

Référence catalogue	Description
48405	Jeu de galets SCH 10 Ø 8 à 12" (SCH 40 Ø 8") avec coffret
48407	Jeu de galets SCH 10 et 40 Ø 1¼ à 1½" avec coffret
48412	Jeu de galets SCH 10 ET 40 Ø 1" et Ø 1¼ à 1½" avec coffret
48417	Jeu de galets pour cuivre Ø 2 à 6"
59992	Stabilisateur Ø 2½ à 12"
76822	Ruban en pouces

76827	Ruban métrique
49662	Boîte à outils
51432	Galet d'entraînement Ø 2 à 6"
49217	Galet de rainurage Ø 2 à 6"
54317	Clé fermée
64192	Chariot 918-I ASM
64187	Chariot 918-1 rabaisé

Consultez le catalogue Ridge Tool en ligne à RIDGID.com ou la section *Coordonnées RIDGID* pour obtenir la liste complète des accessoires disponibles pour ces appareils.

Recyclage

Certains composants de la rainureuse à galets 918-I contiennent des matières précieuses susceptibles d'être recyclées. Des sociétés de recyclage spécialisées peuvent parfois se trouver localement. Recyclez ce type de matériel selon la réglementation en vigueur. Consultez les services de recyclage de votre localité pour de plus amples renseignements.



A l'attention des pays de la CE : Ne jamais jeter de matériel électrique dans les ordures ménagères !

Selon la Directive européenne 2012/19/EU visant le recyclage du matériel électrique et électronique, ainsi que sa mise en application par les législatures nationales, tout matériel électrique qui n'est plus utilisable doit être récolté séparément et recyclé de manière écologiquement responsable.

Tableau I – Epaisseur des parois de tuyau

NOTA : Toutes indications en pouces

Diamètre	Tuyau ou tube en acier ou aluminium			Tuyau ou tube en acier inoxydable			Tuyau en PVC		
	SCH	Epaisseur de paroi		SCH	Epaisseur de paroi		SCH	Epaisseur de paroi	
		Mini	Maxi		Mini	Maxi		Mini	Maxi
1	5, 10, 40	0,065	0,133	5, 10	0,065	0,109	40	0,133	0,133
1 ^{1/4}	5, 10, 40	0,065	0,140	5, 10, 40	0,065	0,140	40	0,140	0,140
1 ^{1/2}	5, 10, 40	0,065	0,145	5, 10, 40	0,065	0,145	40, 80	0,145	0,200
2	5, 10, 40	0,065	0,154	5, 10, 40	0,065	0,154	40, 80	0,154	0,218
2 ^{1/2}	5, 10, 40	0,083	0,203	5, 10	0,083	0,188	40, 80	0,203	0,276
3	5, 10, 40	0,083	0,216	5, 10	0,083	0,188	40, 80	0,216	0,300
3 ^{1/2}	5, 10, 40	0,083	0,226	5, 10	0,083	0,188	40	0,226	0,226
4	5, 10, 40	0,083	0,237	5, 10	0,083	0,188	40	0,237	0,237
5	5, 10, 40	0,109	0,258	5, 10	0,109	0,188	40	0,258	0,258
6	5, 10, 40	0,109	0,280	5, 10	0,109	0,188	40	0,280	0,280
8	5, 10, 40*	0,109	0,322	5, 10	0,109	0,148	40	0,322	0,322
10	5, 10	0,134	0,165	5, 10	0,134	0,165	—	—	—
12	5, 10	0,165	0,180	5, 10	0,165	0,180	—	—	—

*Ne pas utiliser pour le rainurage des tuyaux acier SCH 40 Ø 8" d'une dureté supérieure à 150 BHN.

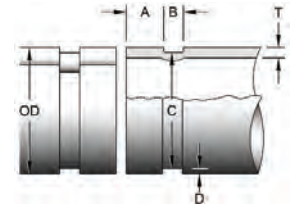


Tableau II – Spécifications de rainurage normalisée⁽¹⁾

NOTA : Toutes indications en pouces

Ø tuyau nominal	Ø tuyau		T Ep. paroi mini	A Fond de joint +.015/- .030	B Largeur de rainure +.030/- .015	C Ø en fond de rainure		D Prof. Nominale de rainure ⁽²⁾
	Ø ext.	Tol.				Ø ext.	Tol.	
1	1,315	+ ,013 - ,013	0,065	0,625	0,281	1,190	+ ,000 - ,015	0,063
1 1/4	1,660	+ ,016 - ,016	0,065	0,625	0,281	1,535	+ ,000 - ,015	0,063
1 1/2	1,900	+ ,019 - ,019	0,065	0,625	0,281	1,535	+ ,000 - ,015	0,063
2	2,375	+ ,024 - ,016	0,065	0,625	0,344	2,250	+ ,000 - ,015	0,063
2 1/2	2,875	+ ,029 - ,016	0,083	0,625	0,344	2,720	+ ,000 - ,015	0,078
3	3,50	+ ,035 - ,031	0,083	0,625	0,344	3,344	+ ,000 - ,015	0,078
3 1/2	4,00	+ ,040 - ,031	0,083	0,625	0,344	3,834	+ ,000 - ,020	0,083
4	4,50	+ ,045 ,031	0,083	0,625	0,344	4,334	+ ,000 - ,015	0,083
5	5,563	+ ,056 ,031	0,109	0,625	0,344	5,395	+ ,000 - ,015	0,084
6	6,625	+ ,063 - ,031	0,109	0,625	0,344	6,455	+ ,000 - ,015	0,085
8	8,625	+ ,063 - ,031	0,109	0,750	0,469	8,441	+ ,000 - ,020	0,092
10	10,75	+ ,063 - ,031	0,134	0,750	0,469	10,562	+ ,000 - ,025	0,094
12	12,75	+ ,063 - ,031	0,156	0,750	0,469	12,531	+ ,000 - ,025	0,110

(1) Selon la norme AWWA C606-15

(2) Les profondeurs de rainure nominales indiquées ne sont données qu'à titre indicatif. N'utilisez pas ces indications pour déterminer la conformité d'un rainurage.
NOTA : Suivez les consignes du fabricant des raccords en ce qui concerne le maximum d'évasement permis.

Tableau III – Spécifications des galets de rainurage pour cuivre⁽¹⁾

NOTA : Toutes indications en pouces

Ø nominal en pouces	Tubing Outside Diameter O.D.		A Joint d'étanchéité A ±0.03	B Largeur de rainure +.03 / -.000	C Ø en fond de rainure +.000 / -.020	D Profondeur nominale du rainurage ⁽²⁾	T Ep. de paroi mini ⁽³⁾	Ø d'évasement maxi
	Base	Tolérance						
2	2,125	±0,002	0,610	0,300	2,029	0,048	DWV	2,174
2 1/2	2,625	±0,002	0,610	0,300	2,525	0,050	0,065	2,674
3	3,125	±0,002	0,610	0,300	3,025	0,050	DWV	3,174
4	4,125	±0,002	0,610	0,300	4,019	0,053	DWV	4,174
5	5,125	±0,002	0,610	0,300	5,019	0,053	DWV	5,174
6	6,125	±0,002	0,610	0,300	5,999	0,063	DWV	6,174

(1) Tuyaux en cuivre selon les normes ASTM B88 et ASTM B306

(2) Les profondeurs de rainure nominales indiquées ne sont données qu'à titre indicatif. N'utilisez pas ces indications pour déterminer la conformité d'un rainurage.

(3) Epaisseurs de paroi pour tuyaux d'évacuation, d'assainissement et de ventilation selon DWV – ASTM B306.

Ranuradora a rodillos

Ranuradora a rodillos 918-I



ADVERTENCIA!

Antes de utilizar este aparato, lea detenidamente este Manual del Operario. Pueden ocurrir descargas eléctricas, incendios y/o graves lesiones si no se entienden y siguen las instrucciones de este manual.

Ranuradora a rodillos 918-I

Apunte aquí y guarde el Número de Serie del producto; se encuentra en su placa de características.

N.º de serie

Índice de materias

Simbología de seguridad	47
Reglas de seguridad general de las máquinas eléctricas*	
Seguridad en la zona de trabajo	47
Seguridad eléctrica	48
Seguridad personal	48
Uso y cuidado de las máquinas eléctricas	48
Servicio	49
Información de seguridad específica	49
Instrucciones de seguridad de la ranuradora a rodillos.....	49
Información de contacto RIDGID®	50
Descripción	50
Especificaciones	51
Equipo estándar	51
Montaje	
Montaje de la ranuradora a rodillos.....	52
Inspección previa a la operación	53
Instalación y operación	54
Operación	55
Preparación del tubo	56
Avance y retracción del rodillo ranurador	56
Colocación del tubo en la ranuradora a rodillos	56
Selección y ajuste del diámetro de la ranura	57
Operación del estabilizador.....	58
Operación de ranurado	58
Consejos para ranurar correctamente.....	59
Inspección y medición de la ranura.....	60
Preparación de la ranuradora para su transporte.....	60
Almacenamiento.....	60
Instrucciones de mantenimiento	61
Limpieza.....	61
Lubricación.....	61
Nivel del líquido hidráulico.....	61
Extracción e instalación de juegos de rodillos.....	61
Reemplazo de escobillas de carbón	64
Resolución de problemas.....	64
Servicio y reparaciones.....	66
Equipo opcional	66
Eliminación	66
Tabla I. Espesor de la pared del tubo	66
Tabla II. Especificaciones estándar del ranurado a rodillos⁽¹⁾	67
Tabla III. Especificaciones para ranurar tubos de cobre	67
Declaración de la CE	Interior de la carátula posterior
Garantía de por vida	Carátula posterior

*Traducción del manual original en inglés

Simbología de seguridad

En este manual del operario y en el producto mismo encontrará símbolos de seguridad y palabras de advertencia que comunican importante información de seguridad. Para su mejor comprensión, en esta sección se describe el significado de estas palabras y símbolos de advertencia.



Este es el símbolo de una alerta de seguridad. Sirve para prevenir al operario de las lesiones corporales que podría sufrir. Obedezca todas las instrucciones de seguridad que acompañan a este símbolo para evitar posibles lesiones o muerte.



Este símbolo de PELIGRO advierte de una situación de peligro que, si no se evita, produciría la muerte o lesiones graves.



Este símbolo de ADVERTENCIA avisa de una situación de peligro que, si no se evita, podría producir la muerte o lesiones graves.



Este símbolo de CUIDADO advierte de una situación de peligro que, si no se evita, podría producir lesiones leves o moderadas.



Un AVISO indica información relacionada con la protección de un bien o propiedad.



Este símbolo significa que es necesario leer detenidamente su manual del operario antes de usar el equipo. El manual del operario contiene información importante acerca del funcionamiento apropiado y seguro del equipo.



Este símbolo indica que cuando utilice este equipo siempre debe usar gafas o anteojos de seguridad con viseras laterales, con el fin de reducir el riesgo de lesiones a los ojos.



Este símbolo indica que la máquina podría volcarse, con riesgo de causar lesiones por golpes o aplastamiento.



Este símbolo indica que existe el riesgo de que los dedos o las manos se aplasten entre los rodillos de ranurado, o entre los rodillos y el tubo.



Este símbolo indica que el tubo a ranurar debe tener una longitud de por lo menos 8 pulgadas (20 cm) para reducir el riesgo de lesiones.



Este símbolo indica que no debe meter las manos dentro del tubo a ranurar, para reducir el riesgo de enmarañamiento.



Este símbolo indica que hay riesgo de descargas eléctricas.



Este símbolo indica que siempre debe usar un interruptor de pie cuando utilice la máquina, para reducir el riesgo de lesiones.



Este símbolo indica que no debe desconectar el interruptor de pie, para reducir el riesgo de lesiones.



Este símbolo indica que no debe bloquear el interruptor de pie (no debe trabarlo en posición de ENCENDIDO), para reducir el riesgo de lesiones.



Este símbolo indica que hay riesgo de que las manos, dedos, piernas, ropa y otros objetos podrían quedar enganchados o enrollados en los ejes en rotación, causando lesiones por aplastamiento o golpes.



Este símbolo indica que hay riesgo de que las manos, dedos, ropa y otros objetos podrían quedar enganchados sobre o entre piezas en rotación, causando lesiones por aplastamiento.

Reglas de seguridad general de las máquinas eléctricas*

⚠ ADVERTENCIA

Lea todas las advertencias de seguridad, instrucciones, ilustraciones y especificaciones que se incluyen con esta máquina eléctrica. Si no se respetan todas las instrucciones que siguen, podrían producirse descargas eléctricas, incendios y/o lesiones graves.

¡GUARDE TODAS LAS ADVERTENCIAS E INSTRUCCIONES PARA SU POSTERIOR CONSULTA!

El término "máquina eléctrica" en las advertencias se refiere a máquinas enchufadas en un tomacorriente

(máquinas con cordón) o a máquinas que funcionan con baterías (máquinas sin cordón).

Seguridad en la zona de trabajo

- **Mantenga su zona de trabajo limpia y bien iluminada.** Los lugares desordenados u oscuros pueden provocar accidentes.
- **No haga funcionar las máquinas eléctricas en ambientes explosivos, es decir, en presencia de líquidos, gases o polvo inflamables.** Las máquinas eléctricas pueden generar chispas que podrían encender los gases o el polvo.
- **Mientras haga funcionar una máquina eléctrica, mantenga alejados a los niños y espectadores.**

* El texto utilizado en la sección sobre advertencias de seguridad general para máquinas eléctricas se ha copiado textualmente de la correspondiente norma UL/CSA/EN 62841-1. Esta sección contiene indicaciones de seguridad general para diversos tipos de máquinas eléctricas. No todas las precauciones corresponden a cada aparato, y algunas no corresponden a esta herramienta.

Cualquier distracción podría hacerle perder el control del aparato.

Seguridad eléctrica

- **El enchufe del aparato eléctrico debe corresponder al tomacorriente. Jamás modifique el enchufe del aparato. No utilice un enchufe adaptador cuando haga funcionar un aparato eléctrico provisto de conexión a tierra.** Los enchufes intactos y tomacorrientes que les corresponden reducen el riesgo de choques de electricidad.
- **Evite el contacto de su cuerpo con artefactos conectados a tierra tales como cañerías, radiadores, estufas o cocinas, y refrigeradores.** Aumenta el riesgo de choques de electricidad si su cuerpo ofrece conducción a tierra.
- **No exponga los aparatos eléctricos a la lluvia ni permita que se mojen.** Cuando a un aparato eléctrico le entra agua, aumenta el riesgo de choques de electricidad.
- **No maltrate el cordón eléctrico del aparato. Nunca transporte el aparato tomándolo de su cordón eléctrico ni jale del cordón para desenchufarlo del tomacorriente. Mantenga el cordón alejado del calor, aceite, bordes cortantes o piezas móviles.** Un cordón enredado o en mal estado aumenta el riesgo de choques de electricidad.
- **Al hacer funcionar un aparato eléctrico a la intemperie, emplee un cordón de extensión fabricado para uso exterior.** Los alargadores diseñados para su empleo al aire libre reducen el riesgo de choques de electricidad.
- **Si resulta inevitable el empleo de una máquina eléctrica en un sitio húmedo, enchúfela en un tomacorriente GFCI (dotado de un Interruptor del Circuito de Pérdida a Tierra).** El interruptor GFCI reduce el riesgo de choques de electricidad.

Seguridad personal

- **Manténgase alerta, preste atención a lo que está haciendo y use el sentido común cuando haga funcionar una máquina eléctrica. No use ninguna máquina eléctrica si usted está cansado o se encuentra bajo la influencia de drogas, alcohol o medicamentos.** Tan solo un breve descuido durante el funcionamiento de una máquina eléctrica puede resultar en lesiones graves.
- **Use equipo de protección personal. Siempre use protección para los ojos.** Según corresponda para cada situación, colóquese equipo de protección como mascarilla para el polvo, calzado de seguridad antides-

lizante, casco o protección para los oídos, con el fin de reducir las lesiones personales.

- **Evite echar a andar un aparato sin querer. Asegure que el interruptor esté en la posición de APAGADO antes de enchufar el aparato a la corriente eléctrica o de conectarlo a sus baterías, de tomarlo o acarrearlo.** Se producen accidentes cuando se transportan máquinas eléctricas con el dedo puesto sobre su interruptor, o se las enchufa o conecta a la fuente de corriente con el interruptor en la posición de ENCENDIDO.
- **Extraiga cualquier llave de ajuste que esté acoplada a la máquina eléctrica antes de encenderla.** Una llave acoplada a una parte giratoria de la máquina eléctrica puede producir lesiones personales.
- **No trate de extender el cuerpo para alcanzar algo. Tenga los pies bien plantados y mantenga el equilibrio en todo momento.** Esto permite un mejor control de la máquina eléctrica en situaciones inesperadas.
- **Vístase adecuadamente. No lleve ropa suelta ni joyas. Mantenga su cabello, ropa y guantes apartados de las piezas en movimiento.** La ropa suelta, las joyas o el pelo largo pueden engancharse en las piezas móviles.
- **Si se proveen dispositivos para la extracción y recolección del polvo cuando se usa el aparato, conéctelos y empléelos correctamente.** La recolección de tierra o polvo reduce el riesgo de problemas generados por el polvo.
- **No deje que su familiaridad con las herramientas le haga abandonar los principios de seguridad de las máquinas.** Un descuido puede causar una lesión grave en menos de un segundo.

Uso y cuidado de las máquinas eléctricas

- **No fuerce los aparatos eléctricos. Use el equipo correcto para la tarea que está por realizar.** Con la máquina eléctrica adecuada se hará mejor el trabajo y en forma más segura en la clasificación nominal para la cual fue diseñada.
- **Si el interruptor del aparato no lo enciende o no lo apaga, no utilice el aparato.** Cualquier máquina eléctrica que no se pueda controlar mediante su interruptor es un peligro y debe repararse.
- **Antes de hacer ajustes, cambiar accesorios o de almacenar el aparato, desenchúfelo y/o extráigale las baterías, si es posible.** Estas medidas de seguridad preventiva reducen el riesgo de poner la máquina eléctrica en marcha involuntariamente.
- **Almacene las máquinas eléctricas que no estén en uso fuera del alcance de los niños y no permita**

que las hagan funcionar personas que no estén familiarizadas con este aparato o no hayan leído estas instrucciones de operación. Las máquinas eléctricas son peligrosas en manos de personas no capacitadas.

- Haga la **mantención necesaria de las máquinas eléctricas. Revise el equipo para verificar que las piezas móviles no estén mal alineadas o agarrotadas. Verifique que no tenga partes rotas ni presente alguna otra condición que podría afectar su funcionamiento. Si un aparato está dañado, hágalo reparar antes de utilizarlo.** Muchos accidentes se deben a máquinas eléctricas que no han recibido un mantenimiento adecuado.
- **Mantenga las hojas y filos de corte afilados y limpios.** Las herramientas para cortar provistas de filos afilados son menos propensas a trabarse y son más fáciles de controlar.
- **Utilice la máquina eléctrica, accesorios y barrenas, etc., únicamente conforme a estas instrucciones, tomando en cuenta las condiciones de trabajo y la tarea que debe realizar.** El uso de la máquina eléctrica para trabajos diferentes a los que le corresponden podría producir una situación peligrosa.
- **Mantenga los mangos y superficies de agarre secos, limpios y exentos de grasa y aceite.** Si están resbalosos los mangos y superficies de agarre, no podrá trabajar con seguridad ni controlar la máquina en situaciones inesperadas.

Servicio

- **Encomiende el servicio de la máquina eléctrica únicamente a técnicos calificados que usen repuestos idénticos a las piezas originales.** Así se garantiza la continua seguridad de la máquina eléctrica.

Información de seguridad específica

⚠ ADVERTENCIA

Esta sección contiene información de seguridad importante que es específica para esta herramienta. Antes de utilizar la ranuradora a rodillos 918-I, lea estas instrucciones detenidamente para reducir el riesgo de choque de electricidad o de otras lesiones graves.

¡GUARDE TODAS LAS ADVERTENCIAS E INSTRUCCIONES PARA SU POSTERIOR CONSULTA!

Mantenga este manual junto con la máquina, para que lo use el operario.

Instrucciones de seguridad de la ranuradora a rodillos

- **Mantenga las manos alejadas de los rodillos ranuradores.** No use guantes sueltos. Los dedos pueden quedar aplastados entre los rodillos ranuradores, entre un rodillo y el tubo o entre el tubo y la rueda estabilizadora.
- **Mantenga las manos alejadas de los extremos del tubo. No meta las manos dentro del tubo. No toque la ranura durante el funcionamiento.** Se podría enganchar y cortar en una rebaba o borde filoso. Se le pueden aplastar los dedos entre los rodillos ranuradores o entre un rodillo ranurador y el tubo.
- **Mantenga las cubiertas protectoras en su sitio. No haga funcionar la ranuradora si se le ha sacado la cubierta.** Si los rodillos ranuradores quedan expuestos pueden provocar enganches y lesiones graves.
- **Solamente ranure tubos que tengan una longitud de 8 pulgadas (20 cm) o más.** Si intenta ranurar un tubo más corto que lo especificado, puede enmarañarse y sufrir lesiones por aplastamiento.
- **No use ropa suelta cuando haga funcionar la máquina. Mantenga abrochadas las mangas y chaquetas. No estire el cuerpo por encima de la máquina o el tubo.** La ropa podría quedar enganchada en la máquina o el tubo y producir un enmarañamiento.
- **No use esta máquina si no tiene un interruptor de pie o si el interruptor de pie está averiado. Nunca debe bloquear el interruptor de pie en posición de ENCENDIDO de manera que no controle la máquina.** Un interruptor de pie mejora el control porque le permite apagar el motor de la máquina al retirar el pie del interruptor. Si se produce un enmarañamiento y el motor sigue andando, el operario será jalado hacia la máquina. Esta máquina tiene un elevado par de torsión y puede hacer que la ropa se le tuerza alrededor de un brazo u otra parte de cuerpo, con fuerza suficiente para aplastar o fracturar los huesos o causar lesiones por golpes o lesiones de otro tipo.
- **Asegure la estabilidad de la ranuradora a rodillos, el tubo y los soportes.** Asegure que la ranuradora a rodillos esté correctamente instalada y fija. Así ayuda a prevenir el volcamiento del equipo y el tubo. Apoye el tubo correctamente, para que no se vuelquen el tubo y el equipo.
- **Prepare y manipule el tubo correctamente.** Se podría enganchar y cortar si el tubo tiene rebabas y bordes filosos.
- **Una sola persona debe controlar la tarea, el funcionamiento de la máquina y el interruptor de pie.**

Cuando la máquina esté en marcha, solamente el operario debe estar en la zona de trabajo. Esto ayuda a reducir el riesgo de lesiones.

- **Limite el acceso o coloque barricadas en la zona de trabajo si la pieza trabajada sobresale más allá de la máquina, permitiendo un radio despejado de por lo menos un metro (3 pies) alrededor de la pieza trabajada.** Una barrera o barricada que deja un espacio libre alrededor de la pieza trabajada reduce el riesgo de enmarañamientos.
 - **Cuando instale y use la ranuradora a rodillos, siempre debe llevar puesto el equipo de protección personal apropiado.** El equipo de protección personal apropiado siempre incluye protección para los ojos y podría incluir guantes de cuero apretados y calzado con puntera de acero.
 - **Use la ranuradora a rodillos solamente para ranurar tubos del tamaño y tipo recomendado de acuerdo con estas instrucciones.** Si la ranuradora a rodillos se usa o se modifica para otras aplicaciones, podría aumentar el riesgo de lesiones.
 - **Antes de hacer funcionar la ranuradora a rodillos, lea y entienda los siguientes materiales:**
 - Este manual del operario.
 - Las instrucciones de instalación del fabricante de los acoplamientos.
 - Las instrucciones para cualquier otro material o equipo usados con este aparato.
- Si no se respetan todas las instrucciones y advertencias, podrían producirse daños a la propiedad y/o lesiones graves.

Información de contacto RIDGID

Si tiene alguna pregunta acerca de este producto RIDGID®:

- Comuníquese con el distribuidor RIDGID® en su localidad.
- Visite RIDGID.com para averiguar dónde se encuentra su contacto RIDGID más cercano.
- Comuníquese con el Departamento de Servicio Técnico de Ridge Tool en ProToolsTechService@Emerson.com, o llame por teléfono desde EE. UU. o Canadá al 844-789-8665.

Descripción

La ranuradora a rodillos 918-I de RIDGID® está diseñada para formar ranuras en tubos de acero, acero inoxidable, aluminio, PVC y cobre. Las ranuras se forman a medida que la fuerza hidráulica va metiendo el rodillo en la superficie del tubo; el tubo está apoyado contra el rodillo de tracción.

La ranuradora a rodillos 918-I típicamente incluye dos juegos de rodillos ranuradores y dos juegos de rodillos de tracción para ranurar los siguientes tubos:

- Tubos de acero de cédula 10 y cédula 40, de 2" a 6"
- Tubos de acero de cédula 10 y de 8" a 12", y tubos de acero de cédula 40 y de 8"

En las tablas del apéndice se indican otros materiales que se pueden ranurar. Se exigen otros juegos de ranuradoras y ejes de mando para tubos de otros tamaños y para tubos de cobre.

Se usa una bomba hidráulica de mano de dos etapas para ir introduciendo el rodillo ranurador en la superficie del tubo para labrar la ranura. Se incluye una tuerca de ajuste para controlar el diámetro de la ranura.

Se proporciona un estabilizador ajustable para ayudar a mantener el correcto recorrido y para controlar el tubo cuando se esté ranurando, especialmente cuando la longitud del tubo se acerque al mínimo de 8 pulgadas.

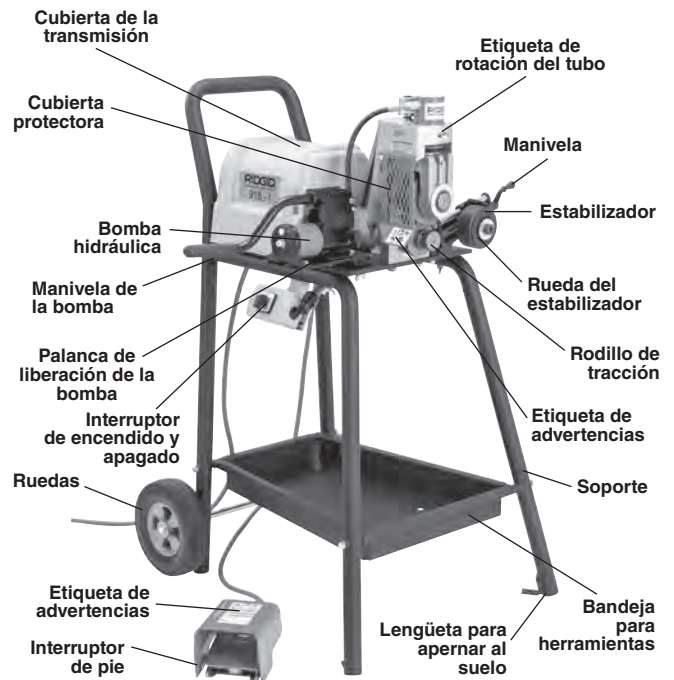


Figura 1 A – Ranuradora a rodillos 918-I

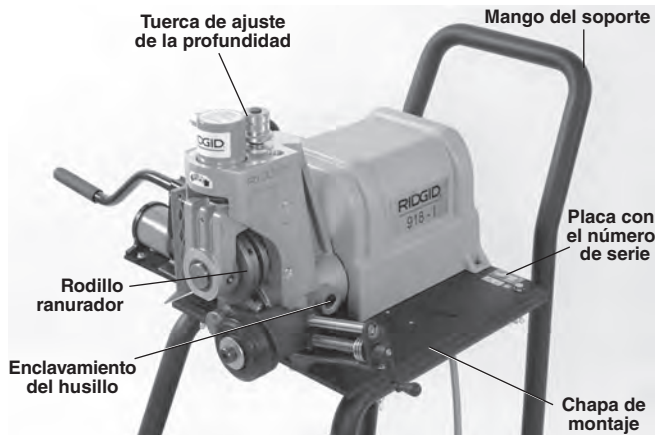


Figura 1 B – Ranuradora a rodillos 918-I

Especificaciones

- Material**
del tubo Acero, acero inoxidable, aluminio, cobre y PVC
- Capacidad**
Juegos de rodillos ranuradores estándar Tubos de acero de cédula 10 y 40, de 2" a 6"
- Juegos de rodillos ranuradores opcionales Tubos de acero de cédula 10 y de 8" a 12"; de cédula 40# y de 8"
- Tubos de acero de cédula 10 y 40, de 1 1/4" a 1 1/2"
- Tubos de acero de cédula 10 y 40, de 1 1/4" a 1 1/2"
- Tubos de cobre de 2" a 6" (tipo K, L, M y DWV)
- Consulte en las Tablas I, II y III otros materiales y espesores de pared.*
- Ajuste de profundidad** Tuerca de ajuste de profundidad
- Accionamiento**... Bomba hidráulica manual de dos etapas
- Estabilizador**..... De ajuste manual, para tubos de 2 1/2" a 12"
- Motor**
Tipo Universal
- | | | |
|------------------------|------|---------|
| Voltaje (V)..... | 120 | 220-240 |
| Frecuencia (Hz) .50/60 | | 50/60 |
| Corriente (A)..... | 12,0 | 6,0 |
| Potencia (W)..... | 1400 | 1400 |
- Controles**..... Interruptor de perilla de encendido y apagado (ON/OFF) e interruptor de pie de encendido y apagado (ON/OFF)

- Soporte..... Soporte 918-I Soporte bajo 918-I
- Altura del soporte** 34" (865 mm) 27,4" (696 mm)
- Peso (con el soporte)** .. 185 libras (84 kg)
- Dimensiones, con la bomba en posición de trabajo:**
Con el soporte (ancho x profundidad x altura) 39 x 35 x 51,3 pulg. (990 x 889 x 1303 mm)
- Con el soporte bajo (ancho x profundidad x altura) 39 x 35 x 44,3 pulg. (990 x 889 x 1125 mm)

Presión de sonido (L_{PA})* 92,9 dB(A), K=3

Potencia de sonido (L_{WA})* 105,7 dB(A), K=3

* Las determinaciones de sonido se miden según una prueba estandarizada conforme a la Norma EN 62481-1.
- Las emisiones de sonido pueden variar según dónde se ubique el usuario y el uso específico de estos aparatos.
- La exposición diaria al sonido se debe evaluar para cada aplicación y se deben tomar las correspondientes medidas de seguridad cuando sea necesario. La evaluación de los niveles de exposición debe tomar en cuenta el tiempo durante el cual está apagada la herramienta y el tiempo en que no se usa. Esto puede reducir el nivel de exposición significativamente durante todo el transcurso del período de trabajo.
No usar para ranurar tubos de acero de cédula 40 y 8 pulgadas que tengan una dureza superior a 150 BHN. Esto podría producir ranuras mal formadas y que no cumplan con las especificaciones.

Equipo estándar

Consulte el catálogo RIDGID para conseguir detalles sobre los accesorios suministrados con número de catálogo específico.

La placa con el número de serie de la ranuradora a rodillos 918-I está ubicada en la chapa de montaje. Los últimos cuatro dígitos indican el mes (MM) y el año (YY) de fabricación.

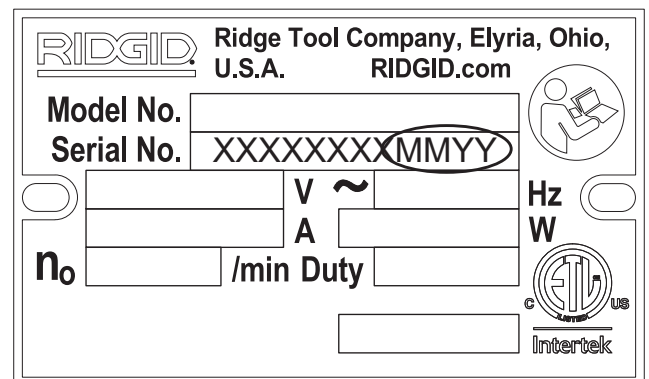


Figura 3 – Número de serie de la máquina

AVISO Cuando la ranuradora a rodillos modelo 918-I se usa correctamente, está diseñada para labrar ranuras en tubos de 1 pulgada a 12 pulgadas y producir ranuras cuyas dimensiones se ajustan a las especificaciones de AWWA C606-15. Si este equipo no se usa correctamente, puede labrar ranuras que no se ajustan a las especificaciones y dañar el tubo y el equipo.

La selección apropiada de los materiales y de los métodos de unión es responsabilidad del diseñador del sistema y/o del instalador. Antes de intentar una instalación, es necesario completar una cuidadosa evaluación del medio ambiente de servicio, incluyendo el entorno químico y la temperatura de servicio. Si no es apropiada la selección de los materiales y métodos, el sistema podría fallar.

El acero inoxidable y otros materiales resistentes a la corrosión se pueden contaminar durante la instalación, unión y conformado. Dicha contaminación podría causar corrosión y una falla prematura. Antes de intentar alguna instalación, es necesario completar una cuidadosa evaluación de los materiales y métodos para las condiciones de servicio específicas, incluyendo la naturaleza química y la temperatura.

Montaje

⚠ ADVERTENCIA

Siga los procedimientos a continuación para el montaje correcto, con el fin de reducir el riesgo de lesiones graves durante el uso.

Use técnicas correctas para levantar objetos. La ranuradora a rodillos 918-I con su soporte tiene un peso de 185 libras (84 kg).

Montaje de la ranuradora a rodillo

1. Conecte la pata derecha y la pata izquierda al conjunto de mango y soporte trasero. Fíjelas con a rodillo hexagonales de $\frac{3}{8}$ " – 16 x 2 $\frac{1}{2}$ " y arandelas de seguridad. No apriete los tornillos.
2. Conecte el conjunto de bandeja de herramientas a las patas traseras y delanteras, usando los cuatro tornillos hexagonales de $\frac{3}{8}$ " – 16 x 2 $\frac{1}{2}$ " y arandelas de seguridad. No apriete los tornillos.
3. Introduzca el eje en las lengüetas que sobresalen del conjunto de mango y soporte trasero. Fíjelo con cuatro anillos de retención. *Vea la Figura 4.*

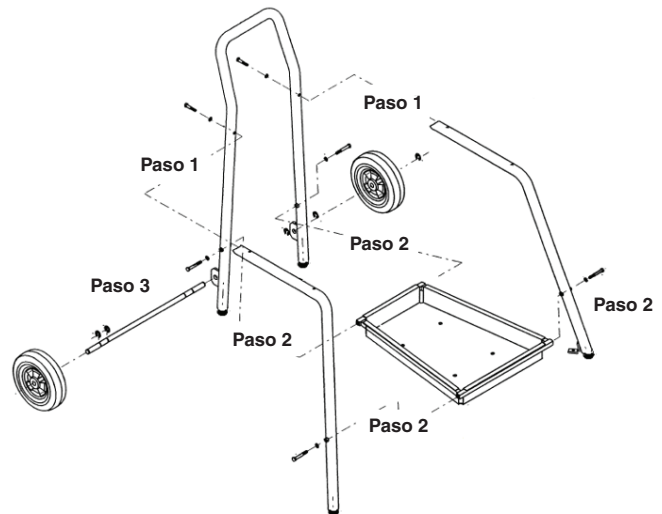


Figura 4 – Montaje del soporte

4. Monte el conjunto de ranuradora y chapa de montaje sobre el soporte, usando cuatro tornillos hexagonales de $\frac{3}{8}$ " – 16 x 2 $\frac{1}{2}$ ", arandelas y tuercas mariposa (Figura 5). Cuidadosamente coloque la caja del interruptor debajo del riel del soporte. Es posible que tenga que desplazar las patas del soporte para alinear la chapa de montaje.

Los tornillos de cabeza hexagonal se colocan arriba y las tuercas mariposa y las arandelas se colocan en la parte de abajo del soporte. Para colocar el último tornillo de cabeza hexagonal, es necesario abrir la cubierta de la transmisión.

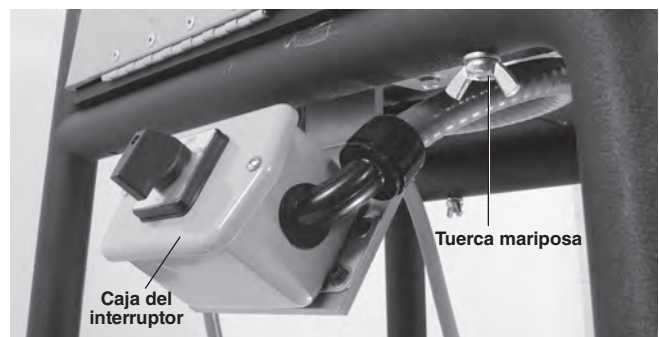


Figure 5 – Montaje de la ranuradora a rodillos sobre el soporte

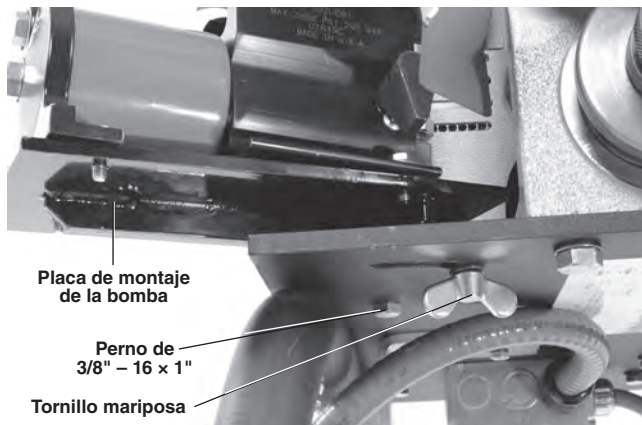


Figura 6 – Montaje de la bomba hidráulica

5. Apriete bien todos los sujetadores. Deslice las ruedas sobre el eje e instale los anillos de retención que mantienen las ruedas sobre el eje.
6. Corte las amarras que sujetan la bomba hidráulica al embalaje de envío. Extraiga los pernos y tuercas mariposa de debajo de la placa de montaje de la bomba.
7. Coloque la placa de montaje de la bomba sobre el agujero y la ranura del lado del interruptor de la máquina 918-I. Desde debajo de la chapa de montaje, introduzca el perno de $\frac{3}{8}$ " – 16 x 1" y su arandela dentro del agujero y atorníllelo a la placa de montaje de la bomba (Figura 6).
8. Desde debajo de la chapa de montaje, introduzca el tornillo mariposa y su arandela de seguridad dentro de la placa de montaje de la bomba, a través de la ranura, y luego apriete bien.

Durante el funcionamiento de la máquina 918-I, la bomba hidráulica debe estar en la posición más hacia afuera. Cuando se transporta la máquina, la bomba hidráulica debe moverse hacia adentro con la manivela elevada, para reducir el ancho. *Vea la Figura 7.*

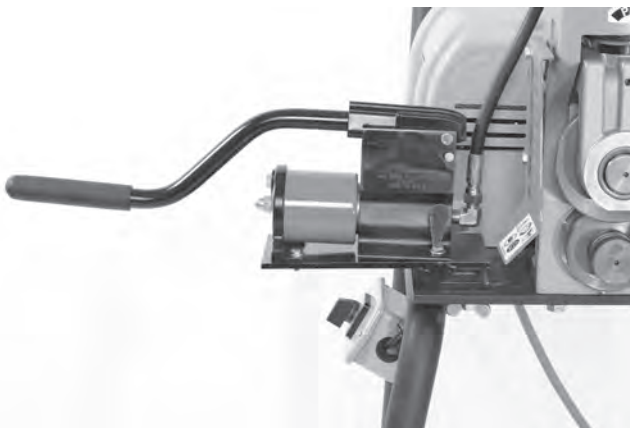


Figura 7 A – La bomba en posición de trabajo



Figura 7 B – La bomba en posición de transporte [elevada]

Inspección previa a la operación

⚠ ADVERTENCIA



Antes de cada uso, revise la ranuradora a rodillos y corrija cualquier problema existente con el fin de reducir el riesgo de lesiones graves por choque eléctrico, aplastamiento u otras causas, y para impedir que se dañe la ranuradora.

1. Asegure que la máquina esté desenchufada y el interruptor de perilla colocado en posición OFF.
2. Limpie la ranuradora a rodillos para quitarle el aceite, grasa o suciedad, incluyendo la manivela de la bomba y la manivela del estabilizador. Esto facilita la inspección y ayuda a prevenir que la ranuradora o el control se le resbalen de las manos.
3. Inspeccione la ranuradora a rodillos para verificar lo siguiente:
 - Está correctamente ensamblada, completa y bien mantenida.
 - Los cordones y enchufes no están dañados o modificados.
 - No tiene partes rotas, desgastadas, faltantes, mal alineadas o agarrotadas.
 - No tiene fugas de líquido hidráulico. Si la ranuradora está manchada con aceite, podría haber una fuga de líquido hidráulico.
 - La cubierta protectora está presente y en buenas condiciones (*vea la Figura 1*). No haga funcionar la ranuradora a rodillos si no tiene colocada la cubierta protectora.

- El interruptor de pie está presente y funciona bien. Verifique que el interruptor de pie está conectado, en buenas condiciones y no se traba al presionarlo y soltarlo.
- Las etiquetas de advertencias están presentes y se pueden leer. *Vea la Figura 1 y la Figura 8.*
- El rodillo ranurador y el rodillo de tracción están en buenas condiciones. Si la superficie moleteada del rodillo de tracción está sucia, límpiela con una escobilla de alambre. La suciedad y el desgaste de la superficie moleteada pueden hacer que el tubo se resbale y cause problemas con el recorrido del ranurado.
- La rueda del estabilizador está en buenas condiciones. Reemplace la rueda si fuera necesario.
- La bomba hidráulica está en la posición correcta. Durante el funcionamiento, la bomba debe estar en la posición de más afuera.
- No existen condiciones que impedirían el funcionamiento normal y seguro.
- Si encuentra algún problema, no use la ranuradora a rodillos hasta que se hayan reparado los problemas.

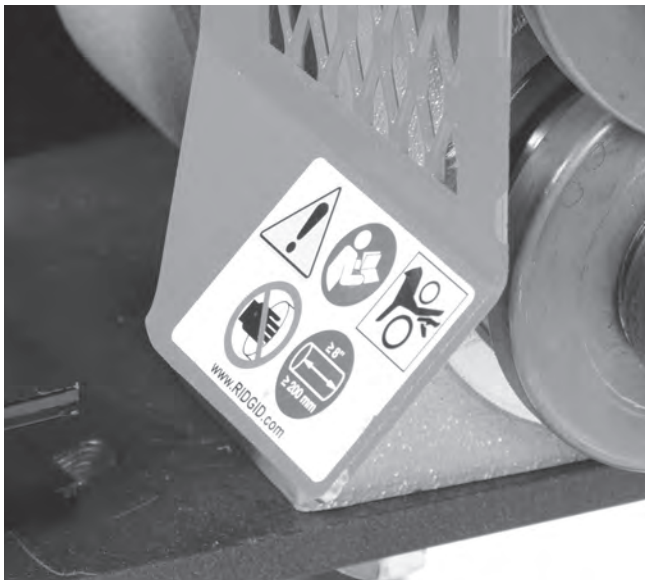


Figura 8 – Etiqueta de advertencias

4. Inspeccione todos los demás equipos utilizados y haga la mantención necesaria, conforme a sus instrucciones específicas, para asegurar que funcionen correctamente.

Instalación y operación

⚠ ADVERTENCIA



Instale la ranuradora a rodillos y la zona de trabajo de acuerdo con estos procedimientos, para reducir el riesgo de lesiones por choque eléctrico, volcamiento de la máquina, aplastamiento y otras causas, y para evitar que la máquina se dañe.

1. Seleccione una zona de trabajo con las siguientes características:
 - Hay buena iluminación.
 - No hay líquidos, vapores o polvo inflamables. Si están presentes, no trabaje en el lugar hasta que haya identificado, eliminado o corregido el problema y asegure que la zona se haya ventilado completamente.
 - Hay un lugar despejado, limpio, nivelado, estable y seco para todos los equipos y el operario. Si hay aceite presente, límpielo.
 - Hay un tomacorriente correctamente conectado a tierra y del voltaje correcto. Revise la placa de número de serie de la máquina para ver cuál es el voltaje exigido. Un tomacorriente GFCI o para enchufe de tres patas podría no tener conexión a tierra. Si tiene alguna duda, pida a un electricista calificado que revise el tomacorriente.
2. Inspeccione el tubo que va a ranurar y determine cuál es la herramienta correcta para la tarea. *Vea la sección Especificaciones.* Puede encontrar equipo de ranurado para otras aplicaciones en el catálogo de RIDGID en línea en RIDGID.com. Esta ranuradora debe usarse solamente para tubos rectos. No ranure tubos que tengan protuberancias o acoplamientos como codos o conexiones en T. Esto aumenta el riesgo de enmarañamiento.
3. Confirme que todos los equipos que usará se han inspeccionado y montado correctamente. Confirme que en la ranuradora se ha instalado el juego de rodillos ranuradores que corresponde para la aplicación.

AVISO El uso de juegos de rodillos (rodillo ranurador y rodillo de tracción) para tubos de acero al carbón y tubos de acero inoxidable puede contaminar el material de acero inoxidable. Esta contaminación podría causar corrosión y la falla prematura del tubo. Para prevenir la contaminación ferrosa del acero inoxidable, use juegos de rodillos especialmente dedicados a los tubos de acero inoxidable. Otra alternativa es usar una escobilla de alambre de acero

inoxidable para limpiar a fondo el juego de rodillos cuando cambia de un material a otro.

4. Instale la ranuradora 918-I en la zona de trabajo. Confirme que el interruptor de encendido y apagado esté en la posición OFF.
5. La ranuradora 918-I se puede apernar al suelo para aumentar la estabilidad. *Vea la Figura 1.*
6. Coloque el interruptor de pie en la posición correcta para su funcionamiento, como se muestra en la *Figura 16.*
7. Confirme que la bomba hidráulica esté en su posición de trabajo.
8. Estando el interruptor ON/OFF en posición de apagado (OFF), coloque el cordón a lo largo de una senda despejada hacia el tomacorriente. Con las manos secas, enchufe el cordón en un tomacorriente con conexión a tierra. Mantenga todas las conexiones secas y levantadas del suelo. Si el cordón de electricidad no tiene el largo suficiente, use un cordón de extensión con las siguientes características:
 - Está en buenas condiciones.
 - Tiene un enchufe de tres patas, igual al enchufe de la ranuradora.
 - Tiene la clasificación para usar al aire libre; en la designación del cordón aparece una W o W-A (por ejemplo, SOW).
 - Los alambres tienen el diámetro suficiente. Para cordones de extensión de hasta 50 pies (15,2 m), los alambres deben ser de 16 AWG (1,5 mm²) o más gruesos. Para cordones de extensión de 50 a 100 pies (15,2 m a 30,5 m), deben ser de 14 AWG (2,5 mm²) o más gruesos.
9. Revise la máquina para asegurar su buen funcionamiento. Con las manos apartadas de las piezas en movimiento, haga lo siguiente:
 - Coloque el interruptor de encendido y apagado en la posición ON (encendido). Presione y suelte el interruptor de pie. Verifique que el rodillo ranurador gire hacia la derecha, igual a lo que indica la calcomanía de rotación del tubo en la ranuradora. *Vea la Figura 12.* Entregue la máquina a servicio si gira en dirección equivocada o si el interruptor de pie no controla el encendido y apagado.
 - Presione el interruptor de pie y manténgalo presionado. Revise las piezas en movimiento para asegurar que no estén mal alineadas, agarrotadas, emitan ruidos raros o muestren alguna otra condición que podría afectar el funcionamiento normal y seguro de la máquina. Si encuentra alguna condición anormal, entregue la ranuradora a servicio.

- Suelte el interruptor de pie.

10. Coloque el interruptor de perilla en posición de apagado (OFF). Con las manos secas, desenchufe la máquina.

Operación

⚠ ADVERTENCIA



Mantenga las manos alejadas de los rodillos ranuradores. No use guantes sueltos. Los dedos pueden quedar aplastados entre los rodillos ranuradores, entre un rodillo y el tubo o entre el tubo y la rueda del estabilizador.

Mantenga las manos alejadas de los extremos del tubo. No meta las manos dentro del tubo. No toque la ranura durante el funcionamiento. Se podría enganchar y cortar en una rebaba o borde filoso. Se le pueden aplastar los dedos entre los rodillos ranuradores o entre un rodillo ranurador y el tubo.

Mantenga las cubiertas protectoras en su sitio. No haga funcionar la ranuradora si se le ha sacado la cubierta. Si los rodillos ranuradores quedan expuestos pueden provocar enganches y lesiones graves.

Solamente ranure tubos que tengan una longitud de 8 pulgadas (20 cm) o más. Si intenta ranurar un tubo más corto que lo especificado, puede enmarañarse y sufrir lesiones por aplastamiento.

No use esta ranuradora a rodillos sin un interruptor de pie. Nunca debe bloquear el interruptor de pie en posición de ENCENDIDO de manera que no controle la máquina. Un interruptor de pie mejora el control al permitirle apagar el motor de la máquina cuando retira el pie del interruptor. Si se produce un enmarañamiento y el motor sigue andando, el operario será jalado hacia la máquina. Esta máquina tiene un elevado par de torsión y puede hacer que la ropa se le tuerza alrededor de un brazo u otra parte de cuerpo, con fuerza suficiente para aplastar o fracturar los huesos o causar lesiones por golpes o lesiones de otro tipo.

Asegure la estabilidad de la ranuradora a rodillos, el tubo y los soportes. Asegure que la ranuradora a rodillos esté correctamente instalada y fija. Esto ayuda a evitar el volcamiento del equipo y el tubo. **Apoye el tubo correctamente** Así ayuda a prevenir el volcamiento del equipo y el tubo.

Siempre use protección para los ojos. Use calzado con puntera de acero para protegerse contra tubos que se caen o aparatos que se vuelcan.

Instale y haga funcionar la ranuradora a rodillos de acuerdo con estos procedimientos, para reducir el riesgo de lesiones debidas a volcamiento de la máquina, enmarañamiento, aplastamiento, golpes y otras causas, y para impedir que se dañe el equipo.

Confirme que la máquina y la zona de trabajo estén bien montadas y que no hay espectadores ni otras distracciones en la zona de trabajo. Cuando la máquina está funcionando, el operario debe ser la única persona en la zona de trabajo.

Preparación del tubo

AVISO Estas son instrucciones generales. Siempre siga las recomendaciones específicas del fabricante del acoplamiento ranurado para la preparación del extremo del tubo. Si no sigue estas recomendaciones, podría producirse una conexión mal hecha y causar fugas.

1. Conozca las especificaciones de los tubos que se pueden ranurar. Un tubo que no cumple con las especificaciones puede causar fugas y otros problemas. El ovalamiento del tubo no debe exceder la tolerancia total de diámetro exterior listado en las *Especificaciones estándar del ranurado a rodillos, Tabla II*.
2. Corte el tubo para obtener la longitud deseada. Conozca cuál es la longitud mínima para ranurar el tubo.
 - Los tubos de un diámetro de 5 pulgadas o menos no deben tener una longitud inferior a 8 pulgadas (20 cm).
 - Los tubos de un diámetro de 6 a 12 pulgadas no deben tener una longitud inferior a 10 pulgadas (25 cm).

Si ranura un tubo demasiado corto, aumenta el riesgo de lesiones por enmarañamiento y de aplastarse los dedos.

3. Asegure que el extremo del tubo esté cortado en ángulo recto y no tenga rebabas. Las rebabas pueden enganchar o cortar los guantes o los dedos durante el ranurado. El método de cortar el extremo y la presencia de rebabas grandes pueden afectar la calidad de la ranura labrada y dificultar la trayectoria del ranurado. No intente ranurar un tubo que ha sido cortado con un soplete.
4. Quite del interior y exterior del tubo las gotas de soldadura, depósitos, costuras, incrustaciones, suciedad, óxido y otros contaminantes en las 2 pulgadas finales, o más, del extremo del tubo. No corte partes planas en la zona donde se asienta la junta obturadora, ya que podría causar fugas. Los contaminantes podrían atascar el moleteado del rodillo de tracción y alterar la rotación del tubo y el recorrido de la ranura en el tubo durante el ranurado.

Avance y retracción del rodillo ranurador

La bomba hidráulica controla el movimiento del rodillo ranurador.

- Para avanzar el rodillo ranurador, coloque la manivela de la bomba en la posición de avance y luego mueva la manivela de la bomba hacia arriba y hacia abajo.
- Para retraer el rodillo ranurador, coloque la manivela de la bomba en la posición de retracción. *Vea la Figura 9.*

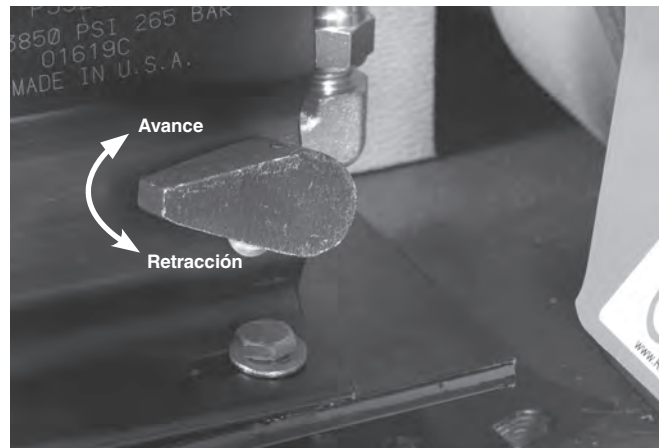


Figura 9 – Posición de la manivela de liberación de la bomba

Colocación del tubo en la ranuradora a rodillos

1. Confirme que el interruptor de perilla esté en posición de apagado (OFF).
2. Retraiga el rodillo ranurador completamente.
3. Debe contar con soportatubos apropiados para apoyar el tubo. Ajuste la altura de los soportatubos para que el tubo esté nivelado y el diámetro interno del borde superior del tubo esté asentado sobre la parte superior del rodillo de tracción (*vea la Figura 10*).

Coloque los soportatubos directamente al frente de la ranuradora a rodillos. El lugar donde se coloca cada soporte depende de la longitud del tubo.

Para tubos cortos (*vea la Tabla A*), use por lo menos un soportatubo y el eje de mando para apoyar el tubo. En este caso, el soportatubo debe colocarse a una distancia ligeramente superior a la mitad del largo del tubo con respecto a la ranuradora a rodillos.

Tabla A – Largo mínimo y máximo (en pulgadas) del tubo a ranurar, apoyado en un solo soportatubos

Diám. nominal	Largo mínimo	Largo máximo	Diám nominal	Largo mínimo	Largo máximo
1	8	36	4	8	36
1¼	8	36	4 ½	8	32
1½	8	36	5	8	32
2	8	36	6 D.E.	10	30
2½	8	36	6	10	28
3	8	36	8	10	24
3½	8	36	10	10	24
4	8	36	12	10	24

Para tubos más largos use por lo menos dos soportes, y coloque cada soporte a una distancia del extremo igual a ¼ del largo del tubo. Si no apoya el tubo correctamente,

el tubo o el tubo junto con la máquina se pueden volcar y caer. Siempre use un soportatubos. Así ayuda a alinear el tubo y a mantener el correcto recorrido del ranurado.

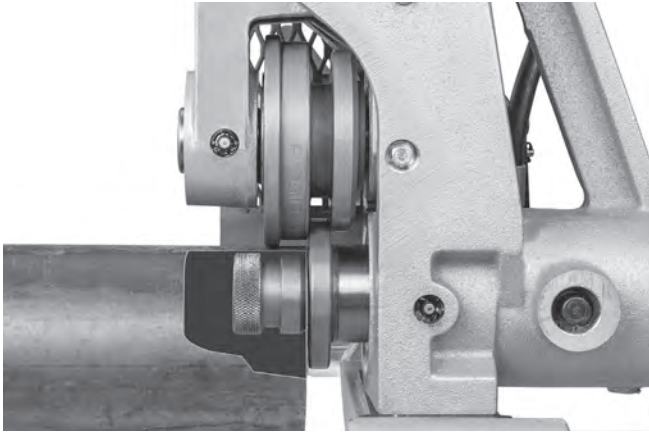


Figura 10 – Colocación del tubo sobre el eje de mando y al ras con la brida del eje de mando. (Se ha quitado el estabilizador para mejorar la claridad de la imagen.)

- Coloque el tubo sobre los soportes. El extremo del tubo debe estar al ras con la brida del eje de mando. El interior del tubo debe estar en contacto con la parte superior del eje de mando (Figura 10). Asegure que el tubo esté bien apoyado y estable.



Figura 11 – Nivelación del tubo

- Haga avanzar el rodillo ranurador hasta que toque el tubo y lo agarre suavemente. No permita que el rodillo ranurador penetre en el tubo.
- Confirme que el tubo esté en la posición correcta. Si el tubo está mal colocado, es posible que la ranura no siga el trayecto debido.
 - El extremo del tubo debe estar al ras contra la brida del eje de mando.
 - La recta central del tubo y la recta central del eje de mando deben estar en paralelo. Esto se puede verificar con un nivel colocado sobre el cilindro hidráulico y sobre el tubo. Vea la Figura 11.
 - La ranuradora a rodillos y la máquina deben estar bien asentadas en el suelo. Si la máquina se está levantando del suelo, indica que los soportatubos

están mal colocados y es necesario ajustar su posición.

- Coloque el tubo y los soportatubos ligeramente descentrados, desviados en aproximadamente $\frac{1}{2}$ grado (como 1 pulgada a 10 pies de distancia desde la ranuradora a rodillos) hacia el operario. Si el tubo y la ranuradora a rodillos están bien alineados, se asegura el correcto recorrido sobre el tubo durante el ranurado (vea la Figura 12). Este es el descentrado apropiado cuando se ranura, y funciona con el estabilizador.

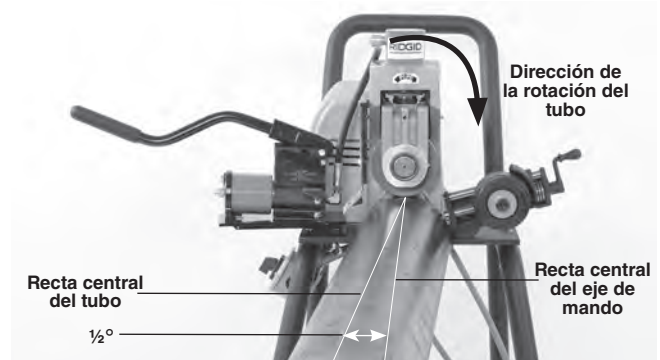


Figura 12 – Desviación del tubo en $\frac{1}{2}^\circ$ (exagerado en la imagen)

- Limite el acceso o coloque barricadas en la zona de trabajo, permitiendo un radio despejado de por lo menos un metro (3 pies) alrededor del equipo y el tubo. Esto ayuda a evitar que personas ajenas entren en contacto con el equipo o el tubo y reduce el riesgo de volcamiento o enmarañamiento.
- Con las manos secas, enchufe la ranuradora en un tomacorriente con conexión a tierra.

Selección y ajuste del diámetro de la ranura

AVISO Como todos los tubos tienen características diferentes, siempre debe labrar una ranura de prueba antes de iniciar el trabajo del día o cuando cambie a otro tubo de distinto diámetro, cédula, material o lote. Así reduce el riesgo de labrar ranuras que están fuera de los límites de tolerancia. Es necesario medir el diámetro de la ranura para confirmar que tiene el tamaño correcto.

- Confirme que el equipo esté correctamente instalado y que el tubo esté correctamente preparado y colocado. Si la instalación y preparación no son las apropiadas, puede cambiar la exactitud de los ajustes de diámetro de la ranura.
- El rodillo ranurador debe agarrar el tubo ligeramente. Si fuera necesario, haga avanzar el rodillo ranurador para que apenas toque el tubo y lo agarre suave-

mente. No debe marcar la superficie del tubo. No aplique demasiada presión.

- Haga girar la tuerca de ajuste de profundidad hasta que se detenga contra la carcasa de la ranuradora.
- Haga girar la tuerca al revés en una sola vuelta (Figura 13).



Figura 13 – Ajuste de la tuerca para fijar la profundidad

- Labre una ranura de prueba.
- Inspeccione y mida la ranura de prueba. Si el diámetro en la ranura no cumple con las especificaciones, cambie la posición de la tuerca para ajustar la profundidad, hasta conseguir una ranura del diámetro correcto. *Vea la Figura 13.*
 - Para aumentar el diámetro en la ranura, reduciendo su profundidad, gire la tuerca de ajuste de la profundidad hacia la derecha.
 - Para reducir el diámetro en la ranura, aumentando su profundidad, gire la tuerca de ajuste de la profundidad hacia la izquierda.
 - Cada cuarto de vuelta de la tuerca de ajuste de la profundidad cambia el diámetro de la ranura en aproximadamente 0,025" (0,6 mm). Cuando la tuerca pasa a la siguiente marca en la circunferencia, el diámetro de la ranura cambia en aproximadamente 0,002" (0,05 mm).
- Repita los pasos 4 a 6 hasta que el diámetro en la ranura cumpla con las especificaciones. Si la ranura es demasiado grande, puede ajustar la ranuradora para obtener una ranura de menor tamaño. Si la ranura es demasiado pequeña, tendrá que labrar otra ranura. Es importante que el diámetro en la ranura sea el correcto, para asegurar el desempeño de la conexión. Las ranuras que no cumplen con las especificaciones pueden hacer fallar la conexión.

Operación del estabilizador

El estabilizador se usa para aplicar una fuerza leve a los tubos de 2½ pulgadas a 12 pulgadas, para mejorar el correcto recorrido del ranurado. Es especialmente útil para tubos cortos pero se puede usar con tubos de cualquier largo. El estabilizador también reduce el bamboleo de los tubos más largos y de mayor diámetro.

- Instale el equipo correctamente y coloque el tubo.
- Fije el diámetro de la ranura.
- Haga rotar la manivela del estabilizador para que el rodillo se ponga en contacto con el tubo. Dele otra vuelta completa a la manivela, para cargar el rodillo contra el tubo (Figura 14). No estire el cuerpo sobre el tubo para ajustar el estabilizador.
- Ranure el tubo. Durante la operación, aleje las manos de los rodillos ranuradores, la rueda del estabilizador y el extremo del tubo. No ranure tubos que tengan un largo inferior a las especificaciones. No meta la mano dentro del tubo ni toque la ranura, para reducir el riesgo de lesiones por aplastamiento.

Durante el ranurado, si no se sigue el correcto trayecto, quite el pie del interruptor de pie y suspenda la operación. Prepare el equipo para una nueva ranura y haga girar la manivela media vuelta más, para aumentar la carga contra el tubo. No aumente la carga demasiado, ya que se podría dañar el rodillo.

Una vez que se fije el estabilizador para un tubo de cierto material y tamaño, generalmente no es necesario volver a ajustarlo ni retirarlo cuando se coloca y se extrae un tubo.

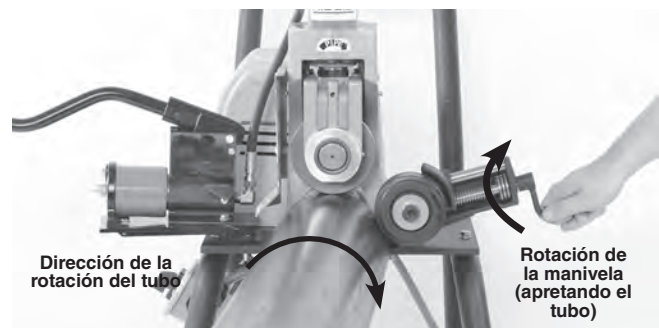


Figura 14 – Desvío del tubo en ½ grado (exagerado en la imagen)

Operación de ranurado

- Confirme que el equipo está correctamente instalado y que el tubo está bien preparado y colocado. No ranure tubos que tengan un largo inferior a 8 pulgadas.
- Fije el diámetro en la ranura.

3. Si fuera necesario, fije la posición del estabilizador.
4. Adopte la posición de trabajo correcta, para ayudar a mantener el control de la máquina y el tubo. *Vea la Figura 15.*
 - El operario debe estar parado mirando hacia la ranuradora a rodillos por el lado del interruptor de perilla, con fácil acceso al interruptor ON/OFF, la manivela de la bomba, y el tubo. La mano izquierda agarra la manivela de la bomba. La mano derecha está apartada del tubo, excepto si está aplicando una fuerza leve al tubo para mantener el recorrido correcto (*vea la sección Consejos para ranurar correctamente*).
 - Asegure que pueda controlar el interruptor de pie. Todavía no pise el interruptor de pie. En caso de emergencia, es esencial que pueda soltar el interruptor de pie.
 - Tenga los pies bien plantados y mantenga el equilibrio, y asegure que no tenga que estirar el cuerpo para alcanzar algo.



Figura 15 – Posición de trabajo correcta

5. Coloque el interruptor de perilla en la posición de encendido (ON).
6. Haga girar la manivela de la bomba en aproximadamente un cuarto de vuelta, para forzar el rodillo ranurador hacia el tubo.
7. Presione el interruptor de pie. El tubo empezará a girar. Permita una rotación completa del tubo a la vez que gira la manivela de la bomba en un cuarto de círculo. No haga avanzar el rodillo ranurador en forma demasiado enérgica ya que puede hacer que el tubo se desplace en espiral fuera del juego de rodillos y se formen ranuras defectuosas. Mantenga las manos alejadas del juego de rodillos, el extremo del tubo y la rueda del estabilizador. No meta las manos dentro del tubo ni toque la ranura.

Vigile el tubo a medida que se va ranurando. El extremo del tubo debe mantenerse en contacto con la brida del eje de mando y el tubo debe mantener su posición. Si el tubo comienza a salirse de su posición, quite el pie del interruptor de pie y suspenda el ranurado. Mantenga el cuerpo apartado por si el tubo se suelta del juego de rodillos. Si el tubo empieza a salirse de su posición, suspenda la operación de ranurado y revise la instalación. Si se ha dañado el extremo del tubo, tendrá que preparar una nueva ranura.

Siga rotando la manivela de la bomba en un cuarto de vuelta por cada rotación completa del tubo.

Cuando use el juego de rodillos de 1 pulgada, es particularmente importante no aplicar fuerza excesiva (mala selección del diámetro ranurado, ranuras demasiado pequeñas, una vuelta de más de un cuarto de la manivela de la bomba por cada rotación). Esto puede dañar el rodillo de 1 pulgada.

8. Cuando la tuerca de ajuste de la profundidad se ponga en contacto con el borde superior de la ranuradora, deje que el tubo haga por lo menos dos rotaciones completas más para asegurar una profundidad uniforme de la ranura.
9. Quite el pie del interruptor de pie.
10. Coloque el interruptor de perilla en posición de apagado (OFF).
11. Retraiga el rodillo ranurador y extraiga el tubo de la ranuradora a rodillos.
12. Inspeccione y mida la ranura.

Consejos para ranurar correctamente

Un problema típico durante el ranurado a rodillos es el movimiento en espiral del tubo o su alejamiento del eje de mando, o problemas con la trayectoria correcta de la ranura.

Para que el ranurado siga el trayecto correcto, es importante respetar todas las instrucciones. Si el tubo sigue con problemas para mantener el trayecto del ranurado a pesar de cumplir todas las instrucciones, el operario puede usar otras opciones para mejorar el trayecto.

- Aumente levemente el ángulo de descentrado del tubo, de medio grado a 1 grado. *Vea la Figura 12.*
- Dele otra media vuelta a la manivela del estabilizador, para apretar un poco más.
- Es posible que el operario tenga que aplicar una fuerza leve sobre el tubo mientras está ranurando, para que siga el trayecto correcto. Por lo general, esto es necesario solamente para tubos más cortos que no usan el estabilizador. Para ejercer esta fuerza, el operario debe usar un guante de cuero en buenas condiciones

y encerrar el tubo con la mano, como se muestra en la *Figura 16*, para que pueda acercar el tubo levemente hacia su persona. Esto puede exigir que el soporte de la ranuradora esté fijado al suelo para que no se mueva durante el ranurado. Para reducir el riesgo de lesiones por cortes o aplastamiento, la mano debe mantenerse alejada del rodillo ranurador y los extremos del tubo; no ranure tubos más cortos que el límite recomendado y no meta la mano en el tubo ni toque la ranura.



Figura 16 – Aplicación de presión sobre el tubo

Inspección y medición de la ranura

1. Inspeccione la ranura.
 - Asegure que estén presentes todas las características, bien formadas. *Vea la Tabla II y la Figura 17.*
 - Mida el diámetro de la ranura para verificar que cumple con las especificaciones.
 - Revise las demás características que exige el fabricante del acoplamiento.
 - Pruebe el sistema de acuerdo con los códigos locales y las prácticas normales.

Si encuentra algún problema, no se puede usar la ranura. Es importante conseguir un diámetro correcto en la ranura para asegurar el desempeño de la conexión. Una ranura que no cumple con las especificaciones podría causar una falla en la junta.

2. Mida el diámetro en la ranura con una cinta de diámetros (vea la sección *Equipo opcional*). Con la cinta en la ranura, ajústela bien para que rodee la circun-

ferencia. La cinta debe estar asentada y aplanada contra el fondo de la ranura. Lea el diámetro en la ranura (*Figura 17*). Compare el diámetro medido con el diámetro exigido para la ranura como se muestra en la Tabla II o III o según las especificaciones del fabricante del acoplamiento que se colocará en la ranura.



Figura 17 – Medición del diámetro en la ranura con la cinta de diámetros

Preparación de la ranuradora para el transporte

1. Asegure que el interruptor de perilla esté en posición OFF y que el cordón de la máquina esté desenchufado del tomacorriente.
2. Limpie la máquina. Extraiga o fije los equipos y materiales adicionales de la máquina y el soporte antes del traslado, para que nada pueda caerse ni volcarse.
3. Afloje la tuerca mariposa de la bomba hidráulica. Desplace la bomba hacia el interior de la máquina y vuelva a apretar la tuerca mariposa. *Vea la Figura 7.*
4. Enrolle el cordón de la ranuradora y el cordón del interruptor de pie.
5. Tenga cuidado al levantar y trasladar la máquina. Esté consciente del peso de la ranuradora.

Almacenamiento

⚠ ADVERTENCIA La ranuradora a rodillos 918-I se debe guardar bajo techo o bien tapada si se guarda en un lugar con lluvia. Almacene la máquina en un lugar bajo llave que esté fuera del alcance de los niños y de personas que no estén familiarizadas con las ranuradoras a rodillos. Esta máquina puede causar lesiones graves en manos de personas no capacitadas.

Instrucciones de mantenimiento

⚠ ADVERTENCIA

La ranuradora debe estar desenchufada y el interruptor de perilla en posición OFF antes de hacerle cualquier mantenimiento o ajuste.

Haga el mantenimiento de la ranuradora a rodillos 918-I de acuerdo con estos procedimientos, para reducir el riesgo de lesiones.

Limpieza

Use un paño húmedo y suave para limpiar la ranuradora a rodillos.

Limpie la superficie moleteada del rodillo de tracción con una escobilla de alambre antes de usar la ranuradora y cuando sea necesario durante la operación. Cuando ranure tubos de acero inoxidable, limpie a fondo el juego completo de rodillos con una escobilla de alambre de acero inoxidable.

Lubricación

Una vez al mes o con mayor frecuencia si es necesario, lubrique la ranuradora con grasa basada en litio y de uso general. Siempre lubrique la ranuradora a rodillos después de cambiar el juego de rodillos.

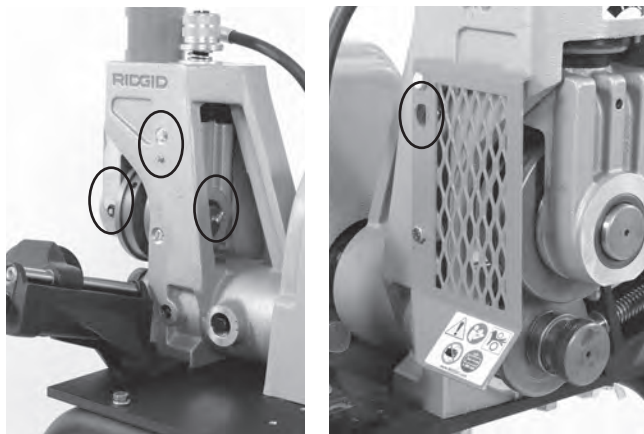


Figura 18 – Puntos de engrase

- Lubrique la ranuradora en los puntos de engrase (vea la Figura 18). Agregue grasa hasta que se rebalse levemente.
- Aplique un aceite lubricante liviano a los puntos de pivote y zonas de movimiento relativo, tales como la tuerca de ajuste de la profundidad y el tornillo de alimentación del estabilizador. Elimine con un paño el exceso de lubricante en las zonas expuestas.

La caja de engranajes de la ranuradora a rodillos está diseñada como sistema sellado y no debería necesitar grasa adicional excepto si se ha producido una fuga im-

portante. En esos casos, la máquina se debe encomendar a un servicentro.

Nivel del líquido hidráulico

Extraiga la tapa del depósito del líquido (Figura 19). El nivel del aceite debe alcanzar la línea de llenado cuando la bomba está asentada sobre su base y el ariete está completamente retraído. Use solamente aceite hidráulico ISO 15.

El aceite hidráulico debe cambiarse una vez al año, o con más frecuencia si la bomba se usa mucho o si se usa donde hay mucha tierra. Para drenar el aceite hidráulico, extraiga la tapa del depósito y vierta el aceite en un recipiente. Elimine el aceite hidráulico correctamente según la Hoja de datos de seguridad (SDS) y los requisitos locales.

Después de cambiar el aceite hidráulico, es posible que tenga que purgar el aire del sistema. Para purgar el sistema hidráulico, vuelque la máquina sobre un costado de manera que el ariete esté debajo de la bomba. Mueva el pistón del cilindro para adelante y atrás varias veces para que el aire salga por el depósito de la bomba.



Figura 19 – Tapa del depósito

Extracción e instalación de juegos de rodillos

AVISO Cuando cambie el juego de rodillos, verifique que las marcas en el rodillo de tracción correspondan a las marcas del rodillo ranurador. Si las partes no corresponden entre sí, se puede labrar una ranura defectuosa y causar fugas. Siempre cambie el juego completo de rodillos, sin mezclar rodillos de distintos juegos.

Cuando haga reemplazos, apoye bien los rodillos y ejes.

Reemplazo del rodillo ranurador:

1. Retraiga el rodillo ranurador completamente.
2. Retraiga la rueda del estabilizador completamente.

3. Afloje el tornillo de montaje del rodillo ranurador (Figura 20). Agarre el rodillo ranurador y extraiga el eje superior y el rodillo de la ranuradora (Figura 21).
4. Después de cambiar el eje de mando/rodillo de tracción, proceda al revés para instalar el aparato. Asegure que las piezas estén limpias, para impedir que se ensucien los cojinetes. Lubrique los cojinetes antes de usar el aparato.



Figura 20 – Afloje el tornillo de montaje del juego de rodillos ranuradores

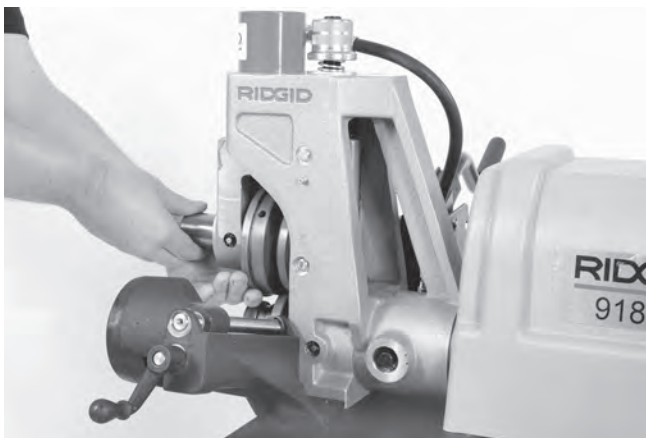


Figura 21 – Extracción del eje de retención y rodillo ranurador

Reemplazo del eje de mando/rodillo de tracción

La ranuradora a rodillos 918-I tiene dos tipos de eje de mando. Hay un eje de mando de una sola pieza que se usa para los diámetros de 2 pulgadas a 6 pulgadas y de 8 pulgadas a 12 pulgadas. Hay una unidad de dos piezas integrada por un eje de mando y rodillo de tracción intercambiable, que se usa para tubos de cobre de 1 pulgada, 1¼ a 1½ pulgada y 2 a 6 pulgadas. Vea la Figura 22.

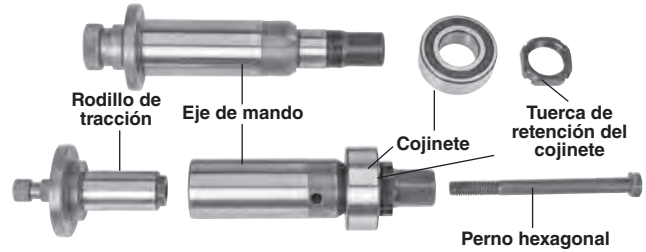


Figura 22 – Eje de mando de una pieza (arriba) y eje de mando de dos piezas (abajo)

Reemplazo del eje de mando

1. Con la llave hexagonal de 3/16", afloje los dos tornillos en la mitad delantera del acoplamiento de la transmisión (Figura 23).

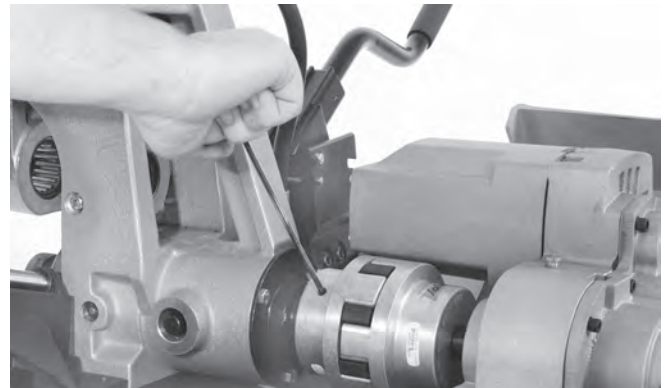


Figura 23 – Afloje los dos tornillos en el acoplamiento de la transmisión

2. Con la llave inglesa, afloje y extraiga la tuerca de retención del eje de mando.

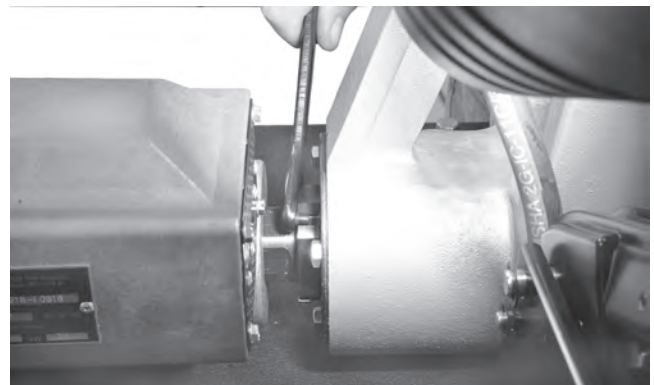


Figura 24 – Afloje y extraiga la tuerca de retención del eje de mando

3. Extraiga el eje de mando de la parte delantera de la ranuradora (Figura 25).
4. Instale un nuevo eje de mando a través del alojamiento de la ranuradora 918-I y de la tuerca de retención del cojinete del eje de mando, con la parte escrita

hacia afuera y alineando la llave hexagonal con la apertura en el acoplamiento. Asegure que las piezas estén limpias, para que no le entre suciedad al cojinete. Lubrique el cojinete antes de usar la máquina.

5. Con la llave inglesa, apriete la tuerca de retención del cojinete del eje de mando.
6. Apriete los tornillos de sujeción en el acoplamiento de la transmisión.
7. Cierre la cubierta de la transmisión y fíjela.

Reemplazo del rodillo de tracción (eje de mando de dos piezas)

1. Extraiga el rodillo ranurador.
2. Levante la cubierta de la transmisión.
3. Con la llave hexagonal de $\frac{3}{16}$ " , afloje los dos tornillos en la parte delantera del acoplamiento de transmisión (Figura 23).
4. Con la llave inglesa, afloje y extraiga la tuerca de retención del eje de mando (Figura 24).
5. Jale el conjunto del eje de mando hacia delante. Quite la tuerca de retención del cojinete del eje de mando y la mitad delantera del acoplamiento. Vuelva a introducir el eje de mando.
6. Use la llave hexagonal de $\frac{15}{16}$ " del conjunto de llaves para aflojar el perno de tracción (Figura 26).
7. Con un mazo blando golpee la cabeza del perno de tracción suavemente para soltar el rodillo de tracción del eje de mando.
8. Desenrosque el perno de tracción para sacarlo del rodillo de tracción y extraiga el rodillo de tracción de la parte delantera de la ranuradora.
9. Instale un nuevo rodillo de tracción, introduzca el perno de tracción y apriételo con los dedos.
10. Haga rotar manualmente el conjunto de eje de mando y rodillo de tracción, aplicando al mismo tiempo presión sobre la clavija de enclavamiento del husillo, hasta que la clavija se encaje en el agujero de enclavamiento del husillo en el eje de mando.
11. Estando encajada la clavija del husillo, use la llave hexagonal de $\frac{15}{16}$ " del conjunto de llaves para apretar el perno de tracción.
12. Deje de presionar la clavija de enclavamiento del husillo, permitiendo su retracción.
13. Jale hacia delante el conjunto del eje de mando. Inserte la mitad delantera del acoplamiento en la mitad trasera. Introduzca el eje de mando a través de

la tuerca de retención del cojinete, alineando la llave hexagonal con la apertura en el acoplamiento.

14. Con la llave inglesa, apriete la tuerca de retención del cojinete del eje de mando.
15. Apriete los tornillos de sujeción en el acoplamiento de la transmisión.
16. Cierre la cubierta de la transmisión.

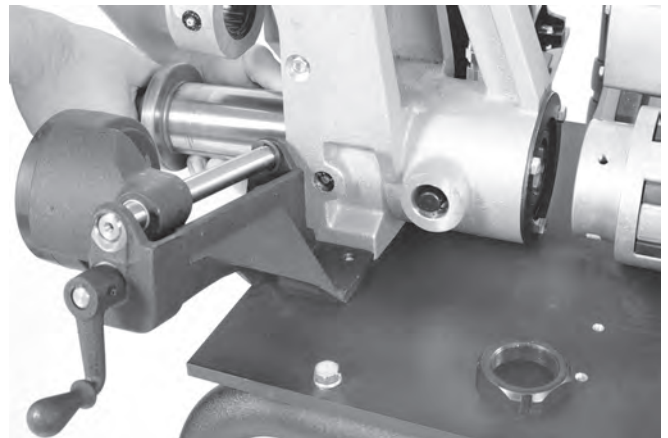


Figura 25 – Extracción del conjunto del eje de mando

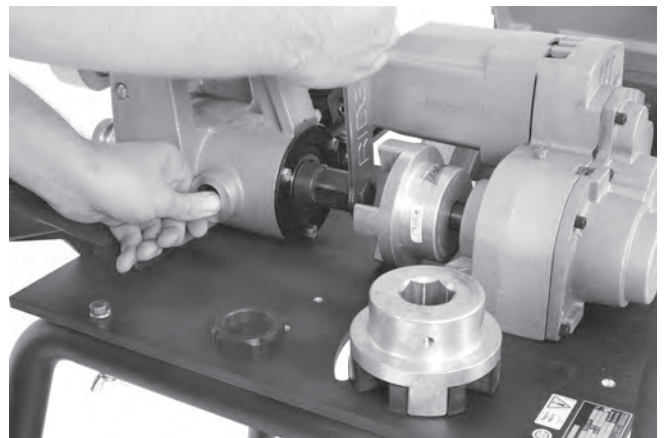


Figura 26 – Extracción del perno de tracción

Cambio de un eje de mando de una sola pieza a un eje de mando de dos piezas

1. Extraiga el eje de mando de una sola pieza.
2. Extraiga la mitad delantera del acoplamiento.
3. Monte el rodillo de tracción correcto sobre el eje de mando (dos piezas), y luego apriete el perno de tracción bien con los dedos.
4. Inserte el conjunto de eje de mando de dos piezas dentro de la ranuradora.
5. Estando encajada la clavija del husillo, use la llave hexagonal de $\frac{15}{16}$ " del conjunto de llaves para apretar el perno de tracción.

6. Deje de presionar la clavija de enclavamiento del husillo, permitiendo su retracción.
7. Jale hacia delante el conjunto del eje de mando. Inserte la mitad delantera del acoplamiento en la mitad trasera. Introduzca el eje de mando a través de la tuerca de retención del cojinete, alineando la llave hexagonal con la apertura en el acoplamiento.
8. Con la llave inglesa, apriete la tuerca de retención del cojinete del eje de mando.
9. Apriete los tornillos de sujeción en el acoplamiento de la transmisión.
10. Cierre la cubierta de la transmisión y trábela.

Reemplazo de escobillas de carbón

Revise las escobillas del motor cada 6 meses. Cuando el desgaste haya reducido su altura a menos de media pulgada, reemplace las escobillas.

1. Levante la cubierta de la transmisión.
2. Extraiga los cuatro tornillos que sujetan la tapa del motor y extraiga la tapa de atrás del motor.
3. Con un par de alicates, jale hacia afuera las escobillas, en línea recta. Desconecte el conector. *Vea la Figura 27.*

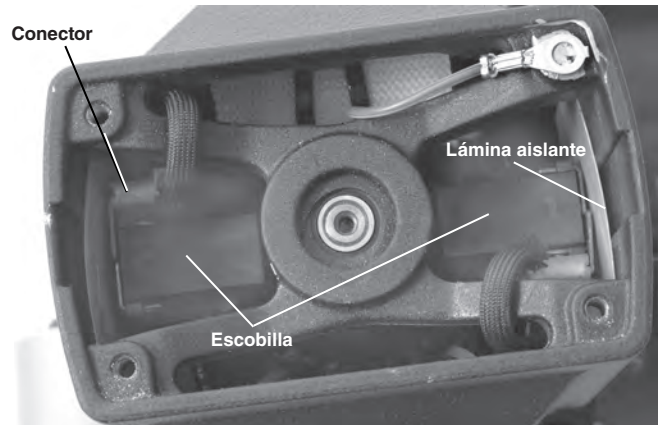


Figura 27 – Colocación de las escobillas – sin la tapa del motor

4. Inspeccione el conmutador para determinar si está desgastado. Si tiene mucho desgaste, entregue la máquina a servicio.
5. Empuje cada escobilla dentro de su receptáculo e introdúzcala en la carcasa del motor. Revise la colocación para asegurar que las láminas aislantes estén correctamente ubicadas entre el receptáculo de escobillas y la carcasa. Conecte el conector y vuelva a colocar la tapa del motor.
6. Vuelva a ensamblar la unidad. Todas las tapas y cubiertas deben estar colocadas antes de hacer funcionar la máquina.

Resolución de problemas

PROBLEMA	POSIBLES RAZONES	SOLUCIÓN
La ranura es demasiado angosta o demasiado ancha.	Rodillo ranurador y eje de mando/rodillo de tracción incorrectos. Desgaste del rodillo ranurador y/o del eje de mando/rodillo de tracción. El rodillo ranurador y el eje de mando/rodillo de tracción no se corresponden entre sí.	Instale el rodillo ranurador y eje de mando/rodillo de tracción correctos. Reemplace el rodillo ranurador y/o el eje de mando/rodillo de tracción. Instale un rodillo ranurador y eje de mando/rodillo de tracción que sean del mismo juego.
La ranura no forma un ángulo recto con el tubo.	El tubo no es recto. El extremo del tubo no está cortado a escuadra.	Use un tubo recto. Corte el extremo del tubo a escuadra.
El tubo no mantiene la trayectoria de la ranura. La ranuradora no mantiene el recorrido sobre el tubo durante la operación.	El tubo y el eje de mando no están paralelos. El eje central del tubo no está descentrado en medio grado con respecto al eje de mando. El descentrado de medio grado no es suficiente. El eje de mando/rodillo de tracción tienen la superficie moleteada obturada, o desgastada. Hay demasiadas incrustaciones en el interior del tubo. La costura de soldadura es excesiva. El estabilizador no se ha usado o está mal ajustado. El extremo del tubo no está a escuadra y/o tiene rebabas.	Ajuste el soporte para que el tubo quede paralelo. Establezca un descentrado del tubo de medio grado. Aumente un poco más el ángulo de descentrado del tubo. Limpie o reemplace el eje de mando /rodillo de tracción. Limpie el interior del tubo. Pula la costura de soldadura para aplanarla, a 2" del extremo del tubo. Ajuste el estabilizador. Aplique presión al tubo. <i>Vea la Figura 14.</i> Prepare el extremo del tubo correctamente.

Resolución de problemas Cont.

PROBLEMA	POSIBLES RAZONES	SOLUCIÓN
El tubo está abocinado en el extremo ranurado.	El tubo y el eje de mando no están paralelos. El operario está avanzando el rodillo ranurador a velocidad excesiva. El tubo es demasiado duro. El estabilizador está demasiado apretado.	Ajuste el soporte para que el tubo quede paralelo. Reduzca la velocidad de activación de la bomba. <i>Consulte las Instrucciones de operación.</i> Reemplace el tubo. Ajuste el estabilizador.
El tubo se desplaza de un lado a otro sobre el eje de mando durante la operación.	El tubo no es recto. El extremo del tubo no está a escuadra.	Use un tubo recto. Corte el extremo del tubo a escuadra.
El tubo se bambolea de un lado a otro.	El soportatubos está demasiado cerca al extremo del tubo. El extremo del tubo está aplanado o dañado. Hay zonas duras en el material del tubo o hay costuras de soldadura que son más duras que el tubo. La velocidad de la ranuradora es demasiado lenta. Los soportatubos no están en el lugar correcto.	Acerque el soportatubos a la máquina en la forma indicada en las <i>Instrucciones de instalación.</i> Corte el extremo del tubo para eliminar la parte dañada. Use otro tubo. Alimente el rodillo ranurador en el tubo más rápidamente. Coloque los soportatubos en posición correcta.
La ranuradora no labra una ranura en el tubo.	El espesor de la pared del tubo es superior al máximo especificado. El material del tubo es demasiado duro. La tuerca de ajuste no se ha fijado. Está usando un juego de rodillos equivocado.	Consulte la tabla de capacidades del tubo. Reemplace el tubo. Fije la profundidad. Instale un juego de rodillos correcto.
La ranuradora no labra una ranura del diámetro exigido.	Se ha excedido la tolerancia máxima del diámetro del tubo. La tuerca de ajuste de la profundidad no se ha fijado correctamente. El tubo es demasiado duro.	Use un tubo del diámetro correcto. Ajuste la profundidad fijada. Use un tubo diferente.
El tubo se resbala sobre el rodillo de tracción.	La velocidad de la ranuradora es demasiado lenta. La superficie moleteada del eje de mando/rodillo de tracción está obturada con metal o desgastada y aplanada.	Alimente el rodillo ranurador en el tubo más rápidamente. Limpie o reemplace el eje de mando/rodillo de tracción.
El tubo se levanta o tiende a volcar la ranuradora hacia atrás.	El soportatubos no está correctamente instalado.	Instale los soportatubos correctamente.
La bomba no emite aceite y el émbolo no avanza.	La válvula de liberación de la bomba está abierta. Hay poco aceite en el depósito. Hay suciedad en el cuerpo de la bomba. Las juntas obturadoras están desgastadas o no se asientan bien. Hay demasiado aceite en el depósito.	Cierre la válvula de liberación. Revise el nivel de aceite según las instrucciones. Pida que un técnico calificado le haga servicio. Pida que un técnico calificado le haga servicio. Revise el nivel de aceite según las instrucciones.
La manivela de la bomba tiene una acción "elástica".	El sistema tiene aire atrapado. Hay demasiado aceite en el depósito.	Purgue el aire del sistema hidráulico según las instrucciones. Revise el nivel de aceite según las instrucciones.
El émbolo avanza solo parcialmente.	Poco aceite en el depósito. El ajuste de profundidad no está fijado correctamente.	Llene y purgue el sistema. Siga las instrucciones del ajuste de profundidad.
La máquina no anda.	Las escobillas del motor están desgastadas.	Reemplace las escobillas.

Servicio y reparaciones

⚠ ADVERTENCIA

Esta máquina puede tornarse insegura si se repara o se mantiene incorrectamente.

La mayoría de las necesidades de servicio de esta máquina aparecen en las *Instrucciones de mantenimiento*. Cualquier problema que no aparezca en dicha sección debe encomendarse a un servicentro independiente autorizado de RIDGID. Use solamente repuestos RIDGID.

Para información sobre el servicentro independiente autorizado de RIDGID más cercano o si tiene preguntas sobre reparaciones o servicio, consulte la sección *Información de contacto* en este manual.

Equipo opcional

⚠ ADVERTENCIA

Para reducir el riesgo de lesiones graves, use solamente accesorios diseñados específicamente y recomendados para usar con la ranuradora a rodillos 918-I de RIDGID, como los que se indican en la lista siguiente.

Nº. de Cat.	Descripción
48405	Juego de rodillos para 8" a 12", cédula 10 (8" cédula 40), con maletín
48407	Juego de rodillos para 1¼" a 1½", cédula 10/40, con maletín
48412	Juego de rodillos para 1", cédula 10/40, y para 1¼" a 1½", cédula 10/40, con maletín
48417	Juego de rodillos para 2" a 6", de cobre
59992	Estabilizador, 2½" a 12"
76822	Cinta de diámetros, en pulgadas

76827	Cinta de diámetros, métrica
49662	Caja de herramientas
51432	Rodillo de tracción, 2" a 6"
49217	Rodillo ranurador, 2" a 6"
54317	Llave de tubo
64192	Soporte, ASM 918-I
64187	Soporte bajo 918-I

Para una lista completa de los equipos RIDGID disponibles para esta máquina, vea en línea el Catálogo de Herramientas Ridge en RIDGID.com o vea la *Información de contacto*.

Eliminación

Partes de la ranuradora a rodillos 918-I contienen materiales valiosos y se pueden reciclar. Hay compañías locales que se especializan en el reciclaje. Deseche los componentes y los desechos de aceite de acuerdo con todos los reglamentos correspondientes. Para más información sobre la eliminación de desechos, comuníquese con la agencia local de eliminación de residuos.



Para los países de la Comunidad Europea: ¡No deseche equipos eléctricos en la basura común!

De acuerdo con el Lineamiento Europeo 2012/19/EU para Desechos de Equipos Eléctricos y Electrónicos y su implementación en la legislación nacional, los equipos eléctricos inservibles deben desecharse por separado en una forma que cumpla con las normas del medio ambiente.

Tabla I. Espesor de la pared del tubo

NOTA: Todas las dimensiones están en pulgadas.

Diám. del tubo	Tubos o tuberías de acero al carbón o aluminio			Tubos o tuberías de acero inoxidable			Tubos de PVC		
	Cédula	Espesor de pared		Cédula	Espesor de pared		Cédula	Espesor de pared	
		Min.	Max.		Min.	Max.		Min.	Max.
1	5, 10, 40	0,065	0,133	5, 10	0,065	0,109	40	0,133	0,133
1¼	5, 10, 40	0,065	0,140	5, 10, 40	0,065	0,140	40	0,140	0,140
1½	5, 10, 40	0,065	0,145	5, 10, 40	0,065	0,145	40, 80	0,145	0,200
2	5, 10, 40	0,065	0,154	5, 10, 40	0,065	0,154	40, 80	0,154	0,218
2½	5, 10, 40	0,083	0,203	5, 10	0,083	0,188	40, 80	0,203	0,276
3	5, 10, 40	0,083	0,216	5, 10	0,083	0,188	40, 80	0,216	0,300
3½	5, 10, 40	0,083	0,226	5, 10	0,083	0,188	40	0,226	0,226
4	5, 10, 40	0,083	0,237	5, 10	0,083	0,188	40	0,237	0,237
5	5, 10, 40	0,109	0,258	5, 10	0,109	0,188	40	0,258	0,258
6	5, 10, 40	0,109	0,280	5, 10	0,109	0,188	40	0,280	0,280
8	5, 10, 40*	0,109	0,322	5, 10	0,109	0,148	40	0,322	0,322
10	5, 10	0,134	0,165	5, 10	0,134	0,165	—	—	—
12	5, 10	0,165	0,180	5, 10	0,165	0,180	—	—	—

* No usar para ranurar tubos de acero de 8" y cédula 40 que tengan una dureza superior a 150 BHN.

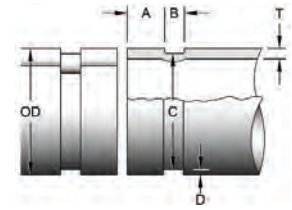


Tabla II. Especificaciones estándar del ranurado a rodillos⁽¹⁾

NOTA: Todas las dimensiones están en pulgadas.

Diám. nominal del tubo	Diám. del tubo		T Espesor mín. de la pared	A Asiento de la junta obturadora +0,015 / -0,030	B Ancho de la ranura +0,030 / -0,015	C Diám. en la ranura		D Profundidad nom. de la ranura ⁽²⁾
	DE	Tol.				DE	Tol.	
1	1,315	+0,013 -0,013	0,065	0,625	0,281	1,190	+0,000 -0,015	0,063
1 ¹ / ₄	1,660	+0,016 -0,016	0,065	0,625	0,281	1,535	+0,000 -0,015	0,063
1 ¹ / ₂	1,900	+0,019 -0,019	0,065	0,625	0,281	1,535	+0,000 -0,015	0,063
2	2,375	+0,024 -0,016	0,065	0,625	0,344	2,250	+0,000 -0,015	0,063
2 ¹ / ₂	2,875	+0,029 -0,016	0,083	0,625	0,344	2,720	+0,000 -0,015	0,078
3	3,50	+0,035 -0,031	0,083	0,625	0,344	3,344	+0,000 -0,015	0,078
3 ¹ / ₂	4,00	+0,040 -0,031	0,083	0,625	0,344	3,834	+0,000 -0,020	0,083
4	4,50	+0,045 0,031	0,083	0,625	0,344	4,334	+0,000 -0,015	0,083
5	5,563	+0,056 -0,031	0,109	0,625	0,344	5,395	+0,000 -0,015	0,084
6	6,625	+0,063 -0,031	0,109	0,625	0,344	6,455	+0,000 -0,015	0,085
8	8,625	+0,063 -0,031	0,109	0,750	0,469	8,441	+0,000 -0,020	0,092
10	10,75	+0,063 -0,031	0,134	0,750	0,469	10,562	+0,000 -0,025	0,094
12	12,75	+0,063 -0,031	0,156	0,750	0,469	12,531	+0,000 -0,025	0,110

(1) Según AWWA C606-15.

(2) La profundidad nominal de la ranura se proporciona solamente como dimensión de referencia. No use la profundidad de la ranura para determinar la aceptabilidad de una ranura.

NOTA: Siga las recomendaciones del fabricante del acoplamiento con respecto al abocinamiento máximo permitido.

Tabla III. Especificaciones para ranurar tubos de cobre ⁽¹⁾

NOTA: Todas las dimensiones están en pulgadas.

Diám. nominal	Diámetro exterior (DE) del tubo		A Junta obturadora ±0,03	B Ancho de la ranura +0,03 / -0,000	C Diám. en la ranura +0,000 / -0,020	D Profundidad nom. de la ranura ⁽²⁾	T Espesor mín. de pared permitido ⁽³⁾	Diám. máx. de abocinamiento permitido
	Básico	Tolerancia						
2	2,125	±0,002	0,610	0,300	2,029	0,048	DWV	2,174
2 ¹ / ₂	2,625	±0,002	0,610	0,300	2,525	0,050	0,065	2,674
3	3,125	±0,002	0,610	0,300	3,025	0,050	DWV	3,174
4	4,125	±0,002	0,610	0,300	4,019	0,053	DWV	4,174
5	5,125	±0,002	0,610	0,300	5,019	0,053	DWV	5,174
6	6,125	±0,002	0,610	0,300	5,999	0,063	DWV	6,174

(1) Tuberías de cobre según las siguientes normas: ASTM B88 y ASTM B306.

(2) La profundidad nominal de la ranura se proporciona solamente como dimensión de referencia. No use la profundidad de la ranura para determinar la aceptabilidad de una ranura.

(3) "DWV" – Espesor de pared según ASTM B306 para tuberías de desagüe y ventilación (Drain Waste and Vent).

Rollnutgerät

918-I Rollnutgerät



⚠️ WARNUNG!

Lesen Sie diese Bedienungsanleitung vor dem Gebrauch des Geräts sorgfältig durch. Die Unkenntnis und Nichtbeachtung des Inhalts dieser Bedienungsanleitung kann zu Stromschlag, Brand und/oder schweren Verletzungen führen

918-I Rollnutgerät

Notieren Sie unten die Seriennummer und bewahren Sie diese auf. Sie finden die Produkt-Seriennummer auf dem Typenschild.

Serien-Nr.

--	--


Inhaltsverzeichnis

Sicherheitssymbole	71
Allgemeine Sicherheits- und Warnhinweise für Elektrowerkzeuge*	71
Sicherheit im Arbeitsbereich.....	71
Elektrische Sicherheit.....	71
Sicherheit von Personen	72
Sachgemäßer Umgang mit Elektrowerkzeugen	72
Wartung.....	73
Spezifische Sicherheitsinstruktionen	73
Sicherheitsanweisungen für das Rollnutgerät	73
RIDGID Kontaktinformationen	74
Beschreibung	74
Technische Daten	75
Standardausstattung.....	75
Zusammenbau	76
Zusammenbauen des Rollnutgeräts.....	76
Inspektion vor der Benutzung	77
Vorbereitung und Betrieb	78
Betrieb	79
Vorbereitung der Rohre.....	79
Vorschieben/Zurückfahren der Nutrolle.....	79
Einlegen eines Rohrs in das Rollnutgerät.....	80
Einstellung/Justierung des Nutdurchmessers.....	81
Stabilisatorbetrieb.....	82
Nutschneiden.....	82
Tipps zur Nachführung.....	83
Prüfen/messen der Nut.....	83
Vorbereitung der Maschine für den Transport	84
Aufbewahrung	84
Wartungsanweisungen	84
Reinigung.....	84
Schmierung.....	84
Hydraulikflüssigkeitsstand	84
Wechseln von Rollensätzen.....	85
Ersetzen der Kohlebürsten.....	87
Fehlerbehebung.....	88
Wartung und Reparatur	90
Optionale Ausrüstung	90
Entsorgung	90
Tabelle I. Rohrwanddicke.....	91
Tabelle II. Standard-Rollnut-Spezifikationen	91
Tabelle III. Kupfer-Rollnut-Spezifikationen	92
EG-Konformitätserklärung	Im Hinterdeckel
Garantie	Hinterdeckel

* Übersetzung der Originalbetriebsanleitung

Sicherheitssymbole

Wichtige Sicherheitshinweise werden in dieser Bedienungsanleitung und auf dem Produkt mit bestimmten Sicherheitssymbolen und Warnungen gekennzeichnet. Dieser Abschnitt enthält Erläuterungen zu diesen Warnhinweisen und Symbolen.


 Dies ist das allgemeine Gefahrensymbol. Es weist auf mögliche Verletzungsgefahren hin. Beachten Sie alle Hinweise mit diesem Symbol, um Verletzungs- oder Lebensgefahr zu vermeiden.


GEFAHR GEFAHR weist auf gefährliche Situationen hin, die bei Nichtbeachtung zu tödlichen bzw. ernsthaften Verletzungen führen.


WARNUNG WARNUNG weist auf gefährliche Situationen hin, die bei Nichtbeachtung zu tödlichen bzw. ernsthaften Verletzungen führen können.


ACHTUNG ACHTUNG weist auf eine gefährliche Situation hin, die ohne entsprechende Sicherheitsvorkehrungen zu kleineren bis mittelschweren Verletzungen führen kann.

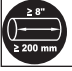
HINWEIS HINWEIS kennzeichnet Informationen, die sich auf den Schutz des Eigentums beziehen.


 Dieses Symbol bedeutet, dass die Bedienungsanleitung sorgfältig durchzulesen ist, bevor das Gerät in Betrieb genommen wird. Die Bedienungsanleitung enthält wichtige Informationen für den sicheren, ordnungsgemäßen Gebrauch des Geräts.


 Dieses Symbol bedeutet, dass bei der Arbeit mit diesem Gerät immer eine Schutzbrille mit Seitenschutz oder ein Augenschutz zu verwenden ist, um Augenverletzungen zu vermeiden.


 Dieses Symbol weist auf das Risiko hin, dass das Gerät umkippen kann, was zu Verletzungen durch Aufprall oder Zerquetschen führen kann.


 Dieses Symbol weist auf die Gefahr des Einklemmens von Fingern und Händen zwischen den Nutrollen oder zwischen Nutrollen und Rohr hin.


 Dieses Symbol weist darauf hin, dass das zu nutzende Rohr mindestens 8 Zoll (200 mm) lang sein sollte, um die Verletzungsgefahr zu verringern.


 Dieses Symbol weist darauf hin, während des Betriebs nicht in das Rohr zu greifen, um die Gefahr einer Verwicklung zu reduzieren.


 Dieses Symbol weist auf die Gefahr von Stromschlägen hin.

 Dieses Symbol bedeutet, dass zum Betrieb des Geräts immer ein Fußschalter zu verwenden ist, um Verletzungen zu vermeiden.

 Dieses Symbol bedeutet, dass der Fußschalter zur Vermeidung von Verletzungen nicht getrennt werden darf.

 Dieses Symbol bedeutet, dass der Fußschalter zur Vermeidung von Verletzungen nicht blockiert (in Stellung ON (Ein) verklemmt) werden darf.

 Dieses Symbol weist auf die Gefahr des Verfangens und/oder Verwickelns von Händen, Fingern, Beinen, Kleidung und anderen Objekten in drehenden Wellen hin, was zu Quetsch- oder Stoßverletzungen führen kann.

 Dieses Symbol weist auf die Gefahr hin, dass Finger, Hände, Kleidung und andere Objekte an oder zwischen rotierende Teile geraten und es zu Quetschungen kommt.

Allgemeine Sicherheits- und Warnhinweise für Elektrowerkzeuge*

⚠️ WARNUNG

Lesen Sie alle Sicherheitswarnungen, Anweisungen, Illustrationen und Spezifikationen in Zusammenhang mit diesem Elektrowerkzeug. Die Nichtbeachtung der nachfolgenden Anweisungen kann zu Stromschlag, Brand und/oder schweren Verletzungen führen.

ALLE WARNUNGEN UND ANWEISUNGEN ZUR SPÄTEREN EINSICHT AUFBEWAHREN!

Der im folgenden Text verwendete Begriff „Elektrowerkzeug“ bezieht sich auf netzbetriebene Elektrowerkzeuge (mit Netzkabel) und akkubetriebene Elektrowerkzeuge (ohne Netzkabel).

Sicherheit im Arbeitsbereich

- **Halten Sie Ihren Arbeitsbereich sauber und sorgen Sie für eine gute Beleuchtung.** Unordentliche und un-

zureichend beleuchtete Arbeitsbereiche erhöhen das Unfallrisiko.

- **Betreiben Sie Elektrowerkzeuge nicht in Umgebungen mit erhöhter Explosionsgefahr, in denen sich leicht entflammare Flüssigkeiten, Gase oder Staub befinden.** Elektrowerkzeuge erzeugen im Betrieb Funken, durch die sich Staub oder Brandgase leicht entzünden können.
- **Sorgen Sie beim Betrieb eines Elektrowerkzeugs dafür, dass sich keine Kinder oder sonstige Unbeteiligte in dessen Nähe befinden.** Bei Ablenkungen kann die Kontrolle über das Gerät verloren gehen.

Elektrische Sicherheit

- **Die Stecker des Elektrowerkzeugs müssen zur verwendeten Steckdose passen. Nehmen Sie niemals Veränderungen am Stecker vor. Verwenden Sie keine Adapterstecker in Kombination mit schutzgeerdeten**

* Der im Abschnitt „Allgemeine Sicherheits- und Warnhinweise für Elektrowerkzeuge“ dieses Handbuchs verwendete Text wurde wörtlich aus der geltenden Norm UL/CSA/EN 62841-1 übernommen. Dieser Abschnitt enthält allgemeine Sicherheitshinweise für viele verschiedene Elektrowerkzeugtypen. Nicht jede Sicherheitsvorkehrung gilt für jedes Werkzeug, einige gelten für dieses Werkzeug nicht.

Geräten. Originalstecker und passende Steckdosen bedeuten die geringste Stromschlaggefahr.

- **Vermeiden Sie Körperkontakt mit geerdeten Oberflächen, zum Beispiel Rohre, Heizungen, Herde oder Kühlschränke.** Es besteht ein erhöhtes Risiko durch elektrischen Schlag, wenn Ihr Körper geerdet ist.
- **Halten Sie Elektrowerkzeuge von Regen und Nässe fern.** Das Eindringen von Wasser in ein Elektrowerkzeug erhöht die Stromschlaggefahr.
- **Das Netzkabel darf nicht für anderweitige Zwecke missbraucht werden. Verwenden Sie es niemals zum Tragen oder Ziehen des Werkzeugs oder zum Herausziehen des Steckers. Halten Sie das Kabel von Hitze, Öl, scharfen Kanten und bewegenden Teilen fern.** Beschädigte oder verhedderte Kabel erhöhen die Stromschlaggefahr.
- **Wenn Sie mit einem Elektrowerkzeug im Freien arbeiten, verwenden Sie nur Verlängerungskabel, die für die Verwendung im Freien geeignet sind.** Die Verwendung eines geeigneten Verlängerungskabels für den Gebrauch im Freien verringert die Gefahr eines Stromschlags.
- **Wenn Sie ein Elektrowerkzeug in feuchter Umgebung einsetzen müssen, verwenden Sie eine Stromversorgung mit Fehlerstromschutzschalter (FI-Schutzschalter).** Die Verwendung eines Fehlerstromschutzschalters (FI-Schutzschalters) verringert die Gefahr eines Stromschlags.

Sicherheit von Personen

- **Seien Sie beim Betrieb eines Elektrowerkzeugs immer aufmerksam und verantwortungsbewusst. Verwenden Sie ein Elektrowerkzeug nicht unter Einfluss von Drogen, Alkohol oder Medikamenten.** Durch einen kurzen Moment der Unaufmerksamkeit können Sie sich selbst oder anderen erhebliche Verletzungen zufügen.
- **Tragen Sie immer persönliche Schutzkleidung. Immer einen Augenschutz tragen.** Das Tragen einer Schutzausrüstung, wie Staubmaske, rutschfeste Sicherheitsschuhe, Schutzhelm oder Gehörschutz, verringert das Risiko von Verletzungen und ist daher unbedingt erforderlich.
- **Verhindern Sie, dass Elektrowerkzeuge unbeabsichtigt eingeschaltet werden. Überprüfen Sie vor dem Einstecken des Steckers in die Steckdose und/oder des Anschließens eines Akkus, dem Aufheben oder Tragen des Werkzeugs, ob der Schalter in Position OFF (Aus) steht.** Wenn Sie beim Tragen von Elektrowerkzeugen Ihren Finger auf dem Schalter halten oder den Stecker einstecken, während der Schalter auf EIN steht, besteht Unfallgefahr.

- **Entfernen Sie sämtliche Einstellwerkzeuge oder Schraubenschlüssel, bevor Sie den Schalter des Elektrowerkzeugs auf EIN stellen.** Ein Werkzeug oder Schlüssel, der sich in einem drehenden Geräteteil befindet, kann zu Verletzungen führen.
- **Lehnen Sie sich nicht zu weit in eine Richtung. Sorgen Sie stets für ein sicheres Gleichgewicht und einen festen Stand.** Dadurch können Sie das Gerät in unerwarteten Situationen besser kontrollieren.
- **Tragen Sie geeignete Kleidung. Tragen Sie keine weiten Kleidungsstücke oder Schmuck. Halten Sie Haare, Kleidung und Handschuhe von beweglichen Teilen fern.** Weite Kleidung, Schmuck oder lange Haare können von bewegten Teilen erfasst werden.
- **Wenn Staubabsaug- und Staubauffangeinrichtungen montiert werden können, vergewissern Sie sich, dass diese angeschlossen sind und richtig verwendet werden.** Durch Verwendung von Staubauffangeinrichtungen können die durch Staub entstehenden Gefahren erheblich reduziert werden.
- **Lassen Sie sich durch die Tatsache, dass Sie durch häufige Benutzung mit einem Werkzeug vertraut sind, nicht dazu verleiten, nachlässig zu werden und Sicherheitsprinzipien für den Umgang mit Werkzeugen zu ignorieren.** Eine unbedachte Handlung kann innerhalb von Sekundenbruchteilen schwere Verletzungen verursachen.

Sachgemäßer Umgang mit Elektrowerkzeugen

- **Wenden Sie bei Verwendung des Elektrowerkzeugs keine Gewalt an. Verwenden Sie das korrekte Elektrowerkzeug für Ihre Anwendung.** Dadurch können Sie Ihre Arbeit effektiver und sicherer ausführen.
- **Verwenden Sie das Elektrowerkzeug nicht, wenn es sich nicht mit dem Schalter ein- und ausschalten lässt.** Ein Elektrowerkzeug, das sich nicht über den Schalter ein- und ausschalten lässt, stellt eine Gefahrenquelle dar und muss repariert werden.
- **Ziehen Sie den Stecker aus der Steckdose und/oder entfernen Sie den Akku (sofern er sich herausnehmen lässt) aus dem Elektrowerkzeug, bevor Sie Einstellungen vornehmen, Zubehörteile wechseln oder das Werkzeug lagern.** Durch solche Vorsichtsmaßnahmen wird der unbeabsichtigte Start des Elektrowerkzeugs verhindert.
- **Bewahren Sie unbenutzte Werkzeuge außerhalb der Reichweite von Kindern auf und lassen Sie Personen,**

die mit dem Werkzeug nicht vertraut sind oder diese Anweisungen nicht gelesen haben, das Werkzeug nicht benutzen. Elektrowerkzeuge sind gefährlich, wenn Sie von unerfahrenen Personen benutzt werden.

- **Elektrowerkzeuge und Zubehör warten. Stellen Sie sicher, dass sich alle beweglichen und festen Teile in der richtigen Position befinden, keine Teile gebrochen sind oder sonstige Fehler vorliegen, um den reibungslosen Betrieb des Elektrowerkzeugs sicherzustellen. Bei Beschädigungen muss das Elektrowerkzeug vor einer erneuten Verwendung zunächst repariert werden.** Viele Unfälle werden durch schlecht gewartete Elektrowerkzeuge verursacht.
- **Halten Sie Schneidwerkzeuge scharf und sauber.** Sorgfältig gepflegte Schneidwerkzeuge mit scharfen Schneidkanten verklemmen seltener und sind leichter zu führen.
- **Verwenden Sie Elektrowerkzeug, Zubehör, Einsatzwerkzeuge usw. entsprechend diesen Anweisungen und unter Berücksichtigung der Arbeitsbedingungen und der auszuführenden Tätigkeit.** Wenn Elektrowerkzeuge nicht vorschriftsmäßig verwendet werden, kann dies zu gefährlichen Situationen führen.
- **Halten Sie Griffe und Griffflächen trocken, sauber und frei von Ölen und Fetten.** Rutschige Griffe und Griffflächen verhindern eine sichere Handhabung und Kontrolle des Werkzeugs in unerwarteten Situationen.

Wartung

- **Lassen Sie Ihr Elektrowerkzeug nur von qualifiziertem Fachpersonal und nur mit Original-Ersatzteilen reparieren.** Dadurch bleibt die Sicherheit des Elektrowerkzeugs gewährleistet.

Spezifische Sicherheitsinstruktionen

⚠️ WARNUNG

Dieser Abschnitt enthält wichtige Sicherheitshinweise, die speziell für dieses Werkzeug gelten. Lesen Sie vor dem Gebrauch des 918-I Rollnutgeräts diese Sicherheitshinweise sorgfältig durch, um die Gefahr eines Stromschlags oder anderer ernsthafter Verletzungen zu vermeiden.

ALLE WARNUNGEN UND ANWEISUNGEN ZUR SPÄTEREN EINSICHT AUFBEWAHREN!

Bewahren Sie diese Bedienungsanleitung bei der Maschine auf, damit sie dem Bediener jederzeit zur Verfügung steht.

Sicherheitsanweisungen für das Rollnutgerät

- **Halten Sie Ihre Hände von den Nutrollen fern.** Tragen Sie keine locker sitzenden Handschuhe. Finger können

zwischen Nutrollen, Nutrolle und Rohr oder zwischen Rohr und Stabilisatorrad gequetscht werden.

- **Halten Sie Ihre Hände weg von den Rohrenden. Greifen Sie nicht in das Rohrinne. Berühren Sie während des Betriebs nicht die Nut.** Grate und scharfe Kanten können Ihre Hände erfassen und schneiden. Finger können zwischen Nutrollen oder zwischen Nutrollen und Rohr gequetscht werden.
- **Entfernen Sie nicht die Schutzvorrichtungen. Betreiben Sie das Rollnutgerät nicht, wenn die Schutzvorrichtung entfernt ist.** Der Kontakt mit Nutrollen kann zu einem Verfangen und schweren Verletzungen führen.
- **Nutzen Sie nur Rohre, die mindestens 8 Zoll (200 mm) lang sind.** Wenn Sie ein kürzeres als das angegebene Rohr nutzen, kann dies zu einem Verfangen und Quetschungen führen.
- **Tragen Sie bei der Bedienung von Maschinen keine weite Kleidung. Hemdsärmel und Jacken müssen zugeknöpft sein. Nicht über die Maschine oder das Rohr greifen.** Kleidung kann sich im Rohr oder in der Maschine verfangen.
- **Verwenden Sie die Maschine nicht bei beschädigtem oder fehlendem Fußschalter. Blockieren Sie den Fußschalter niemals in eingeschalteter Stellung (ON), sodass er die Maschine nicht mehr ordnungsgemäß steuert.** Ein Fußschalter bietet bessere Kontrolle, da Sie den Motor der Maschine durch Entfernen des Fußes abschalten können. Wenn Sie sich verfangen und der Motor weiterhin mit Strom versorgt wird, werden Sie in die Maschine gezogen. Diese Maschine besitzt ein hohes Drehmoment und kann Kleidung so stark um einen Arm oder andere Körperteile schnüren, dass Knochen gequetscht oder gebrochen bzw. Stoß- und andere Verletzungen verursacht werden können.
- **Stellen Sie sicher, dass das Rollnutgerät, das Rohr und die Ständer stabil stehen.** Stellen Sie sicher, dass das Rollnutgerät richtig aufgestellt und gesichert ist. Dadurch wird ein Umkippen des Geräts und des Rohrs verhindert. Stützen Sie das Rohr korrekt ab. Dadurch wird ein Umkippen des Rohrs und des Geräts verhindert.
- **Bereiten Sie das Rohr ordnungsgemäß vor und handhaben Sie es richtig.** Grate und scharfe Kanten können Ihre Hände erfassen und schneiden.
- **Arbeitsablauf, Maschinenbetrieb und Fußschalter sind von einer Person zu bedienen.** Nur der Bediener sollte sich im Arbeitsbereich aufhalten, wenn die Maschine läuft. Dies trägt zur Reduzierung des Verletzungsrisikos bei.

- **Beschränken oder sperren Sie den Zugang zum Arbeitsbereich, wenn das Werkstück über die Maschine hinaus ragt, sodass ein Abstand von mindestens einem Meter (3 Fuß) zum Werkstück gegeben ist.** Durch Beschränkung des Zugangs oder Absperrung des Arbeitsbereichs um das Werkstück wird das Risiko des Verfangens reduziert.
- **Tragen Sie beim Einrichten und Verwenden des Rollnutgeräts immer eine geeignete persönliche Schutzausrüstung.** Geeignete persönliche Schutzausrüstung umfasst immer einen Augenschutz und kann auch Ausrüstung wie eng anliegende Lederhandschuhe und Schuhe mit Stahlkappen umfassen.
- **Verwenden Sie das Rollnutgerät nur zum Nuten von Rohren der empfohlenen Größen und Typen gemäß dieser Anleitung.** Bei anderen Arten der Verwendung oder bei Veränderung dieses Rollnutgeräts für andere Zwecke kann sich das Verletzungsrisiko erhöhen.
- **Vor dem Betrieb des Rollnutgeräts lesen und verstehen Sie Folgendes:**
 - Diese Betriebsanleitung
 - Die Installationsanweisungen des Fitting-Herstellers
 - Die Anweisungen für jedes mit diesem Werkzeug verwendeten Materials und Ausrüstung

Die Nichtbefolgung der Anweisungen und Warnungen kann zu Sachschäden und/oder schweren Verletzungen führen.

RIDGID Kontaktinformationen

Wenn Sie Fragen zu diesem RIDGID®-Produkt haben:

- Wenden Sie sich an Ihren örtlichen RIDGID®-Händler.
- Einen RIDGID Kontaktpunkt in Ihrer Nähe finden Sie auf RIDGID.com.
- Den technischen Kundendienst von Ridge Tool erreichen Sie unter ProToolsTechService@Emerson.com bzw. in den USA und Kanada telefonisch unter 844-789-8665.

Beschreibung

Das RIDGID® 918-I Rollnutgerät ist für das Formen von Rollnuten in Rohren aus Stahl, Edelstahl, Aluminium, PVC und Kupfer ausgelegt. Die Nuten werden gebildet, indem die Nutrolle hydraulisch in das Rohr vorgeschoben wird, das von der Antriebsrolle unterstützt wird.

Das 918-I Rollnutgerät enthält typischerweise zwei Nut- und Antriebsrollensätze zum Nuten von Rohren:

- Stahlrohre 2 bis 6 Zoll, Schedule 10 und 40

- Stahlrohre 8 bis 12 Zoll, Schedule 10, und Stahlrohre 8 Zoll, Schedule 40

Andere Materialien können nutgeschnitten werden - siehe Tabellen im Anhang. Für andere Größen und Kupferrohre werden andere Nut- und Antriebswellensätze benötigt.

Mit einer zweistufigen hydraulischen Handpumpe wird die Nutrolle in das Rohr vorgeschoben, um Nuten zu formen. Eine Einstellmutter zur Kontrolle des Nutdurchmessers ist im Lieferumfang enthalten.

Ein einstellbarer Stabilisator hilft, die Nachführung und Kontrolle des Rohrs während des Nutens beizubehalten, insbesondere bei Rohrlängen, die die Mindestrohrlänge von 8 Zoll knapp überschreiten.

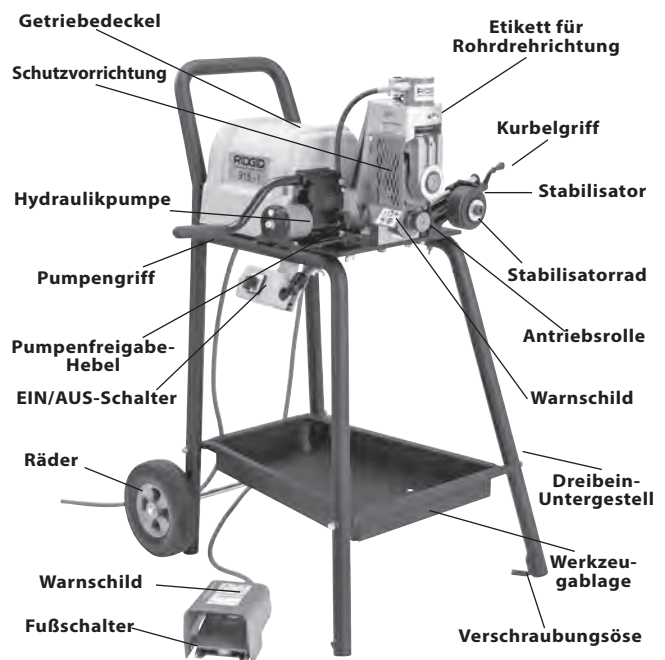


Abbildung 1A – 918-I Rollnutgerät

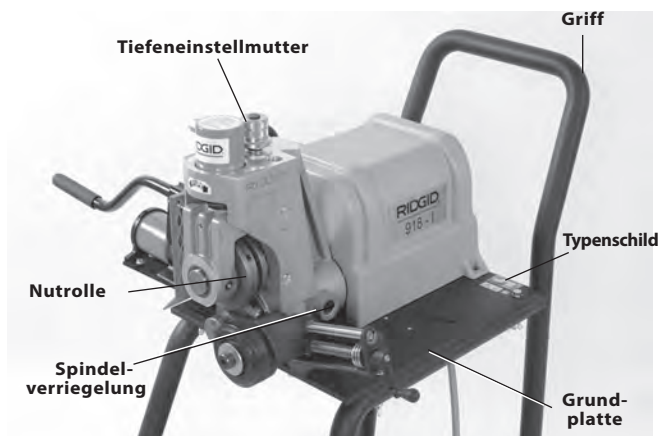


Abbildung 1B – 918-I Rollnutgerät

Technische Daten

Werkstoffe,	
Rohr	Stahl, Edelstahl, Aluminium, Kupfer und PVC
Kapazität	
Standardnut-	
rollensätze.....	Stahlrohr 2 bis 6 Zoll, Schedule 10 und 40
Optionale Nut-	
rollensätze.....	Stahlrohr 8 bis 12 Zoll, Schedule 10, und Stahlrohr 8 Zoll, Schedule 40
	Stahlrohr 1 Zoll, Schedule 10 und 40
	Stahlrohr 1¼ bis 1½ Zoll, Schedule 10 und 40
	Kupferrohr 2 bis 6 Zoll, (Typ K, L, M und DWV)
	<i>Für andere Werkstoffe und Wandstärken siehe Tabelle I, II und III</i>
Tiefen-	
einstellung.....	Tiefeneinstellmutter
Betätigung.....	2-stufige hydraulische Handpumpe
Stabilisator	Manuell eingestellt, für Rohre 2 ½ bis 12 Zoll
Motor	
Typ.....	Universal
Spannung (V).....	120 220–240
Frequenz (Hz).....	50/60 50/60
Strom (A).....	12,0 6,0
Leistung (W).....	1400 1400
Bedienelemente	Ein-/Aus-Drehschalter und Ein-/Aus-Fuß- schalter
Dreibein-Untergestell	918-I Dreibein-Untergestell 918-I niedriges Dreibein-Untergestell
Montagehöhe	
des Untergestells.....	34 Zoll (865 mm) 27.4 Zoll (696 mm)
Gewicht	
(mit Untergestell).....	185 lbs (84,1 kg)
Abmessungen mit Pumpe in Arbeitsposition:	
Mit Untergestell	
(BxTxH).....	39 x 35 x 51.3 Zoll (990 x 889 x 1303 mm)
Mit niedrigem Untergestell	
(BxTxH).....	39 x 35 x 44.3 Zoll (990 x 889 x 1125 mm)
Schalldruck	
(LPA)*	92,9 dB(A), K=3

Schalleistung

(LWA)* 105,7 dB(A), K=3

* Der Schall wird nach einem standardisierten Verfahren gemäß der Norm EN 62841-1 gemessen.

- Schallemissionen können aufgrund Ihres Standorts und der spezifischen Verwendung dieser Werkzeuge schwanken.

- Das tägliche Schallexpositionsniveau muss für jede Anwendung bewertet werden und bei Bedarf sind entsprechende Sicherheitsmaßnahmen zu treffen. Bei der Bewertung des Expositionslevels sollte die Zeit berücksichtigt werden, für die ein Werkzeug abgeschaltet ist und nicht benutzt wird. Dadurch kann sich das Expositionsniveau über die gesamte Arbeitszeit signifikant verringern.

Nicht zum Nuten von 8 Zoll starken Schedule-40-Stahlrohren verwenden, die härter als 150 Brinell (BHN) sind. Dies kann zu unsachgemäß geformten / außerhalb der Spezifikation liegenden Nuten führen.

Standardausstattung

Einzelheiten über das Zubehör, das mit bestimmten Maschinen geliefert wird, finden Sie im RIDGID-Katalog.

Das Typenschild des 918-I Rollnutgeräts befindet sich an der Grundplatte. Die letzten 4 Ziffern geben Monat (MM) und Jahr (YY) der Herstellung an.

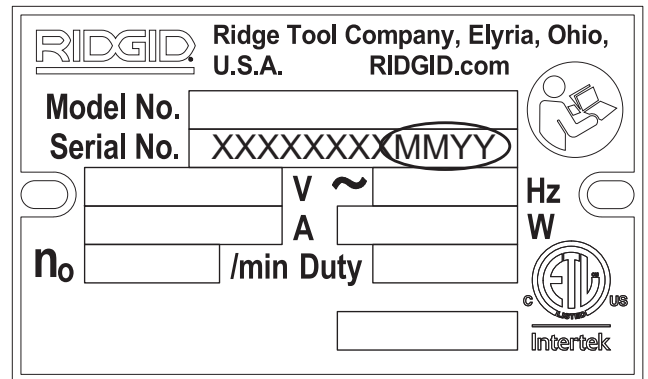


Abbildung 3 – Geräteseriennummer

HINWEIS Bei ordnungsgemäßer Verwendung ist das Modell 918-I Rollnutgerät für die Herstellung von Nuten in Rohren von 1 Zoll bis 12 Zoll ausgelegt, die in ihren Abmessungen den Spezifikationen der AWWA C606-15 entsprechen. Bei unsachgemäßer Verwendung dieses Geräts können Nuten außerhalb der Spezifikation entstehen und das Rohr und das Gerät beschädigt werden.

Für die Auswahl der geeigneten Materialien, sowie der Verbindungsmethoden ist der Systemdesigner und/oder Installateur verantwortlich. Bevor eine Installation unternommen wird, sollte eine sorgfältige Bewertung der spezifischen Betriebsumgebung, einschließlich der chemischen Umgebung und der Betriebstemperatur, durchgeführt werden. Die Auswahl ungeeigneter Materialien und Methoden kann zu Systemausfällen führen.

Edelstahl und andere korrosionsbeständige Materialien können bei Installation, Zusammenfügen und Formen kontaminiert werden. Diese Kontamination könnte zu Korrosion und

vorzeitigem Ausfall führen. Eine sorgfältige Bewertung der Materialien und Methoden für die speziellen Einsatzbedingungen, einschließlich chemischer Bedingungen und Temperatur, sollte erfolgen, bevor eine Installation versucht wird.

Zusammenbau

⚠ WARNUNG

Die folgenden Anweisungen sind bei der Montage des Geräts zu beachten, um Verletzungen während des Gebrauchs zu vermeiden.

Nutzen Sie vorschriftsmäßige Hebeverfahren. Das 918-I Rollnutgerät wiegt mit Dreibein-Untergestell 185 lbs (84,1 kg).

Zusammenbauen des Rollnutgeräts

1. Befestigen Sie das rechte und das linke Bein mit Sechskantschrauben $\frac{3}{8}$ Zoll – 16 x $2\frac{1}{2}$ Zoll und Sicherungsscheiben am Träger/Griff. Ziehen Sie die Schrauben nicht fest.
2. Befestigen Sie die Werkzeugablage mit den 4 (vier) Sechskantschrauben $\frac{3}{8}$ Zoll – 16 x $2\frac{3}{4}$ Zoll und mit Sicherungsscheiben an den hinteren und vorderen Beinen. Ziehen Sie die Schrauben nicht fest.
3. Führen Sie die Achse in die Nasen ein, die am hinteren Träger/Griff überstehen, und sichern Sie die Achse mit 4 (vier) Befestigungsringen. *Siehe Abbildung 4.*

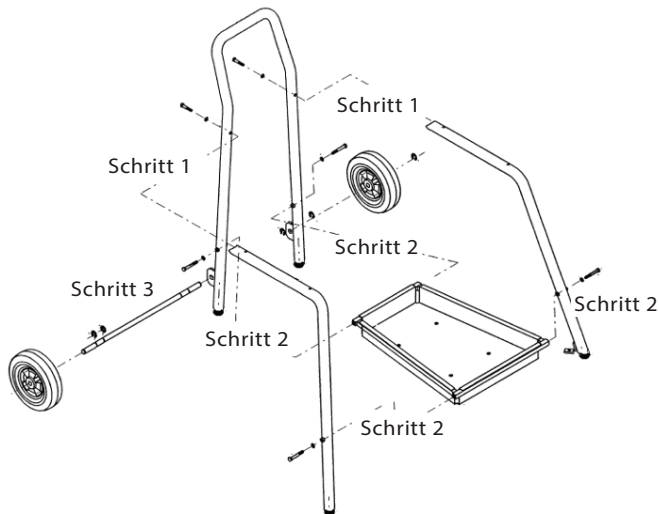


Abbildung 4 – Zusammenbau des Dreibein-Untergestells

4. Befestigen Sie das Rollnutgerät mit der Grundplatte mit 4 (vier) Sechskantschrauben $\frac{3}{8}$ Zoll – 16 x $2\frac{1}{2}$ Zoll, Unterlegscheiben und Flügelmuttern am Dreibein-Untergestell (*Abbildung 5*). Setzen Sie den Schalterblock vorsichtig unter dem Holm an. Zum Ausrichten der Grundplatte müssen unter Umständen die Beine verschoben werden.

Die Bolzenköpfe zeigen zur Oberseite, die Flügelmut-

tern und Sicherungsscheiben zur Unterseite des Gestells. Zur Montage des letzten Bolzens muss der Getriebedeckel abgenommen werden.

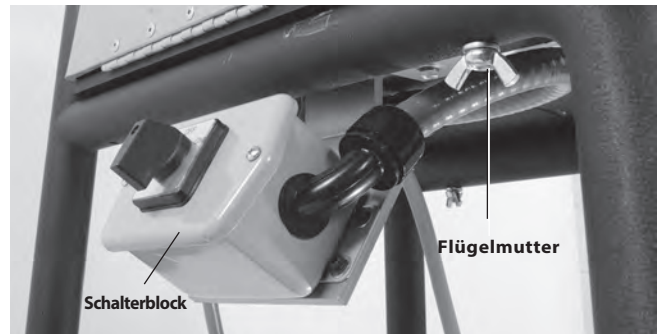


Abbildung 5 – Montage des Rollnutgeräts am Dreibein-Untergestell

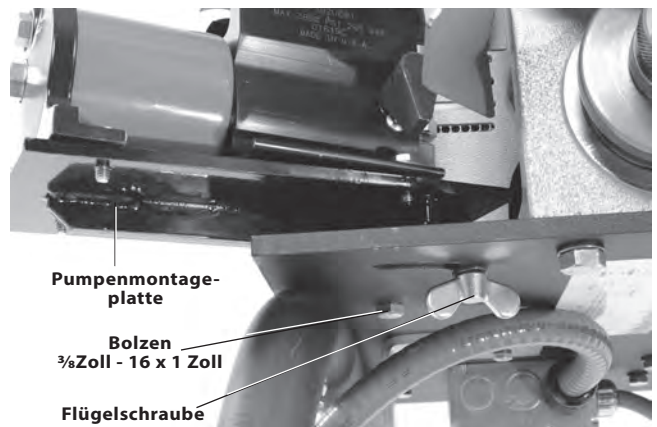


Abbildung 6 – Montage der Hydraulikpumpe

5. Ziehen Sie alle Befestigungselemente fest an. Schieben Sie die Räder auf die Achse und montieren Sie Sicherungsringe, um die Räder an der Achse zu sichern.
6. Trennen Sie den Binder, mit dem die Hydraulikpumpe für den Transport gesichert wurde. Entfernen Sie die Bolzen/Flügelschrauben von der Unterseite der Pumpenmontageplatte.
7. Setzen Sie die Pumpenmontageplatte über die Öffnung und den Schlitz auf der Schalterseite des 918-I. Führen Sie den Bolzen ($\frac{3}{8}$ Zoll – 16 x 1 Zoll) mit Unterlegscheibe in die Öffnung und drehen Sie ihn in die Pumpenmontageplatte ein (*Abbildung 6*).
8. Führen Sie die Flügelschraube mit Sicherungsscheibe von der Unterseite der Grundplatte (durch den Schlitz) in die Pumpenmontageplatte ein und ziehen Sie wie erforderlich fest.

Während des Betriebs des 918-I sollte sich die Hydraulikpumpe in der äußersten Position befinden. Zum Transport sollte die Hydraulikpumpe nach innen verschoben und der Griff nach oben gerichtet werden, um die Gesamtbreite zu reduzieren. *Siehe Abbildung 7.*

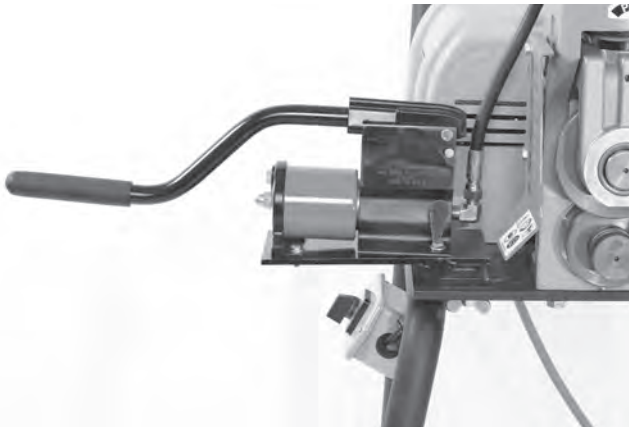


Abbildung 7A – Pumpe in Betriebsposition



Abbildung 7B – Pumpe in Transportposition [oben]

Inspektion vor der Benutzung

⚠️ WARNUNG



Kontrollieren Sie Ihr Rollnutgerät vor jeder Benutzung und beheben Sie etwaige Probleme, um die Verletzungsgefahr durch Stromschlag, Quetschung und andere Ursachen zu reduzieren und Beschädigungen des Rollnutgeräts zu vermeiden.

1. Stellen Sie sicher, dass das Gerät vom Stromnetz getrennt ist und sich der Schalter in der Position OFF (Aus) befindet.
2. Reinigen Sie das Rollnutgerät einschließlich des Pumpengriffs und Stabilisatorkurbelgriffs von Öl, Fett und Schmutz. Dies erleichtert die Inspektion und hilft, zu vermeiden, dass Gerät oder Bedienelemente Ihnen aus den Händen gleiten.
3. Überprüfen Sie das Rollnutgerät auf Folgendes:

- Korrekte Montage, Wartung und Vollständigkeit.
- Beschädigungen oder Änderungen an Kabeln oder Steckern.
- Gebrochene, verschlissene, fehlende, falsch eingestellte oder klemmende Teile.
- Hydraulische Lecks. Öl auf dem Rollnutgerät kann auf ein hydraulisches Leck hinweisen.
- Vorhandensein und Zustand der Schutzvorrichtung (siehe Abbildung 1). Betreiben Sie das Rollnutgerät nicht, wenn die Schutzvorrichtung entfernt ist.
- Vorhandensein und ordnungsgemäße Funktion des Fußschalters. Überprüfen Sie, dass der Fußschalter angeschlossen und in einem guten Zustand ist und dass er problemlos schaltet und nicht klemmt.
- Vorhandensein und Lesbarkeit der Warnschilder (siehe Abbildungen 1 und 8).
- Zustand der Nutrolle und Antriebsrolle. Wenn die Rändelungen der Antriebsrolle verschmutzt sind, reinigen Sie sie mit einer Drahtbürste. Verschmutzte oder verschlissene Rändelungen können beim Nuten zu Rutsch und Nachführungsproblemen führen.
- Zustand des Stabilisatorrads. Bei Bedarf austauschen.
- Position der Hydraulikpumpe; die Pumpe muss während des Betriebs in der äußersten Position sein.
- Umstände, die einen sicheren und normalen Betrieb verhindern könnten.
- Wenn Probleme festgestellt werden, benutzen Sie das Rollnutgerät erst, wenn die Probleme behoben sind.



Abbildung 8 – Warnschild

4. Kontrollieren und warten Sie alle anderen verwendeten Ausrüstungsteile gemäß der jeweiligen Anleitung, um sicherzustellen, dass sie in funktionsfähigen Zustand sind.

Vorbereitung und Betrieb

⚠️ WARNUNG



Richten Sie das Rollnutgerät und den Arbeitsbereich gemäß dieser Anweisungen ein, um die Verletzungsgefahr durch Stromschlag, Umkippen der Maschine, Quetschungen oder andere Ursachen zu reduzieren und zur Vermeidung von Beschädigungen der Maschine beizutragen.

1. Überprüfen Sie den Arbeitsbereich auf:
 - Ausreichende Beleuchtung.
 - Entflammbare Flüssigkeiten, Dämpfe oder Stäube, die sich entzünden können. Bei Vorhandensein nicht in dem Bereich arbeiten, bis die Ursache festgestellt, beseitigt oder behoben und der Bereich vollständig gelüftet wurde.
 - Freien, sauberen, ebenen, stabilen und trockenen Arbeitsplatz für die gesamte Ausrüstung und den Bediener. Reinigen Sie eventuell vorhandenes Öl.
 - Korrekt geerdete Steckdose mit richtiger Spannung. Überprüfen Sie die geforderte Spannung auf dem Typenschild der Maschine. Eine Steckdose mit drei Stiften oder Fehlerstromschutzschalter ist unter Umständen nicht korrekt geerdet. Lassen Sie im Zweifelsfall die Steckdose von einem autorisierten Elektriker überprüfen.
2. Untersuchen Sie das zu nutende Rohr und bestimmen Sie das richtige Werkzeug für die Aufgabe. Siehe *Technische Daten*. Nutgeräte für andere Anwendungen finden Sie im RIDGID-Katalog, online unter RIDGID.com. Verwenden Sie das Nutgerät nur zum Nuten in gerade Rohlinge. Nuten Sie keine Rohre mit Vorsprüngen oder Abgängen wie T-Stücke oder Bögen. Das führt zu einer erhöhten Gefahr des Verfangens.
3. Vergewissern Sie sich, dass die zu verwendende Ausrüstung ordnungsgemäß überprüft und montiert wurde. Vergewissern Sie sich, dass der richtige Nutrollensatz für die Anwendung im Rollnutgerät installiert ist.

HINWEIS Die Verwendung von Rollensätzen (Nutrolle und Antriebsrolle) sowohl bei Kohlenstoff- als auch bei Edelstahlrohren kann zu einer Verunreinigung des Edelstahlmaterials führen. Diese Kontamination könnte zu Korrosion und vorzeitigem Ausfall des Rohrs führen. Um eisenhaltige Verunreinigungen von Edelstahlrohren zu vermeiden, verwenden Sie Rollensätze, die speziell für das Nuten von Edelstahl vorgesehen sind. Alternativ kann mit einer Edelstahldrahtbürste

der Rollensatz beim Wechsel zwischen Werkstoffen gründlich gereinigt werden.

4. Stellen Sie das 918-I im Arbeitsbereich auf. Vergewissern Sie sich, dass der Ein-/Ausschalter auf OFF (Aus) steht.
5. Bei Bedarf kann das 918-I Dreibein-Untergestell am Boden verschraubt werden, um die Stabilität zu erhöhen. *Siehe Abbildung 1.*
6. Positionieren Sie den Fußschalter für den ordnungsgemäßen Betrieb wie in *Abbildung 16* gezeigt.
7. Vergewissern Sie sich, dass sich die Hydraulikpumpe in der Betriebsposition befindet.
8. Verlegen Sie das Netzkabel bei Ein-/Ausschalter in der Stellung OFF (Aus) entlang eines freien Weges. Stecken Sie das Netzkabel mit trockenen Händen in eine ordnungsgemäß geerdete Steckdose. Sorgen Sie dafür, dass sämtliche Anschlüsse trocken bleiben und sich nicht auf dem Boden befinden. Falls das Netzkabel nicht lang genug ist, verwenden Sie ein Verlängerungskabel, das:
 - In einwandfreiem Zustand ist.
 - Einen Schutzkontaktstecker besitzt wie am Rollnutgerät.
 - Für die Benutzung im Freien zugelassen ist und in der Kabelbezeichnung die Buchstaben W oder W-A enthält (z. B. SOW).
 - Einen ausreichenden Querschnitt hat. Für Verlängerungskabel bis 50' (15,2 m) Länge verwenden Sie mindestens 16 AWG (1,5 mm²). Für Verlängerungskabel mit 50'-100' (15,2–30,5 m) Länge verwenden Sie mindestens 14 AWG (2,5 mm²).
9. Überprüfen Sie das Gerät auf ordnungsgemäße Funktion. Mit den Händen in sicherer Entfernung zu drehenden Teilen:
 - Bringen Sie den Ein-/Ausschalter in die Stellung ON (Ein). Betätigen Sie den Fußschalter und geben Sie ihn wieder frei. Vergewissern Sie sich, dass sich die Nutrolle im Uhrzeigersinn dreht, wie am Aufkleber zur Rohrrotation am Nutgerät gezeigt. *Siehe Abbildung 12.* Lassen Sie das Gerät warten, falls sich die Nutrolle in die falsche Richtung dreht oder sich das Gerät nicht mit dem Fußschalter aus- und einschalten lässt.
 - Betätigen und halten Sie den Fußschalter. Überprüfen Sie die beweglichen Teile auf Fehlansichtung, Verklemmung, seltsame Geräusche oder andere ungewöhnliche Zustände, die den sicheren und normalen Betrieb des Geräts beeinträchtigen könnten. Wenn solche Bedingungen vorliegen, lassen Sie das Rollnutgerät warten.
 - Lassen Sie den Fußschalter los.
10. Bringen Sie den Ein-/Ausschalter in die Stellung OFF (Aus) und trennen Sie das Gerät mit trockenen Händen vom Netz.

Betrieb

⚠️ WARNUNG



Halten Sie Ihre Hände von den Nutrollen fern. Tragen Sie keine locker sitzenden Handschuhe. Finger können zwischen Nutrollen, Nutrolle und Rohr oder zwischen Rohr und Stabilisatorrad gequetscht werden.

Halten Sie Ihre Hände von den Rohrenden fern. Greifen Sie nicht in das Rohrinne. Berühren Sie während des Betriebs nicht die Nut. Grate und scharfe Kanten können Ihre Hände erfassen und schneiden. Finger können zwischen Nutrollen oder zwischen Nutrollen und Rohr gequetscht werden.

Entfernen Sie nicht die Schutzvorrichtungen. Betreiben Sie das Rollnutgerät nicht, wenn die Schutzvorrichtung entfernt ist. Der Kontakt mit Nutrollen kann zu einem Verfangen und schweren Verletzungen führen.

Nuten Sie nur Rohre, die mindestens 8 Zoll (200 mm) lang sind. Wenn Sie ein kürzeres als das angegebene Rohr nuten, kann dies zu einem Verfangen und Quetschungen führen.

Verwenden Sie dieses Rollnutgerät nicht ohne einen Fußschalter. Blockieren Sie den Fußschalter niemals in eingeschalteter Stellung (ON), sodass er die Maschine nicht mehr ordnungsgemäß steuert. Ein Fußschalter bietet bessere Kontrolle, da Sie den Motor der Maschine durch Entfernen des Fußes abschalten können. Wenn Sie sich verfangen und der Motor weiterhin mit Strom versorgt wird, werden Sie in die Maschine gezogen. Diese Maschine besitzt ein hohes Drehmoment und kann Kleidung so stark um einen Arm oder andere Körperteile schnüren, dass Knochen gequetscht oder gebrochen bzw. Stoß- und andere Verletzungen verursacht werden können.

Stellen Sie sicher, dass das Rollnutgerät, das Rohr und die Ständer stabil stehen. Stellen Sie sicher, dass das Rollnutgerät richtig aufgestellt und gesichert ist. Dadurch wird ein Umkippen des Geräts und des Rohrs verhindert. **Stützen Sie das Rohr korrekt ab.** Dadurch wird ein Umkippen des Rohrs und des Geräts verhindert.

Immer einen Augenschutz tragen. Tragen Sie Schuhe mit Stahlkappen, um sich vor kippenden Werkzeugen und herabfallenden Rohren zu schützen.

Richten Sie das Rollnutgerät gemäß dieser Anweisungen ein, um die Verletzungsgefahr durch Umkippen der Maschine, Verfangen, Schläge, Quetschungen und andere Ursachen zu vermeiden und um Schäden am Gerät zu verhindern.

Vergewissern Sie sich, dass das Gerät und der Arbeitsbereich richtig vorbereitet wurden und der Arbeitsbereich frei von

unbeteiligten Personen und anderen Hindernissen ist. Der Bediener sollte die einzige Person sein, die sich während des Betriebs der Maschine im Bereich befindet.

Vorbereitung der Rohre

HINWEIS Dies sind verallgemeinerte Anweisungen. Befolgen Sie stets die spezifischen Empfehlungen des Herstellers der Nutkupplung für die Vorbereitung der Rohrenden. Die Nichtbeachtung dieser Empfehlungen kann zu einem unsachgemäßen Anschluss führen und Lecks verursachen.

1. Beachten Sie die für das Nuten geltenden Rohrspezifikationen. Rohre, die nicht den Spezifikationen entsprechen, können Lecks und andere Probleme verursachen. Die Unrundheit der Rohre darf die Gesamtteranz für den Außendurchmesser nicht überschreiten, die in den *Standard-Rollnut-Spezifikationen, Tabelle II, aufgeführt ist.*
2. Schneiden Sie das Rohr auf die richtige Länge zu. Beachten Sie die Mindestrohrängen für das Nuten.
 - Rohre mit einem Durchmesser von 5 Zoll und kleiner sollten nicht kürzer als 8 Zoll (200 mm) sein.
 - Rohre mit einem Durchmesser von 6 bis 12 Zoll sollten nicht kürzer als 10 Zoll (250 mm) sein.
 Das Nuten kürzerer Rohre erhöht die Verletzungsgefahr durch gequetschte Finger und Verfangen.
3. Stellen Sie sicher, dass das Rohrende rechtwinklig und gratfrei geschnitten ist. Grate können beim Nuten Handschuhe oder Finger einklemmen oder schneiden. Das Abschneideverfahren und große Grate können die Qualität der hergestellten Nut und die Nachführung im Rollnutgerät beeinträchtigen. Versuchen Sie nicht, Rohre zu nuten, die mit einem Brenner geschnitten wurden.
4. Entfernen Sie alle inneren/äußeren Schweißperlen, Grate, Nähte, Kalkablagerungen, Schmutz, Rost und andere Verunreinigungen in einem Abstand von mindestens 2 Zoll vom Rohrende. Schneiden Sie keine Flächen in den Dichtungsbereich, dies könnte zu Lecks führen. Verunreinigungen können die Antriebsrändel verstopfen und das ordnungsgemäße Antreiben und Nachführen des Rohrs beim Nuten verhindern.

Vorschieben/Zurückfahren der Nutrolle

Die Bewegung der Nutrolle wird von der Hydraulikpumpe gesteuert.

- Um die Nutrolle vorzuschieben, bewegen Sie den Pumpengriff in die Vorschubposition und dann nach oben und unten.
- Um die Nutrolle zurückzufahren, bewegen Sie den Pumpengriff in die Zurückfahrposition. (Siehe Abbildung 9).

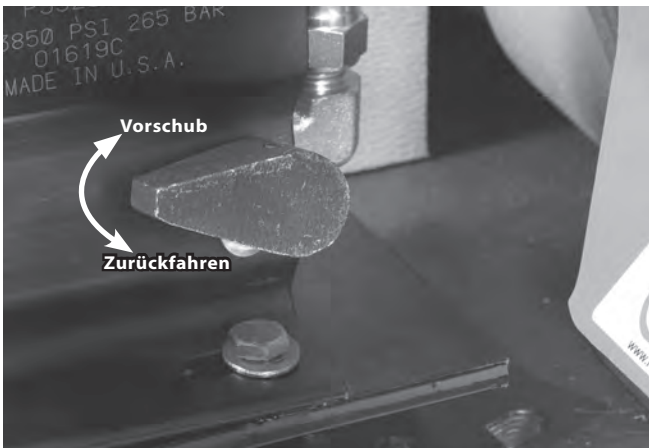


Abbildung 9 - Position des Pumpenfreigabe-Hebels

Einlegen eines Rohrs in das Rollnutgerät

1. Vergewissern Sie sich, dass der Schalter auf OFF (Aus) steht.
2. Fahren Sie die Nutrolle vollständig zurück.
3. Zum Stützen des Rohrs müssen geeignete Rohrstützer verfügbar sein. Stellen Sie die Höhe der Rohrstützer so ein, dass das Rohr waagrecht liegt und der obere Innendurchmesser des Rohrs auf der Antriebsrolle sitzt (siehe *Abbildung 10*).

Stellen Sie die Rohrstützer direkt vor dem Rollnutgerät auf. Die Platzierung des Rohrstützers hängt von der Rohrlänge ab.

Kürzere Rohre (siehe *Diagramm A*) werden von der Antriebswelle und mindestens einem Ständer getragen. In diesem Fall sollte der Ständer etwas mehr als die halbe Rohrlänge vom Rollnutgerät entfernt aufgestellt werden.

Nenn-größe	Min. Länge	Max. Länge	Nenn-größe	Min. Länge	Max. Länge
1	8	36	4	8	36
1¼	8	36	4½	8	32
1½	8	36	5	8	32
2	8	36	6 A.D.	10	30
2½	8	36	6	10	28
3	8	36	8	10	24
3½	8	36	10	10	24
4	8	36	12	10	24

Tabelle A - Minimale/maximale Rohrlänge, die mit einem Ständer genutzt werden kann (in Zoll)

Für längere Rohre sollten mindestens zwei Ständer verwendet werden, wobei die beiden Ständer etwa ¼ der Rohrlänge von den Rohrenden entfernt platziert werden. Wenn Sie das Rohr nicht ordnungsgemäß abstützen, kann das Rohr bzw.

das Rohr und die Maschine kippen und herunterfallen. Verwenden Sie immer einen Rohrstützer - er hilft, das Rohr auszurichten und die richtige Nachführung zu halten.

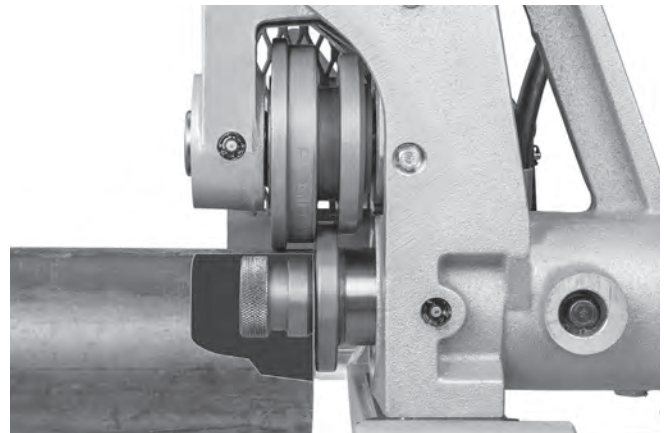


Abbildung 10 – Auflegen des Rohrs über die Antriebswelle, bündig mit dem Antriebswellenflansch (Stabilisator zur Verdeutlichung nicht abgebildet)

4. Legen Sie das Rohr auf den/die Ständer, wobei das Rohrende bündig mit dem Antriebswellenflansch abschließt und die Innenseite des Rohrs die Oberseite der Antriebswelle berührt (*Abbildung 10*). Vergewissern Sie sich, dass das Rohr stabil und sicher liegt.



Abbildung 11 - Rohr nivellieren

5. Schieben Sie die Nutrolle vor, bis sie das Rohr berührt und leicht ergreift (treiben Sie die Nutrolle nicht in das Rohr).
6. Vergewissern Sie sich, dass das Rohr richtig positioniert ist. Wenn das Rohr nicht richtig positioniert ist, wird die Nut möglicherweise nicht richtig geführt.
 - Das Rohrende muss bündig am Antriebswellenflansch anliegen.
 - Die Mittellinie des Rohrs und die Mittellinie der Antriebswelle müssen parallel zueinander verlaufen. Dies kann mit einer Wasserwaage auf der Oberseite des Hydraulikzylinders und auf dem Rohr überprüft werden. *Siehe Abbildung 11.*

- Das Rollnutgerät / die Maschine muss fest auf dem Boden stehen. Wenn sich die Maschine vom Boden abhebt, ist/sind der/die Rohrständer nicht richtig eingestellt und müssen eingestellt werden.
7. Versetzen Sie Rohr und Rohrständer etwa 1/2 Grad (etwa 1 Zoll auf 10 Fuß vom Rollnutgerät) zum Bediener hin. Die korrekte Ausrichtung des Rohrs und des Rollnutgeräts hilft, die richtige Nachführung des Rohrs während des Nutens sicherzustellen (siehe Abbildung 12). Dies ist der richtige Versatz für das Nuten und funktioniert mit dem Stabilisator.

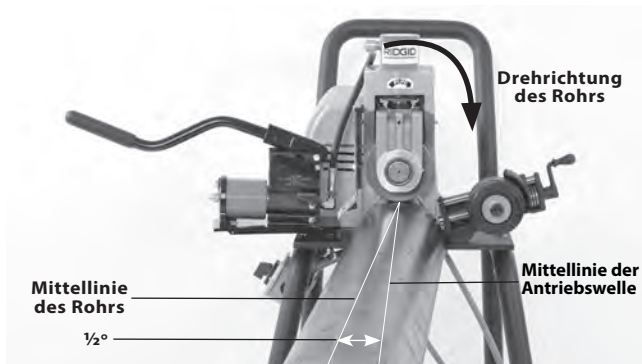


Abbildung 12 – Versetzen des Rohrs um 1/2°, (übertriebene Darstellung)

8. Beschränken Sie den Zugang zum Arbeitsbereich oder stellen Sie Aufsichtspersonen oder Absperrungen auf, um einen Mindestsicherheitsbereich von 3 Fuß (1 m) um Ausrüstung und Rohr zu errichten. Dadurch wird verhindert, dass Unbeteiligte mit dem Gerät oder Rohr in Berührung kommen, und die Gefahr eines Umkippens oder Verfangens wird gemindert.
9. Schließen Sie das Gerät mit trockenen Händen an eine ordnungsgemäß geerdete Steckdose an.

Einstellung/Justierung des Nutdurchmessers

HINWEIS Aufgrund der unterschiedlichen Rohreigenschaften sollte immer eine Testnut vor der ersten Nut des Tages oder beim Wechsel der Rohrgröße, des Schedule, des Materials oder der Charge geschnitten werden, um das Risiko von außerhalb der Toleranz liegenden Nuten zu verringern. Der Nutdurchmesser muss gemessen werden, um die richtige Größe zu bestätigen.

1. Vergewissern Sie sich, dass das Gerät ordnungsgemäß aufgestellt und das Rohr ordnungsgemäß vorbereitet und geladen ist. Unsachgemäßes Einrichten und Vorbereiten kann die Genauigkeit des Nutdurchmessers beeinträchtigen.
2. Die Nutrolle sollte leicht in das Rohr greifen. Falls erforderlich, schieben Sie die Nutrolle so weit vor, dass sie das Rohr gerade berührt und leicht greift - sie darf keine Vertiefung im Rohr hinterlassen, wenden Sie keinen übermäßigen Druck an.

3. Drehen Sie die Tiefeneinstellmutter, bis sie am Hauptgehäuse anliegt.
4. Drehen Sie die Tiefeneinstellmutter eine Umdrehung zurück (Abbildung 13).



Abbildung 13 - Einstellung der Tiefeneinstellmutter

5. Schneiden Sie eine Testnut.
6. Prüfen/messen Sie die Testnut. Wenn der Nutdurchmesser nicht den Spezifikationen entspricht, muss die Tiefeneinstellmutter neu positioniert werden, um den richtigen Nutdurchmesser zu erhalten. Siehe Abbildung 13.
 - Um den Nutdurchmesser zu vergrößern (flachere Nut), drehen Sie die Tiefeneinstellmutter im Uhrzeigersinn.
 - Um den Nutdurchmesser zu verringern (tiefere Nut), drehen Sie die Tiefeneinstellmutter gegen den Uhrzeigersinn.
 - Mit jeder 1/4 Umdrehung der Tiefeneinstellmutter wird der Nutdurchmesser um ca. 0.025 Zoll (0,6 mm) geändert. Das Drehen der Mutter um eine Markierung am Umfang ändert den Nutdurchmesser um ca. 0.002 Zoll (0,05 mm).
7. Wiederholen Sie die Schritte 4 bis 6, bis der Nutdurchmesser innerhalb der Spezifikationen liegt. Wenn die Nut zu groß ist, kann das Rollnutgerät eingestellt und die Nut kleiner ausgeführt werden. Wenn die Nut zu klein ist, muss eine weitere Nut angefertigt werden. Der richtige Nutdurchmesser ist wichtig, um die Leistung der Verbindung sicherzustellen. Außerhalb der Spezifikation liegende Nuten können zum Versagen der Verbindung führen.

Stabilisatorbetrieb

Mit dem Stabilisator wird eine leichte Kraft auf ein 2 1/2-Zoll- bis 12-Zoll-Rohr ausgeübt, um die Nachführung zu verbessern. Er ist besonders für kurze Rohrstücke nützlich, kann aber für alle Rohrlängen verwendet werden. Der Stabilisator reduziert auch das Schwanken von längeren Rohren mit größerem Durchmesser.

1. Richten Sie das Gerät ordnungsgemäß ein und laden Sie das Rohr.
2. Stellen Sie den Nutdurchmesser ein.
3. Drehen Sie den Kurbelgriff am Stabilisator, bis das Rollgerät mit dem Rohr in Kontakt ist. Drehen Sie den Kurbelgriff 1 (eine) weitere Umdrehung, um das Rollgerät am Rohr vorzuspannen (Abbildung 14). Greifen Sie nicht über das Rohr, um den Stabilisator einzustellen.
4. Nuten Sie das Rohr. Halten Sie während des Nutens die Hände von den Nutrollen, dem Stabilisatorrad und dem Rohrende fern. Nuten Sie das Rohr nicht kürzer als angegeben, greifen Sie nicht in das Rohr hinein und berühren Sie nicht die Nut. Dadurch wird die Gefahr von Quetschverletzungen reduziert.

Wenn das Rohr während des Nutens nicht richtig geführt wird, geben Sie den Fußschalter frei und stoppen Sie das Nuten. Richten Sie eine neue Nut ein und drehen Sie den Kurbelgriff um eine weitere halbe ($\frac{1}{2}$) Umdrehung, um die Vorspannung zu erhöhen. Verwenden Sie keine übermäßige Vorspannung. Dadurch kann die Rolle beschädigt werden.

Ist der Stabilisator einmal für eine bestimmte Größe und einen bestimmten Materialtyp eingestellt, muss er in der Regel beim Be- und Entladen von Rohren nicht mehr nachjustiert oder zurückgesetzt werden.

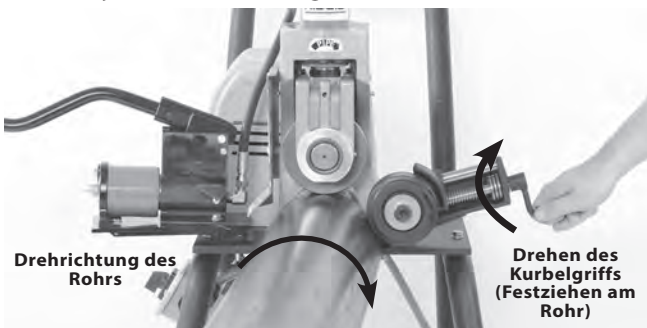


Abbildung 14 – Versetzen des Rohrs um $\frac{1}{2}^\circ$ (übertriebene Darstellung)

Nutschneiden

1. Vergewissern Sie sich, dass das Gerät richtig aufgestellt ist und das Rohr ordnungsgemäß vorbereitet und geladen ist. Nuten Sie keine Rohre, die kürzer als 8 Zoll sind.
2. Stellen Sie den Nutdurchmesser ein.
3. Stellen Sie bei Bedarf die Position des Stabilisators ein.
4. Stellen Sie sich so, dass Sie Maschine und Rohr kontrollieren können (siehe Abbildung 15).
 - Stellen Sie sich mit Blick auf das Rollnutgerät auf der Seite des Ein-/Ausschalters, sodass Sie bequemen Zugang zum Schalter, Pumpengriff und Rohr haben. Ihre linke Hand befindet sich am Pumpengriff und Ihre

rechte Hand ist frei vom Rohr, es sei denn, Sie üben eine leichte Kraft auf das Rohr aus, um die Nachführung beizubehalten (siehe Abschnitt „Tipps zur Nachführung“).

- Achten Sie darauf, dass Sie den Fußschalter betätigen können. Treten Sie noch nicht auf den Fußschalter. Im Notfall müssen Sie in der Lage sein, den Fußschalter loszulassen.
- Achten Sie auf gutes Gleichgewicht und vermeiden Sie es, sich weit in eine Richtung beugen zu müssen.



Abbildung 15 - Die richtige Position für die Handhabung

5. Bringen Sie den Ein-/Ausschalter in die Stellung ON (Ein).
6. Führen Sie etwa einen Viertelhub des Pumpengriffs aus, um die Nutrolle gegen das Rohr zu drücken.
7. Betätigen Sie den Fußschalter. Das Rohr beginnt sich zu drehen. Lassen Sie zwischen den Viertelhuben des Pumpengriffs eine volle Rohrdrehung zu. Schieben Sie die Nutrolle nicht zu aggressiv vor - dies kann dazu führen, dass sich das Rohr spiralförmig aus dem Rollensatz herausdreht und eine schlechte Nutform aufweist. Halten Sie Ihre Hände vom Nutsatz, dem Rohrende und dem Stabilisatorrad fern. Greifen Sie nicht in das Innere des Rohrs und berühren Sie nicht die Nut.

Überwachen Sie das Rohr, während es genutet wird. Das Rohrende sollte in Kontakt mit dem Flansch der Antriebswelle bleiben, und das Rohr sollte in Position bleiben. Wenn das Rohr beginnt, sich aus der Position zu bewegen, geben Sie den Fußschalter frei und stoppen Sie das Nuten. Halten Sie Ihren Körper entfernt, falls das Rohr aus dem Griff des Rollensatzes kommt. Wenn das Rohr anfängt, aus der Position zu kommen, stoppen Sie das Nuten und überprüfen Sie die Einstellung. Wenn das Rohrende beschädigt ist, muss eine neue Nut vorbereitet werden.

Führen Sie weiterhin bei jeder Rohrumdrehung einen Viertelhub des Pumpengriffs aus.

Bei der Verwendung des 1-Zoll-Rollensatzes ist es besonders wichtig, keine übermäßige Kraft anzuwenden (falsche Einstellung des Nutdurchmessers, unterdimensionierte Nuten, mehr als ein Viertelhub des Pumpengriffs pro Umdrehung). Dies kann die 1-Zoll-Antriebsrolle beschädigen.

8. Wenn die Tiefeneinstellmutter die Oberseite der Nut berührt, lassen Sie das Rohr mindestens zwei weitere volle Umdrehungen drehen, um eine gleichmäßige Nuttiefe zu gewährleisten.
9. Nehmen Sie den Fuß vom Fußschalter.
10. Bringen Sie den Ein-/Ausschalter in die Stellung OFF (Aus).
11. Ziehen Sie die Nutrolle zurück und entfernen Sie das Rohr aus der Nutrolle.
12. Prüfen und messen Sie die Nut.

Tipps zur Nachführung

Ein typisches Problem beim Rollnuten ist, dass das Rohr „spiralförmig“ von der Antriebswelle „abläuft“ oder nicht richtig „nachläuft“.

Für eine gute Nachführung ist es wichtig, dass alle Anweisungen befolgt werden. Wenn das Rohr auch nach Befolgung aller Anweisungen nicht richtig nachgeführt wird, gibt es andere Möglichkeiten, die Nachführung zu verbessern.

- Erhöhen Sie etwas den Versatz des Rohrs (Erhöhung von $\frac{1}{2}$ Grad auf 1 Grad). *Siehe Abbildung 12.*
- Ziehen Sie zusätzlich eine $\frac{1}{2}$ Umdrehung am Kurbelgriff des Stabilisators an.
- Der Bediener muss möglicherweise während des Nutens leichte Kraft auf das Rohr ausüben, um die Nachführung zu halten. Dies ist normalerweise nur bei kürzeren Rohrstücken erforderlich, wenn der Stabilisator nicht verwendet wird. Dazu sollte der Bediener einen Lederhandschuh in gutem Zustand tragen und seine Hand um das Rohr legen, wie in *Abbildung 16* gezeigt, um das Rohr leicht zu sich heranzuziehen. Dies kann erfordern, dass das Untergestell am Boden befestigt wird, um Bewegungen während des Nutens zu verhindern. Um die Gefahr von Quetsch- und Schnittverletzungen zu verringern, halten Sie die Hand von der Nutrolle und den Rohrenden fern, nutzen Sie das Rohr nicht kürzer als empfohlen und greifen Sie nicht in das Rohr hinein oder berühren Sie die Nut.



Abbildung 16 – Ausüben von Druck am Rohr

Prüfen/messen der Nut

1. Prüfen Sie die Nut.
 - Stellen Sie sicher, dass alle Eigenschaften vorhanden und vollständig ausgebildet sind. *Siehe Tabelle II und Abbildung 17.*
 - Messen Sie den Nutdurchmesser und stellen Sie sicher, dass er innerhalb der Spezifikation liegt.
 - Prüfen Sie alle anderen vom Fitting-Hersteller geforderten Punkte.
 - Prüfen Sie das System entsprechend den gesetzlichen Richtlinien und üblichen Verfahren.

Bei Problemen kann die Nut nicht verwendet werden. Der richtige Nutdurchmesser ist wichtig, um die Leistung der Verbindung sicherzustellen. Außerhalb der Spezifikation liegende Nuten können zum Versagen der Verbindung führen.
2. Messen Sie den Nutdurchmesser mit einem Maßband (*siehe Abschnitt „Optionale Ausrüstung“*). Wickeln Sie das Maßband in der Nut enganliegend um das Rohr. Achten Sie darauf, dass das Maßband flach am Boden der Nut aufliegt, und lesen Sie den Nutdurchmesser ab (*siehe Abbildung 17*). Vergleichen Sie den gemessenen Nutdurchmesser mit dem erforderlichen Nutdurchmesser laut Tabelle II oder III bzw. gemäß den Angaben des Fitting-Herstellers.



Abbildung 17 - Prüfen des Nutdurchmessers mit einem Durchmesserband

Vorbereitung der Maschine für den Transport

1. Vergewissern Sie sich, dass sich der Ein-/Ausshalter in der Stellung OFF (Aus) befindet und das Netzkabel aus der Steckdose gezogen wurde.
2. Reinigen Sie das Gerät. Nehmen Sie sämtliche lose Ausrüstung und loses Material von Maschine und Untergestell bzw. sichern Sie diese vor dem Transport, um ein Umfallen oder Kippen zu verhindern.
3. Lösen Sie die Flügelmutter der Hydraulikpumpe, bringen Sie die Pumpe in die innerste Position und ziehen Sie die Flügelmutter wieder fest. (Siehe Abbildung 6).
4. Rollen Sie das Netzkabel und das Kabel des Fußschalters auf.
5. Vorsichtig heben und bewegen. Beachten Sie das Gewicht der Maschine.

Aufbewahrung

⚠️ WARNUNG Das 918-I Rollnutgerät muss bei regnerischer Witterung in Räumen oder gut abgedeckt gelagert werden. Lagern Sie die Maschine in einem abgeschlossenen Bereich außer Reichweite von Kindern und Personen, die mit Rollnutgeräten nicht vertraut sind. Wenn diese Maschine in die Hände von nicht geschulten Benutzern gelangt, kann sie schwere Verletzungen verursachen.

Wartungsanweisungen

⚠️ WARNUNG

Vergewissern Sie sich, dass der Ein-/Ausshalter in der Stellung OFF (Aus) steht und das Netzkabel des Geräts abgezogen wurde, bevor Sie eine Wartung durchführen oder Einstellungen vornehmen.

Warten Sie das 918-I Rollnutgerät gemäß diesen Verfahren, um die Verletzungsgefahr zu verringern.

Reinigung

Verwenden Sie ein weiches, feuchtes Tuch zum Reinigen des Rollnutgeräts.

Reinigen Sie die Rändelungen der Antriebsrollen vor dem Einsatz mit einer Drahtbürste und bei Bedarf während des Betriebs. Reinigen Sie beim Nuten von Edelstahlrohren den gesamten Rollensatz gründlich mit einer Edelstahldrahtbürste.

Schmierung

Schmieren Sie das Rollnutgerät monatlich (oder bei Bedarf öfter) mit einem Allzweckfett auf Lithiumbasis. Schmieren Sie das Rollnutgerät immer nach einem Rollensatzwechsel.

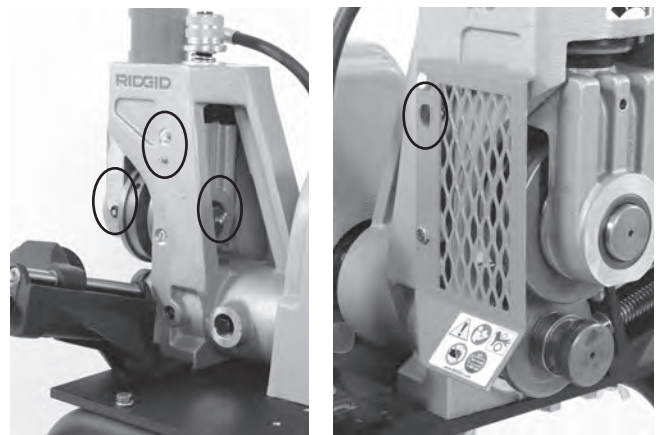


Abbildung 18 - Schmiernippel

- Schmieren Sie das Rollnutgerät an den Schmiernippeln (siehe Abbildung 18). Fügen Sie Fett hinzu, bis eine kleine Menge herausgedrückt wird.
- Tragen Sie ein leichtes Schmieröl auf die Drehpunkte und Bereiche der Relativbewegung auf, wie z. B. die Tiefeneinstellmutter und die Vorschubschraube des Stabilisators. Wischen Sie überschüssiges Schmiermittel von den freiliegenden Oberflächen ab.

Das Getriebe des Rollnutgeräts ist als versiegeltes System ausgeführt und bedarf keiner zusätzlichen Schmierung, sofern kein deutlicher Verlust an Schmierfett aufgetreten ist. In einem solchen Fall muss das Gerät in ein Servicecenter gebracht werden.

Hydraulikflüssigkeitsstand

Entfernen Sie den Einfülldeckel des Behälters (Abbildung 19). Der Ölstand sollte bis zur Fülllinie reichen, wenn die Pumpe auf ihrem Sockel steht und der Stößel vollständig eingefahren ist. Verwenden Sie nur ISO 15 Hydrauliköl.

Einmal im Jahr sowie bei starker Beanspruchung oder Einsatz in staubiger Umgebung auch öfter sollte das Hydrauliköl gewechselt werden. Um Öl abzulassen, entfernen Sie den Einfülldeckel des Behälters und lassen Sie das Öl in einen Behälter ab. Entsorgen Sie das gebrauchte Hydrauliköl ordnungsgemäß gemäß dem Sicherheitsdatenblatt (SDS) und den örtlichen Vorschriften.

Das Hydrauliksystem muss nach einem Ölwechsel möglicherweise entlüftet werden. Um das Hydrauliksystem zu entlüften, kippen Sie die Maschine auf die Seite und positionieren Sie den Zylinder tiefer als die Pumpe. Fahren Sie den Zylinderkolben mehrmals aus und zurück, damit die Luft in den Pumpenspeicher zurück fließen kann.



Abbildung 19 - Einfülldeckel des Behälters

Wechseln von Rollensätzen

HINWEIS Achten Sie beim Wechsel des Rollensatzes immer darauf, dass die Markierungen von Antriebsrolle und Nutrolle übereinstimmen. Falsch zusammengesetzte Teile können falsche Nuten bilden und Lecks verursachen. Wechseln Sie die Rollen immer im Satz. Vermischen Sie keine Rollen verschiedener Sätze.

Stützen Sie die Rollen und Wellen während des Wechsels ordnungsgemäß ab.

Wechseln der Nutrolle:

1. Fahren Sie die Nutrolle vollständig zurück.
2. Fahren Sie das Stabilisatorrad vollständig ein.
3. Lösen Sie die Nutrollen-Einstellschraube (Abbildung 20). Greifen Sie die Nutrolle und entfernen Sie die obere Welle und die Nutrolle vom Rollnutgerät (Abbildung 21).
4. Nach dem Wechsel der Antriebswelle/Antriebsrolle gehen Sie beim Einbau in umgekehrter Reihenfolge vor. Stellen Sie sicher, dass die Teile sauber sind, damit kein Schmutz in die Lager gelangt. Schmieren Sie die Lager vor der Verwendung.



Abbildung 20 - Lösen der Stellschraube der Nutrolle

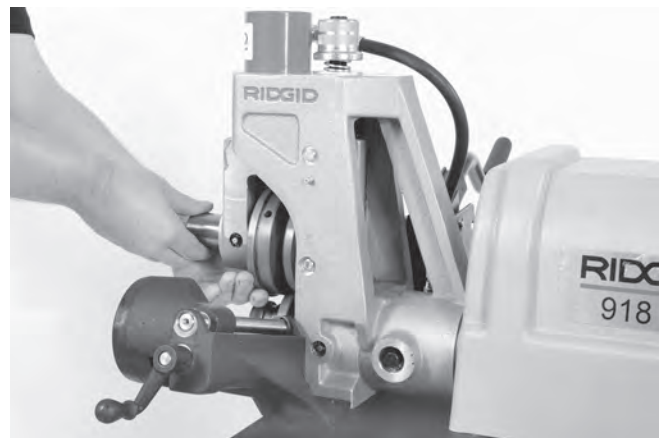


Abbildung 21 - Haltewelle und Nutrolle ausbauen

Wechseln der Antriebswelle/Antriebsrolle:

Das 918-I hat zwei Arten von Antriebswellen. Eine einteilige Antriebswelle (wird bei den Größen 2 bis 6 Zoll und 8 bis 12 Zoll verwendet) und eine zweiteilige Welle, bestehend aus Antriebswelle und austauschbarer Antriebsrolle (wird bei den Größen 1 Zoll, 1¼ Zoll bis 1½ Zoll und 2 bis 6 Zoll Kupfer verwendet). (Siehe Abbildung 22).

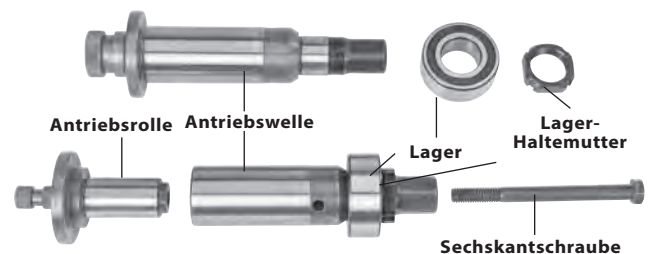


Abbildung 22 - Einteilige Antriebswelle (oben), zweiteilige Antriebswelle (unten)

Wechseln der Antriebswelle

1. Lösen Sie die zwei Schrauben an der Vorderseite der Getriebekupplung mit einem $\frac{3}{16}$ -Zoll-Sechskantschlüssel (Abbildung 23).

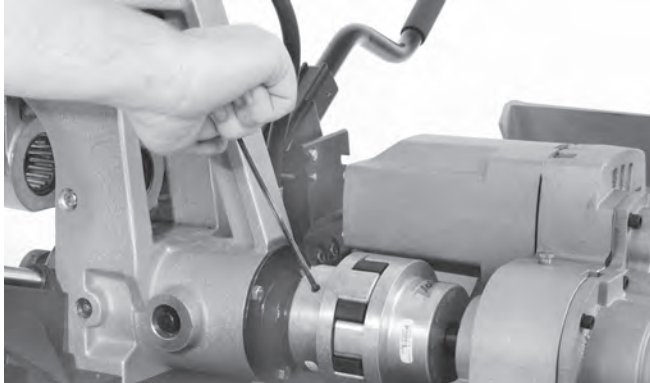


Abbildung 23 – Lösen der zwei Schrauben an der Getriebekupplung

2. Entfernen Sie die Haltemutter des Antriebswellenlagers mit dem Kamerakopf-Schlüssel.

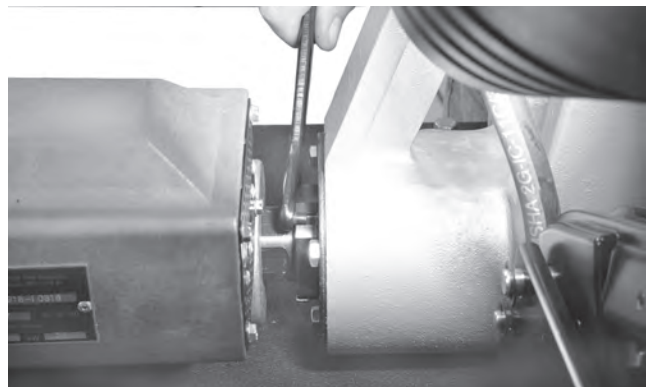


Abbildung 24 – Lösen und Entfernen der Haltemutter der Antriebswelle

3. Entfernen Sie die Antriebswelle von der Vorderseite des Rollnutgeräts (Abbildung 25).
4. Führen Sie eine neue Antriebswelle durch das Gehäuse und montieren Sie die Welle mit der Antriebswellenlager-Haltemutter (Schrift nach außen zeigend). Richten Sie dabei den Sechskantschlüssel an der Öffnung in der Kupplung aus. Stellen Sie sicher, dass die Teile sauber sind, damit kein Schmutz in die Lager gelangt. Schmieren Sie die Lager vor der Verwendung.
5. Ziehen Sie die Haltemutter des Antriebswellenlagers mit dem Kamerakopf-Schlüssel fest.
6. Ziehen Sie Getriebekupplungs-Einstellschrauben fest.
7. Schließen und befestigen Sie den Getriebedeckel.

Wechseln der Antriebsrolle (zweiteilige Antriebswellen)

1. Entfernen Sie die Nutrolle.
2. Schwenken Sie den Getriebedeckel auf.
3. Lösen Sie die zwei Schrauben an der Vorderseite der Getriebekupplung mit einem $\frac{3}{16}$ -Zoll-Sechskantschlüssel (Abbildung 23).
4. Entfernen Sie die Haltemutter des Antriebswellenlagers mit dem Kamerakopf-Schlüssel (Abbildung 24).
5. Ziehen Sie den Antriebswellenzusammenbau nach vorne. Entfernen Sie die vordere Kupplungshälfte und die Haltemutter des Antriebswellenlagers. Setzen Sie die Antriebswelle wieder ein.
6. Lösen Sie den Zugbolzen mit dem $\frac{15}{16}$ -Zoll-Einsatz im Steckschlüssel (Abbildung 26).
7. Klopfen Sie mit einem Schonhammer auf den Kopf des Zugbolzens, um die Antriebsrolle von der Antriebswelle zu lösen.
8. Lösen Sie den Zugbolzen von der Antriebsrolle und entfernen Sie dann die Antriebsrolle von der Vorderseite des Rollnutgeräts.
9. Montieren Sie eine neue Antriebsrolle. Setzen Sie den Zugbolzen ein und ziehen Sie ihn handfest an.
10. Drehen Sie den Zusammenbau Antriebswelle/Antriebsrolle von Hand und üben Sie dabei Druck auf den Spindelverriegelungsstift aus, bis der Verriegelungsstift in die Spindelverriegelung der Antriebswelle eingreift.
11. Verwenden Sie bei eingerasteter Spindelverriegelung den $\frac{15}{16}$ -Zoll-Ringschlüssel, um den Zugbolzen anzuziehen.
12. Entspannen Sie den Spindelverriegelungsstift, sodass er sich zurückziehen kann.
13. Ziehen Sie den Antriebswellenzusammenbau nach vorne. Setzen Sie die vordere Kupplungshälfte auf die hintere Hälfte. Führen Sie den Antriebswellenzusammenbau durch die Lager-Haltemutter ein und richten Sie dabei den Sechskantschlüssel an der Öffnung in der Kupplung aus.
14. Ziehen Sie die Haltemutter des Antriebswellenlagers mit dem Kamerakopf-Schlüssel fest.
15. Ziehen Sie Getriebekupplungs-Einstellschrauben fest.
16. Schließen Sie den Getriebedeckel.

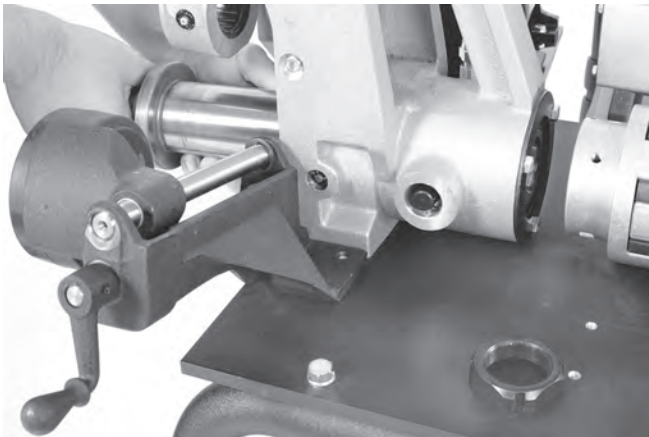


Abbildung 25 – Ausbau des Antriebswellenzusammenbaus

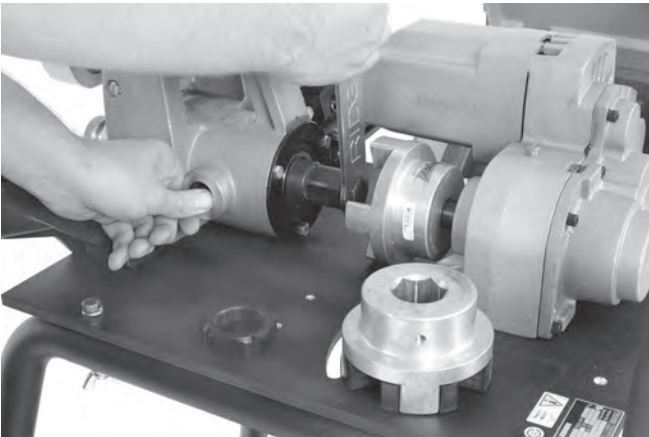


Abbildung 26 – Ausbau des Zugbolzens

Wechseln der einteiligen Antriebswelle gegen die zweiteilige Antriebswelle:

1. Entfernen Sie die einteilige Antriebswelle.
2. Entfernen Sie die vordere Kupplungshälfte.
3. Montieren Sie die richtige Antriebsrolle an der Antriebswelle (zweiteilige Ausführung) und ziehen Sie den Zugbolzen handfest an.
4. Setzen Sie den zweiteiligen Antriebswellenzusammenbau in das Nutgerät ein.
5. Verwenden Sie bei eingerasteter Spindelverriegelung den $\frac{15}{16}$ -Zoll-Ringschlüssel, um den Zugbolzen anzuziehen.
6. Entspannen Sie den Spindelverriegelungstift, sodass er sich zurückziehen kann.
7. Ziehen Sie den Antriebswellenzusammenbau nach vorne. Setzen Sie die vordere Kupplungshälfte auf die hintere Hälfte. Führen Sie den Antriebswellenzusammenbau durch die Lager-Haltemutter ein und richten Sie dabei den Sechskantschlüssel an der Öffnung in der Kupplung aus.
8. Ziehen Sie die Haltemutter des Antriebswellenlagers mit dem Kamerakopf-Schlüssel fest.

9. Ziehen Sie Getriebekupplungs-Einstellschraube fest.
10. Schließen und befestigen Sie den Getriebedeckel.

Ersetzen der Kohlebürsten

Überprüfen Sie die Motorbürsten alle 6 Monate. Ersetzen Sie die Bürsten, wenn Sie auf weniger als $\frac{1}{2}$ Zoll abgenutzt sind.

1. Schwenken Sie den Getriebedeckel auf.
2. Entfernen Sie die vier Befestigungsschrauben der Motorabdeckung und entfernen Sie dann das Hinterteil der Motorabdeckung.
3. Ziehen Sie die Motorbürsten mit einer Zange gerade heraus. Trennen Sie den Stecker. (Siehe Abbildung 27.)

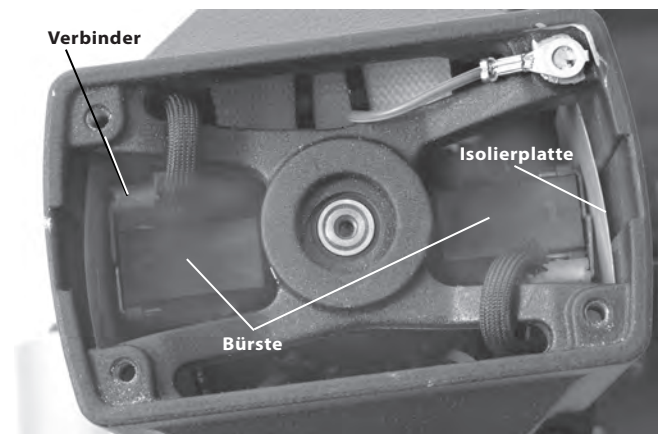


Abbildung 27 – Ersetzen der Bürsten – Ausbau der Motorabdeckung

4. Überprüfen Sie den Kollektor auf Verschleiß. Lassen Sie bei übermäßigem Verschleiß das Werkzeug warten.
5. Drücken Sie die Bürste in den Halter und setzen Sie ihn in das Motorgehäuse ein. Überprüfen Sie, ob die Isolierplatten richtig zwischen dem Bürstenhalter und dem Gehäuse liegen. Verbinden Sie den Stecker und setzen Sie die Motorabdeckung wieder an.
6. Bauen Sie die Einheit wieder zusammen. Montieren Sie vor dem Betrieb der Maschine sämtliche Abdeckungen.

Fehlerbehebung

PROBLEM	MÖGLICHE URSACHEN	LÖSUNG
Nut zu eng oder zu breit.	Falsche Nutrolle und Antriebswelle/ Antriebsrolle. Nutrolle und/oder Antriebswelle/ Antriebsrolle verschlissen. Nutrolle und Antriebswelle/ Antriebsrolle passen nicht zueinander.	Richtige Nutrolle und Antriebswelle/ Antriebsrolle montieren. Nutrolle und/oder Antriebswelle/ Antriebsrolle ersetzen. Montieren Sie den passenden Rollensatz.
Rollennut nicht senkrecht zur Rohrachse.	Rohrlänge nicht gerade. Rohrende nicht rechtwinklig.	Verwenden Sie gerade Rohre. Schneiden Sie das Rohrende rechtwinklig ab.
Schlechte Rohrführung beim Nuten/Nutgerät führt Rohr nicht beim Nuten.	Rohr und Antriebswelle liegen nicht parallel. Die Rohrachse ist nicht ½ Grad von der Antriebswellenachse versetzt. ½ Grad Versatz ist nicht ausreichend. Antriebswelle/Rändelungen der Antriebsrolle verstopft oder verschlissen. Die Innenseite des Rohrs hat zu viele Kalkablagerungen. Überschüssige Schweißnaht. Stabilisator wird nicht verwendet/ist nicht richtig eingestellt. Rohrende nicht rechtwinklig/entgratet.	Stellen Sie den Ständer so ein, dass das Rohr parallel läuft. Versetzen Sie das Rohr um ½ Grad. Versetzen Sie das Rohr etwas mehr. Reinigen oder wechseln Sie die Antriebswelle/-rolle. Reinigen Sie das Innere des Rohrs. Schleifen Sie die Schweißnaht bündig 2 Zoll vom Ende des Rohres. Stellen Sie den Stabilisator ein. Üben Sie Druck auf das Rohr aus (<i>siehe Abbildung 14</i>). Bereiten Sie das Rohrende ordnungsgemäß vor.
Rohr am genuteten Ende aufgeweitet.	Rohr und Antriebswelle liegen nicht parallel Der Bediener fährt die Nutrolle zu schnell vor. Das Rohr ist zu hart. Stabilisator ist zu fest.	Stellen Sie den Ständer so ein, dass das Rohr parallel läuft. Langsames Pumpen. (<i>Siehe Betriebsanweisungen.</i>) Ersetzen Sie das Rohr. Stellen Sie den Stabilisator ein.
Das Rohr driftet während des Nutens auf der Achse der Antriebswelle hin und her.	Rohrlänge nicht gerade. Rohrende nicht rechtwinklig.	Verwenden Sie gerade Rohre. Schneiden Sie das Rohrende rechtwinklig ab.
Das Rohr schaukelt von Seite zu Seite.	Der Rohrständer ist zu nahe am Rohrende. Das Rohrende ist abgeflacht oder beschädigt. Harte Stellen im Rohrmaterial oder Schweißnähte, die härter als das Rohr sind. Vorschubgeschwindigkeit der Nutrolle zu langsam. Rohrständer stehen nicht an der richtigen Stelle.	Den Rohrständer einschieben, um die Aufstellungsanweisungen zu erfüllen. Schneiden Sie das beschädigte Rohrende ab. Verwenden Sie ein anderes Rohr. Führen Sie die Nutrolle schneller in das Rohr ein. Positionieren Sie die Rohrständerrollen richtig.

Fehlerbehebung (Fortsetzung)

PROBLEM	MÖGLICHE URSACHEN	LÖSUNG
Das Rollnutgerät rollt keine Nut in das Rohr.	Die Maximale Rohrwandstärke wurde überschritten. Der Werkstoff ist zu hart. Die Einstellmutter ist nicht eingestellt. Falscher Rollensatz.	Prüfen Sie die Rohrkapazitätstabelle. Ersetzen Sie das Rohr. Stellen Sie die Tiefe ein. Montieren Sie den richtigen Rollensatz.
Das Rollnutgerät nutet die Nute nicht auf den erforderlichen Durchmesser.	Maximale Toleranz des Rohrdurchmessers überschritten. Tiefeneinstellmutter nicht korrekt eingestellt. Das Rohr ist zu hart.	Verwenden Sie den richtigen Rohrdurchmesser. Passen Sie die Tiefeneinstellung an. Verwenden Sie ein anderes Rohr.
Das Rohr rutscht auf der Antriebsrolle.	Vorschubgeschwindigkeit der Nutrolle zu langsam. Die Rändelungen der Antriebswelle ist mit Metall verstopft oder flach verschlissen.	Führen Sie die Nutrolle schneller in das Rohr ein. Reinigen oder wechseln Sie die Antriebswelle aus.
Rohr hebt sich oder neigt dazu, das Nutgerät nach hinten zu kippen.	Rohrständer nicht richtig eingestellt.	Stellen Sie die Ständer richtig auf.
Pumpe liefert kein Öl, Zylinder wird nicht vorgeschoben.	Pumpenablassventil geöffnet. Zu wenig Öl im Vorratsbehälter. Verschmutzung im Pumpengehäuse. Sitze sind verschlissen oder sitzen nicht. Zu viel Öl im Vorratsbehälter.	Schließen Sie das Ablassventil. Prüfen Sie den Ölstand gemäß den Anweisungen. Lassen Sie das Gerät von einem qualifizierten Techniker warten. Lassen Sie das Gerät von einem qualifizierten Techniker warten. Prüfen Sie den Ölstand gemäß den Anweisungen.
Pumpengriff funktioniert nicht richtig.	Luft ist im System eingeschlossen. Zu viel Öl im Vorratsbehälter.	Entlüften Sie das Hydrauliksystem gemäß den Anweisungen. Prüfen Sie den Ölstand gemäß den Anweisungen.
Zylinder fährt nur teilweise aus.	Der Ölstand im Pumpenbehälter ist niedrig. Tiefeneinstellung falsch eingestellt.	Befüllen und entlüften Sie das System. Befolgen Sie die Anweisungen zur Tiefeneinstellung.
Maschine läuft nicht	Motorbürsten abgenutzt.	Ersetzen Sie die Bürsten.

Wartung und Reparatur

⚠️ WARNUNG

Die Betriebssicherheit des Geräts kann durch unsachgemäße Wartung oder Reparatur beeinträchtigt werden.

In den „Wartungsanweisungen“ werden die meisten der Wartungsanforderungen für diese Maschine erläutert. Alle Probleme, die in diesem Abschnitt nicht erwähnt werden, sollten von einem qualifizierten RIDGID-Servicecenter behoben werden. Verwenden Sie ausschließlich RIDGID-Serviceteile.

Informationen zu Ihrem nächstgelegenen unabhängigen RIDGID-Servicecenter und Antworten auf Service- und Reparaturfragen finden Sie im Abschnitt *Kontaktinformationen* in dieser Anleitung.

Optionale Ausrüstung

⚠️ WARNUNG

Zur Vermeidung schwerer Verletzungen verwenden Sie nur speziell für das RIDGID 918-I Rollnutgerät entwickelte und empfohlene Zubehörteile wie die folgenden.

Best.-Nr.	Beschreibung
48405	Rollensatz für 8 - 12 Zoll Schedule 10 (8 Zoll Schedule 40) mit Transportkoffer
48407	Rollensatz für 1¼ bis 1½ Zoll Schedule 10/40, mit Transportkoffer
48412	Rollensatz für 1 Zoll Schedule 10/40 und 1¼ bis 1½ Zoll Schedule 10/40, mit Transportkoffer
48417	Rollensatz für 2 bis 6 Zoll Kupfer
59992	2½ 12 Zoll Stabilisator
76822	Nut-Maßband, zöllig
76827	Nut-Maßband, metrisch
49662	Werkzeugkasten
51432	Antriebsrolle 2 - 6 Zoll
49217	Nutrolle 2 bis 6 Zoll
54317	Ringschlüssel
64192	Dreibein-Untergestell, ASM 918-I
64187	Niedriges Dreibein-Untergestell 918-I

Eine vollständige Liste der für diese Werkzeuge verfügbaren RIDGID-Ausrüstung finden Sie im Ridge Tool Katalog online unter RIDGID.com oder in den *Kontaktinformationen*.

Entsorgung

Teile des 918-I Rollnutgeräts enthalten wertvolle Materialien und können recycelt werden. Hierfür gibt es auf Recycling spezialisierte Betriebe, die u. U. auch örtlich ansässig sind. Entsorgen Sie die Bauteile und etwaiges Altöl gemäß den geltenden gesetzlichen Vorschriften. Weitere Informationen erhalten Sie bei der örtlichen Abfallwirtschaftsbehörde.



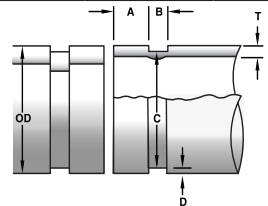
Für EG-Länder: Entsorgen Sie Elektrogeräte nicht im Hausmüll!

Gemäß der Europäischen Richtlinie 2012/19/EG über Elektro- und Elektronik-Altgeräte und ihrer Umsetzung in nationales Recht müssen nicht mehr gebrauchsfähige Elektrogeräte getrennt gesammelt und einer umweltgerechten Wiederverwertung zugeführt werden.

Tabelle I. Rohrwanddicke**HINWEIS:** Alle Abmessungen sind in Zoll angegeben.

Größe	ROHR AUS KOHLENSTOFFSTAHL ODER ALUMINIUM			EDELSTAHLROHR			PVC-ROHR		
	Schedule	Wandstärke		Schedule	Wandstärke		Schedule	Wandstärke	
		Min.	Max.		Min.	Max.		Min.	Max.
1	5, 10, 40	0.065	0.133	5, 10	0.065	0.109	40	0.133	0.133
1¼	5, 10, 40	0.065	0.140	5, 10, 40	0.065	0.140	40	0.140	0.140
1½	5, 10, 40	0.065	0.145	5, 10, 40	0.065	0.145	40, 80	0.145	0.200
2	5, 10, 40	0.065	0.154	5, 10, 40	0.065	0.154	40, 80	0.154	0.218
2½	5, 10, 40	0.083	0.203	5, 10	0.083	0.188	40, 80	0.203	0.276
3	5, 10, 40	0.083	0.216	5, 10	0.083	0.188	40, 80	0.216	0.300
3½	5, 10, 40	0.083	0.226	5, 10	0.083	0.188	40	0.226	0.226
4	5, 10, 40	0.083	0.237	5, 10	0.083	0.188	40	0.237	0.237
5	5, 10, 40	0.109	0.258	5, 10	0.109	0.188	40	0.258	0.258
6	5, 10, 40	0.109	0.280	5, 10	0.109	0.188	40	0.280	0.280
8	5, 10, 40*	0.109	0.322	5, 10	0.109	0.148	40	0.322	0.322
10	5, 10	0.134	0.165	5, 10	0.134	0.165	—	—	—
12	5, 10	0.165	0.180	5, 10	0.165	0.180	—	—	—

*Nicht zum Nuten von 8 Zoll Schedule 40 Stahlrohren verwenden, die härter als 150 Brinell (BHN) sind.

**Tabelle II. Standard-Rollnut-Spezifikationen (1)****HINWEIS:** Alle Abmessungen sind in Zoll angegeben.

NOM. ROHRGRÖSSE	ROHRDURCHMESSER		T MIN. WAND- STÄRKE	A DICHTUNGSSITZ +.015/-0.030	B NUTBREITE +.030/-0.015	C NUTDURCHMESSER		D NOM. NUTBREITE (2)
	A.D.	TOL.				A.D.	TOL.	
1	1.315	+.013 -.013	0.065	0.625	0.281	1.190	+.000 -.015	0.063
1¼	1.660	+.016 -.016	0.065	0.625	0.281	1.535	+.000 -.015	0.063
1½	1.900	+.019 -.019	0.065	0.625	0.281	1.535	+.000 -.015	0.063
2	2.375	+.024 -.016	0.065	0.625	0.344	2.250	+.000 -.015	0.063
2½	2.875	+.029 -.016	0.083	0.625	0.344	2.720	+.000 -.015	0.078
3	3.50	+.035 -.031	0.083	0.625	0.344	3.344	+.000 -.015	0.078
3½	4.00	+.040 -.031	0.083	0.625	0.344	3.834	+.000 -.020	0.083
4	4.50	+.045 .031	0.083	0.625	0.344	4.334	+.000 -.015	0.083
5	5.563	+.056 .031	0.109	0.625	0.344	5.395	+.000 -.015	0.084
6	6.625	+.063 -.031	0.109	0.625	0.344	6.455	+.000 -.015	0.085
8	8.625	+.063 -.031	0.109	0.750	0.469	8.441	+.000 -.020	0.092
10	10.75	+.063 -.031	0.134	0.750	0.469	10.562	+.000 -.025	0.094
12	12.75	+.063 -.031	0.156	0.750	0.469	12.531	+.000 -.025	0.110

(1) Gemäß AWWA C606-15

(2) Die Nennnuttiefe wird nur als Referenzmaß angegeben. Verwenden Sie die Nuttiefe nicht, um die Akzeptanz einer Nut zu bestimmen.
HINWEIS: Befolgen Sie die Empfehlungen des Fitting-Herstellers bezüglich der maximal zulässigen Bördelmaße.

Tabelle III. Kupfer-Rollnut-Spezifikationen⁽¹⁾
HINWEIS: Alle Abmessungen sind in Zoll angegeben.

Nenngröße Zoll	Rohr-Außendurchmesser A.D.		A Dichtung A ±0.03	B Nutbreite +.03 / -.000	C Nutdurchmesser +.000 / -.020	D Nennnut- tiefe ⁽²⁾	T Min. zuläs- sige Wanddi- cke. ⁽³⁾	Max. zuläs- siger Bör- deldurch- messer
	Einfach	Toleranz						
2	2.125	±0.002	0.610	0.300	2.029	0.048	DWN	2.174
2 ½	2.625	±0.002	0.610	0.300	2.525	0.050	0.065	2.674
3	3.125	±0.002	0.610	0.300	3.025	0.050	DWV	3.174
4	4.125	±0.002	0.610	0.300	4.019	0.053	DWV	4.174
5	5.125	±0.002	0.610	0.300	5.019	0.053	DWV	5.174
6	6.125	±0.002	0.610	0.300	5.999	0.063	DWV	6.174

(1) Kupferrohre gemäß folgenden Normen: ASTM B88 und ASTM B306.

(2) Die Nennnuttiefe ist als Referenzmaß angegeben. Verwenden Sie die Nuttiefe nicht, um die Akzeptanz von Nuten zu bestimmen.

(3) „DWV“ - ASTM B306 Wandstärke für Ablass- und Belüftungsrohre.

RIDGID® 918-I Heavy Duty Roll Grooving Machine**MANUFACTURER**

RIDGE TOOL COMPANY
400 Clark Street
Elyria, Ohio 44035-6001
U.S.A.

RTCRegulatory.Compliance@Emerson.com

EC DECLARATION OF CONFORMITY

We declare that the machines listed above, when used in accordance with the operator's manual, meet the relevant requirements of the Directives and Standards listed below.

DÉCLARATION DE CONFORMITÉ CE

Nous déclarons que lorsqu'elles sont utilisées selon leur mode d'emploi, les machines indiquées ci-dessus répondent aux exigences applicables des directives et normes ci-après.

DECLARACIÓN DE CONFORMIDAD DE LA CE

Declaramos que las máquinas listadas más arriba, cuando se usan conforme al manual del operario, cumplen con los requisitos pertinentes de las directrices y normas listadas a continuación.

PROHLÁŠENÍ O SHODĚ ES

Prohlašujeme, že výše uvedené nástroje a zařízení splňují při použití v souladu s jejich návodem k obsluze příslušné požadavky níže uvedených směrnic a nariadení.

EF-OVERENSSTEMMELSESERKLÆRING

Vi erklærer, at de ovenfor anførte maskiner, ved brug i overensstemmelse med brugervejledningen, opfylder de relevante krav i de nedenfor anførte direktiver og standarder.

EG KONFORMITÄTSEKTLÄRUNG

Wir erklären, dass die oben aufgeführten Maschinen, wenn sie entsprechend der Bedienungsanleitung verwendet werden, die einschlägigen Anforderungen der folgenden Richtlinien und Normen erfüllen.

ΔΗΛΩΣΗ ΣΥΜΜΟΡΦΩΣΗΣ ΕΚ

Δηλώνουμε ότι τα μηχανήματα που αναφέρονται παραπάνω, όταν χρησιμοποιούνται σύμφωνα με το εγχειρίδιο χειρισμού, πληρούν τις σχετικές απαιτήσεις των παρακάτω Οδηγιών και Προτύπων.

EY-VAATIMUSTENMUKAISUUSVAKUUTUS

Vakuutamme, että edellä luetellut koneet täyttävät käyttöohjekirjan mukaisesti käytettynä seuraavien direktiivien ja standardien vaatimukset.

EU IZJAVA O SUKLADNOSTI

Izjavljujemo da su gore navedeni strojevi, kada se koriste u skladu s priručnikom za korisnike, sukladni s relevantnim zahtjevima dolje navedenih direktiva i standarda.

EK MEGFELELŐSÉGI NYILATKOZAT

Kijelentjük, hogy a fent felsorolt gépek - amennyiben a kezelési útmutatónak megfelelően használják őket - megfelelnek az alább felsorolt Irányelvek és Szabványok követelményeinek.

DICHIARAZIONE DI CONFORMITÀ CE

Dichiariamo che le macchine elencate in alto, se utilizzate in conformità con il manuale dell'operatore, soddisfano i relativi requisiti delle Direttive e degli Standard specificati di seguito.

EO СӘЙКЕСТІК МӘЛІМДЕМЕСІ

Біз жоғарыда көрсетілген құрылғылардың пайдаланушы нұсқаулығына сәйкес пайдаланылған жағдайда төменде көрсетілген Директивалар мен Стандарттардың тиісті талаптарына жауап беретінін мәлімдейміз.

EG-CONFORMITEITSVERKLARING

Hierbij verklaren wij dat de hierboven vermelde machines, mits gebruikt in overeenstemming met de handleiding, voldoen aan de relevante eisen van de hieronder vermelde richtlijnen en normen.

CE-SAMSVARERKLÆRING

Vi erklærer at maskinene oppført over oppfylder de relevante kravene i direktiver og standarder oppført under dersom de brukes i henhold til bruksanvisningen.

AUTHORIZED REPRESENTATIVE

Ridge Tool Europe NV
Ondernemerslaan 5428
3800 Sint-Truiden, Belgium
europeproductcompliance@emerson.com
+40 374132035

DEKLARACJA ZGODNOŚCI WE

Deklarujemy, że maszyny wymienione powyżej, gdy są używane zgodnie z podręcznikiem użytkownika, spełniają właściwe wymagania Dyrektyw i Standardów, wymienione poniżej.

DECLARACÃO DE CONFORMIDADE CE

Declaramos que as máquinas listadas acima, quando utilizadas de acordo com o manual do operador, cumprem os requisitos relevantes das Diretivas e Normas listadas abaixo.

DECLARAȚIE DE CONFORMITATE CE

Declarăm că mașina specificată mai jos, atunci când este utilizată în conformitate cu manualul de exploatare, îndeplinește cerințele relevante ale Directivelor și standardelor specificate mai jos.

ДЕКЛАРАЦИЯ СООТВЕТСТВИЯ ЕС

Мы заявляем, что инструменты, перечисленные выше, при условии использования согласно руководству по эксплуатации, отвечают соответствующим требованиям указанных ниже директив и стандартов.

ES PREHLÁŠENIE O ZHODE

Vyhlasujeme, že stroje uvedené vyššie splňajú relevantné požiadavky smerníc a noriem uvedených nižšie, ak sa používajú podľa návodu na použitie.

IZJAVA ES O SKLADNOSTI

Izjavljamo, da zgoraj omenjeni stroji, ko se uporabljajo skladno z uporabniškim priročnikom, izpolnjujejo relevantne zahteve spodaj omenjenih direktiv in standardov.

EC DEKLARACIJA O USAGLAŠENOSTI

Izjavljujemo da gore navedeni strojevi, ako se koriste u skladu s priručnikom za korisnike, zadovoljavaju relevantne zahteve direktiva i standarda koji se navode dole.

EG-FÖRSÄKRAN OM ÖVERENSSTÄMMELSE

Vi meddelar att maskinen som anges ovan uppfyller de aktuella kraven i de angivna direktiven och standarderna nedan när den används enligt bruk-sanvisningen.

AB UYGUNLUK BEYANI

Yukarıda listelenen makinelerin, kullanıcı kılavuzuna göre kullanıldığında, aşağıda listelenen Direktiflerin ve Standartların ilgili gereksinimlerini karşıladığını beyan ederiz.

EÜ VASTAVUSDEKLARATSIOON

Kinnitame, et eelpool loetletud masinad vastavad allpool loetletud direktiivide ja standardite asjakohastele nõuetele, kui neid kasutatakse vastavalt kasutusjuhendile.

EK ATBILSTĪBAS DEKLARĀCIJA

Mēs apliecinām, ka iepriekšminētās iekārtas, izmantojot tās saskaņā ar operatora rokasgrāmatu, atbilst attiecīgajām tālāk norādīto direktīvu un standartu prasībām.

DEARBHŪ COMHRÉIREACHTA AN CE

Fógraímid go bhfuil na hinnill sa liosta thuas i gcomhréir le riachtanais ábhartha na dTeoracha agus na gCairdeán sa liosta thíos, ach iad a úsáid de réir an lámhleabhair don oibreoir.

EB ATITIKTIES DEKLARACIJA

Deklaruojame, kad pirmiau išvardytos mašinos, jei naudojamos pagal naudotojo vadovą, atitinka atitinkamus toliau išvardytą direktivų ir standartų reikalavimus.

EO ДЕКЛАРАЦИЯ ЗА СЪОТВЕТСТВИЕ

Декларираме, че изброените по-горе машини, когато се използват в съответствие с Ръководство за оператора, отговарят на съответните изисквания на директивите и стандартите, изброени по-долу.



2006/42/EC, 2014/35/EU, 2014/30/EU, EU 2015/863

IEC 62841-1, EN 55014-1/2, IEC 61000-3-2/3



5010236

Conforms to UL 62841-1,

Certified to CSA C22.2#62841-1



Signature: *Harald Krondorfer*

Name: Harald Krondorfer

Qualification: V.P. Engineering

Date: 11/22/2022

What is covered

RIDGID® tools are warranted to be free of defects in workmanship and material.

How long coverage lasts

This warranty lasts for the lifetime of the RIDGID® tool. Warranty coverage ends when the product becomes unusable for reasons other than defects in workmanship or material.

How you can get service

To obtain the benefit of this warranty, deliver via prepaid transportation the complete product to RIDGE TOOL COMPANY, Elyria, Ohio, or any RIDGID® AUTHORIZED INDEPENDENT SERVICE CENTER. Pipe wrenches and other hand tools should be returned to the place of purchase.

What we will do to correct problems

Warranted products will be repaired or replaced, at RIDGE TOOL'S option, and returned at no charge; or, if after three attempts to repair or replace during the warranty period the product is still defective, you can elect to receive a full refund of your purchase price.

What is not covered

Failures due to misuse, abuse or normal wear and tear are not covered by this warranty. RIDGE TOOL shall not be responsible for any incidental or consequential damages.

How local law relates to the warranty

Some states do not allow the exclusion or limitation of incidental or consequential damages, so the above limitation or exclusion may not apply to you. This warranty gives you specific rights, and you may also have other rights, which vary, from state to state, province to province, or country to country.

No other express warranty applies

This FULL LIFETIME WARRANTY is the sole and exclusive warranty for RIDGID® products. No employee, agent, dealer, or other person is authorized to alter this warranty or make any other warranty on behalf of the RIDGE TOOL COMPANY.



FULL LIFETIME WARRANTY (garantie légale étendue à la durée de vie du produit, voir conditions de garantie / legal warranty extended to the product lifecycle, see warranty conditions)

**For Warranty Information for your World Region
visit RIDGID.com**

Parts are available online at Store.RIDGID.com

Ridge Tool Company

400 Clark Street
Elyria, Ohio 44035-6001
U.S.A.

Ce qui est couvert

Les outils RIDGID® sont garantis contre tous vices de matériaux et de main d'oeuvre.

Durée de couverture

Cette garantie est applicable durant la vie entière de l'outil RIDGID®. La couverture cesse dès lors que le produit devient inutilisable pour raisons autres que des vices de matériaux ou de main d'oeuvre.

Pour invoquer la garantie

Pour toutes réparations au titre de la garantie, il convient d'expédier le produit complet en port payé à la RIDGE TOOL COMPANY, Elyria, Ohio, ou bien le remettre à un réparateur RIDGID® indépendant agréé. Les clés à pipe et autres outils à main doivent être ramenés au lieu d'achat.

Ce que nous ferons pour résoudre le problème

Les produits sous garantie seront à la discrétion de RIDGE TOOL, soit réparés ou remplacés, puis réexpédiés gratuitement ; ou si, après trois tentatives de réparation ou de remplacement durant la période de validité de la garantie le produit s'avère toujours défectueux, vous aurez l'option de demander le remboursement intégral de son prix d'achat.

Ce qui n'est pas couvert

Les défaillances dues au mauvais emploi, à l'abus ou à l'usure normale ne sont pas couvertes par cette garantie. RIDGE TOOL ne sera tenue responsable d'aucuns dommages directs ou indirects.

L'influence de la législation locale sur la garantie

Puisque certaines législations locales interdisent l'exclusion des dommages directs ou indirects, il se peut que la limitation ou exclusion ci-dessus ne vous soit pas applicable. Cette garantie vous donne des droits spécifiques qui peuvent être éventuellement complétés par d'autres droits prévus par votre législation locale.

Il n'existe aucune autre garantie expresse

Cette GARANTIE PERPETUELLE INTEGRALE est la seule et unique garantie couvrant les produits RIDGID®. Aucun employé, agent, distributeur ou tiers n'est autorisé à modifier cette garantie ou à offrir une garantie supplémentaire au nom de la RIDGE TOOL COMPANY.

Qué cubre

Las herramientas RIDGID® están garantizadas contra defectos de la mano de obra y de los materiales empleados en su fabricación.

Duración de la cobertura

Esta garantía cubre a la herramienta RIDGID® durante toda su vida útil. La cobertura de la garantía caduca cuando el producto se torna inservible por razones distintas a las de defectos en la mano de obra o en los materiales.

Cómo obtener servicio

Para obtener los beneficios de esta garantía, envíe mediante porte pagado, la totalidad del producto a RIDGE TOOL COMPANY, en Elyria, Ohio, o a cualquier Servicentro Independiente Autorizado de RIDGID®. Las llaves para tubos y demás herramientas de mano deben devolverse a la tienda donde se adquirieron.

Lo que hacemos para corregir el problema

El producto bajo garantía será reparado o reemplazado por otro, a discreción de RIDGE TOOL, y devuelto sin costo; o, si aún resulta defectuoso después de haber sido reparado o sustituido tres veces durante el periodo de su garantía, Ud. puede optar por recibir un reembolso por el valor total de su compra.

Lo que no está cubierto

Esta garantía no cubre fallas debido al mal uso, abuso o desgaste normal. RIDGE TOOL no se hace responsable de daño incidental o consiguiente alguno.

Relación entre la garantía y las leyes locales

Algunos estados de los EE.UU. no permiten la exclusión o restricción referente a daños incidentales o consiguientes. Por lo tanto, puede que la limitación o restricción mencionada anteriormente no rija para Ud. Esta garantía le otorga derechos específicos, y puede que, además, Ud tenga otros derechos, los cuales varían de estado a estado, provincia a provincia o país a país.

No rige ninguna otra garantía expresa

Esta GARANTIA VITALICIA es la única y exclusiva garantía para los productos RIDGID®. Ningún empleado, agente, distribuidor u otra persona está autorizado para modificar esta garantía u ofrecer cualquier otra garantía en nombre de RIDGE TOOL COMPANY.

©2009, 2023, Ridge Tool Company

RIDGID and the Emerson logo are registered trademarks of Emerson Electric Co. or its subsidiaries in the US and other countries.
Any other trademarks belong to their respective holders.

999-998-676.10
REV. D

Printed 2/23
ECN000817

RIDGID


EMERSON