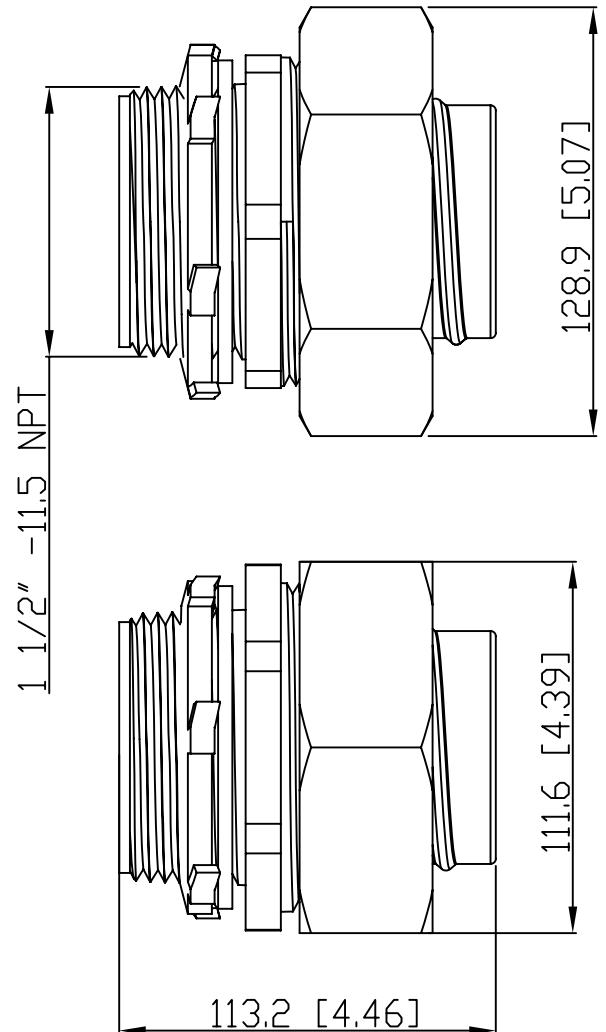
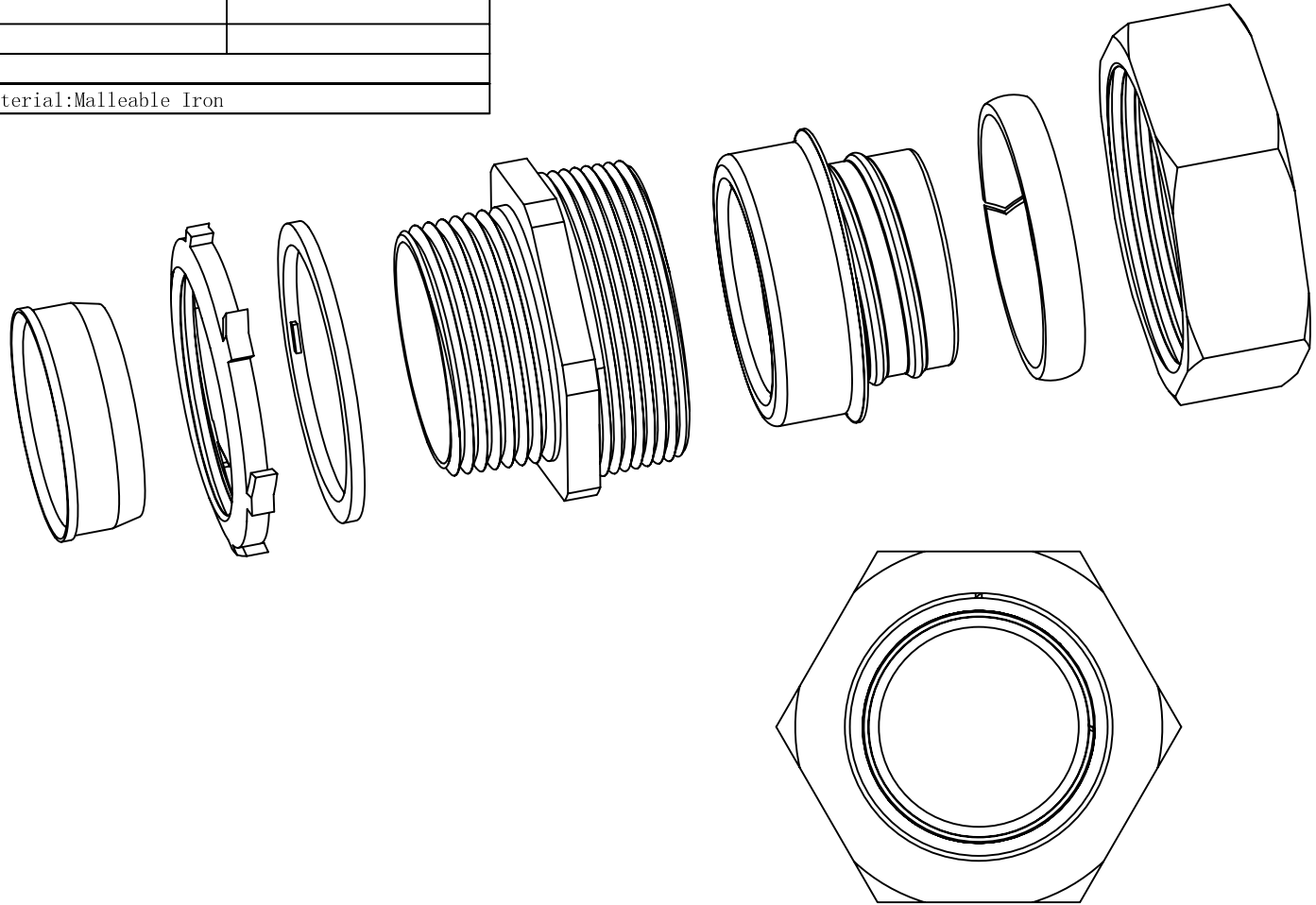


SIDES	BOTTOM
Material: Malleable Iron	



This data sheet is for reference only .GARVIN INDUSTRIES reserv
the right to make changes to the design without prior notice.

DESCRIPTION
TRADE REFERENCE TERMS

STANDARD PACKING
5 PCS

GARVIN INDUSTRIES		
Str Liquid Tight Conn, 1 1/4"		
SIZE A4	DWG NO. DS-LTC-125	REV A