

AXOR Uno
Thermostatic Trim HighFlow
Finishes : **chrome** Part no. : **38715001**



Description

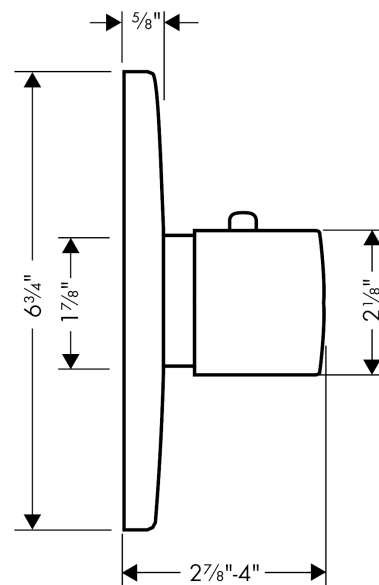
Features

- Flow: 13.0 GPM (49.2 L/Min)
- Thermostatic cartridge
- Anti-scald 100° safety stop

Product image



Scale drawing

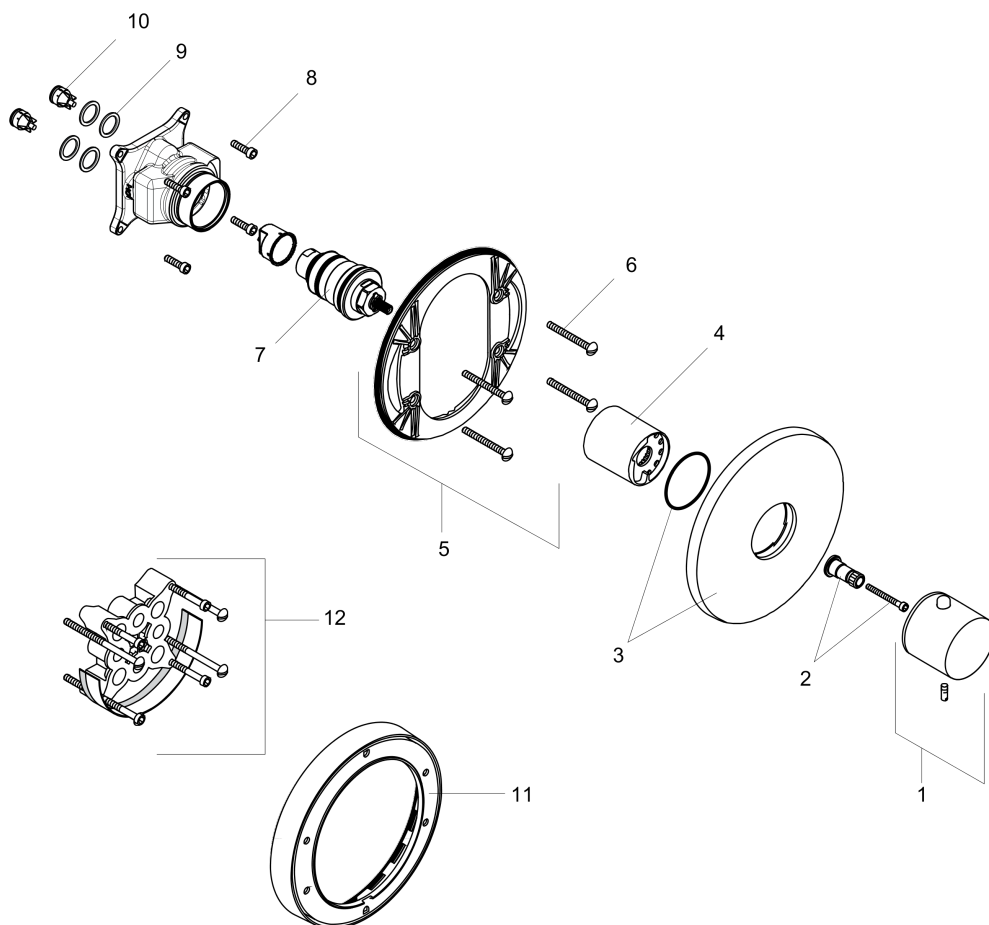


AXOR Uno
Thermostatic Trim HighFlow
Finishes : **chrome** Part no. : **38715001**



Exploded drawing

Year of production: >06/09



AXOR Uno
Thermostatic Trim HighFlow
 Finishes : **chrome** Part no. : **38715001**



Spare parts list

Year of production: >06/09

Pos.	Description	Part no.	PC	PU
1	handle for thermostat	38391001	0	1
2	adapter for handle	96435000	0	1
3	escutcheon Ø 170 mm	96452000	0	1
4	sleeve	97439000	0	1
5	sub plate	96447000	0	1
6	set of screws	96525000	0	1
7	thermostat cartridge	96633000	0	1
8	set of fixing screws	96454000	0	1
9	O-ring 16x2	98133000	0	1
10	set of non return valves DW 15	97350000	0	1
11	extension 22 mm (Ø 170 mm)	13596000	0	1
12	extension 25 mm	13595000	0	1