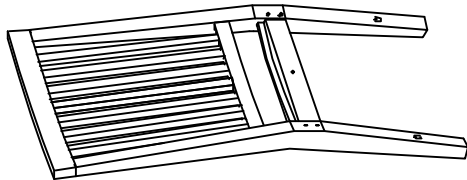


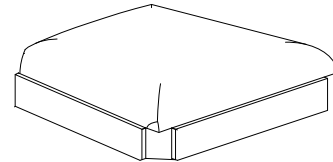
AUTUMN DINING CHAIR ASSEMBLY INSTRUCTIONS



A. CHAIR BACK : 1 PC



B. CHAIR SEAT : 1 PC



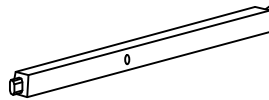
**C. LEFT LEG
: 1 PC**



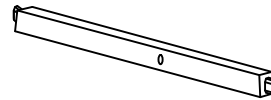
**D. RIGHT LEG
: 1 PC**



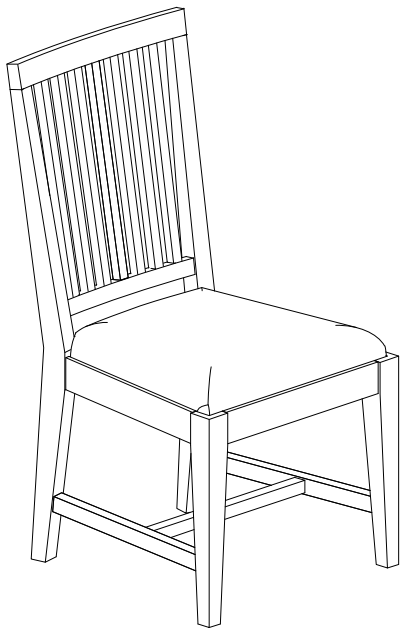
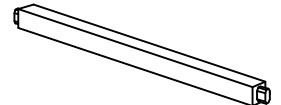
**E. LEFT
STRETCHER : 1 PC**



**F. RIGHT
STRETCHER : 1 PC**

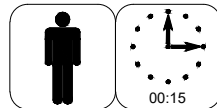


**G. MIDDLE
STRETCHER : 1 PC**

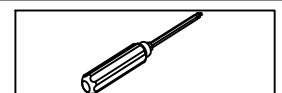


HARDWARE LIST:

No.	Description	Photo	Quantity
1	ALLEN BOLT (1/4"x40mm)		1 PC
2	ALLEN BOLT (1/4"x70mm)		4 PCS
3	FLAT WASHER (1/4")		9 PCS
4	LOCK WASHER (1/4")		9 PCS
5	HEX NUT (1/4")		4 PCS
6	WOOD SCREW (4x40mm)		6 PCS
7	SPANNER		1 PC
8	ALLEN KEY		1 PC



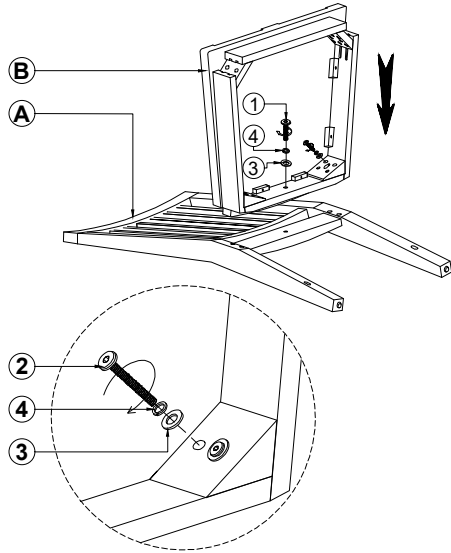
TOOL REQUIRED PHILLIPS HEAD SCREW DRIVER
(NOT PROVIDED)



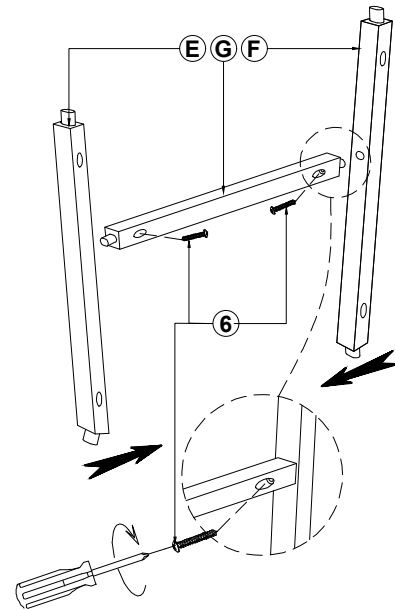
AUTUMN DINING CHAIR ASSEMBLY INSTRUCTIONS



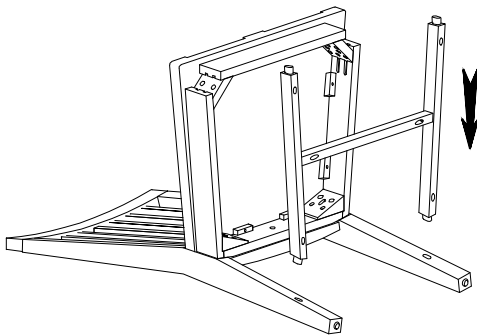
STEP 1 : FINGER TIGHTEN BOLTS ONLY



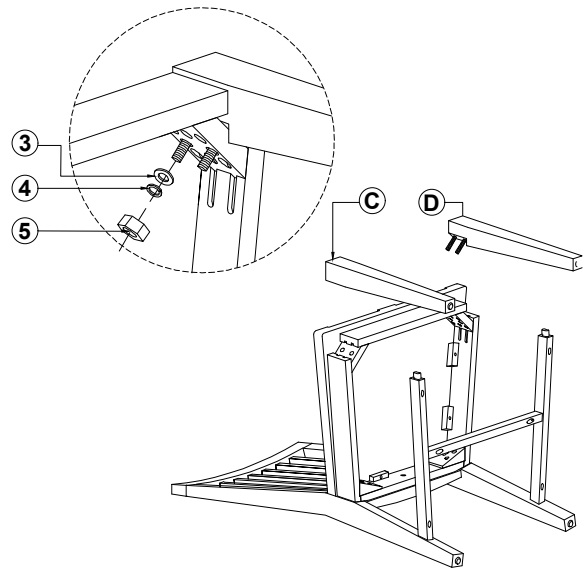
STEP 2 :



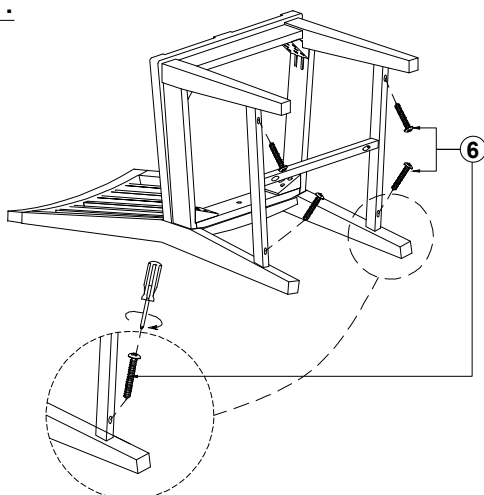
STEP 3 :



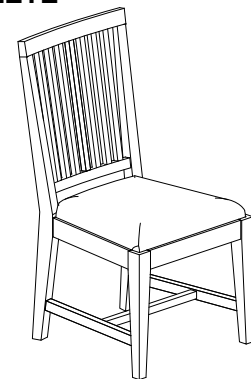
STEP 4 : FINGER TIGHTEN BOLTS ONLY



STEP 5 :



ASSEMBLY COMPLETE



ON A FLAT, LEVEL AREA PLACE YOUR CHAIR UPRIGHT AND ENSURE ALL LEGS ARE TOUCHING THE GROUND. ONCE IN CONTACT, TIGHTEN ALL BOLTS FROM PREVIOUS STEPS WITH PROVIDED ALLEN KEY (8) AND SPANNER (7).