

## DS-2CD6510-I

1.3MP Outer-vehicle Network Camera



### Features:

- Up to 1280x960 @ 30 fps for real-time output
- ROI and SVC are adopted with high compression ratio, flexible dispose and low bitrate
- Progressive scan CMOS with smooth and fluent capture for moving object
- Effective IR lamp with long life-span; 20-30m IR distance
- IR cut filter with auto switch
- 3D DNR and DWDR
- Three streams; mobile phone viewing is supportable
- PoE power supply is supportable
- IP68 design with high reliability
- Heater for demisting
- Defog, rotate mode, BLC, DWDR, auto electric shutter for different environment
- Function: Heartbeat, mirror, watermark, etc
- Two-axis adjustment with analog output for convenient installation
- Vandal-proof: IEC 60068-2-75 test,Eh,50J;EN 50102, IK10

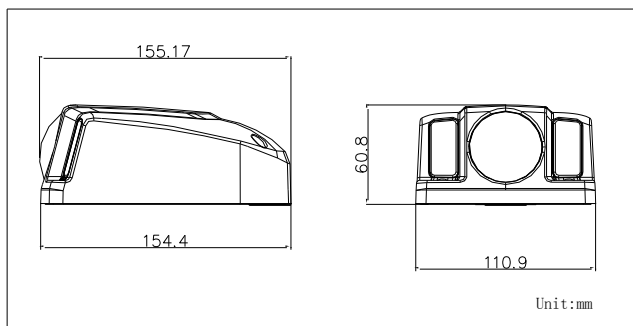
### Application:

Bus, train or enforcement vehicle that with high vibration and dark light.  
High resolution requirement.

### Order Models:

DS-2CD6510-I

### Dimension:



### Specification:

Model	DS-2CD6510-I
Parameter	1.3MP Outer-vehicle Network Camera
<b>Camera</b>	
Image Sensor	1/3" Progressive Scan CMOS
Min. Illumination	0.01 Lux @(F1.2,AGC ON), 0 Lux with IR 0.014 Lux @(F1.4,AGC ON), 0 Lux with IR
Shutter Speed	1/3s-1/100,000s
Lens	4mm, angle of view 73.1°
Angle Adjustment	H: -20°~20°, V: 0°~30°
Lens Mount	M12
Day & Night	ICR
DNR	3D Digital Noise Reduction
DWDR	Digital Wide Dynamic Range
<b>Compression Standard</b>	
Video Compression	H.264 / MJPEG
H.264 Type	Base Line Profile/Main Profile
Video Bit Rate	32Kbps~8Mbps
Audio Compression	G.711/G.726/MP2L2
Audio Bit Rate	64Kbps(G.711)/16Kbps(G.726)/32Kbps~128Kbps(MP2L2)
<b>Image</b>	
Max. Resolution	1280 × 960
Frame Rate	50Hz: 25fps (1280 × 960), 25fps (1280 × 720) 60Hz: 30fps (1280 × 960), 30fps (1280 × 720)
Third Stream	Independent with main stream and Max. as 50Hz: 15fps(1280 × 720) 60Hz: 15fps(1280 × 720)
Image Setting	Defog, rotate mode, BLC, DWDR, auto electric shutter, Saturation, Brightness, Contrast & sharpness are adjusted via client or web-browser
BLC	Regions can be selected
ROI	4 specific regions can be set respectively for 3 streams
<b>Network</b>	
Intelligent Alarm	Motion detection, Tampering alarm, Network disconnect, IP address conflict
Protocol Supportable	TCP/IP,ICMP,HTTP,HTTPS,FTP,DHCP,DNS,DDNS,RTP,RTSP,RTCP, PPPoE,NTP,UPnP,SMTP,SNMP,IGMP,802.1X,QoS,IPv6,Bonjour
Interface protocol	ONVIF,PSIA,CGI,GB28181,ISAPI
General	Reset, flickerless, three streams, heartbeat, mirror, password protection, video masking, watermark
<b>Interface</b>	
Communication	1 –ch RJ45 10M / 100M self-adaptive Ethernet port
<b>General</b>	
Working temperature and humidity	-30 °C – 60 °C (-22 °F – 140 °F) Humidity 95% or less (non-condensing)
Power Supply	DC12V±10% / PoE(802.3af)
Power	DC12V:7W MAX PoE:8.5W MAX
Protection	IP68
IR Distance	20-30 m
Dimensions (mm)	Φ155.17 × 110.9 × 60.8
Weight	846g