

ROUNDED STORAGE BOOKSHELF

ASSEMBLY INSTRUCTIONS

Before You Begin: Phillips screwdriver, power drill, and rubber hammer required for assembly (Not Included).

Please identify all component parts and hardware pieces required before you begin. Carefully remove all of the components from the packaging and set aside for assembly. Assemble on a soft surface to prevent scratching during assembly.

Caution:

Tighten all components securely before use. Failure to do so may result in personal injury.

DO NOT use any sharp objects to open plastic wrapped components as damage to product or components may result.

Warning:

CHOKING HAZARD - Small Parts. Adult Assembly Required.

Injuries may result from tipping furniture. You must install Tipping Restraint Hardware with the unit to prevent the unit from tipping and causing any accidental injury, instability, death or damage. The tipping restraint is intended only as a safety measure, it is not a substitute for proper adult supervision.

The tipping restraint is not an earthquake restraint. If you wish to add the extra security of earthquake restraints, they must be purchased and installed separately.

Serious or fatal crushing injuries can occur from furniture tipping over. To prevent furniture from tipping over it must be permanently fixed to the wall. Fixing devices for the wall are not included since different wall materials require different types of fixing devices. Use fixing devices suitable for the walls in your home.

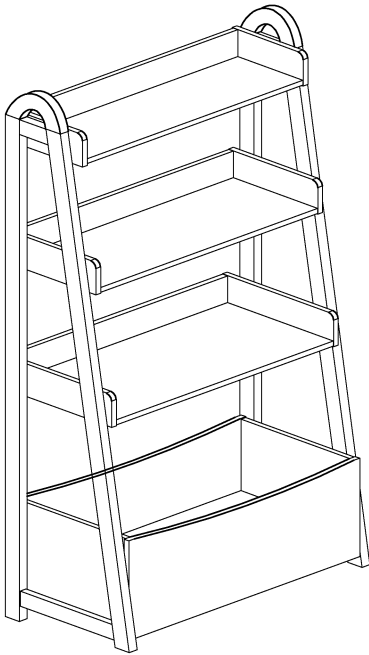
Note: Manufacturer assumes no liability for improper installation or excessive loads placed on screws or brackets.

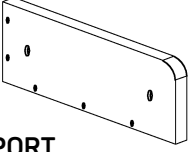
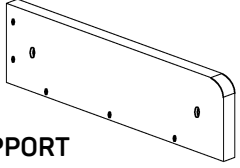
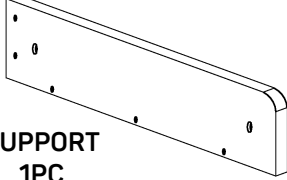
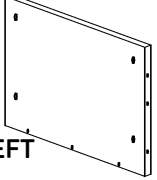
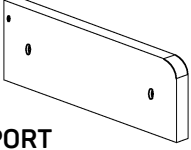
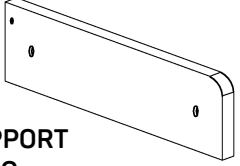
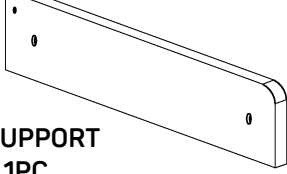
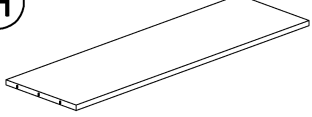


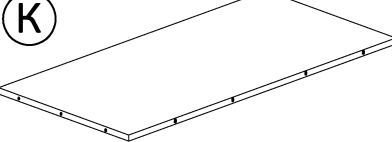
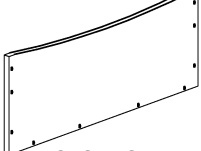

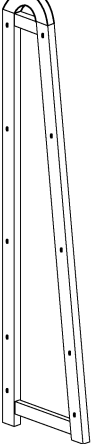
Failure to detach this restraint before moving furniture may result in injury or damage.

DO NOT ALLOW CHILDREN TO CLIMB ON FURNITURE







**Customer Service Email: Customerexperience@theubiquegroup.com | Phone: 866-552-2810
196861165733**






PARTS LIST



<p>(A)</p>  <p>SIDE SUPPORT RIGHT 1PC</p>	<p>(B)</p>  <p>SIDE SUPPORT RIGHT 1PC</p>
<p>(C)</p>  <p>SIDE SUPPORT RIGHT 1PC</p>	<p>(D)</p>  <p>SIDE SUPPORT LEFT & RIGHT 2PCS</p>
<p>(E)</p>  <p>SIDE SUPPORT LEFT 1PC</p>	<p>(F)</p>  <p>SIDE SUPPORT LEFT 1PC</p>
<p>(G)</p>  <p>SIDE SUPPORT LEFT 1PC</p>	<p>(H)</p>  <p>TOP SHELF 1PC</p>
<p>(I)</p>  <p>UPPER CENTER SHELF 1PC</p>	<p>(J)</p>  <p>LOWER CENTER SHELF 1PC</p>
<p>(K)</p>  <p>BOTTOM SHELF 1PC</p>	<p>(L)</p>  <p>FRONT AND REAR STORAGE BIN PANELS 2PCS</p>
<p>(M)</p>  <p>BACK SUPPORT 3PCS</p>	<p>(N)</p>  <p>LEG LEFT & RIGHT 2PCS</p>

HARDWARE LIST

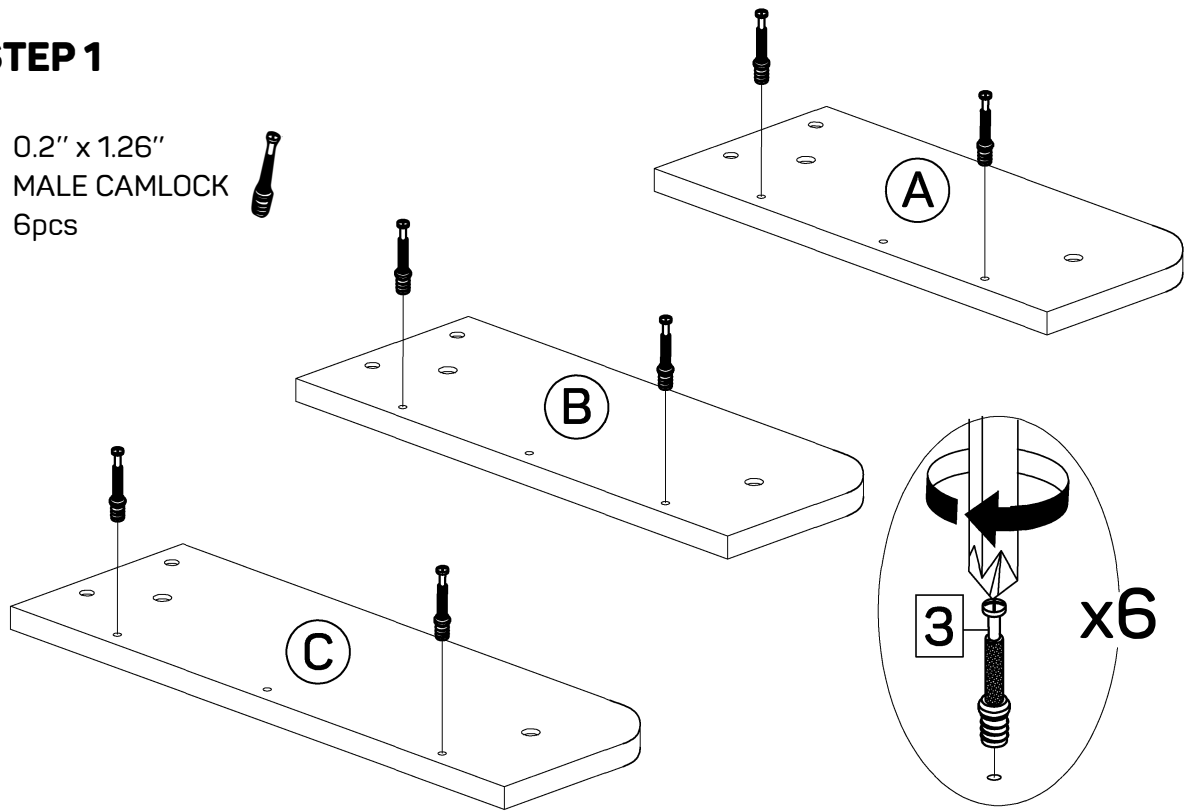
ITEM	DESCRIPTION	QTY
①	0.59" FEMALE CAMLOCK 	28 pcs
②	0.24" x 0.59" ALLEN HEAD SCREW NUT 	20 pcs
③	0.2" x 1.26" MALE CAMLOCK 	28 pcs
④	0.24" x 1.18" WOOD DOWEL 	22 pcs
⑤	0.24" x 0.98" ALLEN HEAD SCREW 	20 pcs
⑥	0.31" x 1.5" FLAT HEAD SCREW 	12 pcs

ITEM	DESCRIPTION	QTY
⑦	FLOOR GLIDE 	4 pcs
⑧	0.16" ALLEN WRENCH 	2 pcs
⑨	GLUE 	1 pc
⑩	0.87" STICKER COVER 	52 pcs
⑪	ANTI TIP STRAP 	2 pcs

INSTALLATION

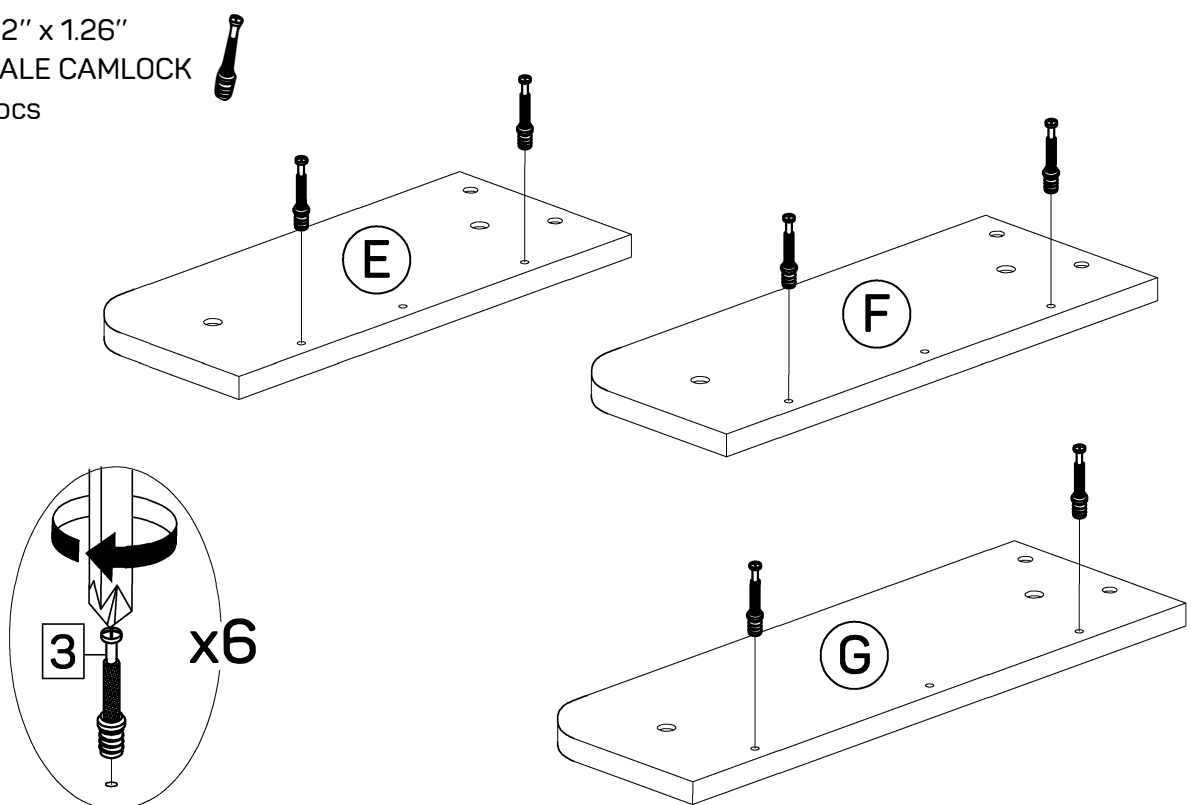
STEP 1

- ③ 0.2" x 1.26"
MALE CAMLOCK
6pcs



STEP 2

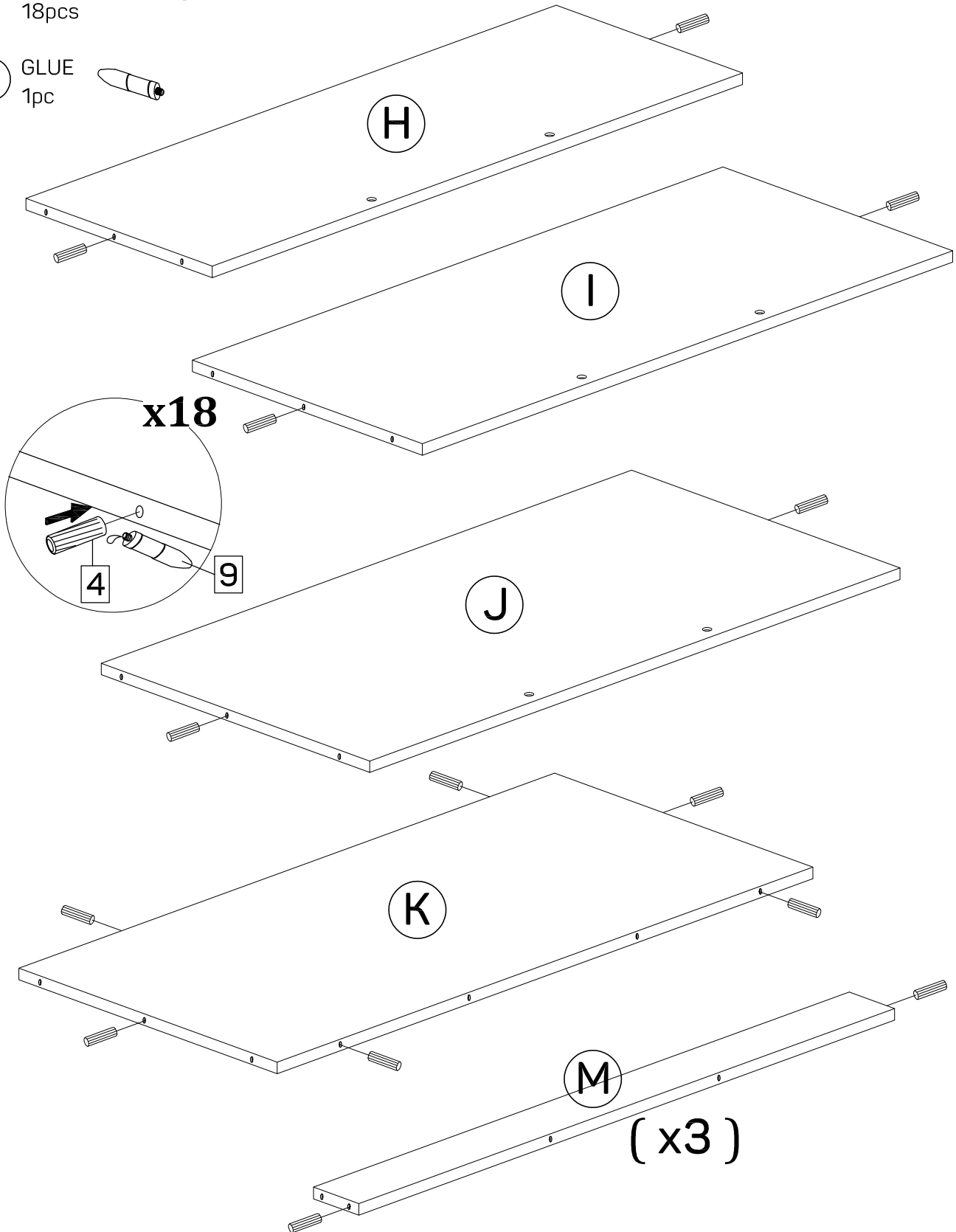
- ③ 0.2" x 1.26"
MALE CAMLOCK
6pcs



STEP 3

4 0.24" x 1.18"
WOOD DOWEL
18pcs

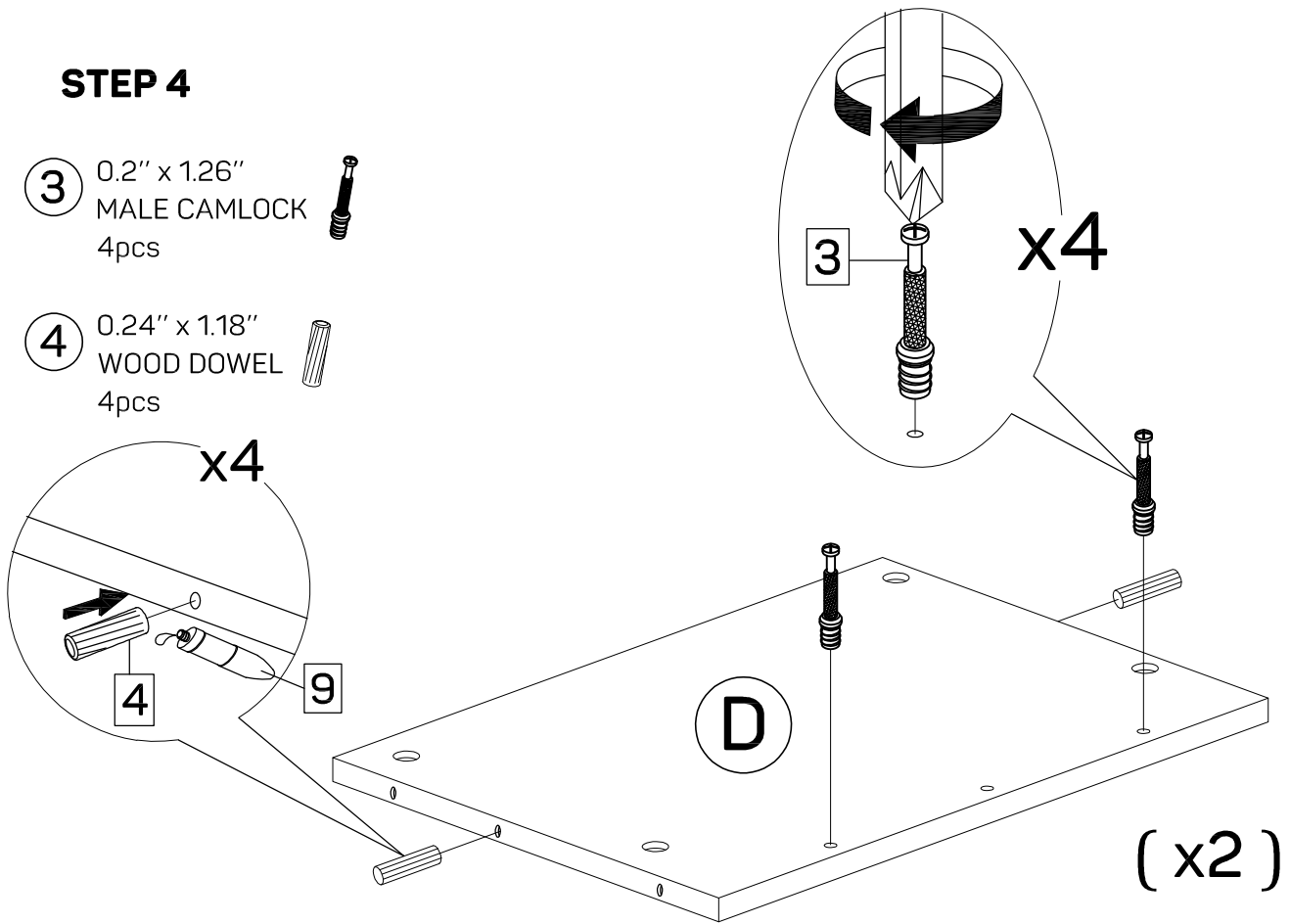
9 GLUE
1pc



STEP 4

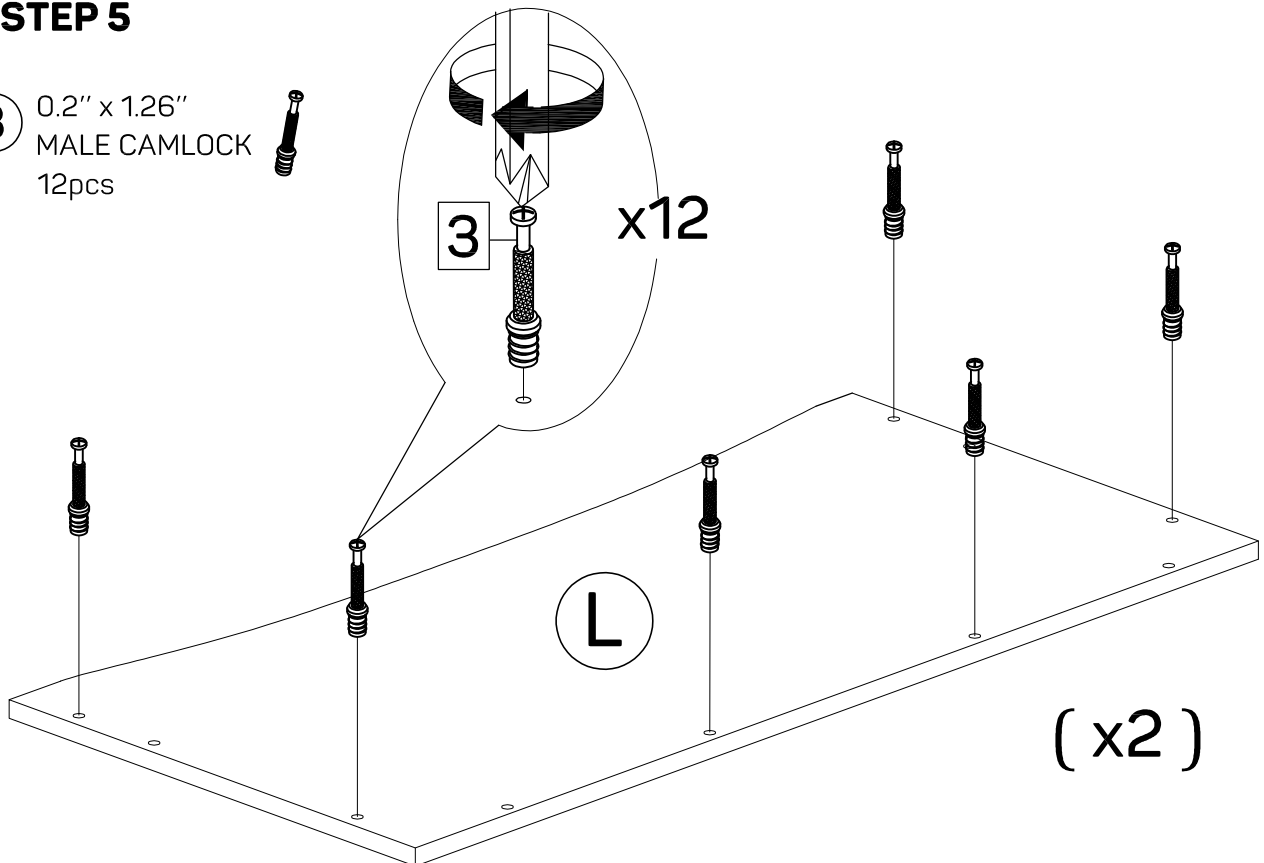
③ 0.2" x 1.26"
MALE CAMLOCK
4pcs

④ 0.24" x 1.18"
WOOD DOWEL
4pcs



STEP 5

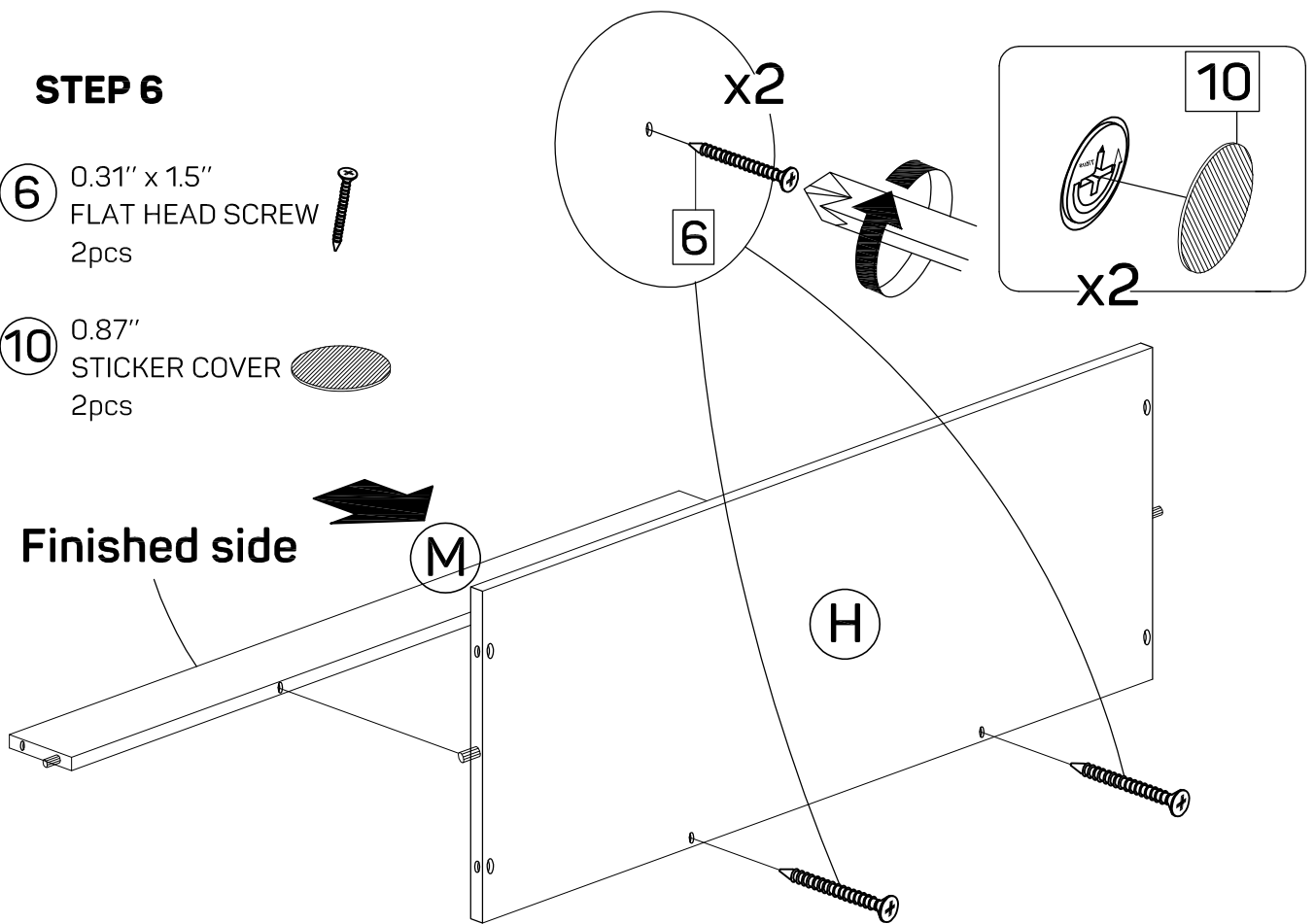
③ 0.2" x 1.26"
MALE CAMLOCK
12pcs



STEP 6

- ⑥ 0.31" x 1.5"
FLAT HEAD SCREW
2pcs

- ⑩ 0.87"
STICKER COVER
2pcs

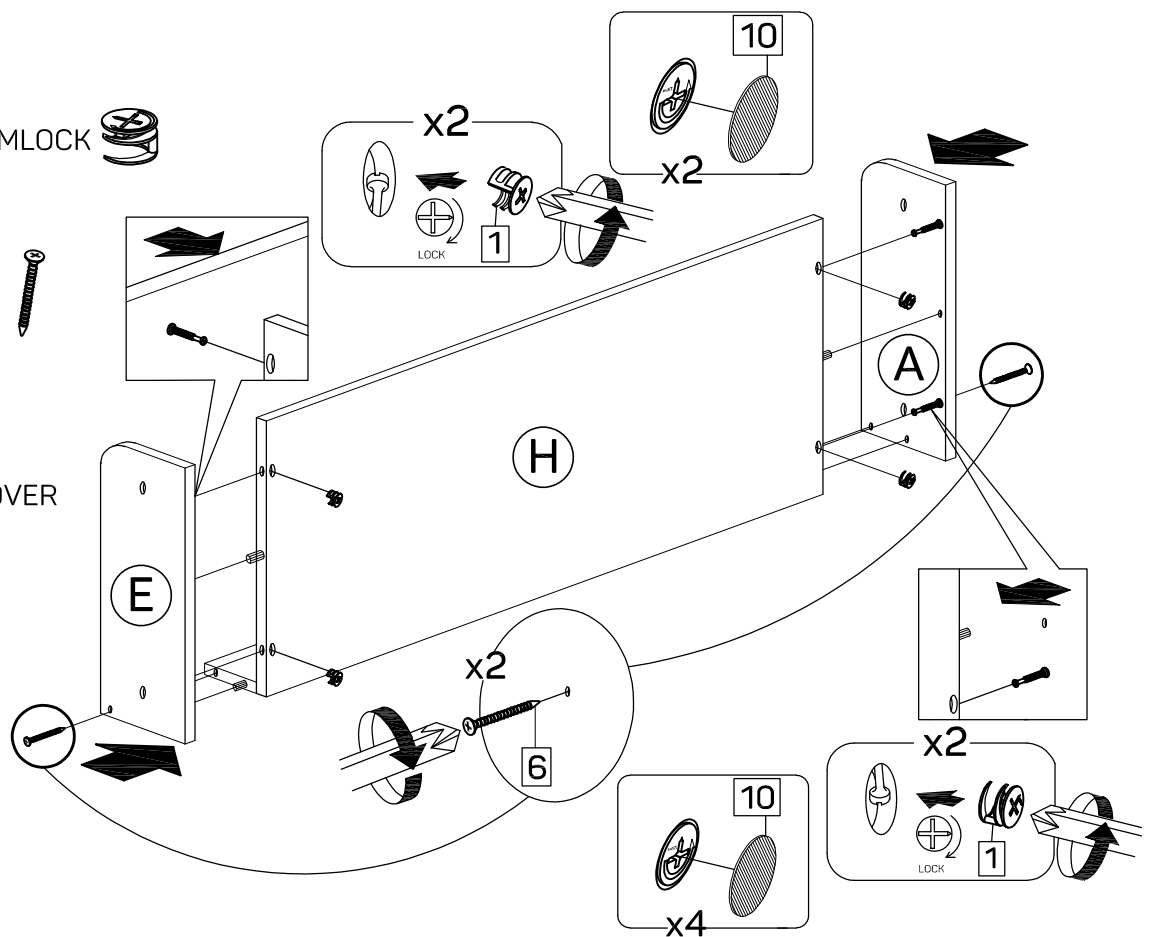


STEP 7

- ① 0.59"
FEMALE CAMLOCK
4pcs

- ⑥ 0.31" x 1.5"
FLAT HEAD
SCREW
2pcs

- ⑩ 0.87"
STICKER COVER
6pcs

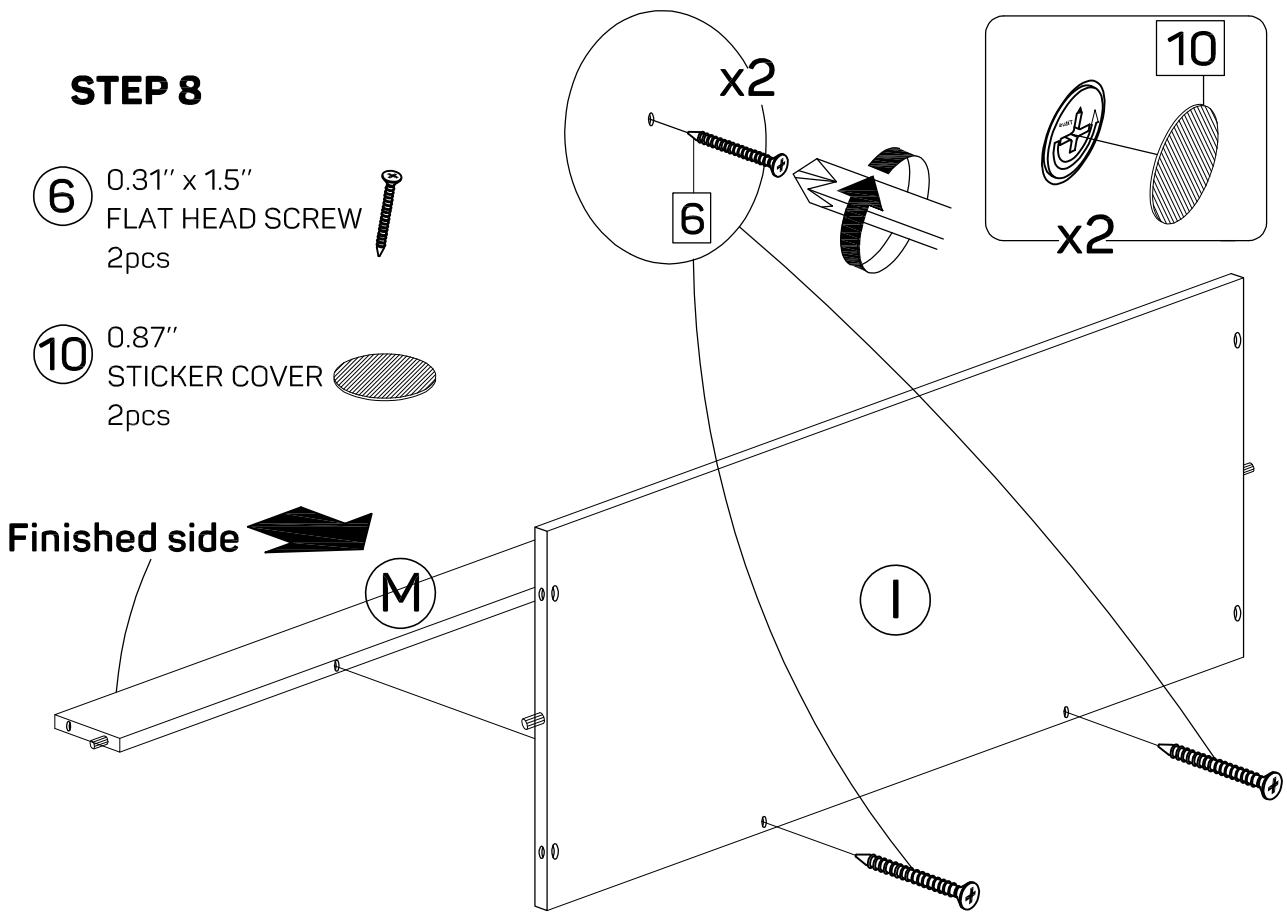


STEP 8

⑥ 0.31" x 1.5"
FLAT HEAD SCREW
2pcs

⑩ 0.87"
STICKER COVER
2pcs

Finished side

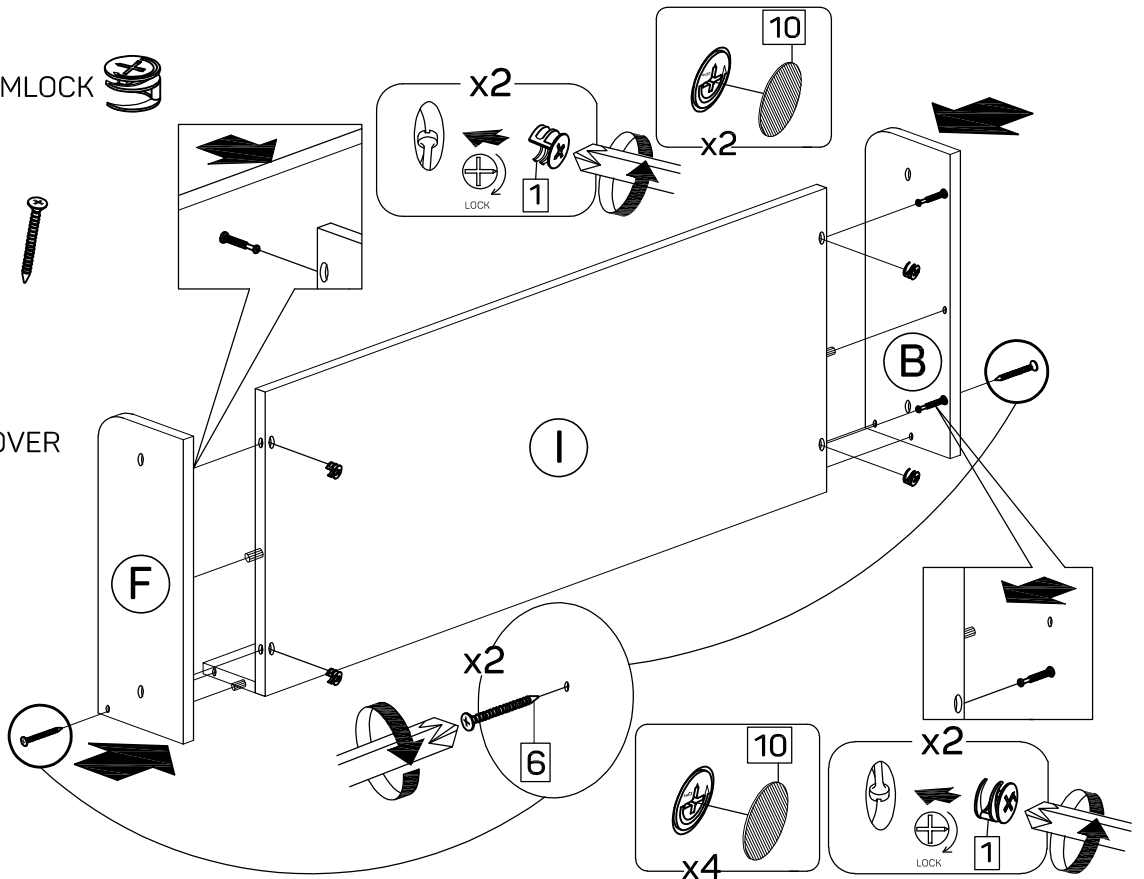


STEP 9

① 0.59"
FEMALE CAMLOCK
4pcs

⑥ 0.31" x 1.5"
FLAT HEAD
SCREW
2pcs

⑩ 0.87"
STICKER COVER
6pcs

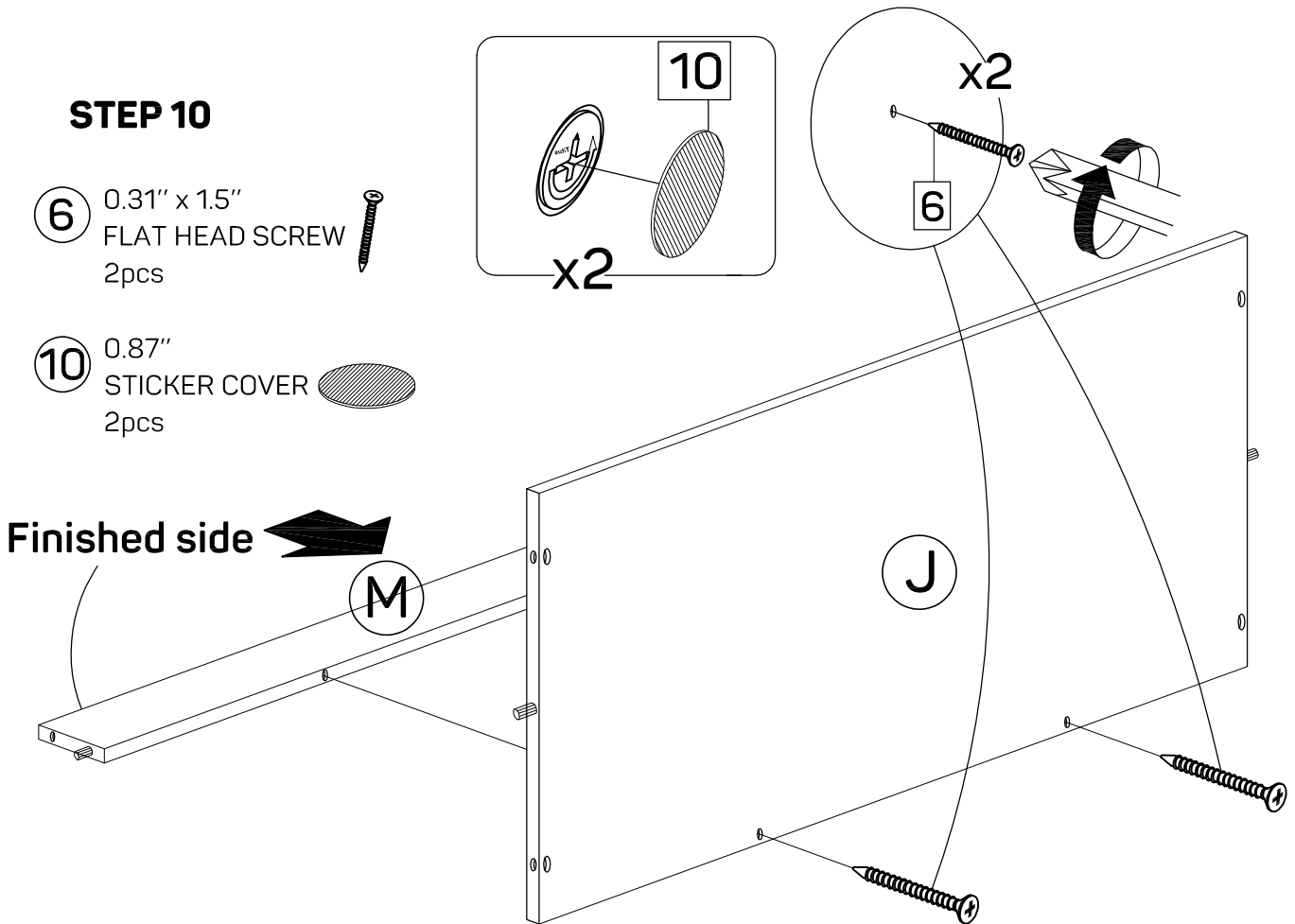


STEP 10

- ⑥ 0.31" x 1.5"
FLAT HEAD SCREW
2pcs

- ⑩ 0.87"
STICKER COVER
2pcs

Finished side

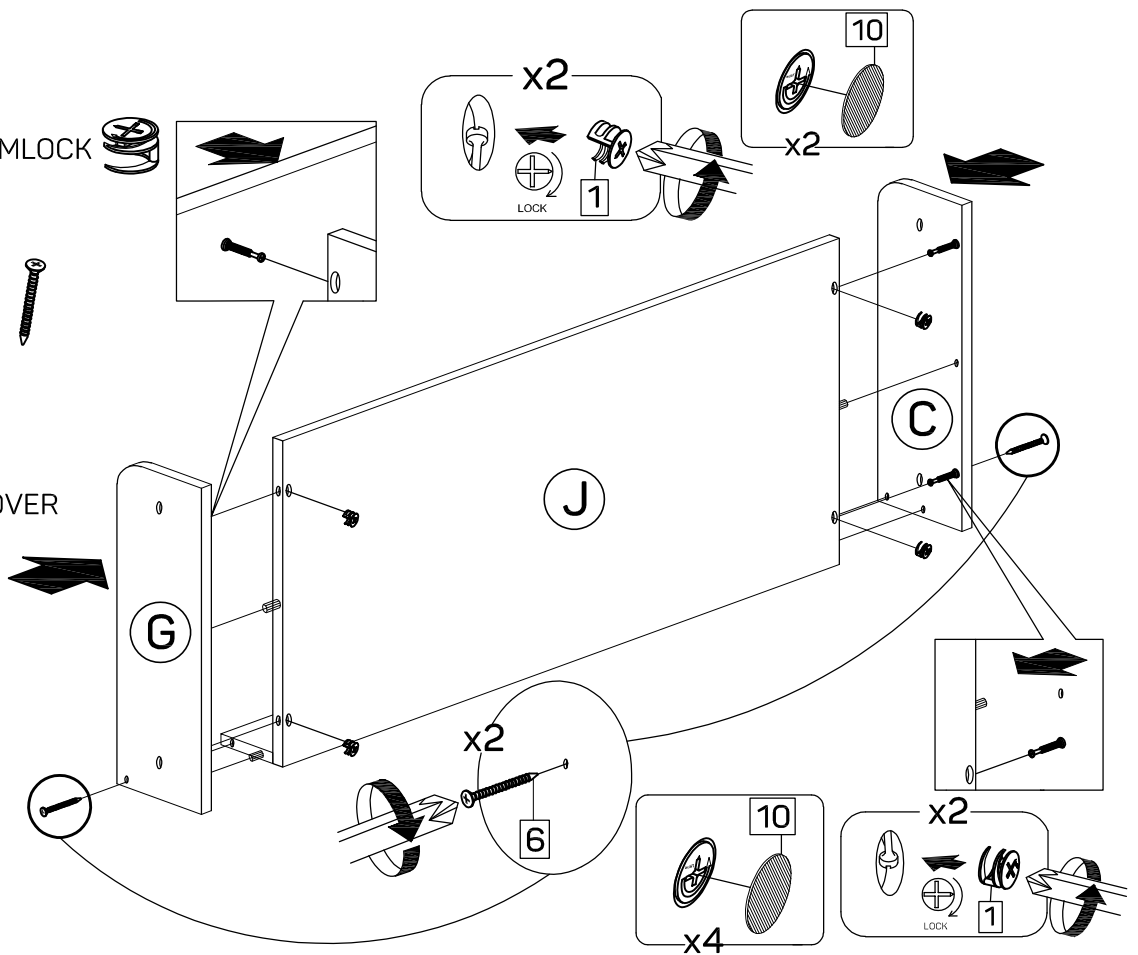


STEP 11

- ① 0.59"
FEMALE CAMLOCK
4pcs

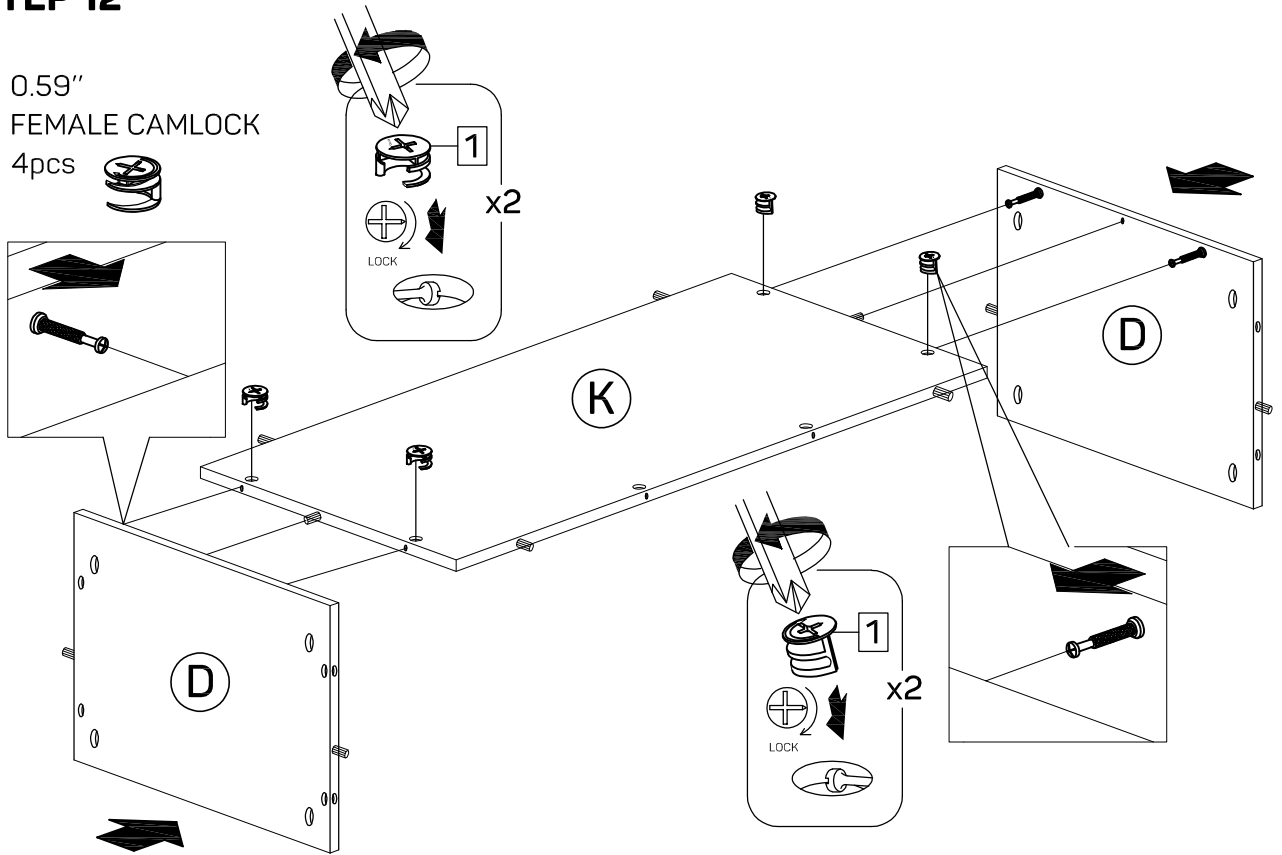
- ⑥ 0.31" x 1.5"
FLAT HEAD
SCREW
2pcs

- ⑩ 0.87"
STICKER COVER
6pcs



STEP 12

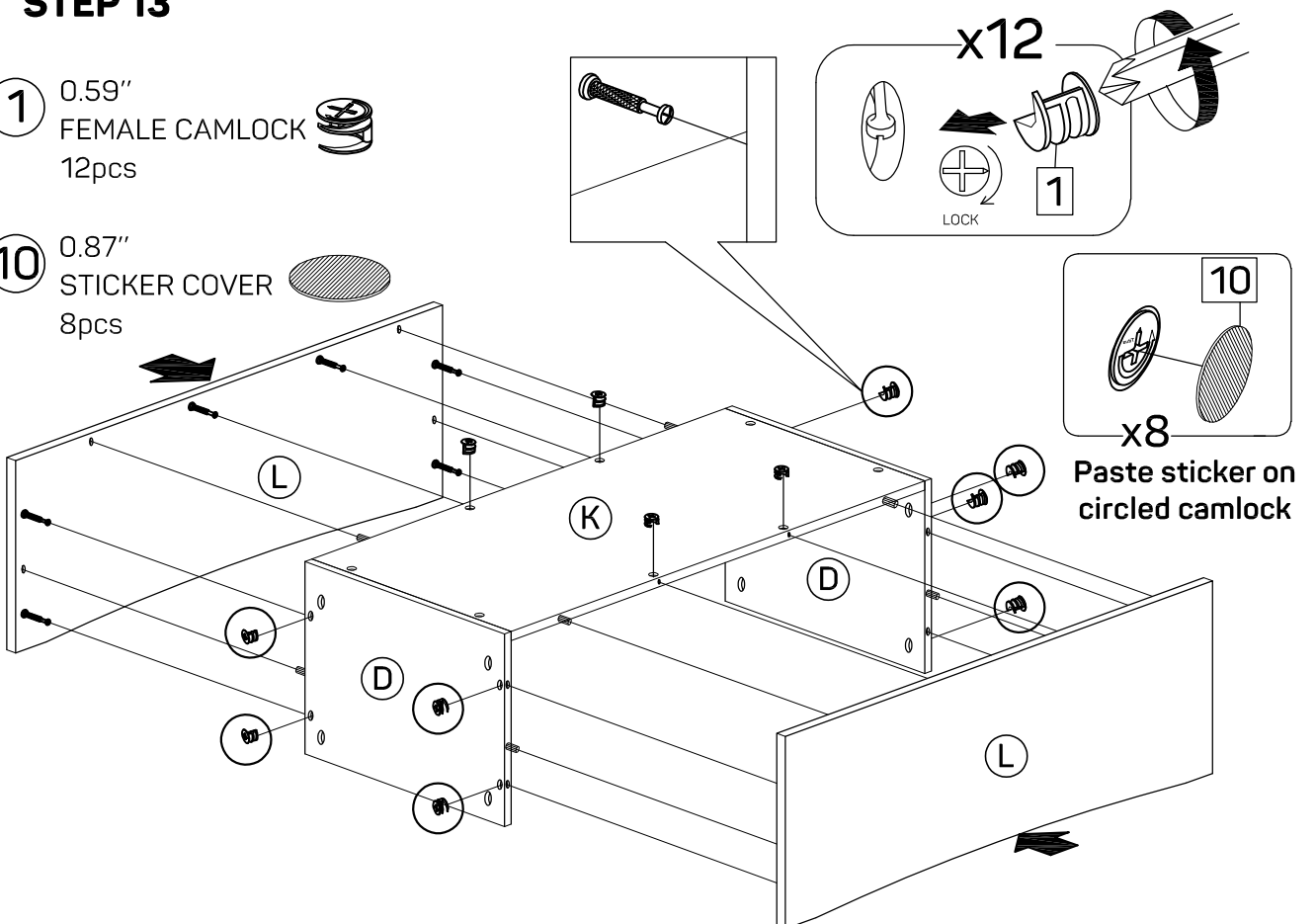
- ① 0.59" FEMALE CAMLOCK
4pcs



STEP 13

- ① 0.59" FEMALE CAMLOCK
12pcs

- ⑩ 0.87" STICKER COVER
8pcs



STEP 14

② 0.24" x 0.59"
ALLEN HEAD SCREW NUT
20pcs



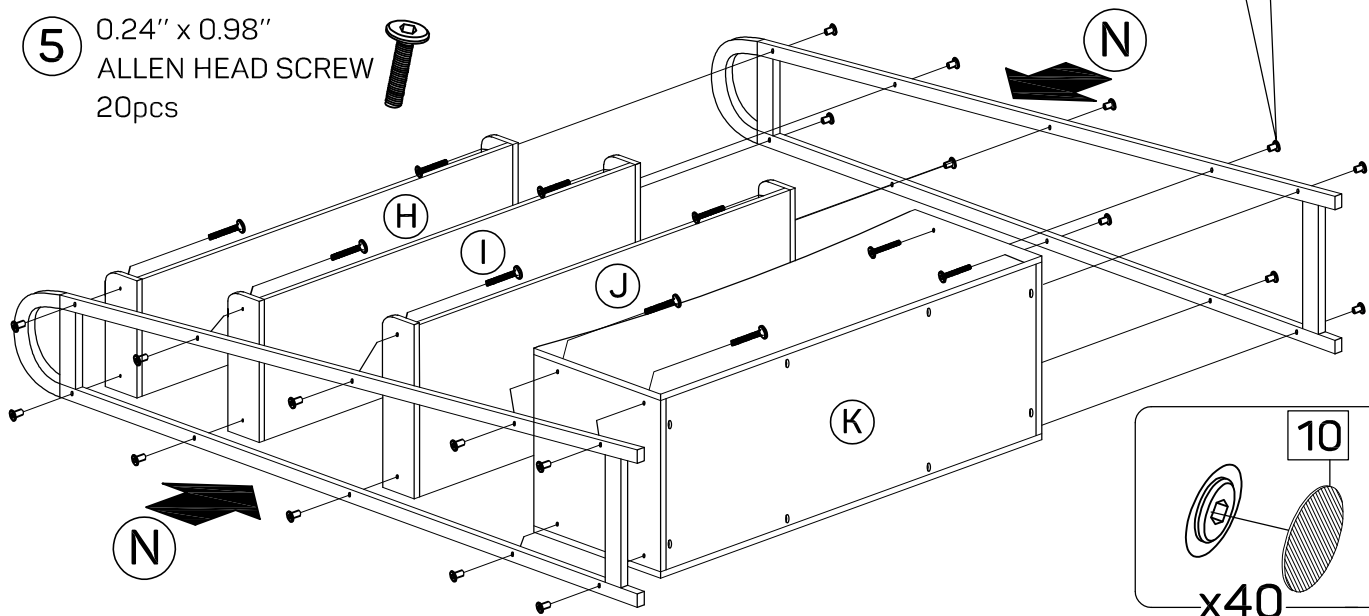
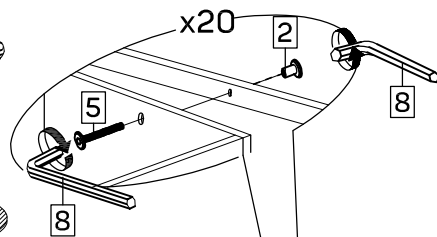
⑤ 0.24" x 0.98"
ALLEN HEAD SCREW
20pcs



⑧ 0.16"
ALLEN WRENCH
2pcs

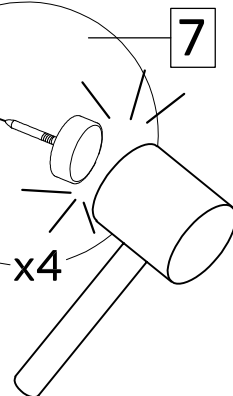
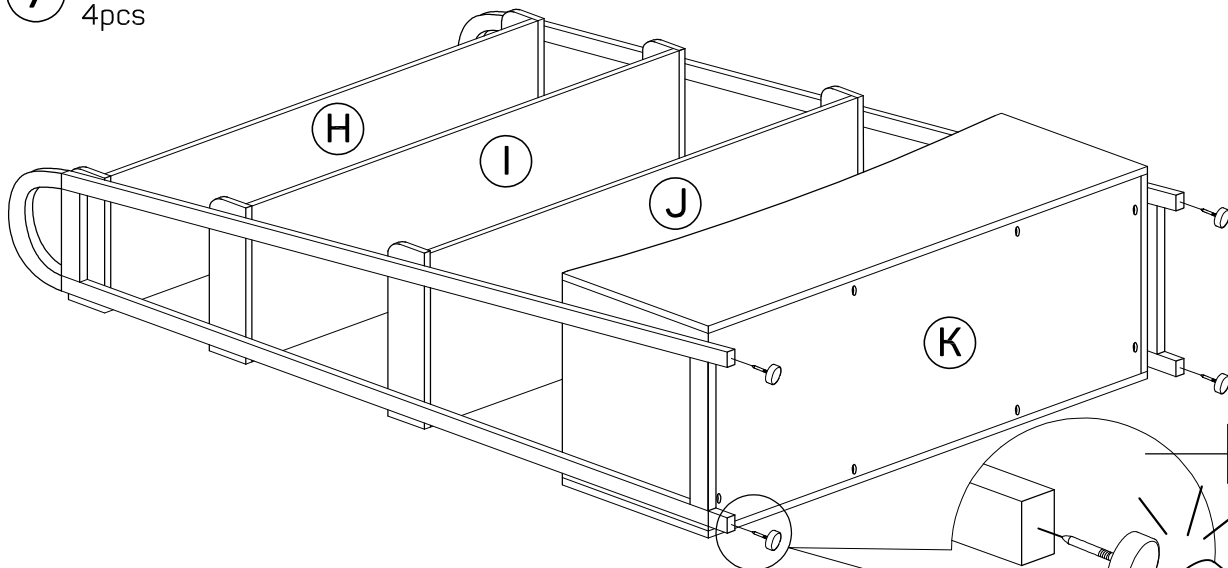


⑩ 0.87"
STICKER COVER
40pcs



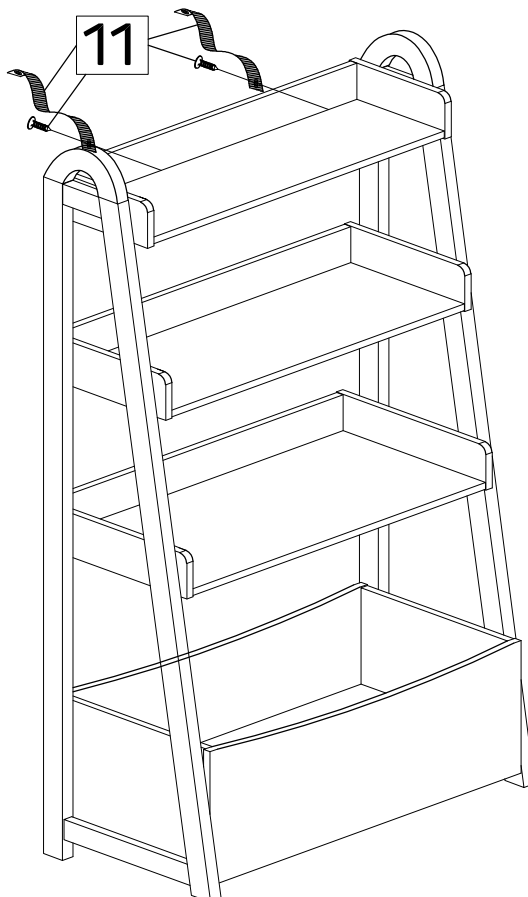
STEP 15

⑦ FLOOR GLIDE
4pcs

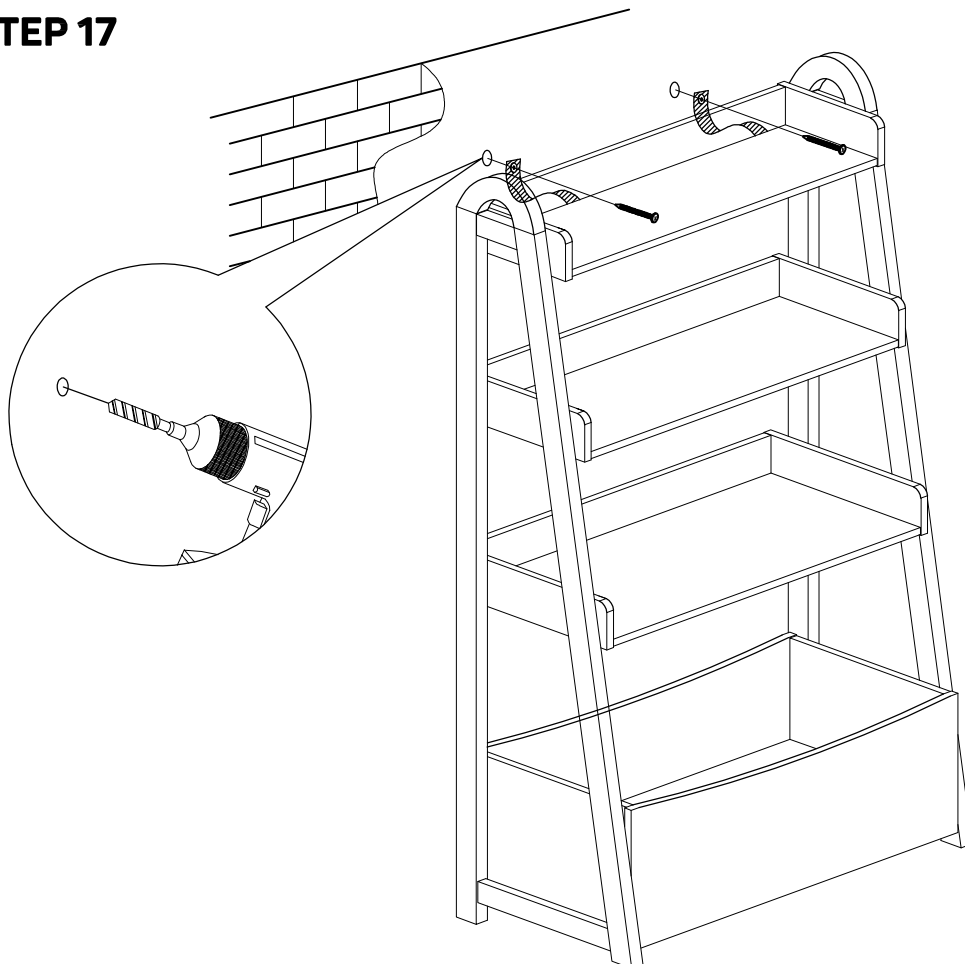


STEP 16

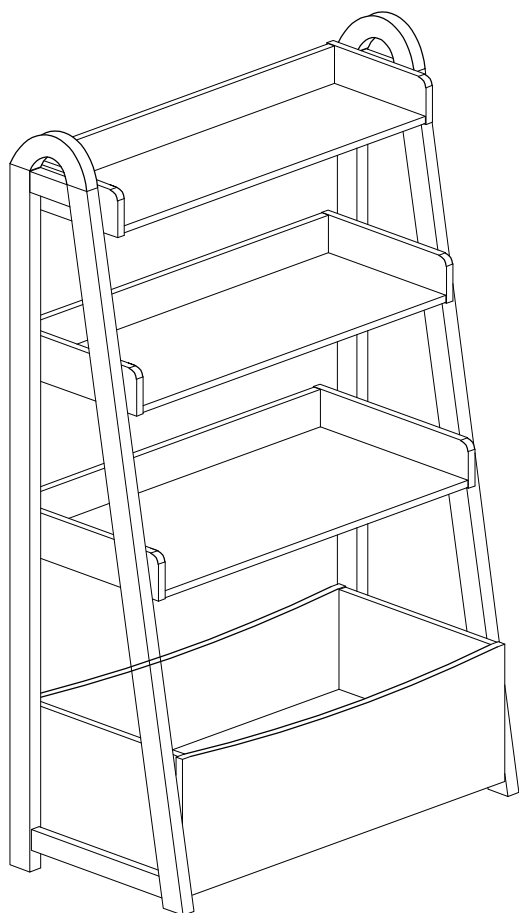
11 ANTI TIP STRAP
2pcs



STEP 17



STEP 18



Quality and Safety Guidelines:

- Please follow the static and dynamic weight capacity limits provided on this item. If you are unsure of the weight capacities for this product, email us at customerexperience@theubiquegroup.com or call 866-552-2810.
- Please use this item on a stable, level surface only. All legs, feet should contact the flooring surface when in use. Do not use this item if any instability is detected.
- Please install and use anti-tipping devices/wall anchor kits as instructed by the assembly instructions. Serious or fatal crushing injuries can occur from tipping furniture. The wall anchor kit is not a substitute for proper adult supervision. Use of the tip over restraints may only reduce, but not eliminate the risk of tip over.
- Never push, pull or drag this product.
- For maintenance instructions and replacement parts, please email us at customerexperience@theubiquegroup.com or call 866-552-2810.
- This item is intended as a bookshelf only. Do not climb, hang, stand or sit on this item. Do not use this item as a TV stand. Do not place heavy objects on top of this product.
- The item is intended to be used indoors.
- Please inspect this product regularly to make sure there are no damaged or worn parts. Also inspect to make sure all hardware is tightened correctly and securely. For inspection instructions, please email us at customerexperience@theubiquegroup.com or call 866-552-2810.
- If any parts are damaged or worn, please stop using the product. Repair this product with manufacturer supplied parts only.
- For product longevity, product safety and product integrity, protect from wet and humid weather or other wet, humid or moist conditions and store indoors in a dry location. For additional storage and usage instructions, please email us at customerexperience@theubiquegroup.com or call 866-552-2810.
- Please visit www.theubiquegroup.com for our product warranty details or email us at customerexperience@theubiquegroup.com or call 866-552-2810.