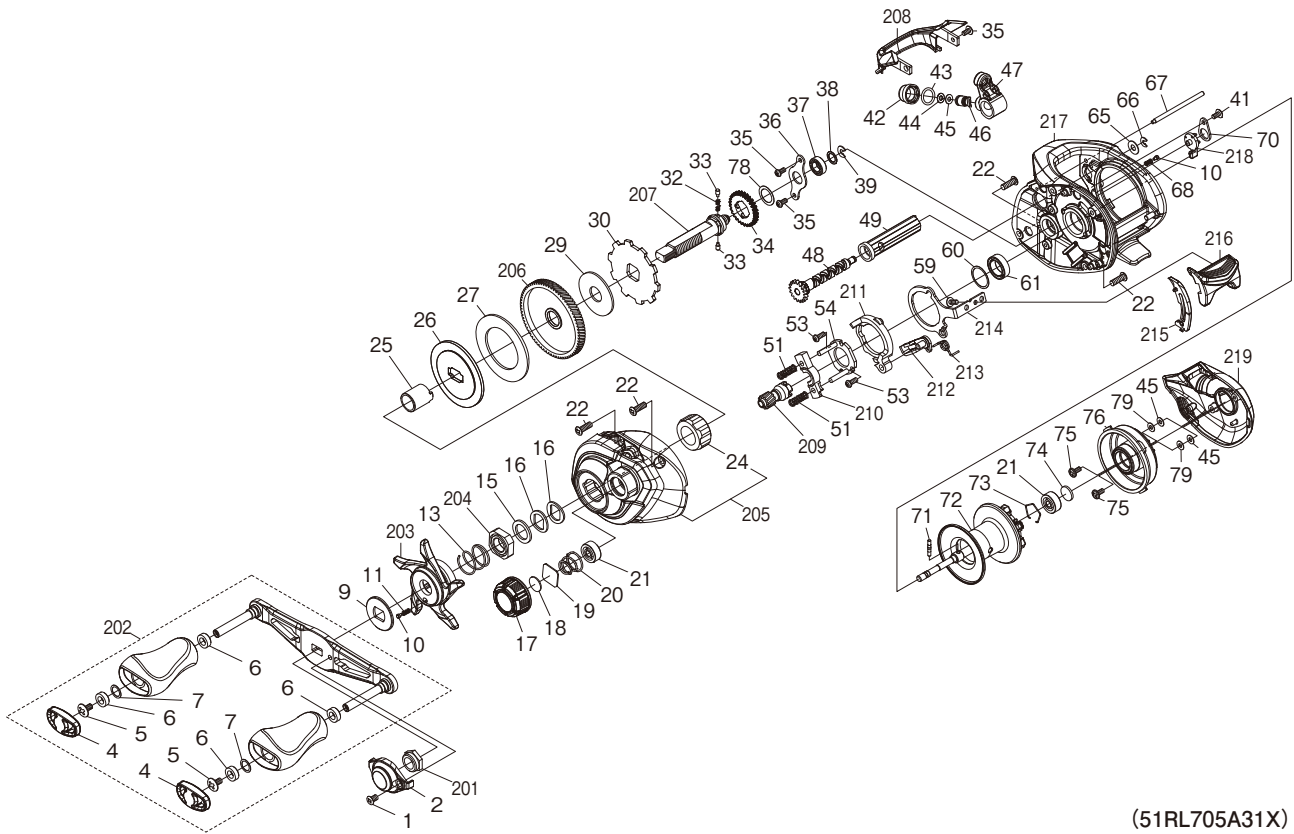


SHIMANO

CAIUS

CIS151HGC



(51RL705A31X)

#	Part No.	Description	#	Part No.	Description	#	Part No.	Description
1	10DV5	Screw	34	101K8	Idle Gear	72	145NX	Spool Assembly
2	140ZY	Handle Nut Plate	35	10R1R	Screw	73	1054D	Bearing Retainer
4	100NC	Handle Knob Seal	36	109T1	Drive Shaft Retainer	74	10EX5	Bearing Spacer
5	10LFA	Screw	37	10DQF	Drive Shaft Bushing	75	10SH0	Screw
6	10PXZ	Bushing	38	10G6D	Washer	76	146TN	Dial Case
7	104FH	Washer	39	105NK	E Lock	78	10GR3	Washer
9	10J22	Star Drag Click Plate	42	10FJB	Pawl Cap	79	10K9C	Washer
10	10MFC	Click Pin	43	108WQ	O Ring	201	10FSN	Handle Nut
11	10BT2	Click Spring	44	10CFU	Washer	202	1019Q	Handle Assembly
13	10A70	Star Drag Spring	45	104TX	Washer	203	10R0H	Star Drag
15	10J1P	Star Drag Spacer	46	10BHQ	Worm Shaft Pin	204	10A3U	Star Drag Nut
16	109F5	Washer	47	10DUG	Line Guide Assembly	205	146TK	A Side Plate Assembly
17	140ZV	Cast Control Cap	48	140ZU	Worm Shaft	206	10CME	Drive Gear
18	10896	Cast Control Spacer (B)	49	100UF	Level Wind Guard	207	100VZ	Drive Shaft
19	1085F	Cast Control Spacer (A)	51	10487	Yoke Spring	208	1461N	Level Wind Protector
20	10TMT	Spool Tension Spring	53	10L1R	Screw	209	10CSD	Pinion Gear
21	105C3	Ball Bearing	54	10F3X	Clutch Cam Retainer	210	1046W	Yoke
22	10LFP	Screw	59	10LF4	Screw	211	10K0P	Clutch Cam
24	10F5C	Roller Clutch Bearing	60	10190	Washer	212	10MQM	Clutch Pawl Assembly
25	145N1	Roller Clutch Inner Tube	61	10EX6	Ball Bearing	213	10TMC	Clutch Pawl Spring
26	10SSR	Key Washer	65	10FJZ	Washer	214	143H4	Clutch Plate
27	10R3D	Drag Washer	66	105NC	E Lock	215	1461P	Clutch Bar Guide B
29	10CHX	Drag Washer	67	100UT	Stabilizer Bar	216	10SBC	Clutch Button
30	10D73	Anti-reverse Ratchet	68	10GQZ	Click Spring	217	146TJ	Frame Assembly
32	10JDY	Idle Gear Spring	70	101UL	Cam Lever Retainer	218	10BAZ	Side Plate Cam Lever
33	10HJG	Idle Gear Pin	71	10P67	Spool Clutch Pin	219	1461Q	B Side Plate

Please note that the number of adjusting washers may not be the same as shown in the exploded views.
(Adjustment will vary with each individual product.)

(240514)_003