

# **SPEAKMAN®**

ALM3-C1D2, ALM3-C1D2-DPDT

## **Installation, Operation & Maintenance Instructions**

ALARM SYSTEM

### **DESCRIPTION**

Emergency equipment alarm with electro-mechanical vibrating horn and flashing LED light activated by a vapor proof flow switch. Unit is also equipped with a silencing pushbutton to shut horn off during usage. Alarm unit meets indoor/outdoor hazardous location requirements for Class 1 Division 2, Groups B,C,D, T4, NEMA 4 electrical classification. (ALM3-C1D2-DPDT) product is supplied with double-pole, double-throw flow switch for remote location signaling.

### **SPECIFICATIONS**

ACTIVATOR: ¾" Vapor Proof Flow Switch.

- ALM3-C1D2: (SPDT) Single-Pole Double Throw.
- ALM3-C1D2-DPDT: (DPDT) Double-Pole Double Throw

HORN: 100dB @ 10 Ft.

LIGHT: 65 fpm, LED Light

INLET: 1" NPT Female

OUTLET: 1-1/4" NPT Female

SHIPPING WEIGHT: 21 lb.

### **ELECTRICAL DATA**

ELECTRICAL SUPPLY: 120 VAC, 60 Cycle, Single Phase.

ELECTRICAL RATING: 3.9 Amps @ 120 VAC.

COMPLIANCE: Unit rated for NEMA 4 Indoor/Outdoor Hazardous Locations  
Class 1 Division 2, Groups B,C,D, T4, NEMA 4

\*Power supply to be in compliance with (N.E.C.) **National Electric Code.**

\*Installation of this unit shall be in compliance with all (NEC) National Electric Code, and any other applicable state or local.

### **OPTIONS**

ALM-MTG BRACKET	Retro-Kit for Fixed Post Mount
-----------------	--------------------------------

### **INSTALLATION**

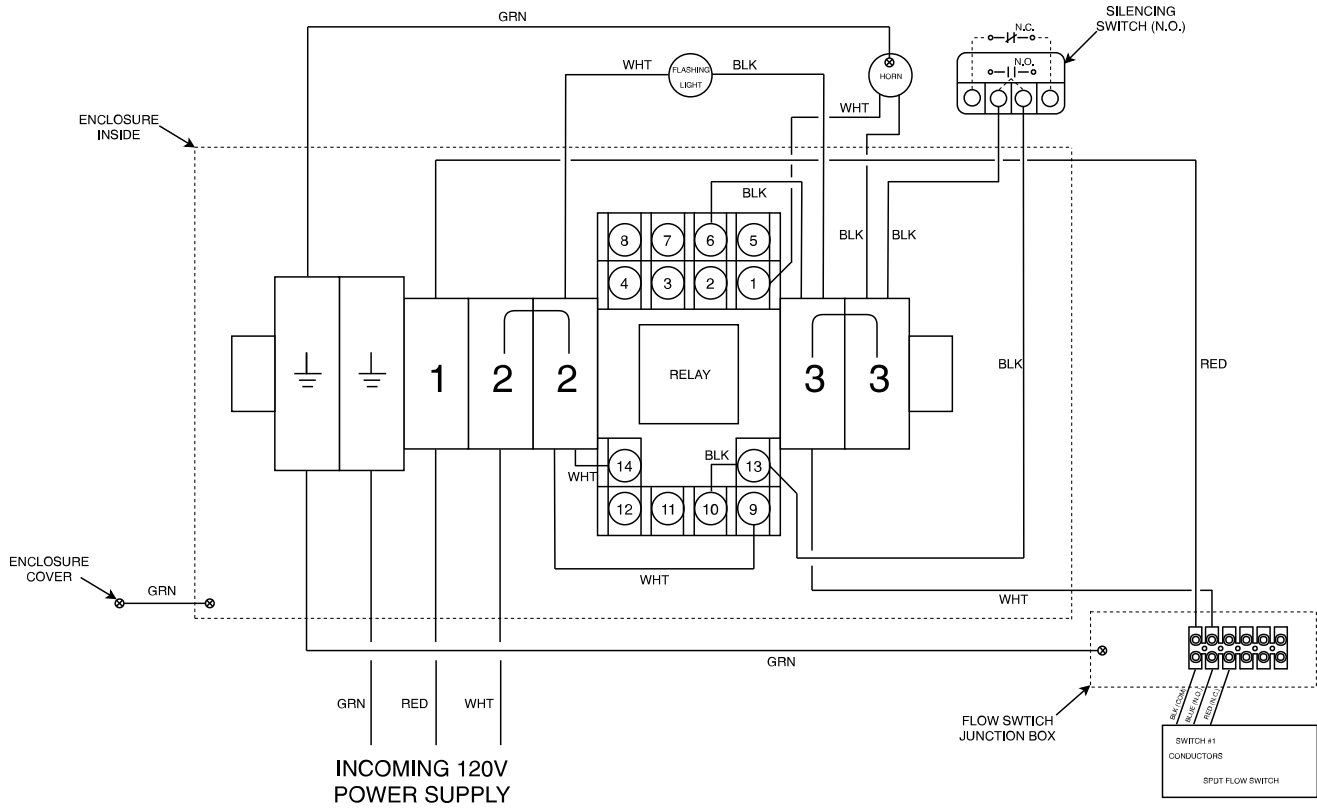
To avoid electric shock, make sure power supply is shut off before doing any electrical maintenance to this unit. Power supply requirement is 120 VAC, 60 cycle, single phase. Ground-fault protection should be GFPD with a nominal 30 milliampere trip level to prevent nuisance tripping. Minimum 15 AMP breaker is required. Make sure power supply and installation is in compliance with all local codes and the National Electric Code (N.E.C.).

120V Power Supply Wiring Diagram: (See Next Page)

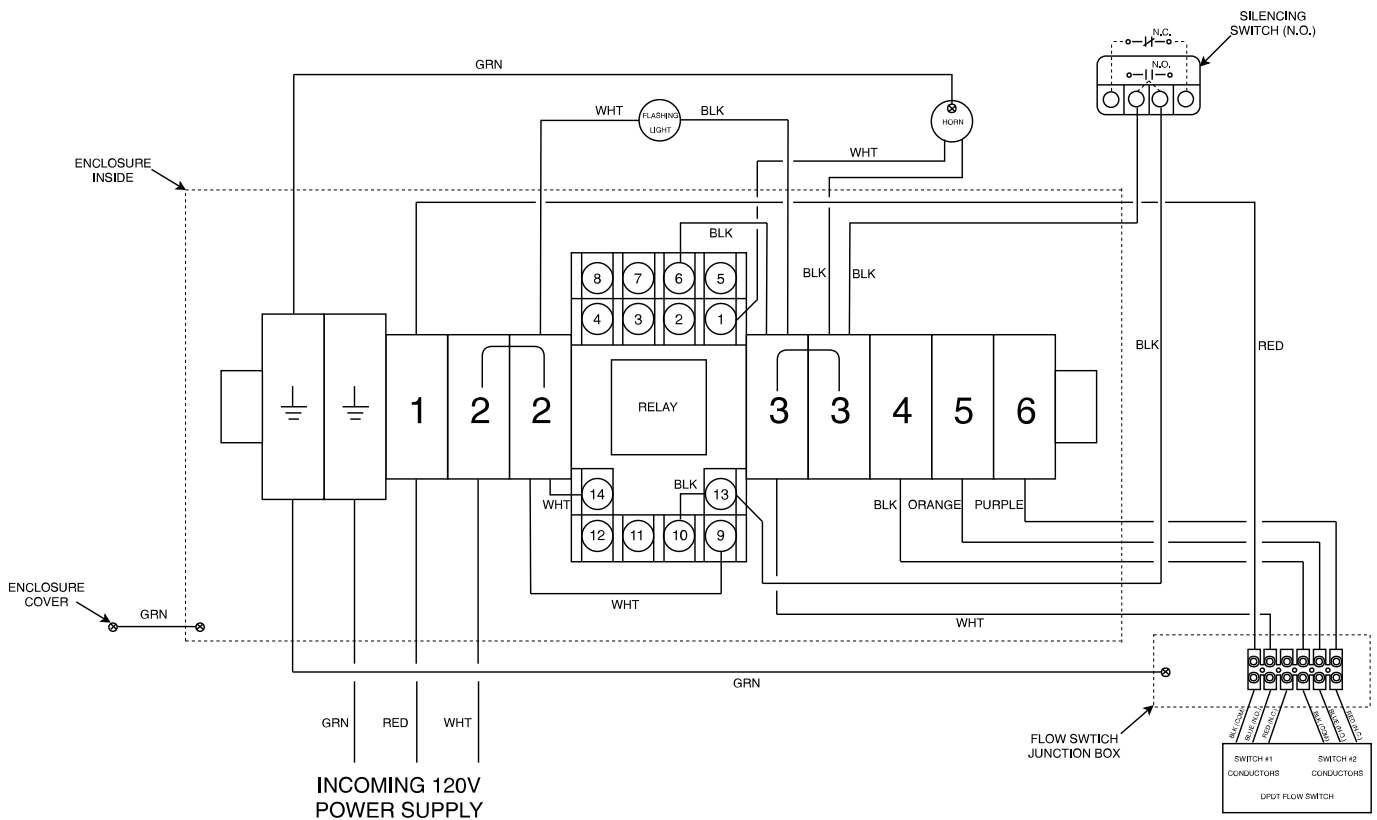
1. Connect HOT (labeled below as Red) wire into Contact Block #1,
2. Connect Neutral (White) wire into Contact Block labeled #2.
3. Connect Ground (Green) wire into Ground Contact Block, left of Contact Block #1

# **SPEAKMAN®**

## ALM3-C1D2-SPDT Wiring Diagram



## ALM3-C1D2-DPDT Wiring Diagram



**SPEAKMAN®**

## OPERATION

Alarm sounds and lights flashes automatically when emergency equipment is activated. This continues until the emergency equipment is deactivated. This model alarm is supplied with a "Silencing" Push Button located on the front of the alarm enclosure that can be pushed to shut the Horn off during normal operation of the alarm, and will automatically reset once alarm is deactivated when emergency shower or eyewash is shut off.

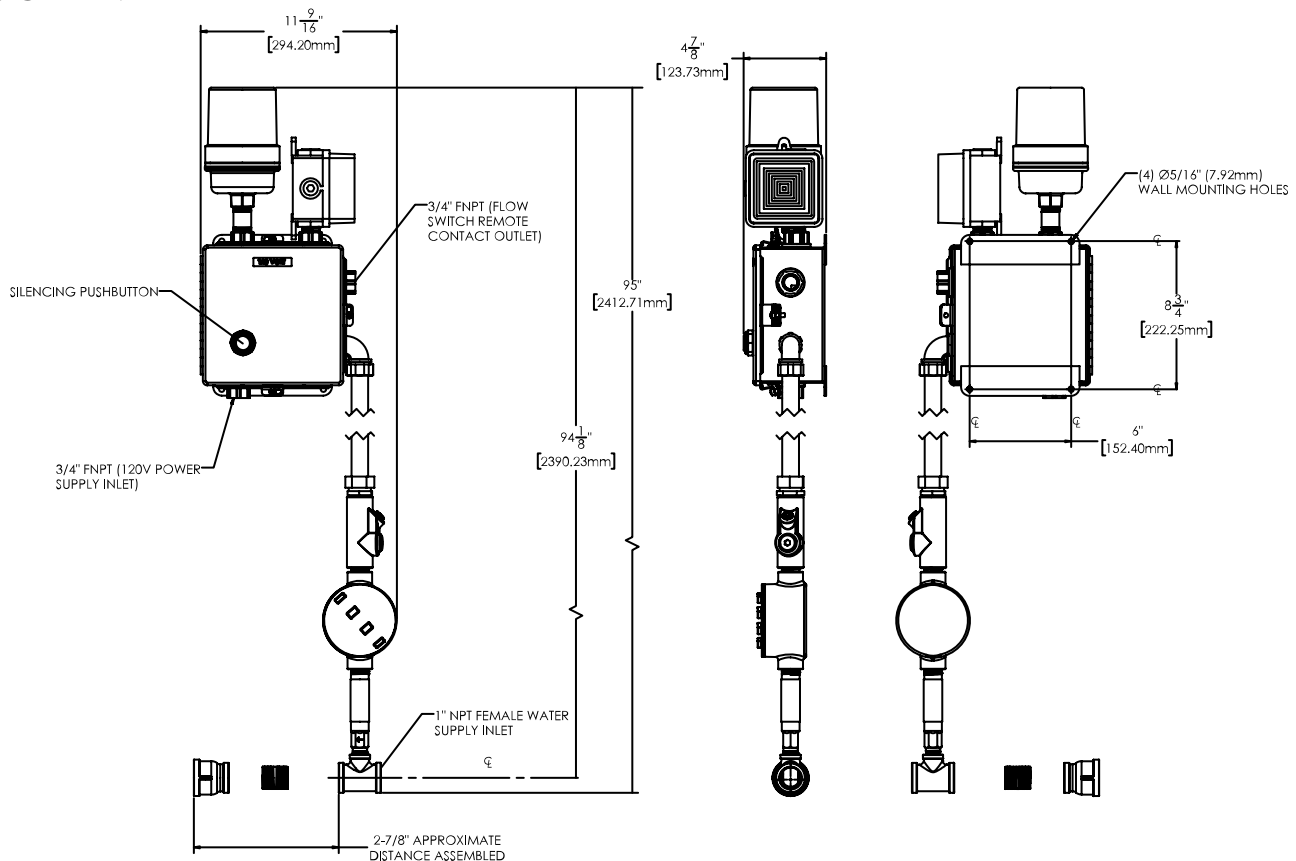
## TESTING PROGRAM

The American National Standards Institute (ANSI) states that all safety emergency equipment shall be activated on a weekly basis to flush the line and verify proper operation. Speakman Company furnishes a testing record tag (91-0635) with each unit. On this tag the date of inspection and the inspector's initials should be noted.

## MAINTENANCE

To avoid electric shock, make sure power supply is shut off before doing any electrical maintenance to this unit.

## ROUGH-IN



Note: All units meet existing ANSI Z358.1 Standards and OSHA Rules. Product improvements may cause specification and dimensional changes without notice.

## REPLACEMENT/REPAIR PARTS

ITEM	PART/GROUP #	DESCRIPTION
1	RPG76-110060	Visual Flashing LED Light

**WARNING:** Use only genuine Speakman parts when repairing or replacing components. To order parts call 1-800-537-2107.

**SPEAKMAN®**

400 Anchor Mill Rd. New Castle, DE 19720 Phone: 800-537-2107 Fax: 800-977-2747  
07/17/18 www.speakman.com 92-ALM3-C1D2-01