









MAGNETIC WALL WHITEBOARD DYG-5811

Review all information before using this product. Save this manual for future reference.



 Inspect packaging to ensure all parts are accounted for before disposing of packing materials. Save the packing slip.

No.	PARTS	QTY.
A	 Whiteboard	1
B	 Drywall Anchor	2
C	 M6x29mm Screw	2

TOOLS REQUIRED (not included)	
	Pencil
	Power Drill with 6mm Drill Bit
	Phillips Screwdriver
	Tape Measure

⚠ WARNING
CHOKING HAZARD — This item contains small parts that can be swallowed. Keep children and pets away during assembly.

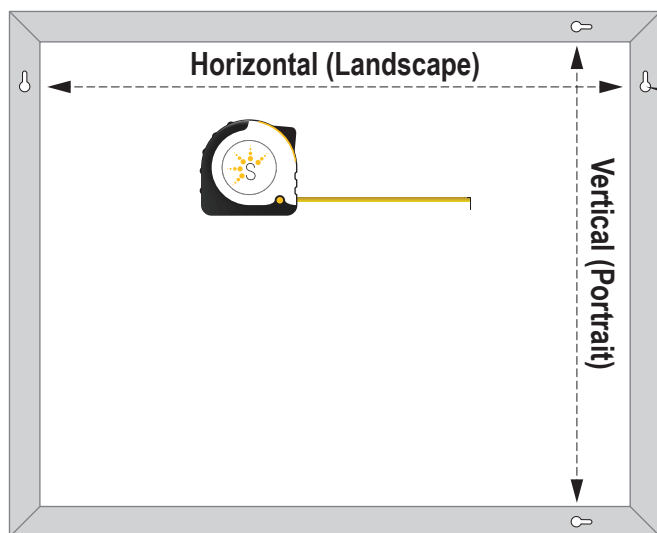
⚠ WARNING:

Manufacturer and seller expressly disclaim any and all liability from personal injury, property damage or loss, whether direct or indirect, or incidental, resulting from the incorrect attachment, improper use, inadequate maintenance, or neglect of this product.

INSTALLATION

STEP 1

A: 1



Place Whiteboard (A) face-down on a soft, clean surface.

Carefully measure the distance between the center of the flush mount brackets.

STEP 2



Carefully measure and mark the wall with the mounting hole distance.

TIP: Measure again to ensure accuracy.

STEP 3



Drill pilot holes.

STEP 4

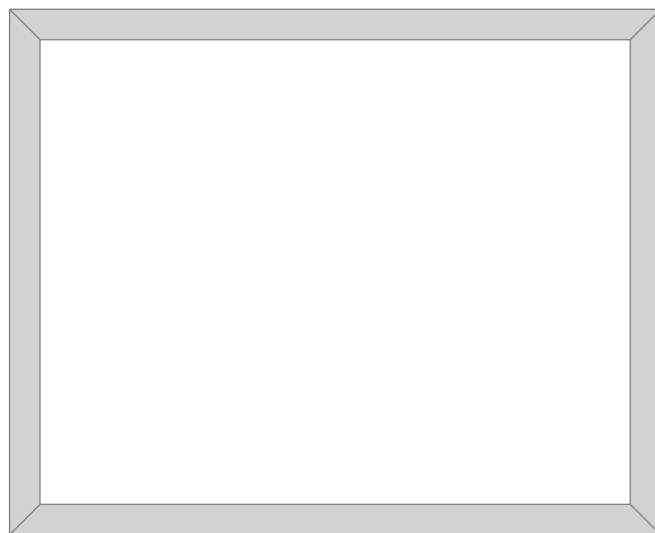
E: 2

F: 2



Press Drywall Anchors (E) into the pilot holes.
Install Screws (F) about 3/4 into the wall anchors.

STEP 5



Hang the whiteboard.

Care & Maintenance

SAFE USE: It is the installer's responsibility to ensure all mounting systems are properly installed. Failure to ensure adequate structural strength for the mounting system can result in personal injury or damage to the product. Only use the mounting system as described in the instructions.

CARE: Only use dry erase markers (not included) on the writing surface.

If permanent marker is accidentally used, simply grab a fresh dry erase marker and draw over the permanent marker ink. Allow to dry, then use a whiteboard eraser to remove the fresh markings. Note, this method does not guarantee removal of permanent marker.

CLEANING: Do not use abrasive cleaning agents or materials. Use a dry eraser to clean the surface. For basic cleaning, use a soft cloth and suitable dry erase board cleaning solution. Simply dampen the cloth with the cleaning solution and rub the whiteboard surface. Rinse the cloth with cold water and use it to wipe away any remaining cleaning solution from the writing surface. Allow the surface to thoroughly dry before using.

For stubborn stains, rubbing alcohol, hand sanitizer, nail polish remover containing acetone, vinegar, and glass cleaner are safe to use on a whiteboard.

For the frame, follow the woodgrain with a soft cloth to remove dust, dirt, and debris. Do not use chemicals or abrasive materials as they will damage the wood and/or finish.

Do not soak the board as doing so will permanently damage the product.

WARNING: THE ONE-YEAR WARRANTY DOES NOT COVER DAMAGES OR DEFECTS CAUSED BY THE APPLICATION OF CHEMICAL TREATMENTS, PROTECTIVE COATINGS, OR CLEANING PRODUCTS.

SAFETY STATEMENTS & WARNINGS

- This product is not intended for use by children.
- Avoid long-term exposure to sunlight.
- Avoid placing near heating or cooling vents as forced air is be very drying and could damage the wood.
- Do not soak the board as doing so my result in permanent damage.

Any modification to the product or failure to follow recommended care will void the product warranty.

*If you experience issues or the product was damaged during shipping,
please contact our customer service team through one of the methods mentioned at the top of page 1.
Please have the item number and order information ready to expedite response time.*

WARNING:

Manufacturer and seller expressly disclaim any and all liability from personal injury, property damage or loss, whether direct or indirect, or incidental, resulting from the incorrect attachment, improper use, inadequate maintenance, or neglect of this product.