

Installation Instructions

Medicine Cabinet

Record your model number:

Noter le numéro de modèle:

Anote su número de modelo: _____

Français, page 13

Español, página 24

KOHLER®

Thank You for Choosing KOHLER

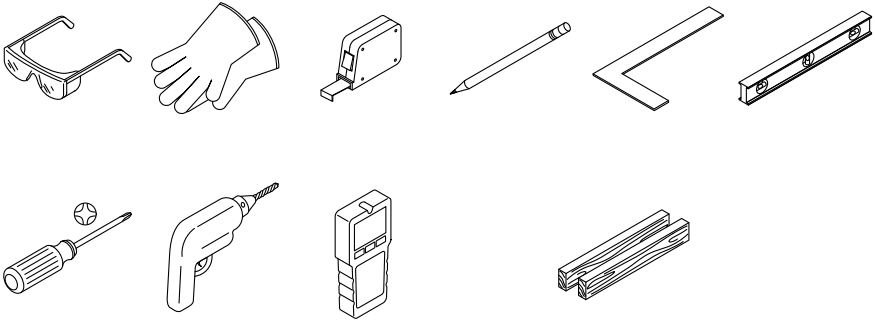
Need help? Contact our Customer Care Center.

- USA/Canada: 1-800-4KOHLER (1-800-456-4537) Mexico: 001-800-456-4537
Hours of Operation: Monday-Friday 8:00 AM -5:00 PM (CT)
Languages Spoken: English, Spanish, and translation services are available.
- **Service parts:** [kohler.com/serviceparts](https://www.kohler.com/serviceparts)
- **Care and cleaning:** [kohler.com/clean](https://www.kohler.com/clean)
- **Patents:** [kohlercompany.com/patents](https://www.kohlercompany.com/patents)

Warranty

This product is covered under the **KOHLER® One-Year Limited Warranty**, found at [kohler.com/warranty](https://www.kohler.com/warranty). For a hardcopy of warranty terms, contact the Customer Care Center.

Required Tools and Materials



Stud Finder 2x4 Lumber (Recess-Mount Only)



Tape

Additional Required Tools and Materials:

- Assorted Drill Bits
- Framing and Drywall Tools
- Framing and Drywall Fasteners

Before You Begin



CAUTION: Risk of personal injury. This product is heavy. Do not move or install without assistance.



CAUTION: Risk of product or property damage. The location of the cabinet is critical. Verify that the door will clear all obstacles (such as a faucet or light fixture). Verify that any obstacles behind the finished wall will not be damaged during the cutting and/or drilling process.

IMPORTANT! Reroute any electrical wires or water supply piping. If you encounter drain or vent piping or if your wall is load-bearing, consult a professional before proceeding.

This medicine cabinet is for recessed- or surface-mount installations. Follow the instructions that apply to your chosen installation.

When determining the height of the product, verify the door(s) will clear all obstacles (such as a faucet or light fixture). A minimum distance of 3" (76 mm) is required.

The product shown may differ from your actual product. The installation steps still apply.

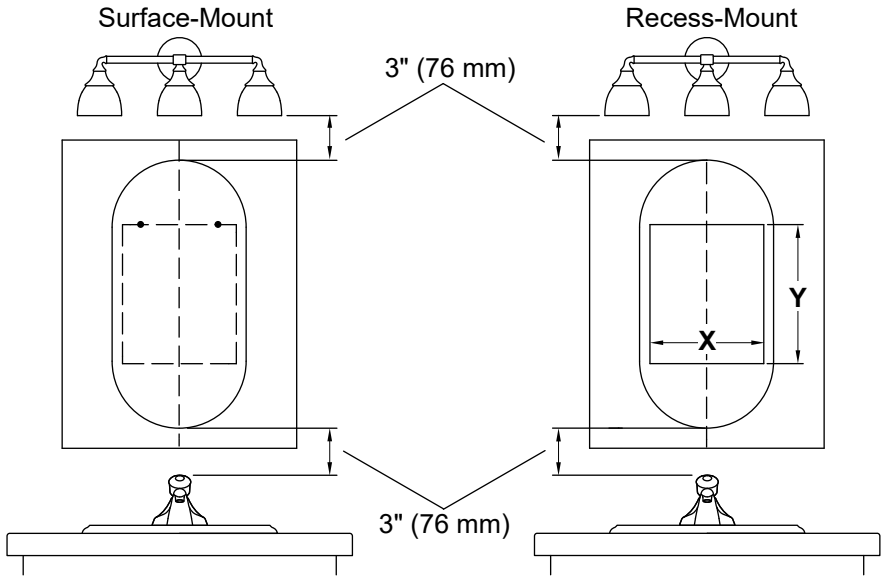
Two people should perform this installation.

Follow all local building codes.

READ AND FOLLOW ALL INSTRUCTIONS

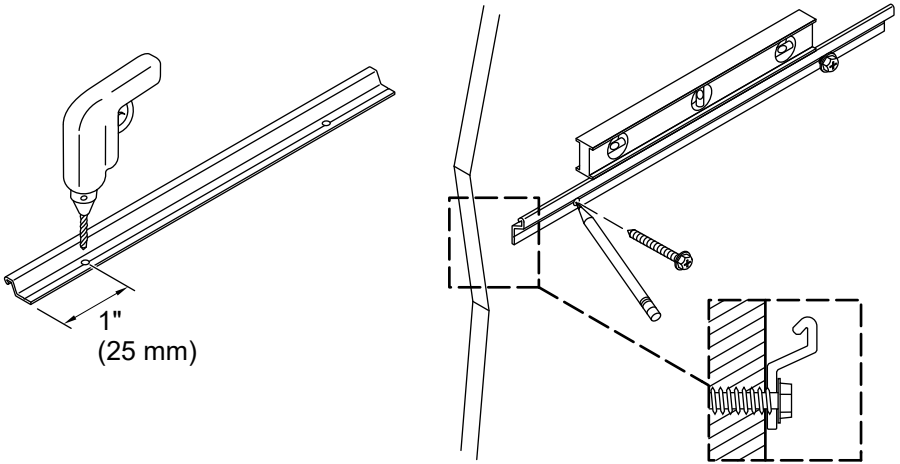
SAVE THESE INSTRUCTIONS

1. Prepare the Site



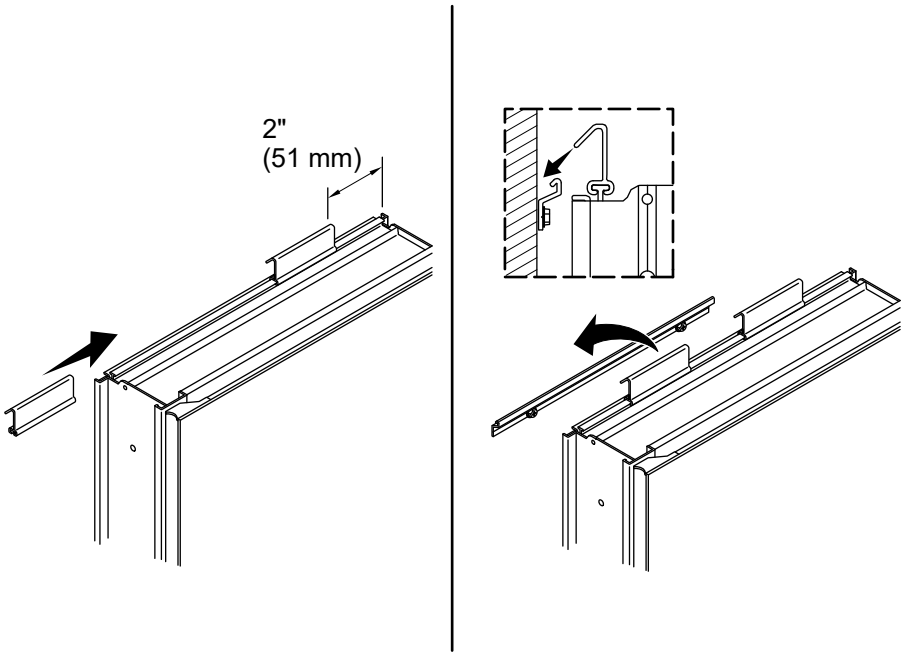
- Use tape to attach the template (provided) to the installation location.
- When determining the height of the product, verify that the door will clear all obstacles (such as a faucet or light fixture). A minimum distance of 3" (76 mm) is required.
- Surface-Mount:** Mark the position of the mounting bar according to the template. Mark the stud locations.
- Recess-Mount:** Mark the cutout according to the template.

2. Surface-Mount - Install the Mounting Bar



- Use a 3/16" drill bit to drill three (3) holes on the groove of the mounting bar. One hole must be positioned on a stud location.
- Align the mounting bar on the template.
- Mark hole locations on the wall.
- Drill holes at the marked locations on the wall.
- Insert anchors (not provided) where needed.
- Secure the mounting bar with two 2" hex head screws (provided) or screws provided with the anchors.

3. Surface-Mount - Hang the Cabinet

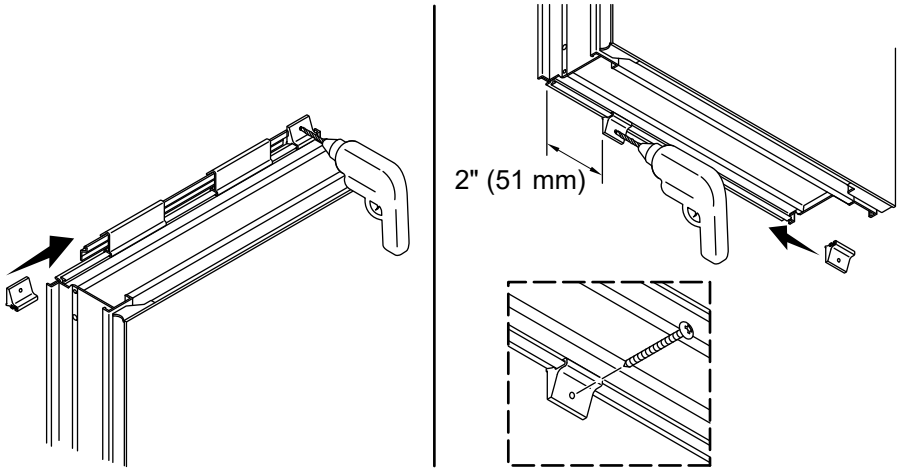


NOTE: Arch models only: The cabinet can only be installed in a left door swing orientation.

NOTE: All other models: Rotate the cabinet for right or left door swing.

- Slide the hanger hooks onto the top T-slot as shown.
- Position each hook 2" (51 mm) from the ends of the cabinet.
- Lift the cabinet onto the mounting bar.
- Verify that the hooks engage the mounting bar.

4. Surface-Mount - Secure the Cabinet



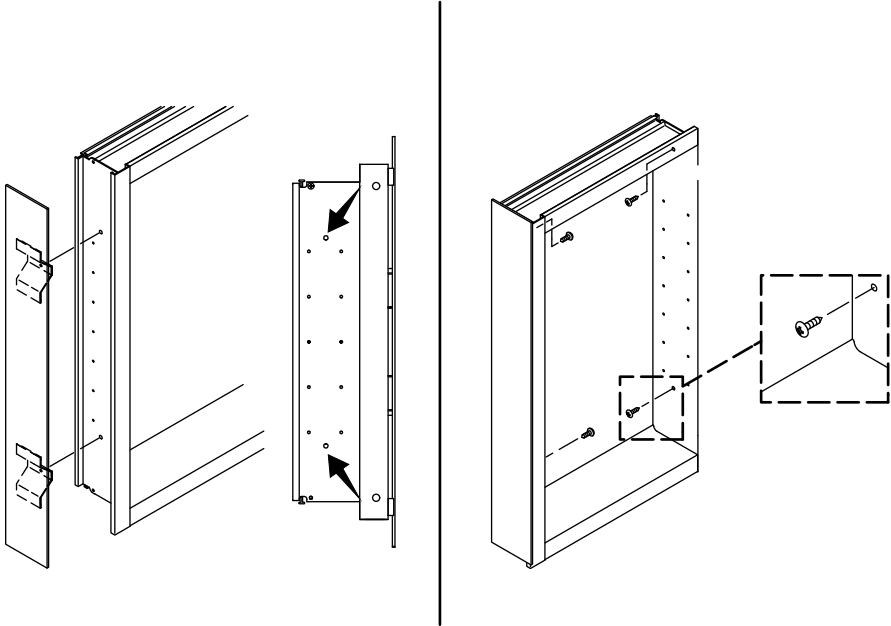
Top Clips

- Slide a clip onto each end of the top T-slot.
- Verify that the cabinet is centered as desired.
- Drill 3/32" pilot holes into the wall.
- If needed, insert the provided anchors into the wall.
- Secure the clips with the provided screws.

Bottom Clips

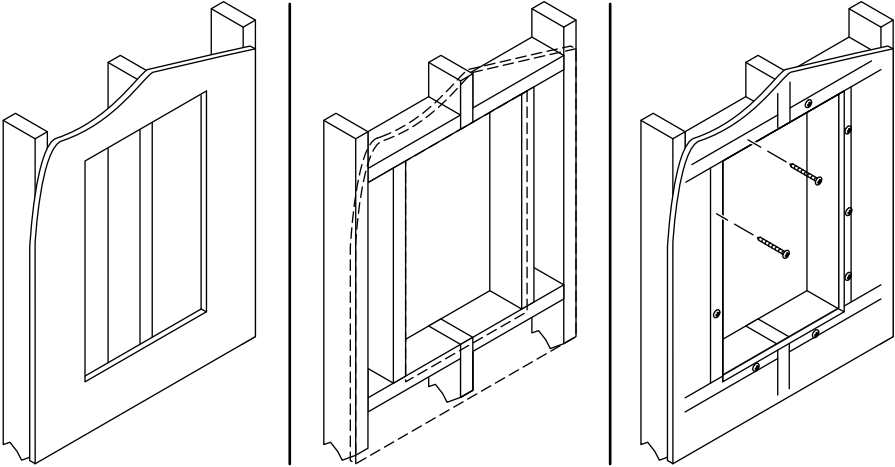
- Slide a clip onto each end of the bottom T-slot.
- Position each clip 2" (51 mm) from the ends of the cabinet.
- Drill 3/32" pilot holes and secure the clips with the provided screws.

5. Surface-Mount - Install the Side Panels



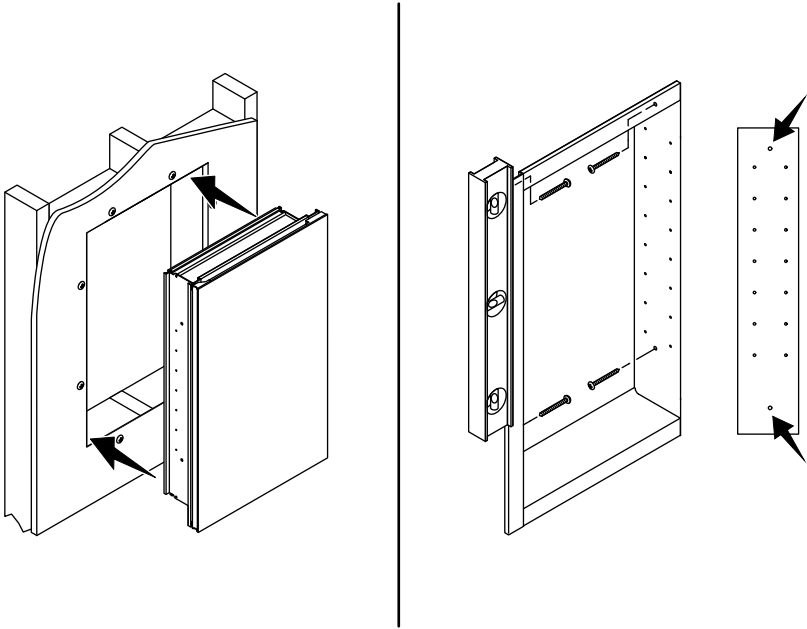
- Align the side panel brackets with the mounting holes.
- Secure each side panel with two screws (provided).
- To install the shelves, see the "Install the Shelves" section.

6. Recess-Mount - Construct the Framing



- Use a jigsaw or keyhole saw to carefully remove the finished wall material from the marked cutout location.
- Frame out the wall cavity. If needed, install a header.
- Secure the drywall to the framing.

7. Recess-Mount - Install the Cabinet

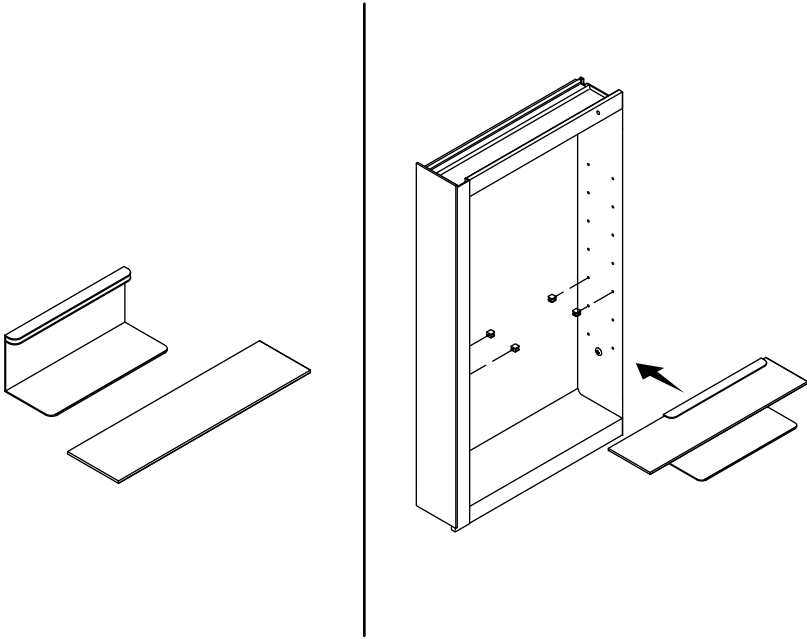


NOTE: Arch models only: The cabinet can only be installed in a left door swing orientation.

NOTE: All other models: Rotate the cabinet for right or left door swing.

- With help, lift and hold the cabinet in the cutout.
- Verify that the cabinet is level.
- Identify the two mounting holes on each side of the cabinet.
- Secure the cabinet to the framing using the four screws (provided).

8. Install the Shelves



- Determine the shelf locations and insert the slotted pins into the holes in the sides of the cabinet.
- Install the shelves between the slots of the pins.