






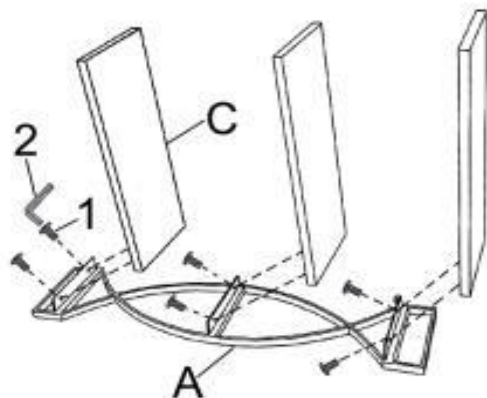
ASSEMBLY INSTRUCTIONS

Parts required

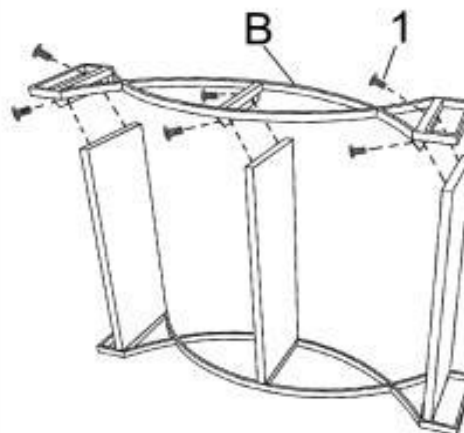
1		Bolt	Φ6*10MML	12pcs
2		Allen wrench		1pc

A		1pc
B		1pc
C		3pcs

1.



2.



3.

