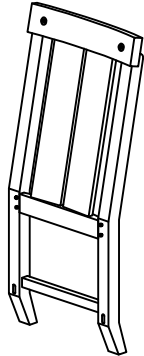

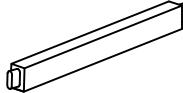
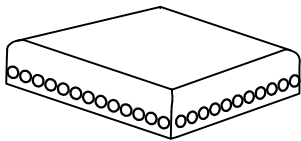
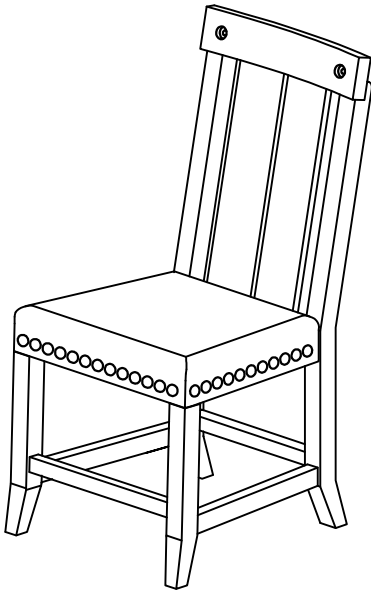
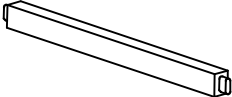

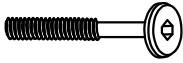



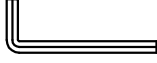



YOSEMITE STOOL ASSEMBLY INSTRUCTIONS



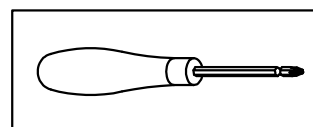
<p>A. BACK FRAME 1 PC</p> 	<p>F. LEFT STRETCHER 1 PC</p> 	<p>G. RIGHT STRETCHER 1 PC</p> 
<p>B. SEAT FRAME 1 PC</p> 	<p>YOSEMITE STOOL ASSEMBLED</p> 	
<p>C. FRONT STRETCHER 1 PC</p> 		
<p>D. LEFT LEG 1 PC</p> 		

HARDWARE ENCLOSED IN BOX

1	ALLEN BOLT M6 x 50 MM	04 PCS	2	ALLEN BOLT M6 x 70 MM	04 PCS	3	SPRING WASHER M9/11	8 PCS	4	WASHERS M9/22	8 PCS	5	ALLEN KEY N4	01 PC
														
6	SCREW M4 x 40 MM	6 PCS												
														

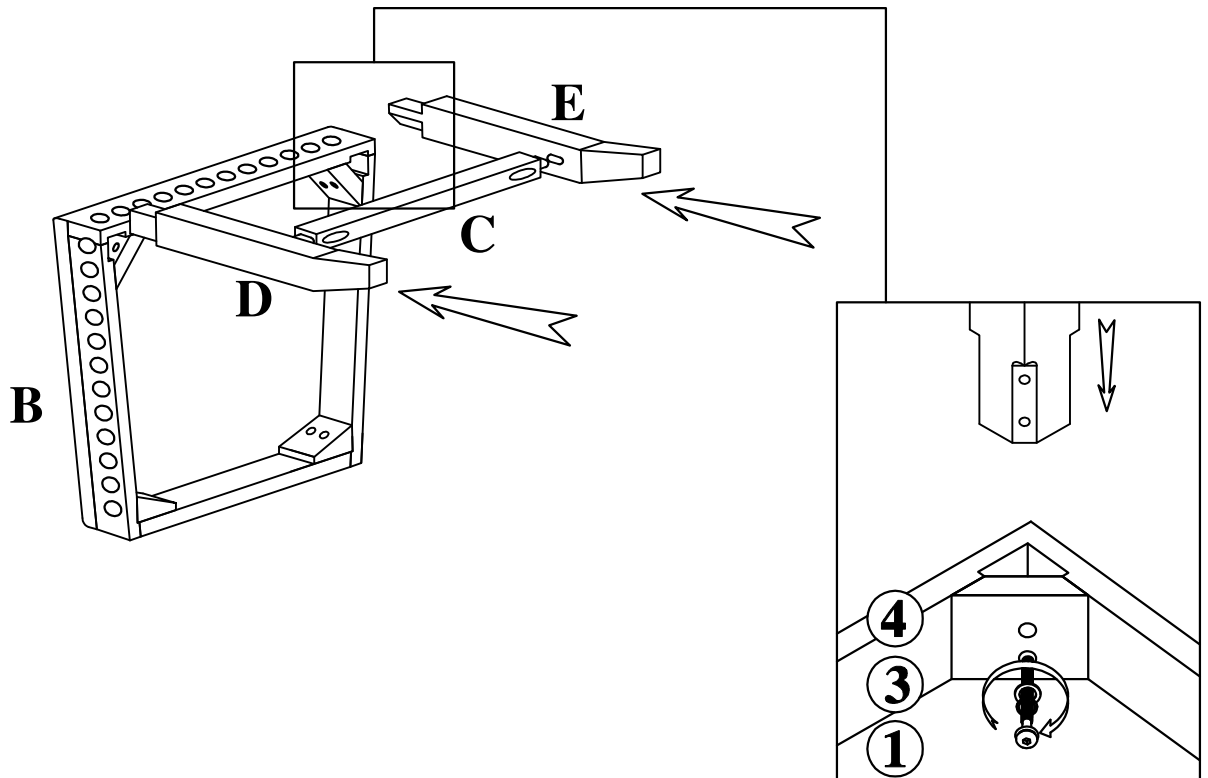
TOOL REQUIRED

PHILLIPS HEAD SCREW
DRIVER NOT PROVIDED



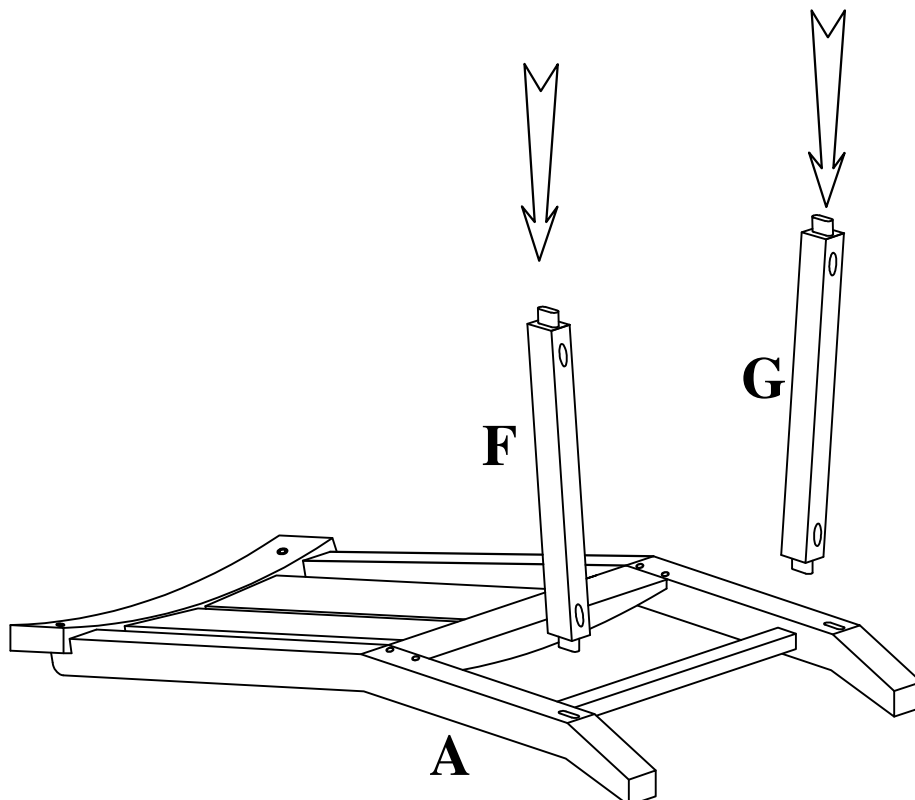
STEP 1:

Insert 2 legs (D),(E) and front stretcher (C) to seat frame (B). Connect with bolt (1) flat washer (3) and spring washer (4).



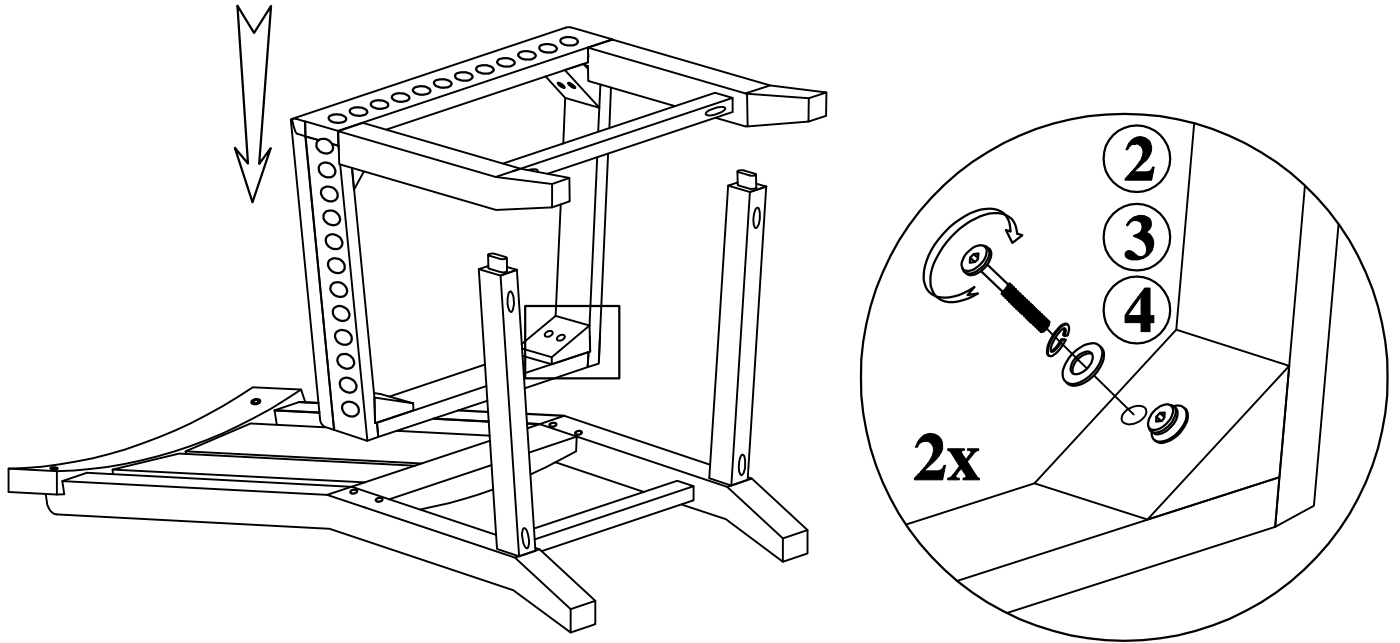
STEP 2:

Attach the stretchers (F)&(G) to the back frame (A).



STEP 3:

Connect seat frame with bolt (2), washer (3) and spring washer (4).



STEP 4:

Connect stretchers with screws (6).
Assembly complete.

