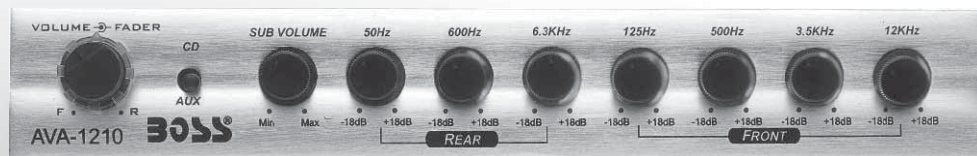
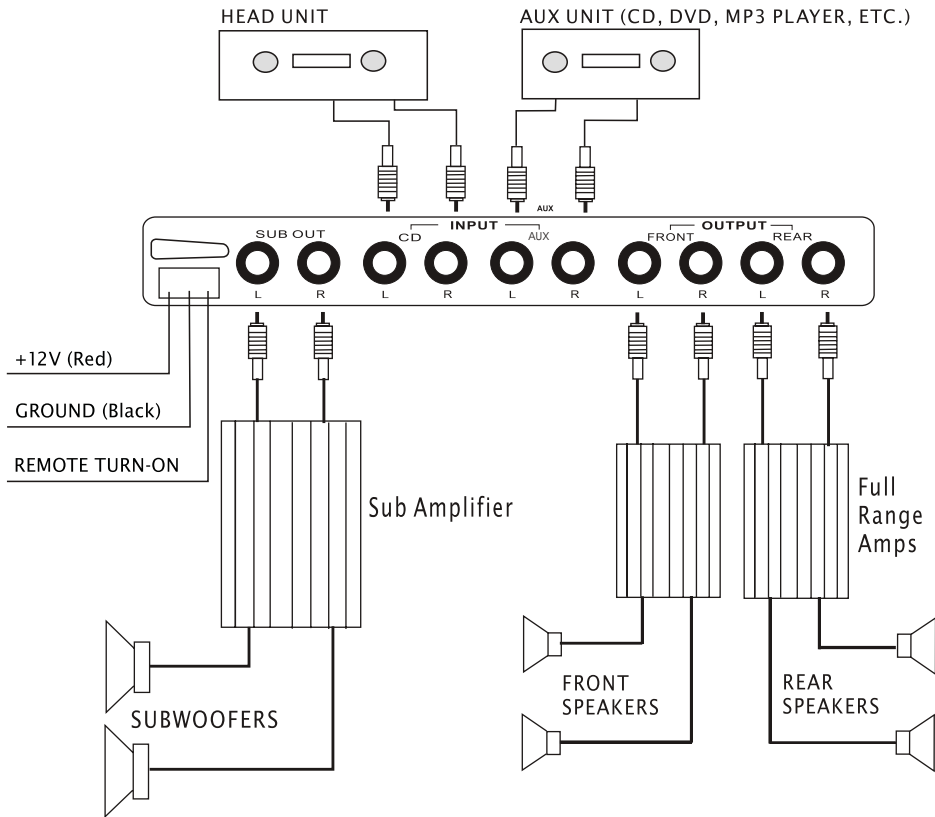


Introduction

Congratulations on your purchase of a BOSS Audio Systems Equalizer. This product has been designed and built to deliver excellent sound quality and long lasting high performance. We are sure you'll enjoy listening to your favorite music with this BOSS component in your car audio system. For best results please consult a professional car stereo installer for application advice or trouble shooting. To guarantee top performance we recommend using the BOSS Link installation accessories such as RCA interconnects, power cables, and speaker wire. Thank you for choosing BOSS Audio Systems products for your mobile audio system.



Electrical Installation



NOTES:

Set your source volume at a position between 6 o'clock and 9 o'clock and leave it at this setting.

Always use the AVA-1210 volume control as a master main volume control. It has better electronics, higher S/N ratio and is more linear than any source unit volume control available.

If engine noise is audible, check the ground connection on all units in the audio system.

Specifications

Frequency Bands	Front Channel: 125Hz, 500Hz, 3.5kHz, 12kHz Rear Channel: 50 Hz, 600Hz, 6.3kHz
Boost / Cut	+/-18dB
Signal-To-Noise Ratio	110dB Ref 1V Input
Frequency Response	10Hz-15KHz, +/-1dB
Maximum Output Voltage	8V Rms
Total Harmonic Distortion	0.05%
Input Sensitivity	150mV
Headroom	20dB
Input Impedance	10K Ohms
Stereo Separation	82dB /1KHz
Operating Voltage	11-15V Negative Ground
Output Impedance	50K Ohms
Size (HxWxD)	1 " x 7 " x 4-9/16 "
	27.5mm X 178mm X 115mm

* Due to our continuing efforts towards products improvement, the above specifications are subject to change without notice.

Features

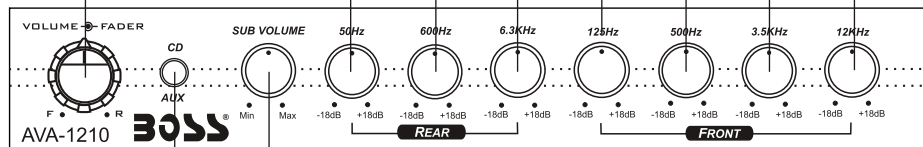
- Volume control with up to 8 volts RMS of output
- Seven band equalizer with 18dB Boost/Cut
- Specific bandwidth for each band
- Low noise BI-FET op-amp design yields minimum distortion
- On-board 30V bi-polar switching power supply
- Subwoofer outputs and level controls
- Subwoofer frequency selection switch (32Hz/ 64Hz/ 128Hz)
- Input selector for AUX or CD
- Universal half-DIN chassis for ease of installation
- Gold-plated RCA input output connectors
- 20dB headroom eliminates signal overload
- Blue light illumination

Front Panel Controls

VOLUME CONTROL
This control adjusts the output level.

FADER CONTROL
This control adjusts the volume between the front and rear speakers in a 4 speaker system.

EQUALIZER CONTROLS
Controls the frequency response of the boost or cut, in the seven frequency bands:
Front Channel: 125Hz, 500Hz, 3.5kHz, 12kHz
Rear Channel: 50 Hz, 600Hz, 6.3kHz



INPUT SELECTOR SWITCH
This switch selects the AUX or CD input.

SUBWOOFER OUTPUT VOLUME
This control adjusts output level of subwoofer RCA jack.

Top Cover Controls

