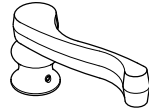
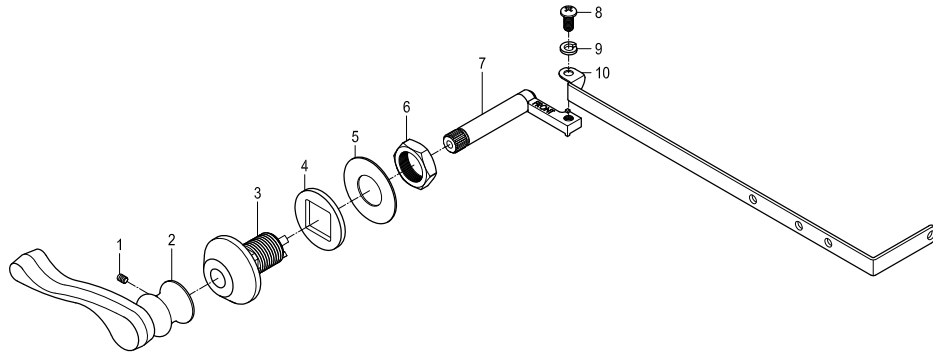


Parts:

Replacement Parts:

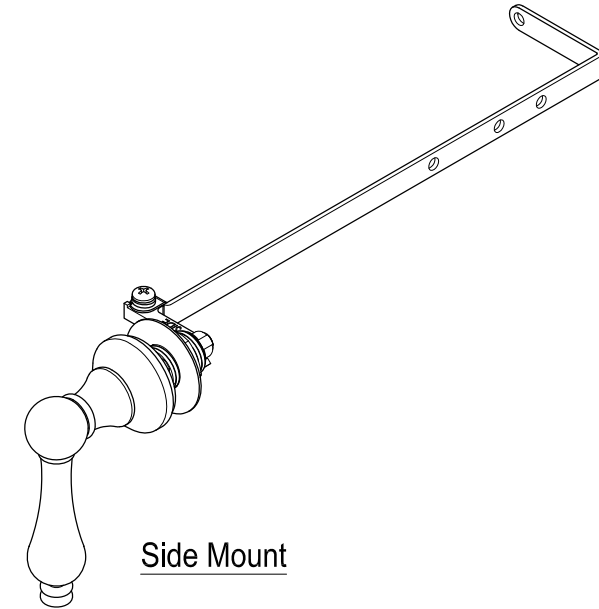


Handle: KTHFL1

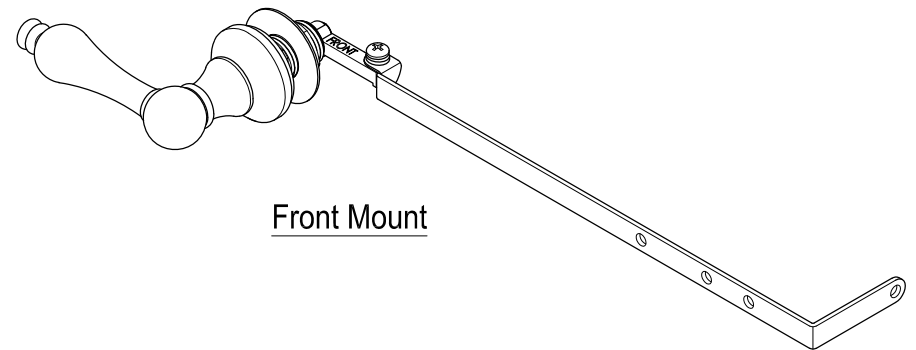


# KINGSTON

KITCHEN & BATH



Side Mount



Front Mount

\* Never use cleaners containing abrasive cleansers, ammonia, bleach, acids, waxes, alcohol, solvents or other products not recommended for chrome. This will void the warranty.

www.kingstonbrass.com  
TOLL-FREE CUSTOMER SERVICE: 1-877-2-KBRASS  
TECHNICAL SUPPORT E-mail: [service@kingstonbrass.com](mailto:service@kingstonbrass.com)  
12775 Reservoir Street, Chino, CA 91710

# KINGSTON

KITCHEN & BATH

## INSTALLATION INSTRUCTIONS

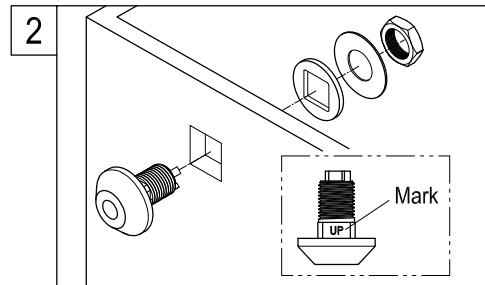
### Front & Side Mount Tank Lever

This toilet tank lever is designed to replace front mounted and side mounted toilet tank levers.

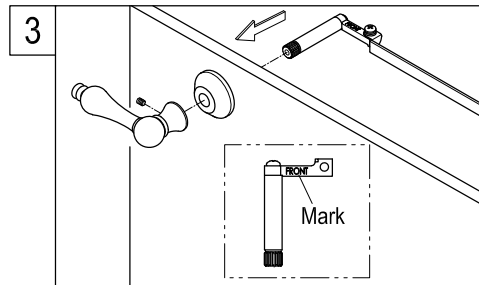
#### Front Mount Installation :



1. Remove the handle by unthreading the set screw holding the handle, and disassemble the tank lever assembly, remove the brass locknut, metal washer and rubber washer.

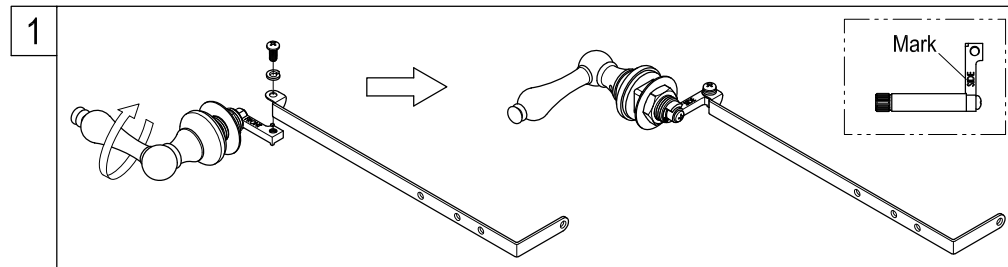


2. Insert the tank lever flange from outside the tank, make sure the word "UP" is visible from the top, insert rubber and metal washer and secure by threading locknut, be careful not to overtighten as this may damage the tank.



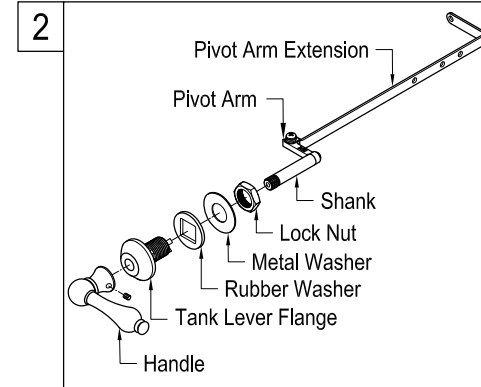
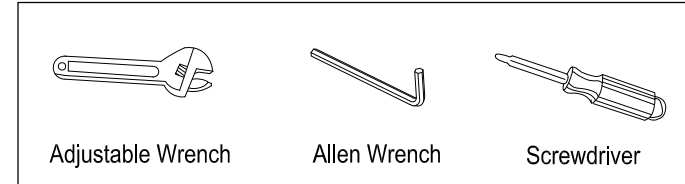
3. Insert tank lever shank into the tank lever flange assembly, insert lever on the protruding shank and secure by tightening set screw, make sure the word "FRONT" on the pivot arm is visible from the top, if it's not visible remove the pivot arm by unthreading the Phillip's head screw and reinserting in the proper position, the pivot arm extension can be bent to fit your specific tank.

#### Side Mount Installation :

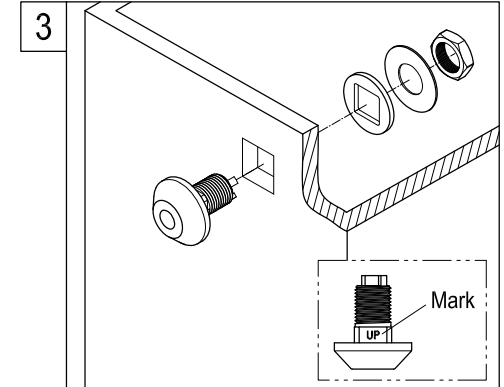


1. Remove pivot arm extension from the pivot arm by unscrewing the Phillip's head screw, flip pivot arm so that the word "Side" is visible from the top, reinstall pivot arm extension, making sure that the notch on the pivot arm extension fits on the pin on top of the pivot arm.

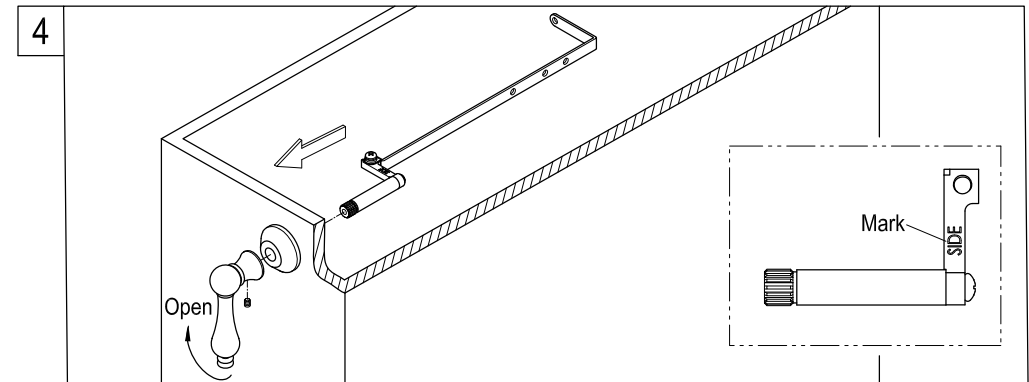
#### Need Tools:



2. Remove the handle by unthreading the set screw holding the handle, and disassemble the tank lever assembly, remove the brass locknut, metal washer and rubber washer.



3. Insert the tank lever flange from outside the tank, make sure the word "UP" is visible from the top, insert rubber and metal washer and secure by threading locknut, be careful not to overtighten as this may damage the tank.



4. Insert tank lever shank into the tank lever flange assembly, insert lever on the protruding shank and secure by tightening set screw, make sure the word "SIDE" on the pivot arm is visible from the top, the pivot arm extension can be bent to fit your specific tank.