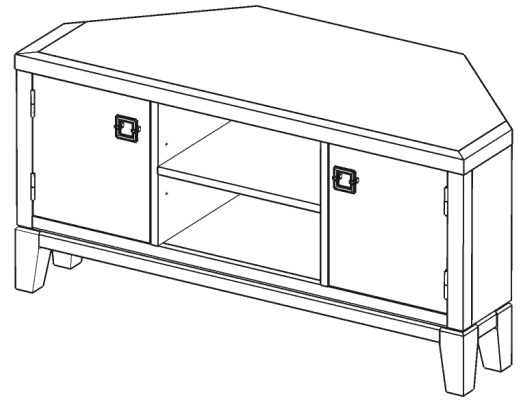


Corner Entertainment



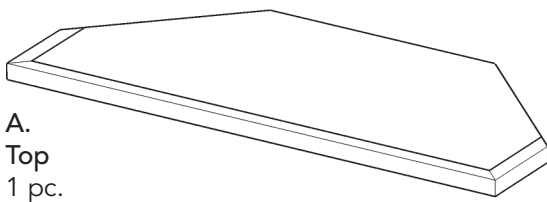
**IMPORTANT**

Carefully remove all the parts from the carton and place them individually on a soft cloth to prevent scratches or other damage.

Carefully and strictly follow these assembly instructions to ensure a completed product as designed.

Do not use power tools above 8 volts to assemble.

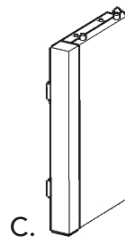
**Part List**



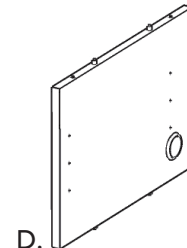
A.  
Top  
1 pc.



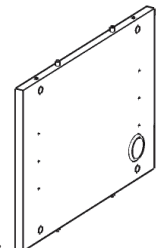
B.  
Side Panel  
1 pc.



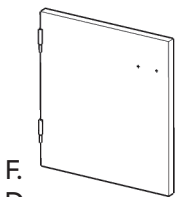
C.  
Side Panel  
1 pc.



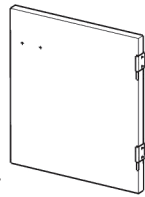
D.  
Middle Panel  
1 pc.



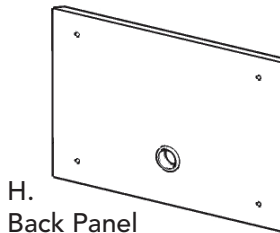
E.  
Middle Panel  
1 pc.



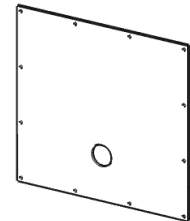
F.  
Door  
1 pc.



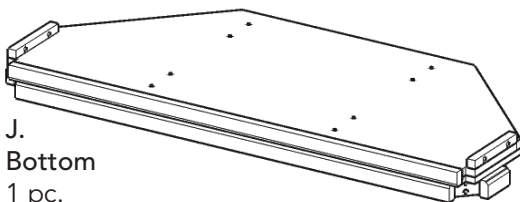
G.  
Door  
1 pc.



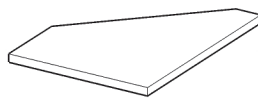
H.  
Back Panel  
1 pc.



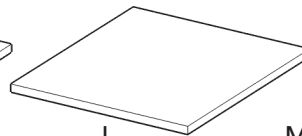
I.  
Back Panel  
2 pcs.



J.  
Bottom  
1 pc.



K.  
Shelf  
2 pcs.



L.  
Shelf  
1 pc.

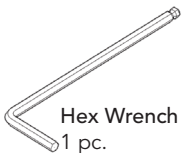


M.  
Foot  
4 pcs.



N.  
Support  
2 pcs.

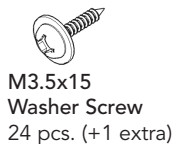
**Hardware List**



Hex Wrench  
1 pc.



Cam Lock Screw  
8 pcs. (+1 extra)



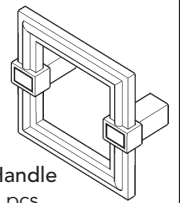
M3.5x15  
Washer Screw  
24 pcs. (+1 extra)



M6x40  
Head Cap Bolt (long)  
8 pcs. (+1 extra)



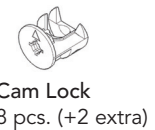
M6x30  
Head Cap Bolt  
12 pcs. (+1 extra)



Handle  
2 pcs.



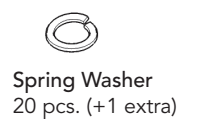
Small Hex Wrench  
1 pc.



Cam Lock  
8 pcs. (+2 extra)



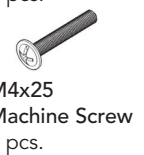
Flat Washer  
20 pcs. (+1 extra)



Spring Washer  
20 pcs. (+1 extra)



Adjustable Pin  
12 pcs. (+1 extra)



M4x25  
Machine Screw  
4 pcs.

Tool(s) required for assembly: Phillips screwdriver, Level, Drill (8 volts or less), 3/8" Drill Bit

# Assembly Instructions 2/6

## IMPORTANT

- Use a soft cloth between these parts and the floor.
- Do not use power tools above 8 volts to assemble.
- Do not tighten all the bolts until each part is properly assembled.
- The unit must be level to work properly. Use the included adjustable levelers to level.
- Keep Hex Wrench as the bolts may need to be tightened in the future.

## STEP 1

Place Top (A) and Bottom (J) on a soft cloth.

Insert Cam Lock Screws into pre-drilled holes in Top (A) and Bottom (J), then tighten. (See Figure 1)

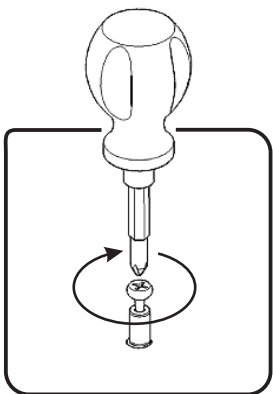
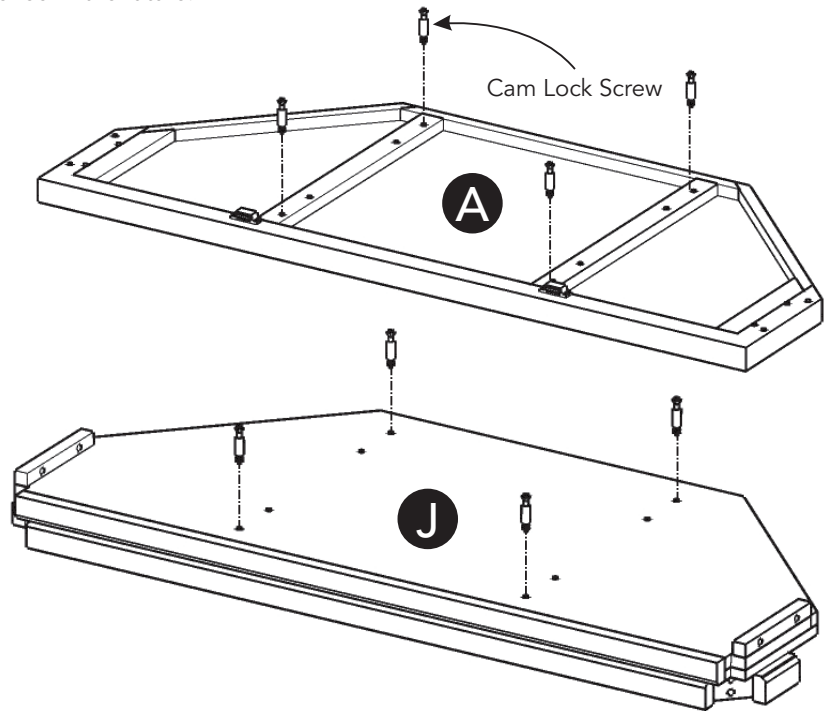


Figure 1

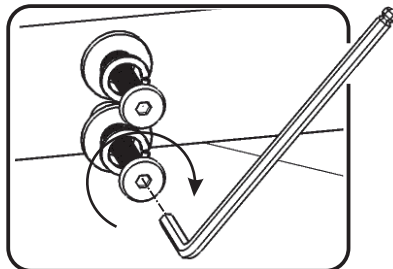


Figure 2

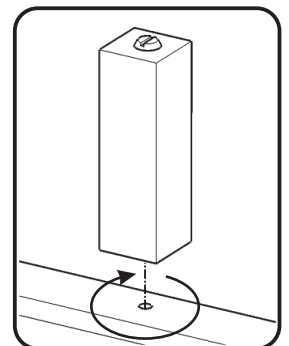
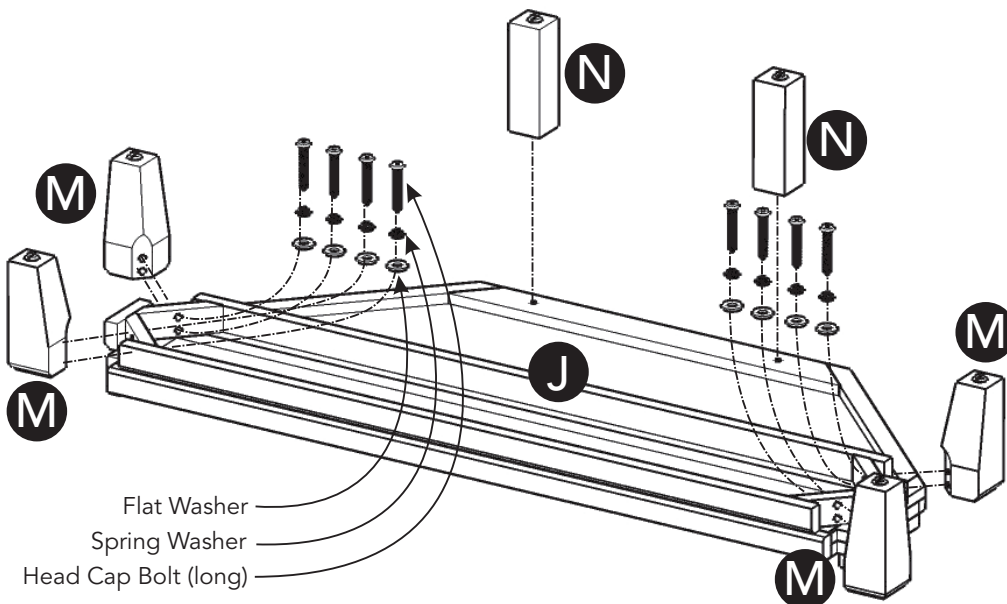


Figure 3



## STEP 2

Attach Feet (M) to Bottom (J) with Flat Washers, Spring Washers and Head Cap Bolts (long). (See Figure 2)

Attach Support (N) to unit. (See Figure 3)

# Assembly Instructions 3/6

## STEP 3

Turn unit over to its' upright position.

Attach Middle Panels (D) and (E) to unit with Cam Locks.  
(See Figure 4)

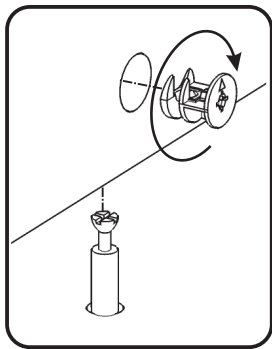
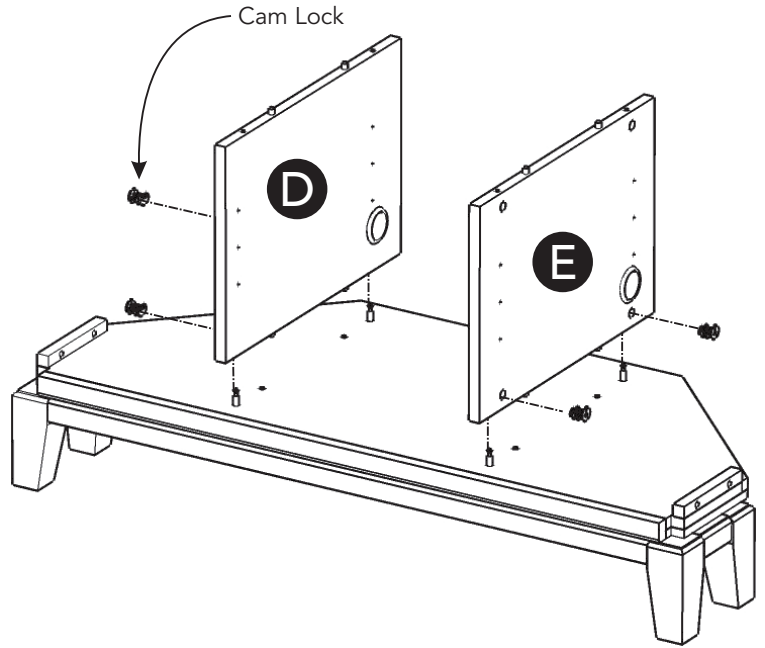


Figure 4

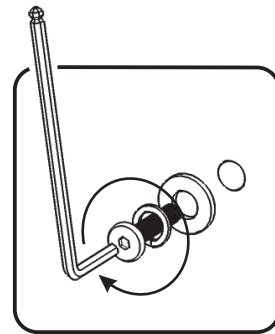
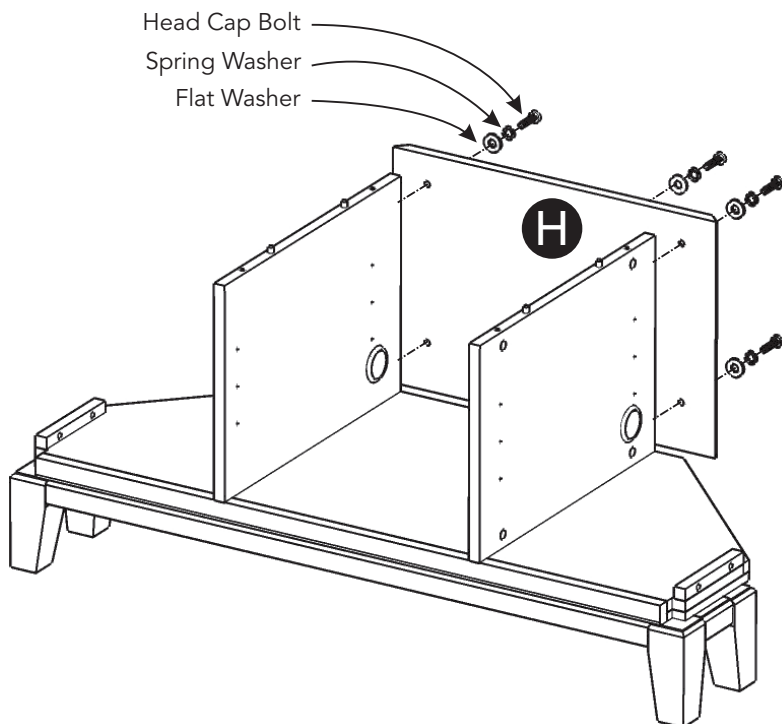


Figure 5

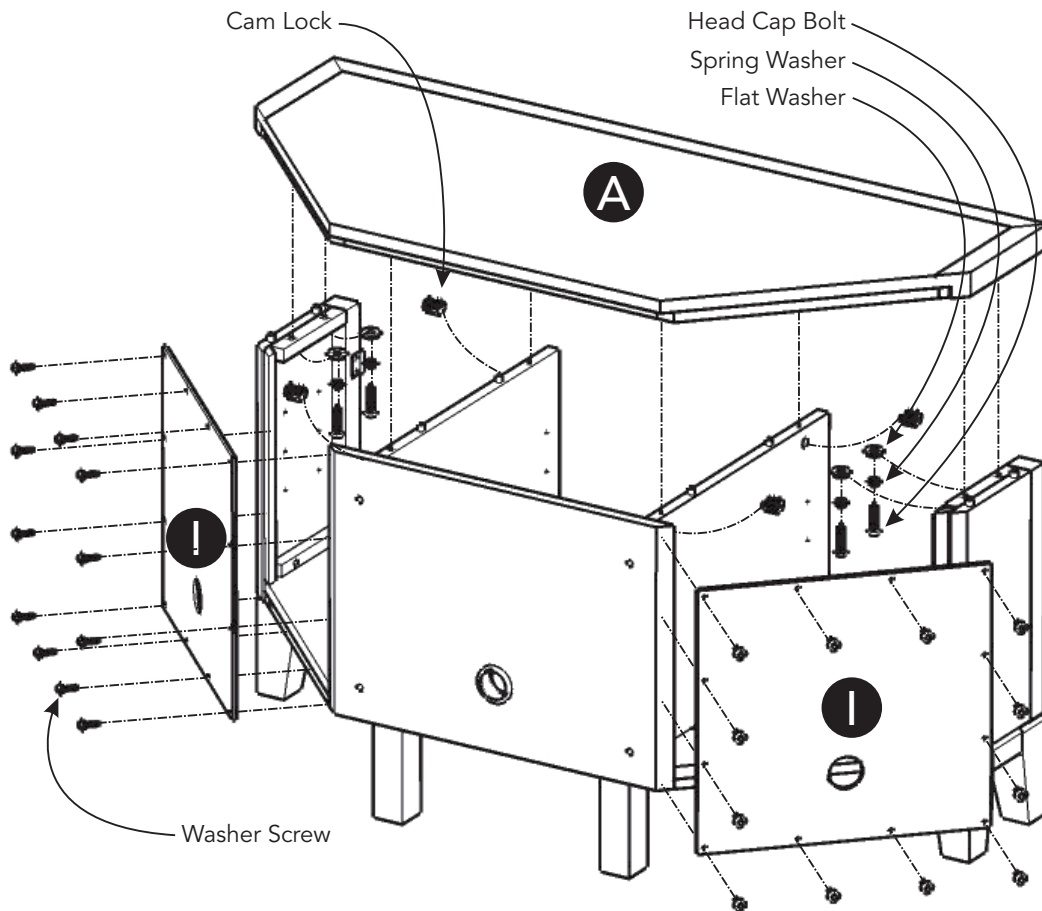
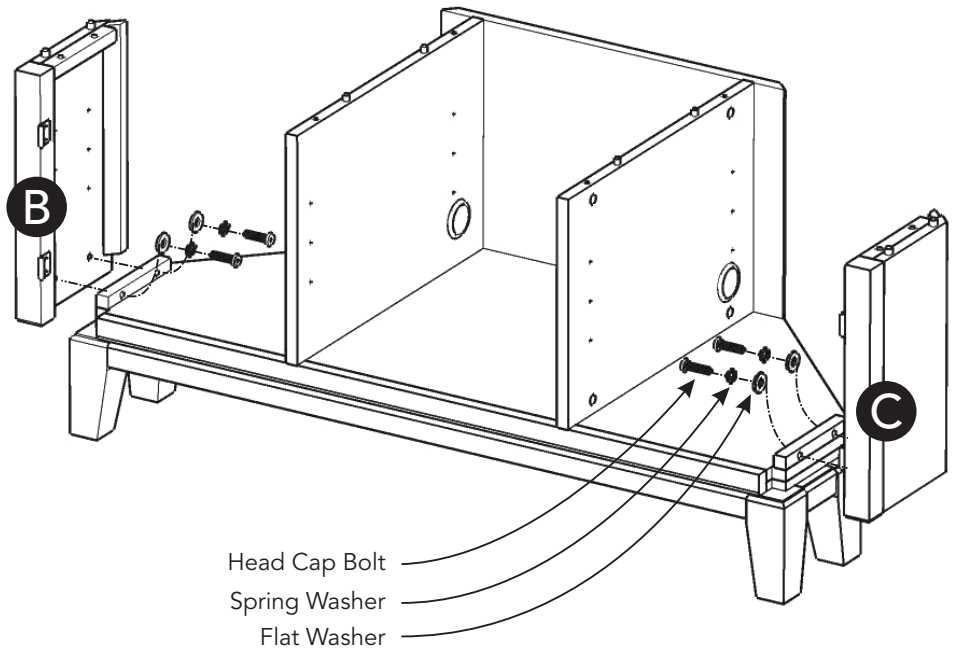


## STEP 4

Attach Back Panel (H) to unit with Flat Washers, Spring Washers and Head Cap Bolts.  
(See Figure 5)

### STEP 5

Attach Side Panels (B) and (C) to unit with Flat Washers, Spring Washers and Head Cap Bolts.



### STEP 6

Attach Top (A) to unit with Flat Washers, Spring Washers, Head Cap Bolts and Cam Locks.

Attach Back Panels (I) to unit with Washer Screws, then tighten.

## Assembly Instructions 5/6

### STEP 7

Attach Doors (F) and (G) to unit by sliding door hinges into side panel hinges. (See Figure 6)

Attach Handles to Doors (F) and (G) with Machine Screws. (See Figure 7)

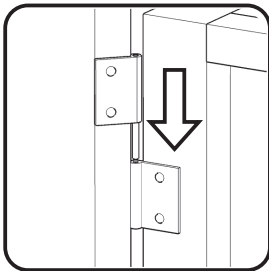
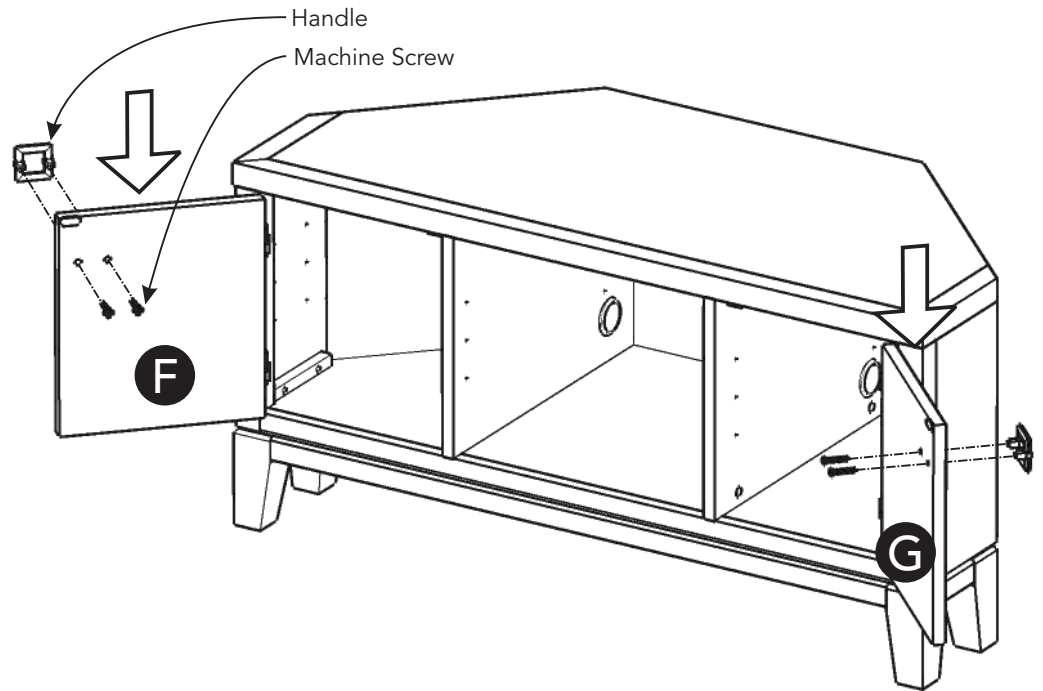


Figure 6

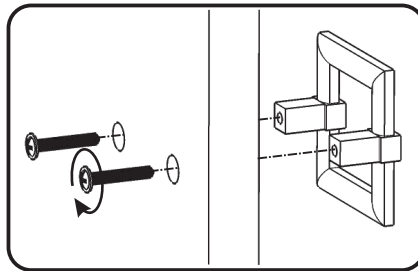


Figure 7

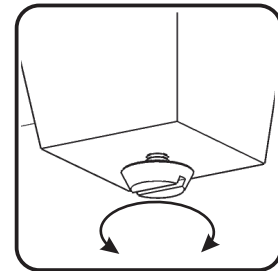


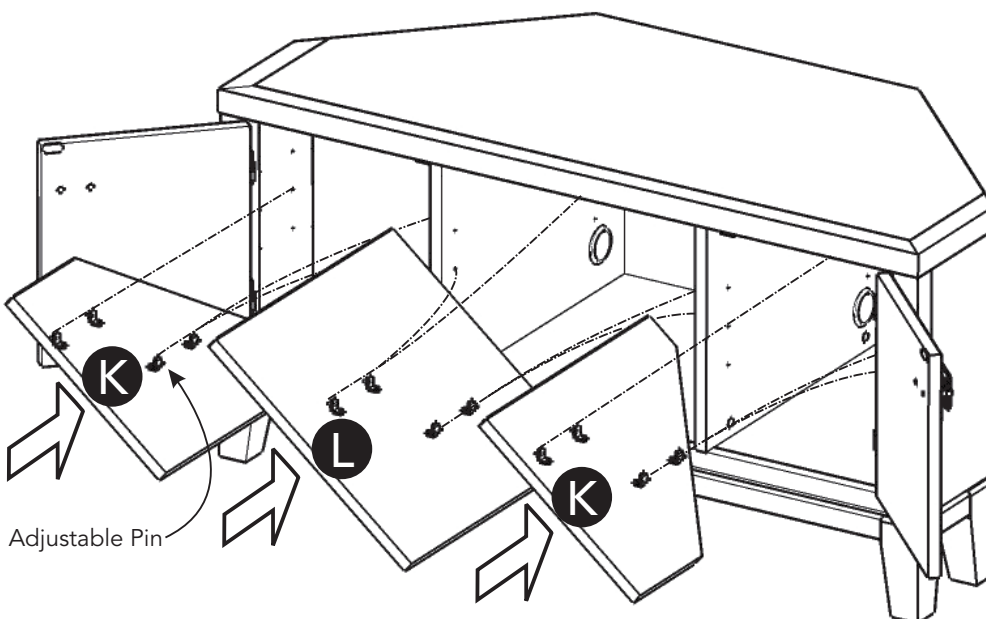
Figure 8

### STEP 8

Insert Adjustable Pins into side panels, middle panels and back panels at desired level.

Place Shelves (K) and (L) into position.

Level unit by adjusting the adjustable levelers on bottom of unit. (See Figure 8)



Note: Unit must be level to work properly.

# Assembly Instructions 6/6

## IMPORTANT

To help reduce the risk of the unit tipping over, the Tip-over Restraints must be installed following these instructions exactly.

## STEP 9

Place unit at desired location.

Drill 3/8" holes in wall in-line with pre-drilled holes at top of unit.

Move unit.

Insert Anchors into the wall holes and attach Brackets with Wall Screws.

Attach Brackets at pre-drilled holes at top of unit with Wood Screws.

Move unit back into place.

Slide Tip-over Restraints through Brackets on wall and Brackets on unit.  
(See Figure 9)

Put tie end of Tip-over Restraints into lock end of Tip-over Restraints and pull until tight.

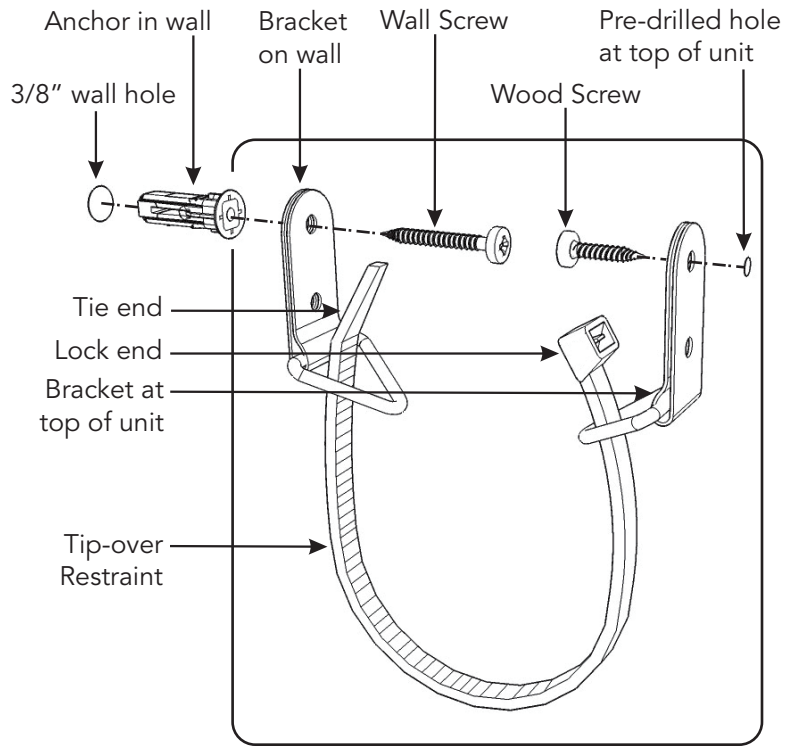
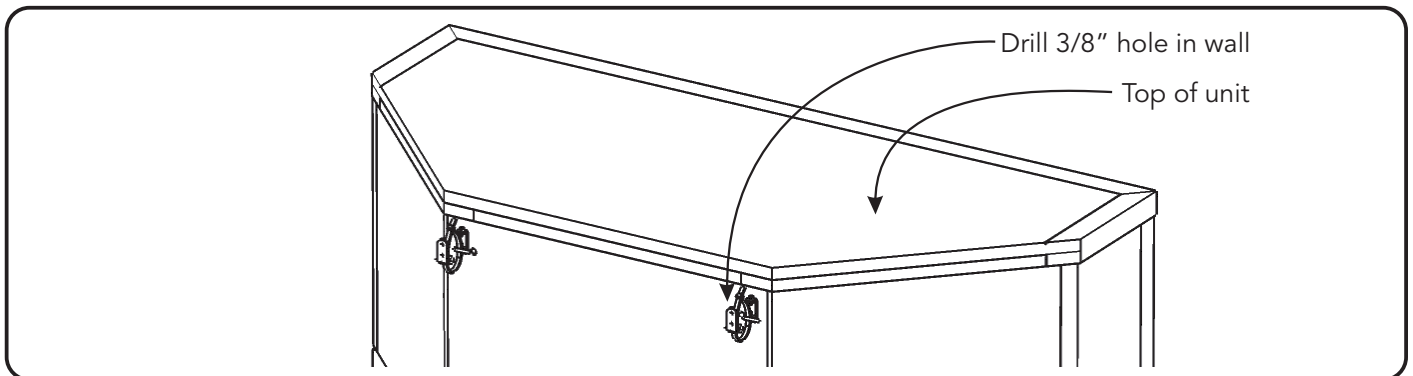
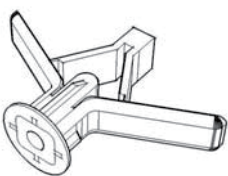


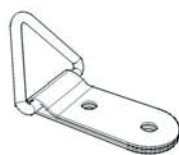
Figure 9



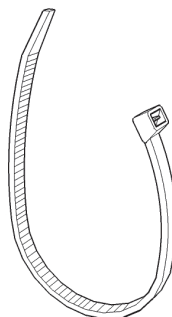
## Hardware List



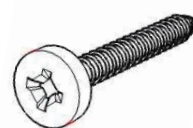
Anchor  
2 pcs. (+1 extra)



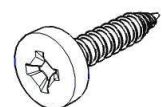
Bracket  
4 pcs. (+1 extra)



Tip-over Restraint  
2 pcs. (+1 extra)



M3.5x40  
Wall Screw  
2 pcs. (+1 extra)



M3.5x16  
Wood Screw  
2 pcs. (+1 extra)

# CARE INSTRUCTIONS

## NEVER

allow liquids to remain on furniture.  
Absorption causes parts to warp  
and split and finishes to delaminate.

## NEVER

use glass cleaners on  
finished furniture. Ammonia  
chemically attacks the finish.



Do not use power tools  
above 8 volts to assemble.

**PREVENT  
CRACKING**



Do not place  
in direct sunlight.

**PREVENT  
FADING**



Do not write  
directly on surface.

**PREVENT  
MARKING**



Do not place hot  
objects on surface.

**PREVENT  
FINISH DAMAGE**



Do not use rubber  
based placemats.

**PREVENT  
DISCOLORING**



Do not use commercial  
waxes and polishes.

**PREVENT  
YELLOWING**

## CLEAN

with a soft cloth moistened  
in lukewarm soap and water.  
Buff with a dry clean cloth.



Home Styles will provide replacements free of charge for missing or damaged hardware or parts within 30 days of purchase. Digital images of the defective parts may be required. If the product was not purchased from an authorized retail affiliate, Home Styles is under no obligation to provide replacement parts. Parts are not available for fully assembled items nor are parts available for sale. Replacements for missing or damaged hardware or parts may be requested at:

[www.homestyles-furniture.com/customer-service/replacement-parts](http://www.homestyles-furniture.com/customer-service/replacement-parts)

Home Styles Customer Service: [www.homestyles-furniture.com](http://www.homestyles-furniture.com),  
[servicedesk@homestyles-furniture.com](mailto:servicedesk@homestyles-furniture.com), 888-680-7460, 877-831-0319