

ASSEMBLY INSTRUCTION








ITEM: 6750-75217-06 Rectangle Dining Table w/1-20in leaf

Thank you for purchasing this quality product. Be sure to unpack carefully looking for small parts which may have come loose during shipment.

Read all instruction and study the drawing carefully before starting the assembly process.

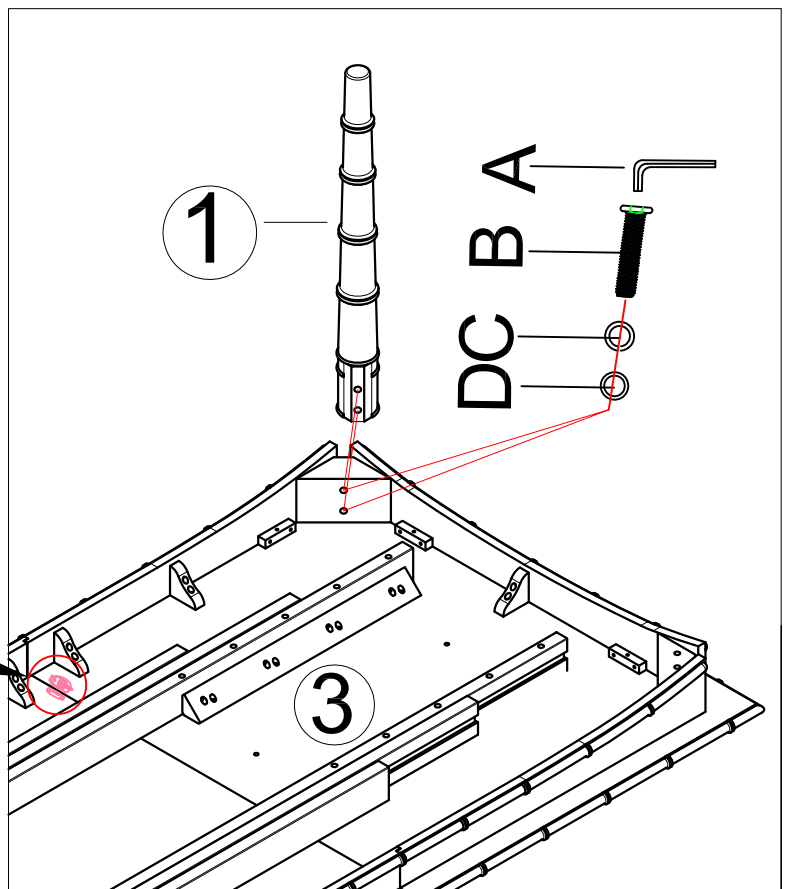
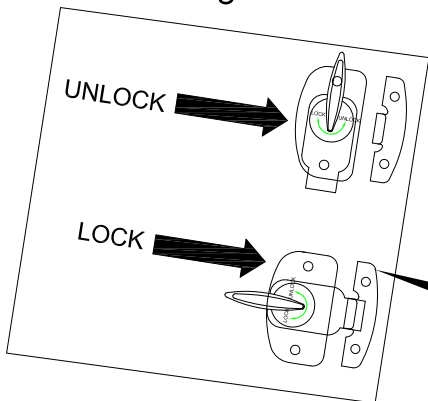
HARDWARE PACK

PART LIST

NO.	DRAWING	DESCRIPTION	SIZE	Q'TY	NO.	DRAWING	DESCRIPTION	Q'TY
A		Allen Wrench	5mm	1PC	①		Leg	4PCS
B		Bolt	$\frac{5}{16}$ "	8PCS	②		Leaf	1PC
C		Lock Washer	$\frac{5}{16}$ "	8PCS	③		Top	1PC
D		Flat Washer	$\frac{5}{16}$ "	8PCS				

STEP 1

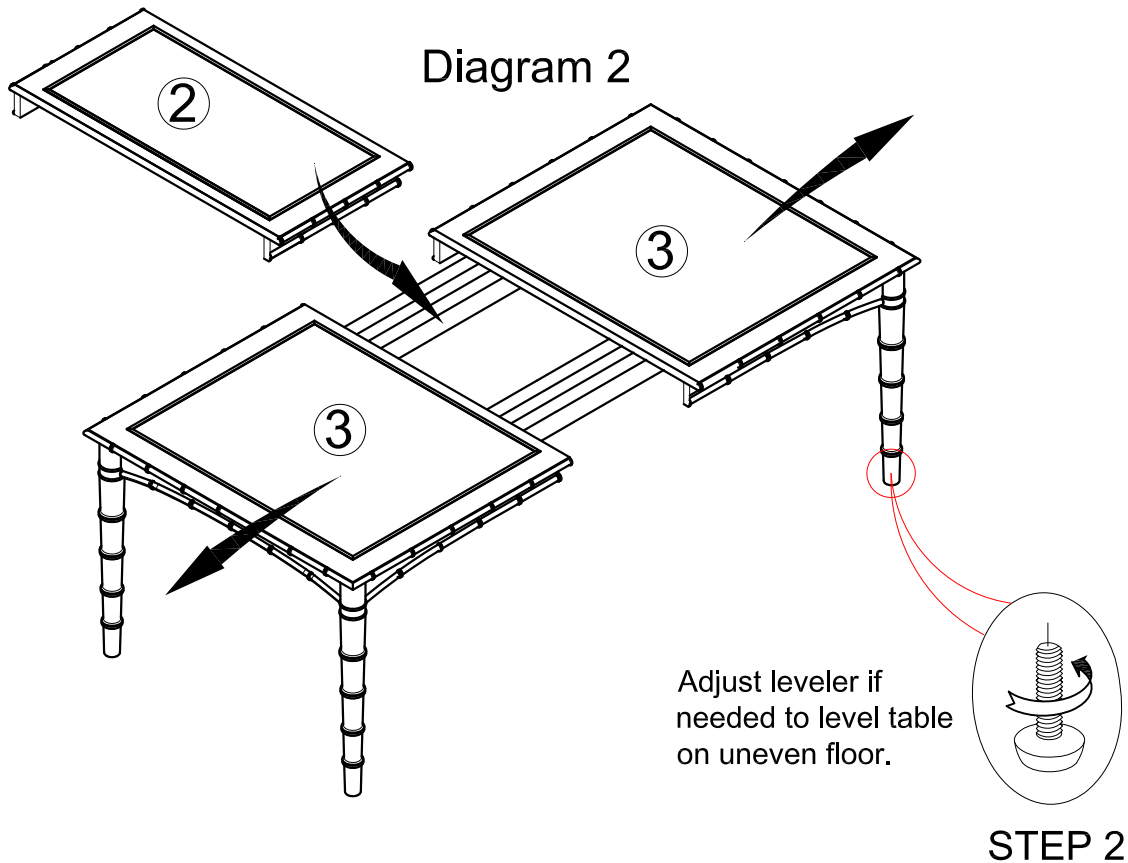
Diagram 1



ITEM: 6750-75217-06 Rectangle Dining Table w/1-20in leaf

Thank you for purchasing this quality product. Be sure to unpack carefully looking for small parts which may have come loose during shipment.

Read all instruction and study the drawing carefully before starting the assembly process.

**Instruction for table leaf:**

1. There are latches at the bottom of table top, unlock the latches as shown in Diagram 1 above.
2. Pull out table top as the arrow direction shown in Diagram 2.
3. Place table leaf (2) between table top and push table top together.
4. Lock the latches. (See Diagram 1)
5. Take opposite actions to remove table leaf.