

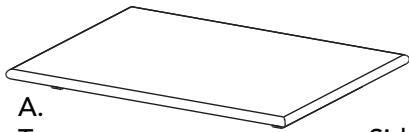
**IMPORTANT**

Carefully remove all the parts from the carton and place them individually on a soft cloth to prevent scratches or other damage.

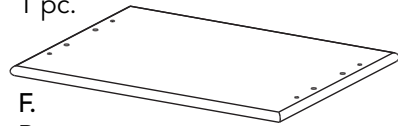
Carefully and strictly follow these assembly instructions to ensure a completed product as designed.

Do not use power tools above 8 volts to assemble.

**Part List**



**A.**  
Top  
1 pc.



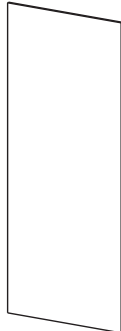
**F.**  
Base  
1 pc.



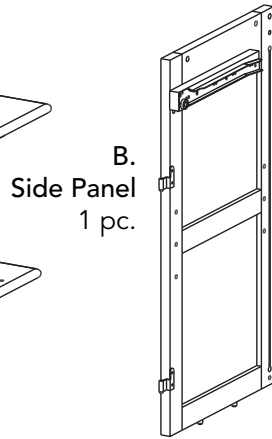
**G.**  
Back Rail  
1 pc.



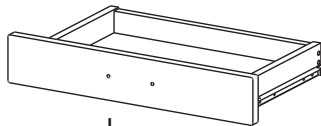
**H.**  
Back Upright  
1 pc.



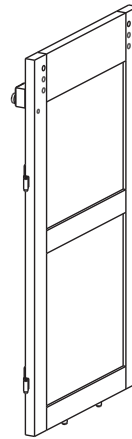
**I.**  
Back Panel  
2 pcs.



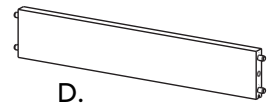
**B.**  
Side Panel  
1 pc.



**L.**  
Drawer  
1 pc.



**C.**  
Side Panel  
1 pc.



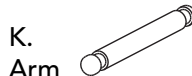
**D.**  
Back Rail  
1 pc.



**E.**  
Front Rail  
1 pc.

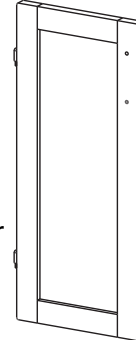
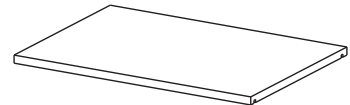


**J.**  
Arm Handle  
2 pcs.

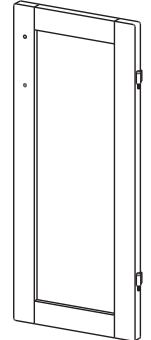


**K.**  
Arm  
1 pc.

**M.**  
Shelf  
1 pc.



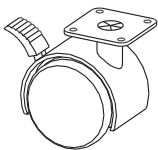
**N.**  
Door  
1 pc.



**O.**  
Door  
1 pc.

Refer to later page(s) of these instructions for drawer assembly.

**Hardware List**



**Caster**  
2 Locking  
2 Non-Locking  
4 pcs.



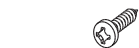
**Hex Wrench**  
1 pc.



**Small Hex Wrench**  
1 pc.



**M6x35 Head Cap Bolt**  
16 pcs. (+1 extra)



**M4x16 Wood Screw**  
16 pcs. (+1 extra)



**M4x20 Machine Screw**  
6 pcs.



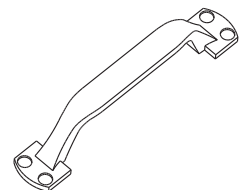
**M3.5x25 Wood Screw (long)**  
8 pcs. (+1 extra)



**Adjustable Pin**  
4 pcs. (+1 extra)



**Wood Plug**  
6 pcs. (+1 extra)



**Handle**  
3 pcs.

Tool(s) required for assembly: Phillips screwdriver

# Assembly Instructions 2/6

## IMPORTANT

- Use a soft cloth between these parts and the floor.
- Do not use power tools above 8 volts to assemble.
- Do not tighten all the bolts until each part is properly assembled.
- Keep Hex Wrench as the bolts may need to be tightened in the future.

## STEP 1

Attach Back Rail (D) to Side Panel (C) with Head Cap Bolt. (See Figure 1)

Slide Back Panel (I) into position.

Attach Back Upright (H) to unit.

Slide Back Panel (I) into position.

Attach Back Rail (G) to unit with Head Cap Bolt.

Attach Front Rail (E) to unit with Head Cap Bolt.

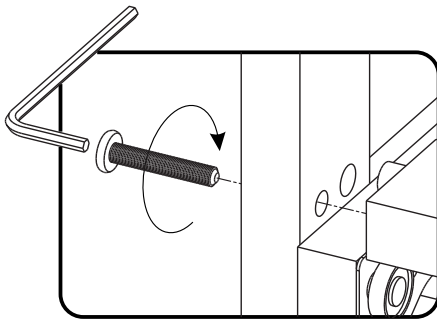
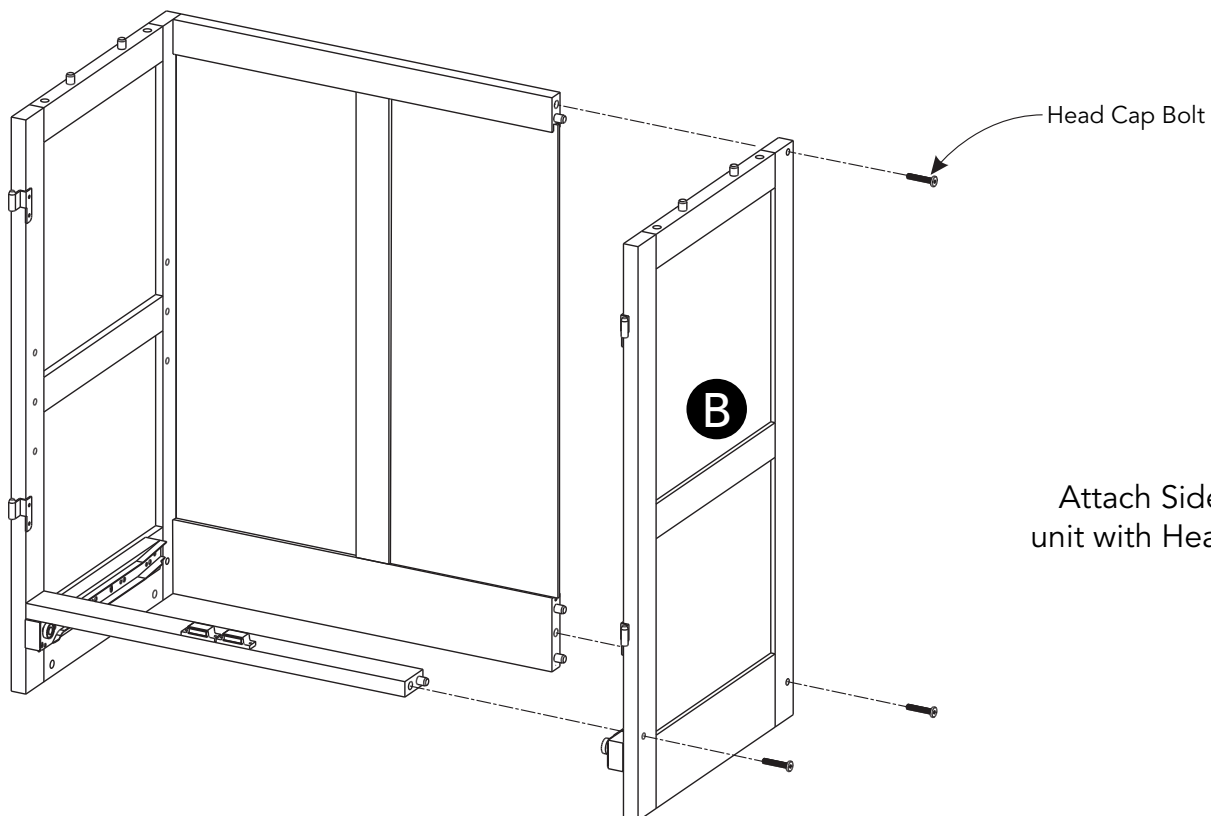
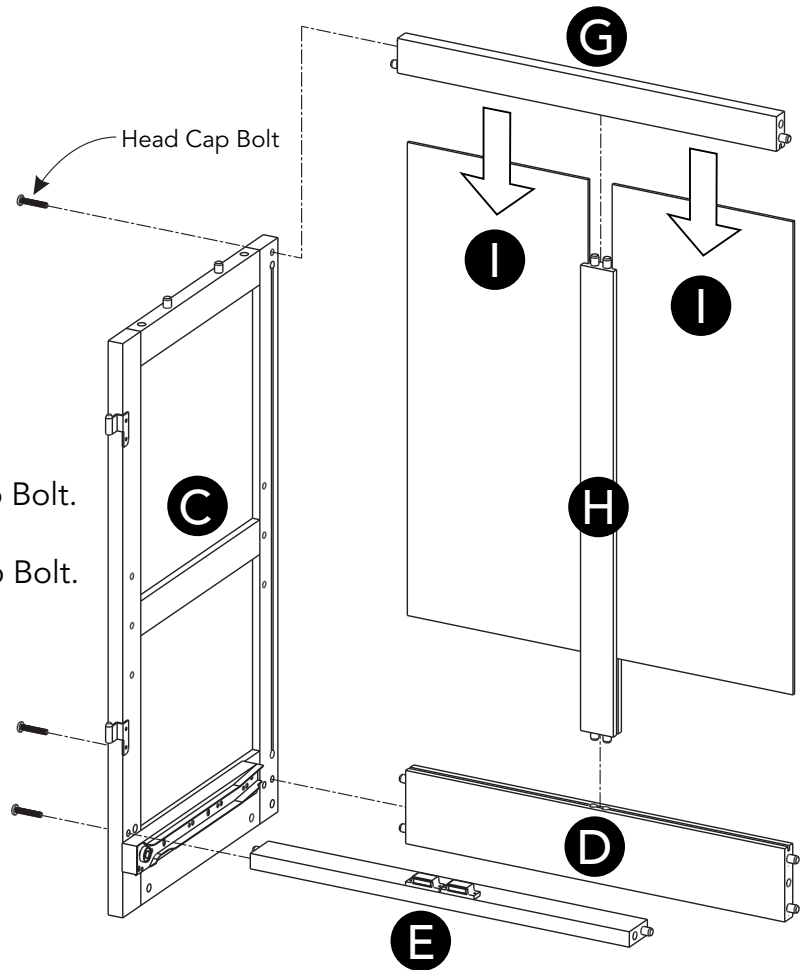


Figure 1



## STEP 2

Attach Side Panel (B) to unit with Head Cap Bolts.

# Assembly Instructions 3/6

## STEP 3

Attach Base (F) to unit with Head Cap Bolts.

Note: Arrow label indicates front of Base (F).

Attach Casters to unit with Wood Screws into pre-drilled holes, with Locking Casters at front. (See Figure 2)

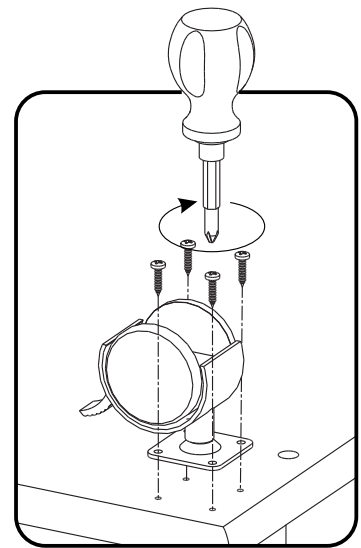
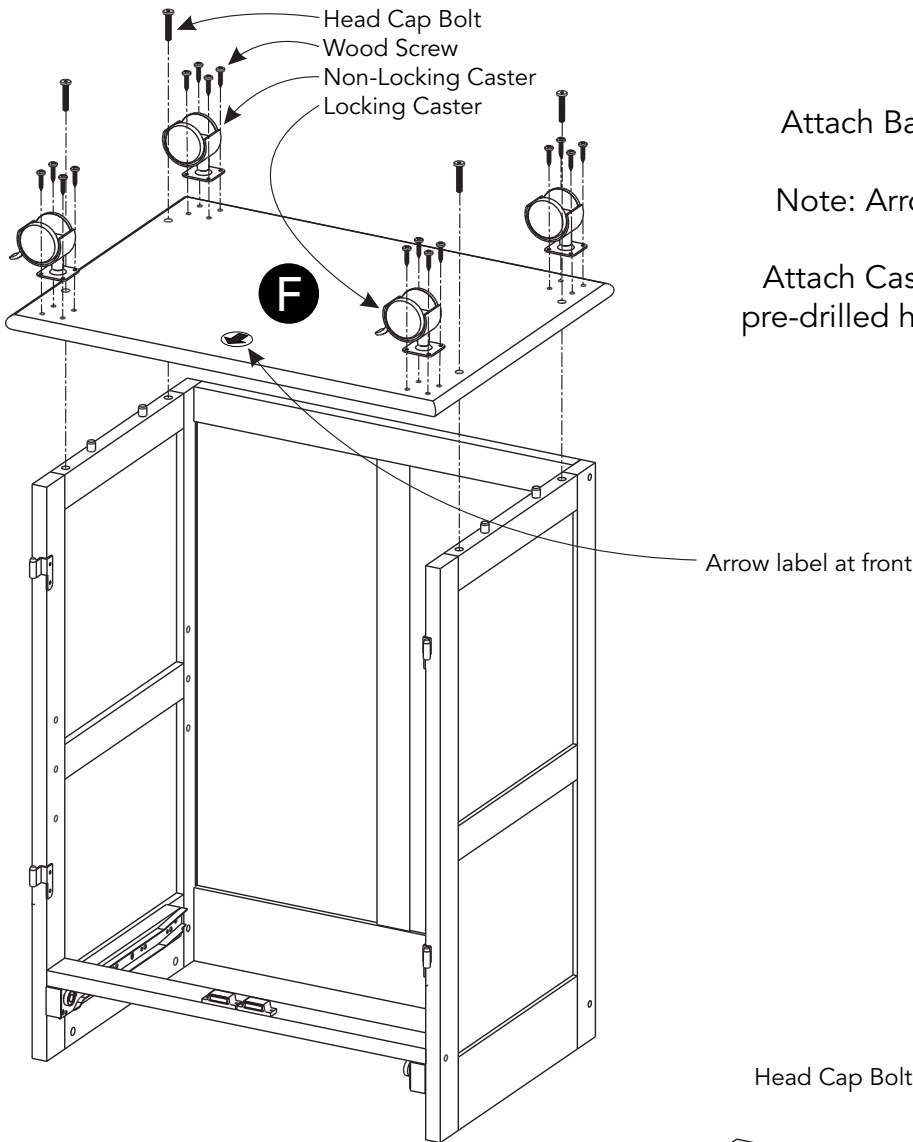


Figure 2

## STEP 4

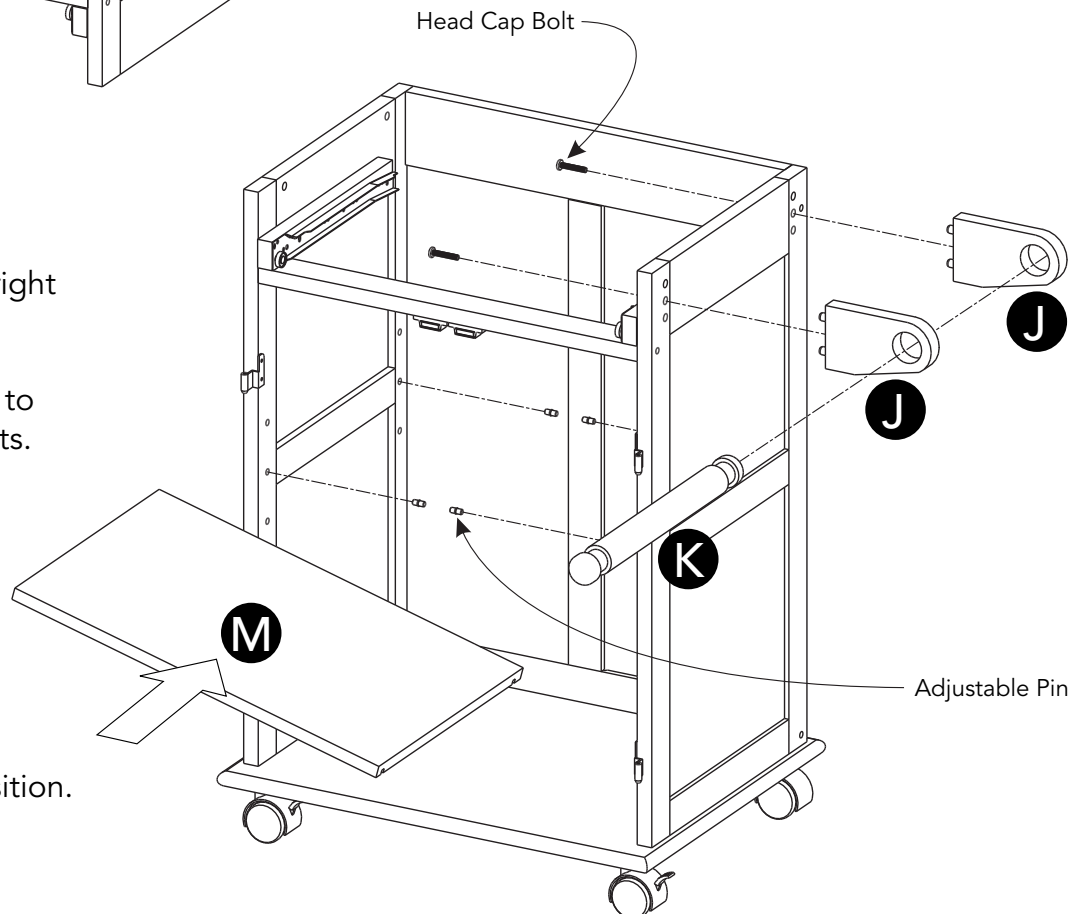
Turn unit over to its upright position.

Attach Arm Handles (J) to unit with Head Cap Bolts.

Slide Arm (K) into position.

Insert Adjustable Pins into side panels at desired level.

Place Shelf (M) into position.



**STEP 5**

Attach Doors (N) and (O) to unit by sliding door hinges into side panel hinges.  
(See Figure 3)

Attach Handles to Doors (N) and (O) with Machine Screws.  
(See Figure 4)

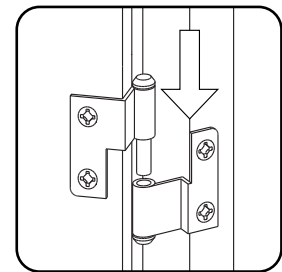
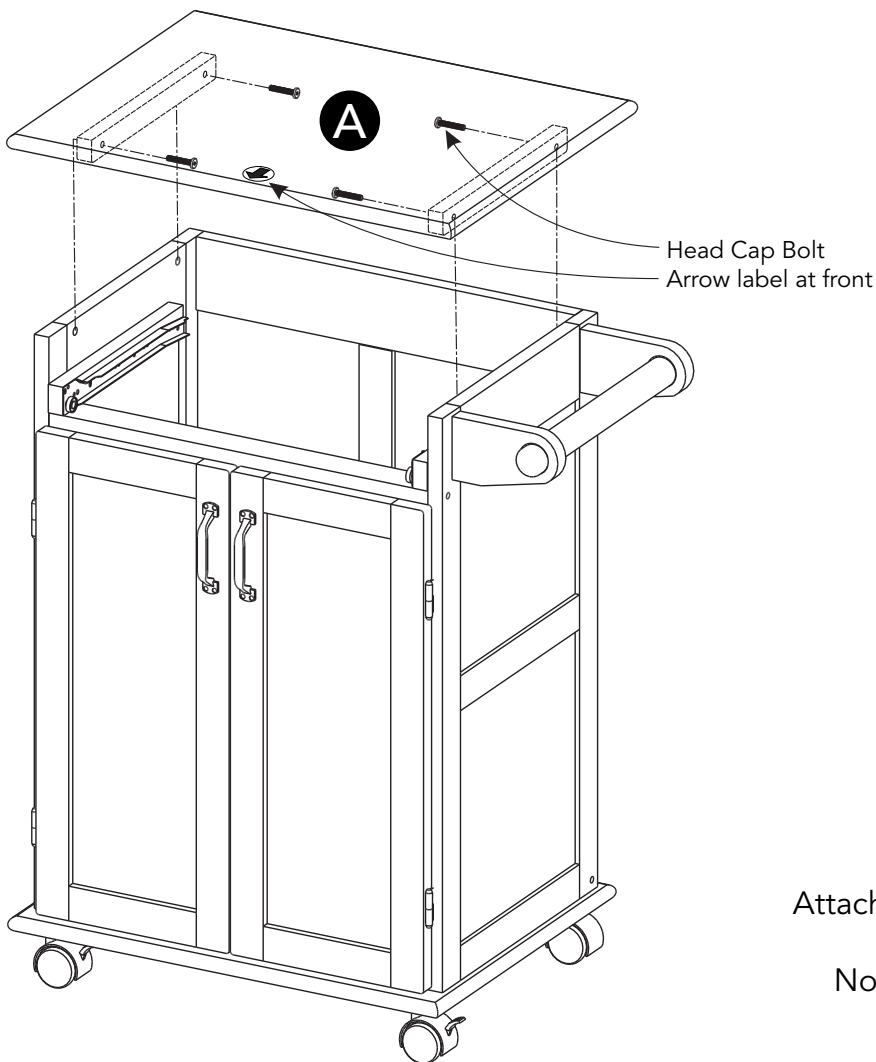
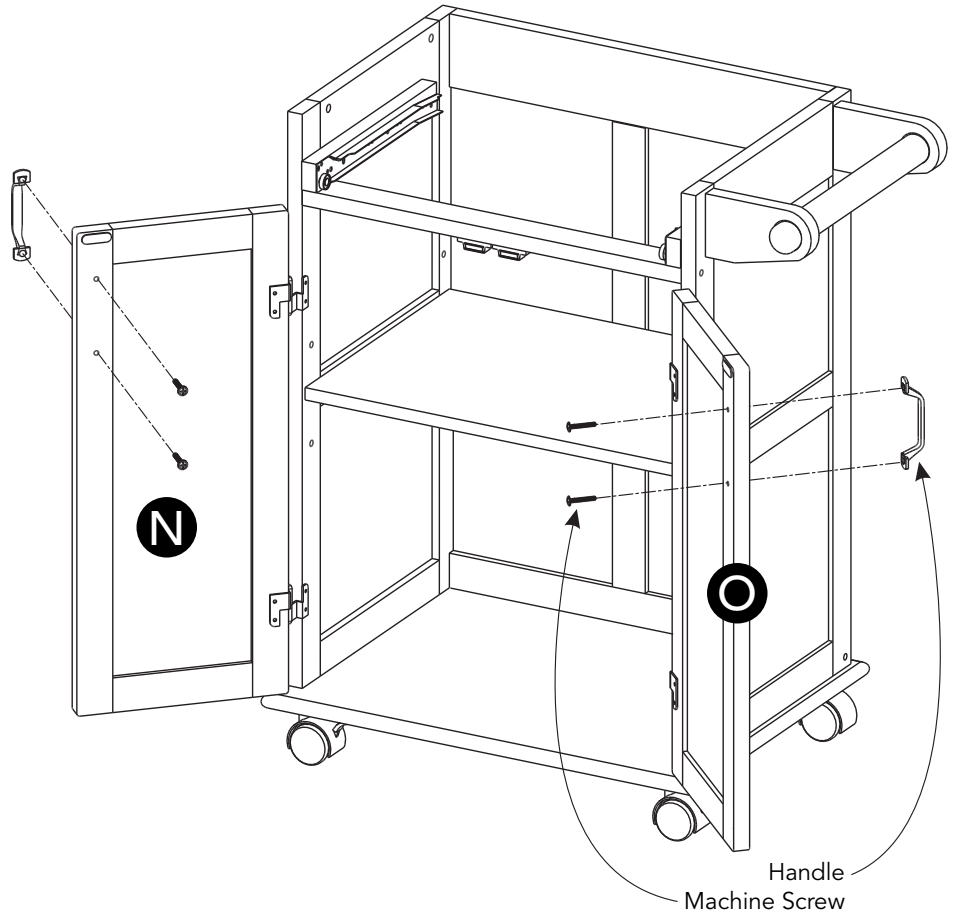


Figure 3

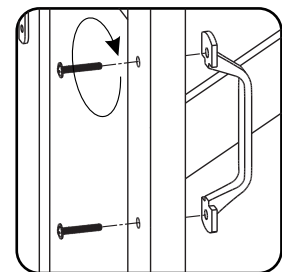


Figure 4

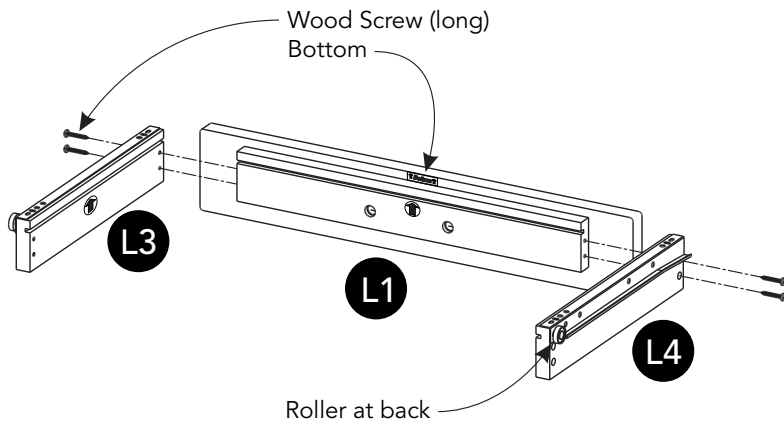
**STEP 6**

Attach Top (A) to unit with Head Cap Bolts.

Note: Arrow label indicates front of unit.

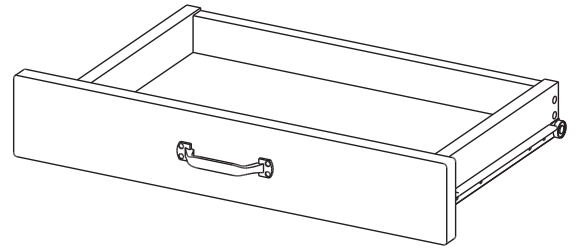
# Assembly Instructions 5/6

## Drawer (L)



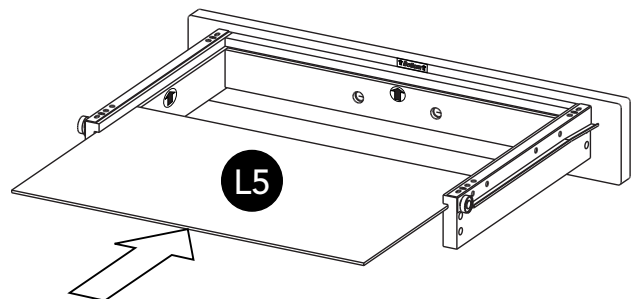
### STEP 7

Attach Drawer Sides (L3) and (L4) to Drawer Front (L1) with Wood Screws (long).



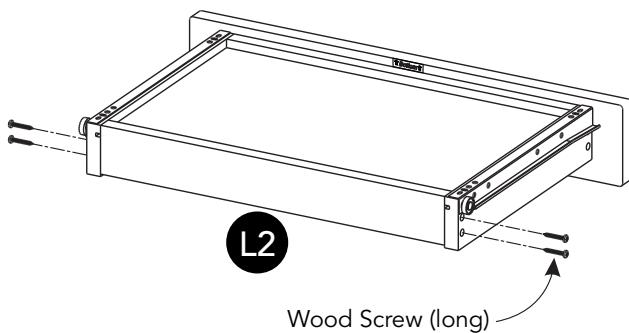
### STEP 8

Slide Drawer Bottom (L5) into groove.



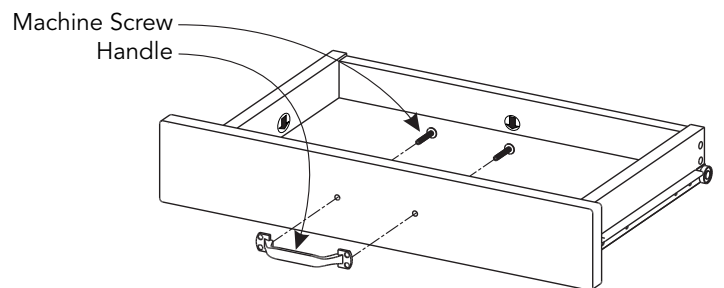
### STEP 9

Attach Drawer Back (L2) to unit with Wood Screws (long).

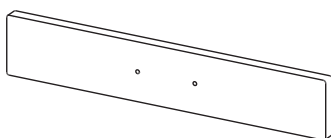


### STEP 10

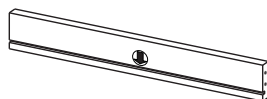
Attach Handle with Machine Screws.



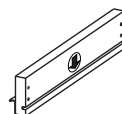
## Part List



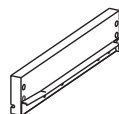
L1.  
Drawer Front  
1 pc.



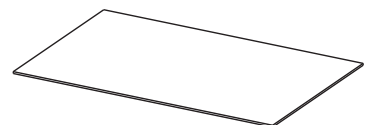
L2.  
Drawer Back  
1 pc.



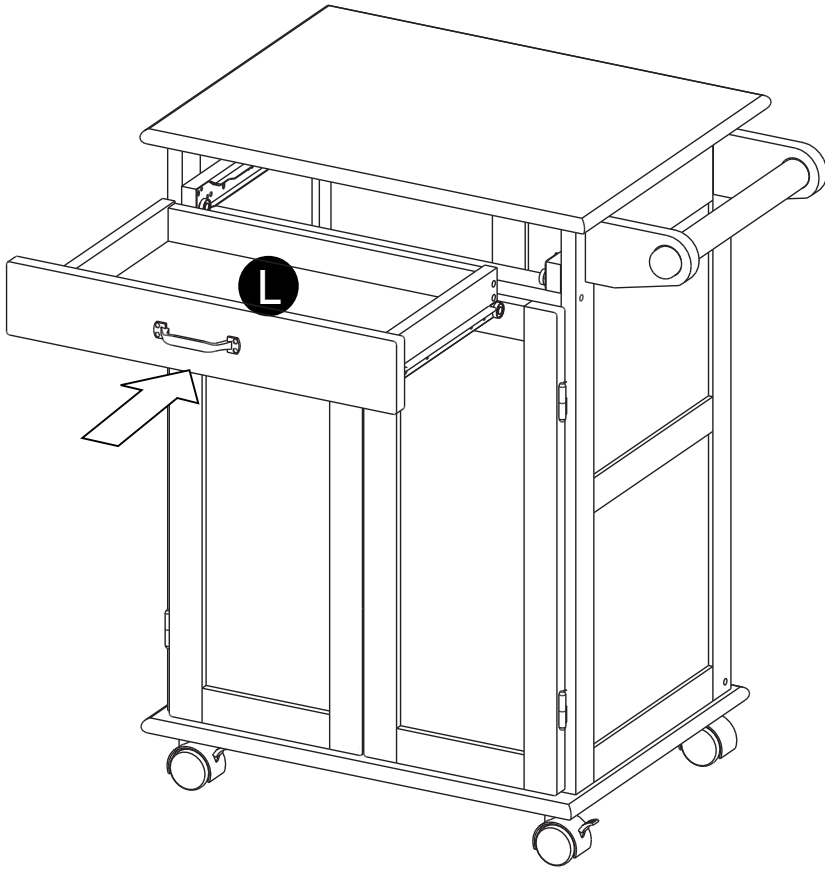
L3.  
Drawer Side  
1 pc.



L4.  
Drawer Side  
1 pc.



L5.  
Drawer Bottom  
1 pc.



**STEP 11**

Slide Drawer (L) into position.

**STEP 12**

Cover holes with Wood Plugs.  
(See Figure 5)

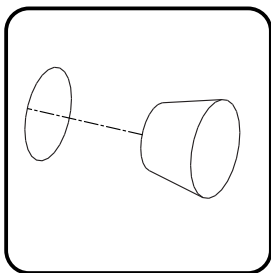
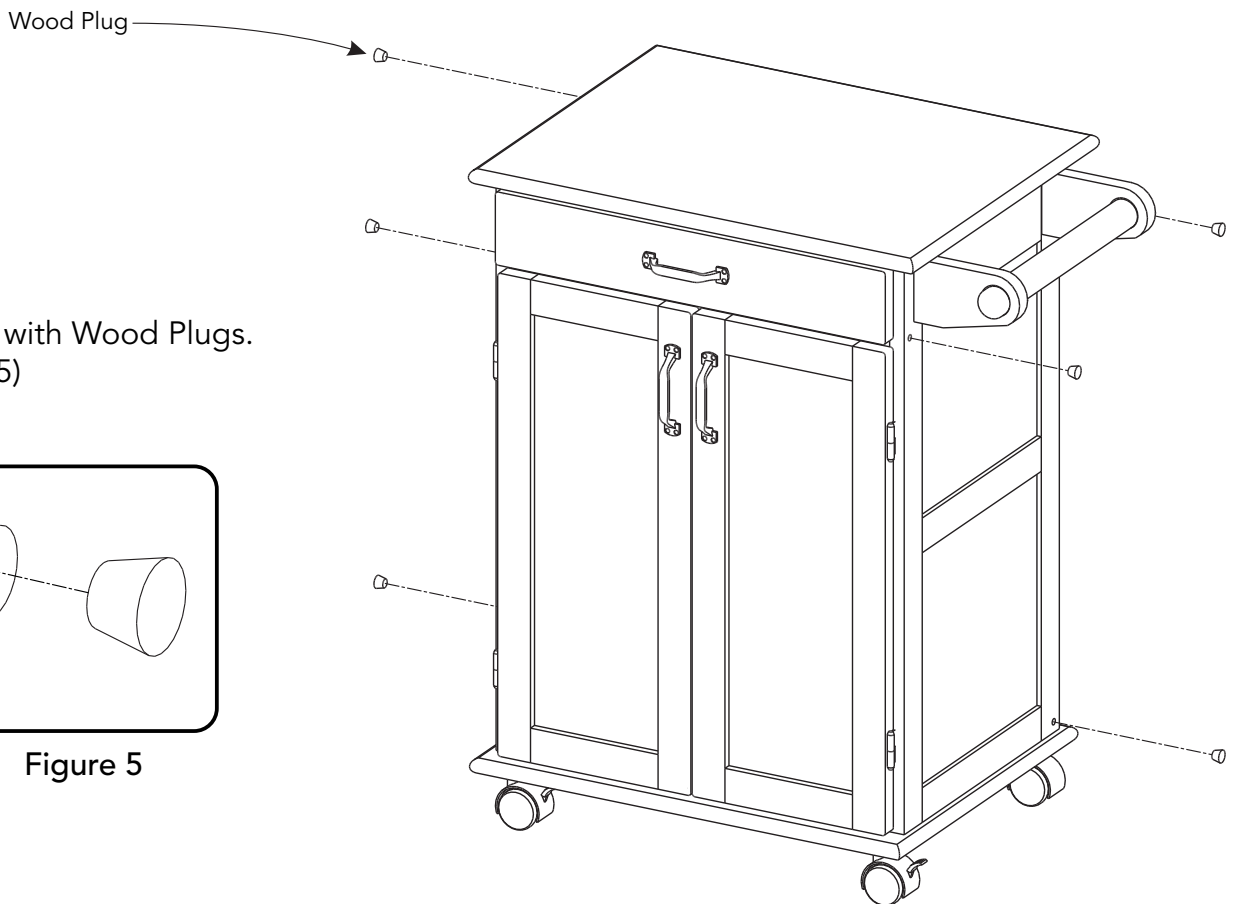


Figure 5



# CARE INSTRUCTIONS

## NEVER

allow liquids to remain on furniture.  
Absorption causes parts to warp  
and split and finishes to delaminate.

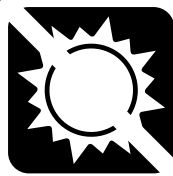
## NEVER

use glass cleaners on  
finished furniture. Ammonia  
chemically attacks the finish.



Do not use power tools  
above 8 volts to assemble.

**PREVENT  
CRACKING**



Do not place  
in direct sunlight.

**PREVENT  
FADING**



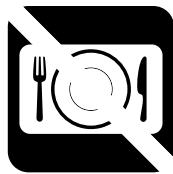
Do not write  
directly on surface.

**PREVENT  
MARKING**



Do not place hot  
objects on surface.

**PREVENT  
FINISH DAMAGE**



Do not use rubber  
based placemats.

**PREVENT  
DISCOLORING**



Do not use commercial  
waxes and polishes.

**PREVENT  
YELLOWING**

## CLEAN

with a soft cloth moistened  
in lukewarm soap and water.  
Buff with a dry clean cloth.



**homestyles** will provide replacements free of charge for missing or damaged parts within 30 days of purchase. Digital images of the defective parts may be required. If the product was not purchased from an authorized retailer, **homestyles** is under no obligation to provide replacement parts. Parts are not available for fully assembled items nor are parts available for sale. Replacements for missing or damaged parts may be requested via contact info below.

**homestyles** Customer Service: [www.homestylesfurniture.com](http://www.homestylesfurniture.com),  
[servicedesk@homestylesfurniture.com](mailto:servicedesk@homestylesfurniture.com), 888-680-7460