

SCHOOLHOUSE

Gantry Flush Mount



Application: Flush Mount

Product Origin: Processed and assembled in Portland, Oregon using ethically-sourced domestic and global components.

UL Listed: Yes

Max Wattage: 60 W

Voltage: 120/220 V

Location Rating: Damp

Dimensions:

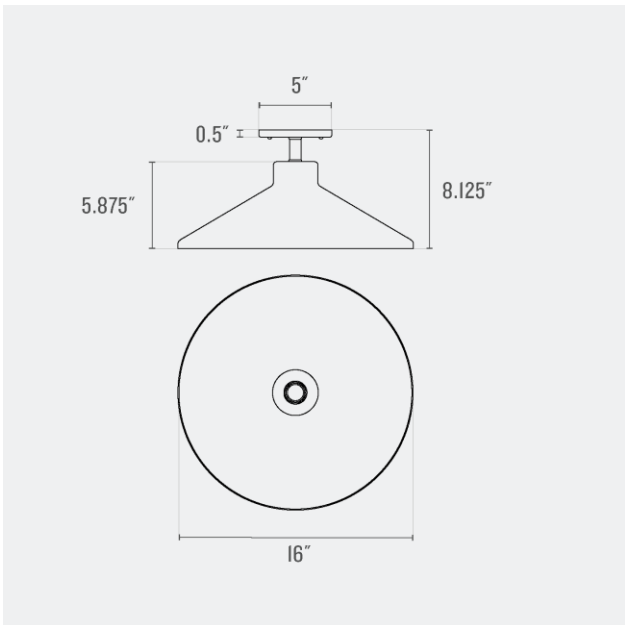
Overall: 8.125" H x 16" W x 16" D

Shade: 5.875" H x 16" W x 16" D

Canopy: 0.5" H x 5" W x 5" D

Materials: Steel

One year guarantee



SCHOOLHOUSE

Color Option(s)



Chamomile-Satin
(CE-S)



Black-Satin
(BK-S)



Lichen-Satin
(LN-S)



Alder-Satin
(AGR-S)



Pool-Satin
(PL-S)



Laurel-Satin
(LR-S)



Pebble-Satin
(PEB-S)



Ecrú-Satin
(EC-S)



Shell White-Satin
(SWT-S)



Dune
(DU)



Paprika-Satin
(PPA-S)