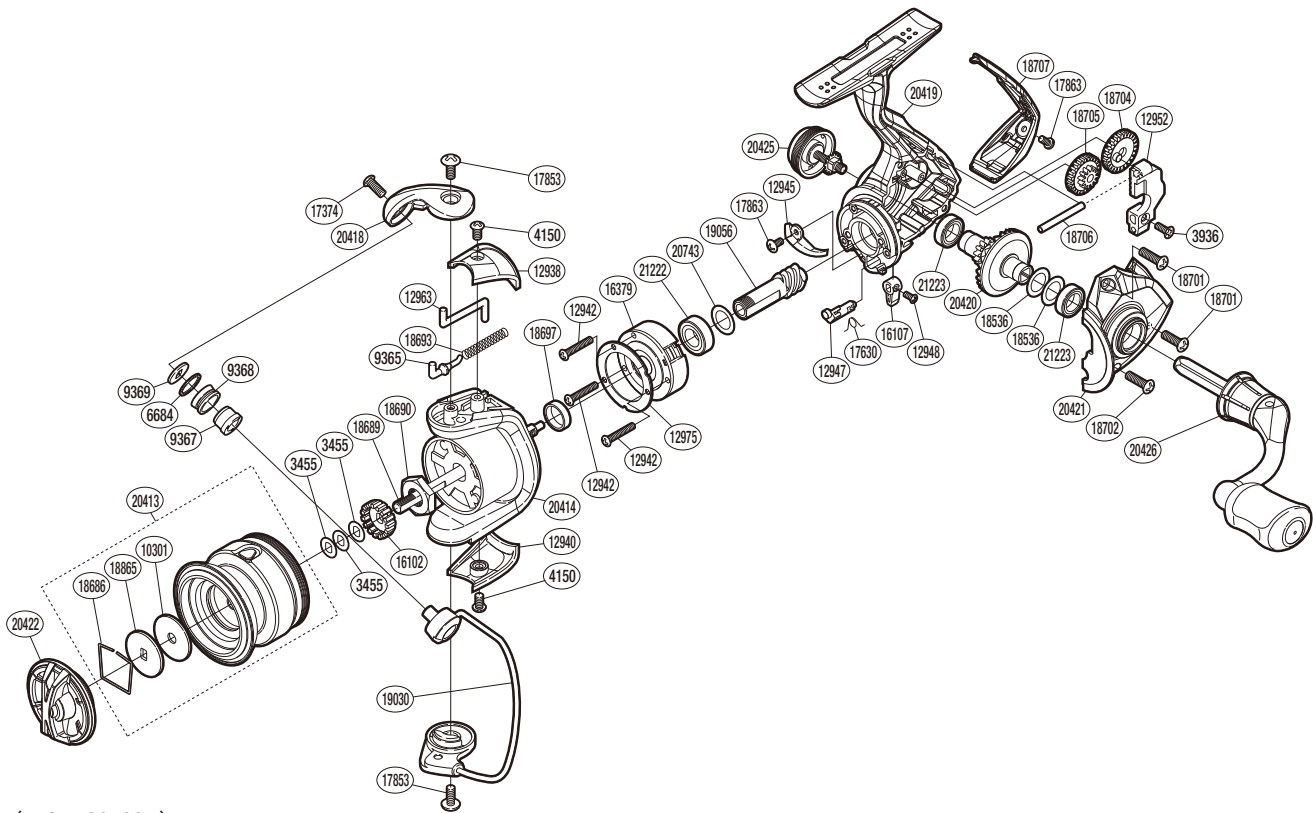


SHIMANO

SIENNA

SN500FG



(51SB480500X)

#	Part No.	Description	#	Part No.	Description	#	Part No.	Description
3455	10BXN	Spool Washer	16102	103MX	Spool Support	18707	10SGA	Rear Protector
3936	10MGL	Screw	16107	10FPW	Anti-Reverse Lever	18865	10N25	Key Washer
4150	103KS	Screw	16379	10QPH	Roller Clutch Assembly	19030	100AU	Bail Assembly
6684	10KFD	Line Roller Spacer	17374	10K90	Screw	19056	10BYU	Pinion Gear
9365	105LS	Bail Spring Guide	17630	10DCS	Anti-Reverse Cam Spring	20413	10THC	Spool Assembly
9367	10PFE	Line Roller Bushing	17853	10LFH	Screw	20414	10SEK	Rotor
9368	10JLF	Line Roller	17863	10LCS	Screw	20418	100YJ	Bail Arm
9369	10PFP	Line Roller Washer	18536	1003B	Washer	20419	10THE	Body
10301	10N56	Drag Washer	18686	10MZN	Drag Washers Retainer	20420	10THH	Drive Gear
12938	10CT3	Bail Spring Cover	18689	10S0V	Main Shaft	20421	10THD	Side Cover
12940	107WM	Bail Hold Support Guard	18690	1081A	Rotor Nut	20422	10E2X	Drag Knob
12942	10L1Z	Screw	18693	10SQ8	Bail Spring	20425	10E2M	Handle Screw Cap
12945	10D8Z	Bail Trip Strike	18697	10HB7	Rotor Ring	20426	10E2Y	Handle Assembly
12947	10DC5	Anti-Reverse Cam	18701	1000N	Screw	20743	10HHQ	Washer
12948	10L1N	Screw	18702	1000L	Screw	21222	10TLQ	Ball Bearing
12952	104WG	Oscillating Slider	18704	10QWF	Oscillating Gear	21223	10TLP	Ball Bearing
12963	10FB0	Bail Trip Lever	18705	10QWJ	Idle Gear B Large			
12975	10AEX	Roller Clutch Reinforce	18706	10QWH	Oscillating Guid			

Please note that the number of adjusting washers may not be the same as shown in the exploded views.
(Adjustment will vary with each individual product.)

(230823)_006