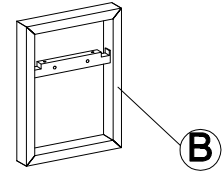
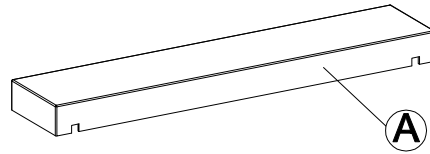


ONE COLLECT. DINING BENCH ASSEMBLY INSTRUCTIONS



PARTS PACKING CONFIGURATIONS

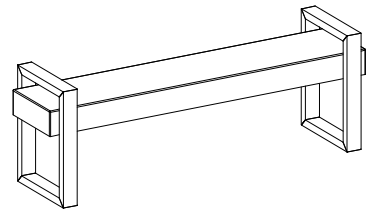
- A. SEAT 1PC
- B. LEG 2PCS



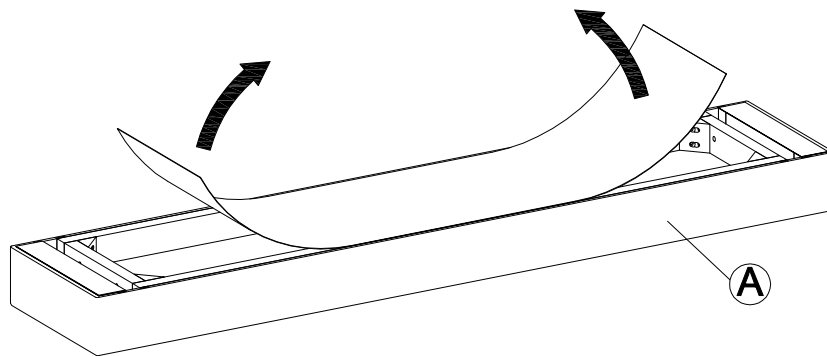
HARDWARE KIT PACKED IN BOX

NO.	DESCRIPTION	IMAGE	Q'TY
1	ALLEN BOLT (5/16"x2-3/4")		4 PCS
2	ALLEN BOLT (5/16"x2-1/4")		4 PCS
3	LOCK WASHER (5/16")		8 PCS
4	FLAT WASHER (5/16")		8 PCS
5	ALLEN KEY (5mm)		1 PC

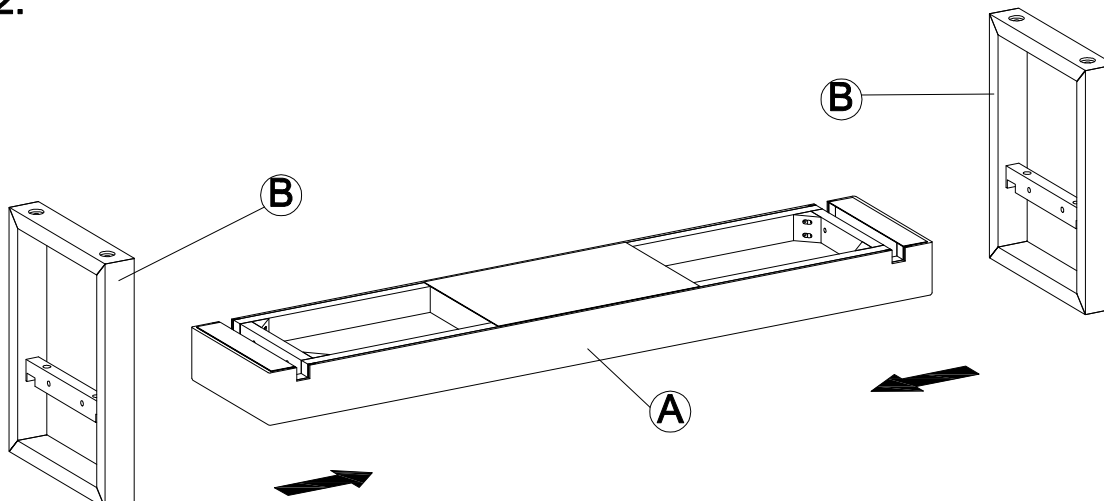
FULLY ASSEMBLED



Step 1:



Step 2:

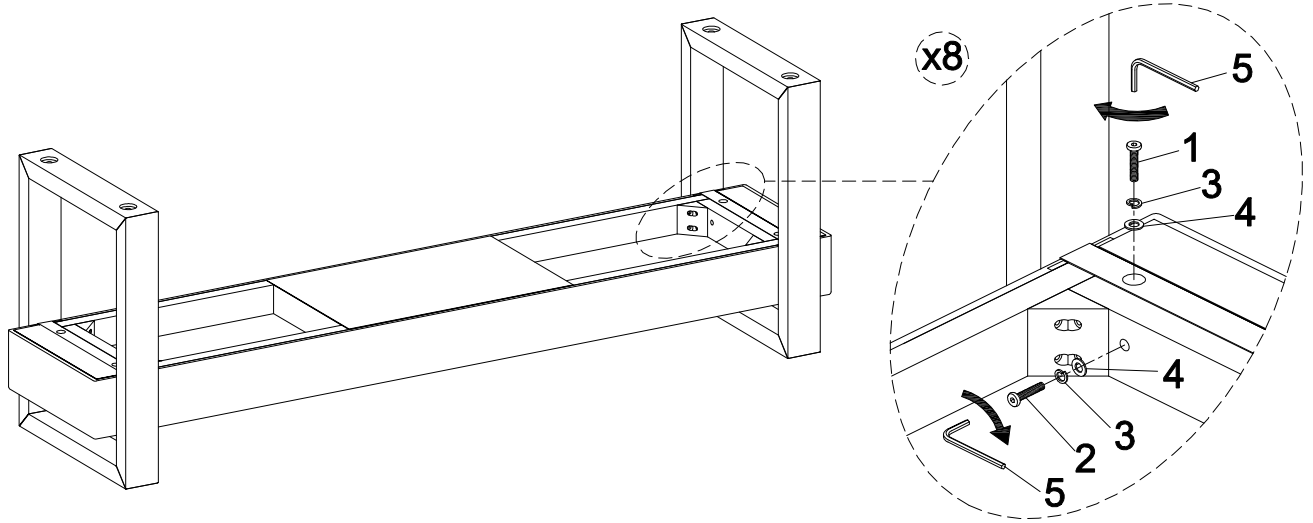


ONE COLLECT. DINING BENCH ASSEMBLY INSTRUCTIONS

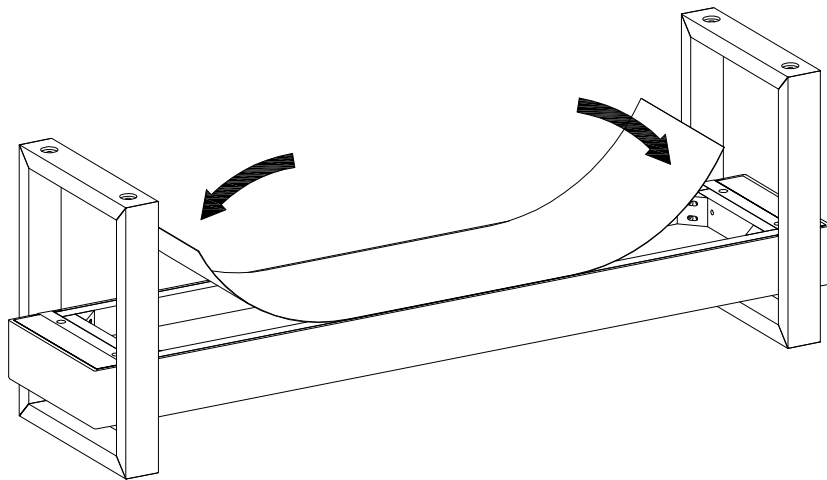


Step 3:

 #1 (4)	 #2 (4)	 #3 (8)	 #4 (8)	 #5 (1)
-------------------------------------------------------------------------------------------	--------------------------------------------------------------------------------------------	--------------------------------------------------------------------------------------------	--------------------------------------------------------------------------------------------	--------------------------------------------------------------------------------------------



Step 4:



ASSEMBLY COMPLETE

