






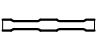



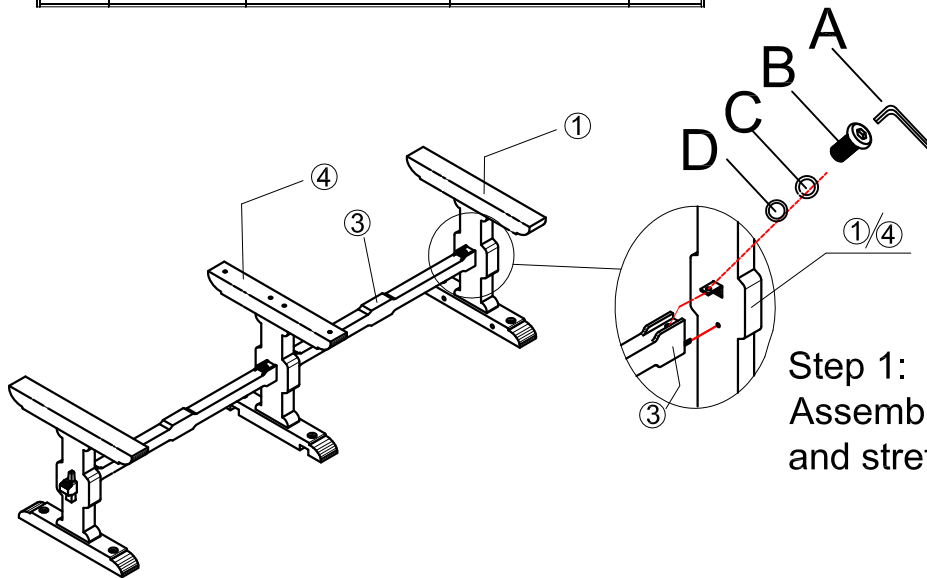
Thank you for purchasing this quality product. Be sure to unpack carefully looking for small parts which may have come loose during shipment. Read all instruction and study the drawing carefully before starting the assembly process.

HARDWARE PACK

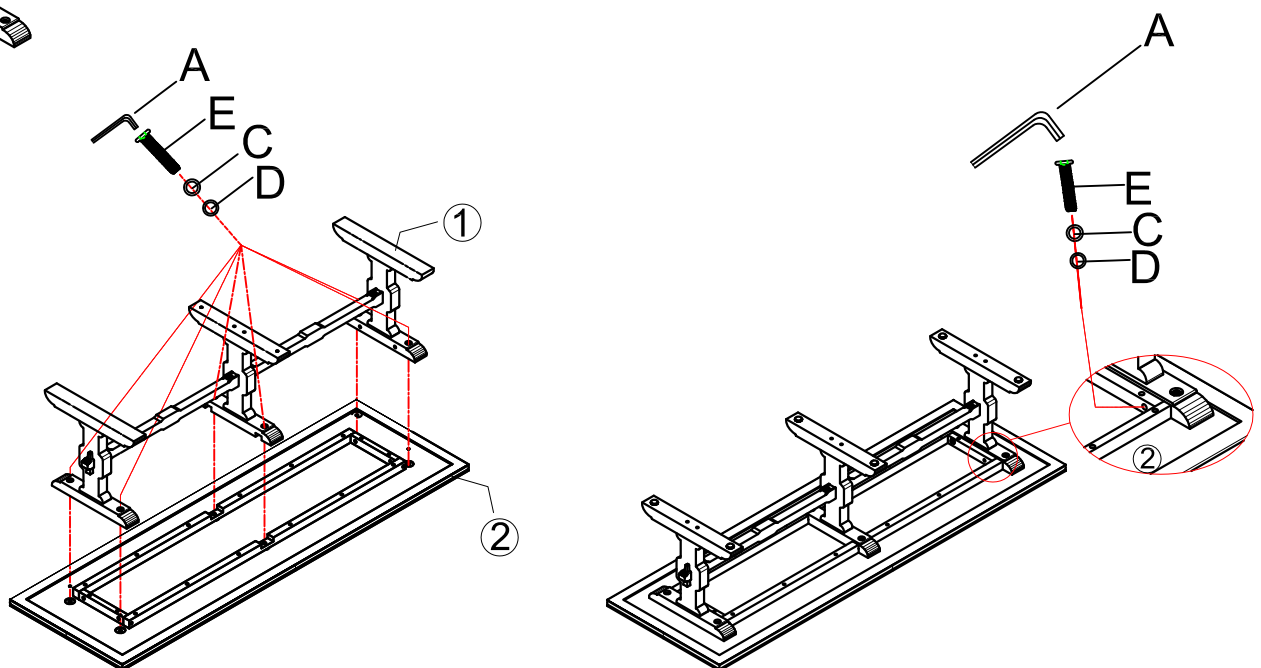
PART LIST

NO.	DRAWING	DESCRIPTION	SIZE	Q'TY
A		Allen Wrench	5mm	1pc
B		Bolt	5/16*25mm	4pcs
C		Lock Washer	5/16"	14pcs
D		Flat Washer	5/16"	14pcs
E		Bolt	5/16*55mm	10pcs

NO.	DRAWING	DESCRIPTION	Q'TY
①		Side Leg	2PCS
②		Table Top	1PC
③		Stretchers	2PCS
④		Center Leg	1PC

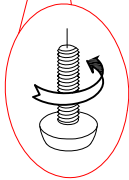
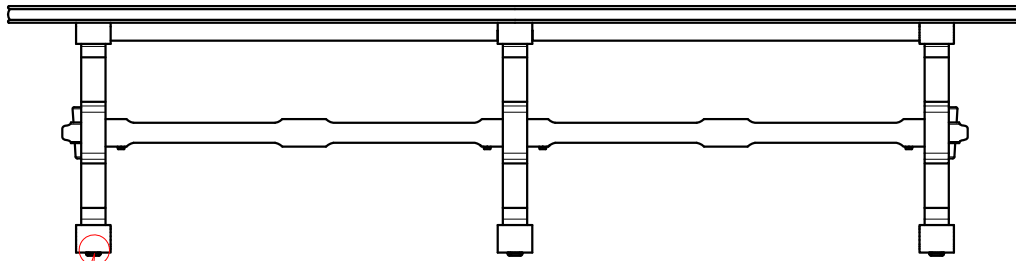


**Step 1:**  
Assemble side legs (1), center leg (4) and stretchers (3).



**Step 2:**  
Attach the base to table top (2).

Thank you for purchasing this quality product. Be sure to unpack carefully looking for small parts which may have come loose during shipment.  
Read all instruction and study the drawing carefully before starting the assembly process.



**Step 3:**  
Adjust leveler if needed to level table on uneven floor.