


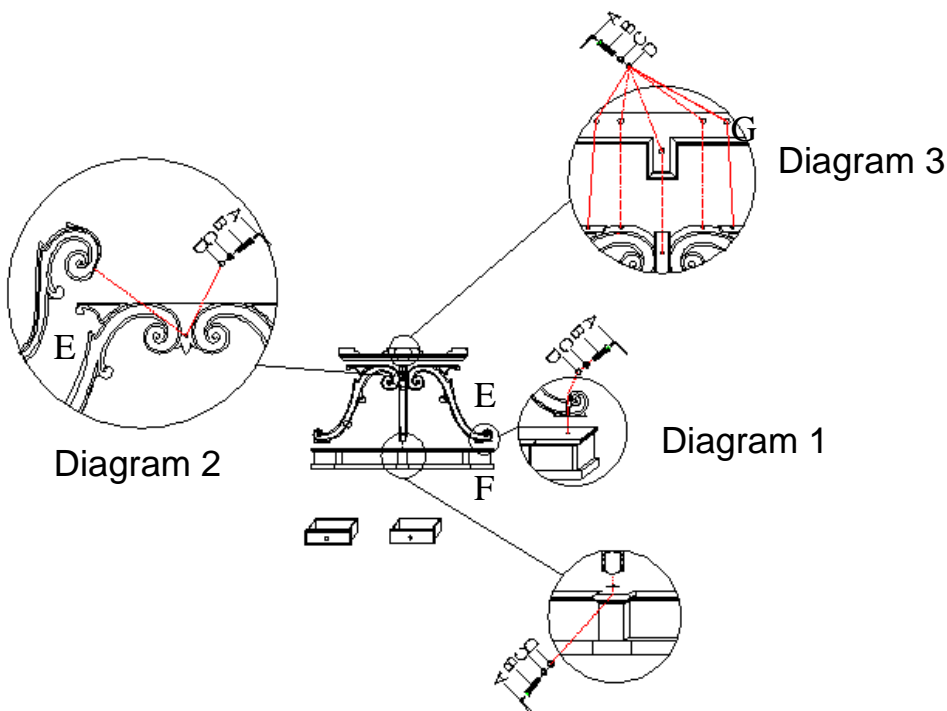
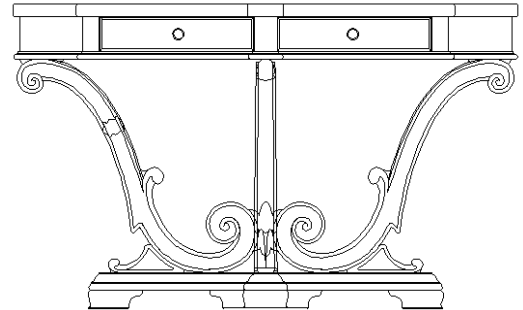


ASSEMBLY INSTRUCTION

Item#: 3022-85001 Thin Console-Amber Sands

**** Please make sure you have all parts indicated below prior to assembly.**

NO.	HARDWARE LIST		Q'TY
A		ALLEN WRENCH	1
B		BOLT	9
C		LOCK WASHER	9
D		FLAT WASHER	9



Assembly Steps:

1. Pull out drawers. Place console top (F) upside down on a soft surface to prevent from being scratched. (see diagram 1)
2. Attach three posts (E) to console top(F) using 3 bolts (B), 3 lock washers (C) and 3 flat washers (D). Tighten all bolts by turning with allen wrench (A) in a clockwise direction. (See diagram 1)
3. Fix front post to the other two posts with bolt (B), lock washer (C) and flat washer (D). Tighten bolt by turning with allen wrench (A) in a clockwise direction. (See diagram 2)
4. Attach base (G) to posts using 5 bolts (B), 5 lock washers (C) and 5 flat washers (D). Tighten all bolts by turning with allen wrench (A). (See diagram 3)
5. Turn the console upright and put drawers back.

Cleaning Instruction: Clean finished parts with a mild dishwashing liquid and water solution on a damp cloth. Polish the finish with soft cloth and an industry recognized furniture polish