

VACUUM PUMP

Item Number W87031

OWNER'S MANUAL



Performance Tool®

▲WARNING: READ, UNDERSTAND AND FOLLOW ALL INSTRUCTIONS AND WARNINGS BEFORE OPERATING THIS TOOL. FAILURE TO DO SO MAY RESULT IN PERSONAL INJURY AND/OR PROPERTY DAMAGE AND WILL VOID WARRANTY.

PT[®]
Performance Tool

TOOL FEATURES

- | | |
|--|-------------------------------------|
| 1. Brake Bleeder/Vacuum Pump | 9. (6) Tapered Hose Adapters |
| 2. 2 in. Pressure Gauge | 10. "T" Hose Connector |
| 3. Vacuum Release Control | 11. Straight Hose Connector |
| 4. Operation Jar Lid | 12. (2) Brake Bleeder Screw Adapter |
| 5. Transport Jar Lid | 13. Universal Cup Adapter |
| 6. Reservoir Jar | 14. (2) Plugs |
| 7. (2) 2 ft. 1/4 in. I.D. Vacuum Hoses | 15. Vacuum Hose Adapter |
| 8. (3) 1/4 in. I.D. Vacuum Hoses | |



▲NOTE: Some parts are listed and shown for illustration purposes only, and are not available individually as replacement parts.

SPECIFICATIONS:

Gauge.....	2 in. Diameter
Gauge Scale.....	0,-.30 in/Hg (0<->76 cm/Hg) Vacuum
Long Vacuum Hose.....	(2) 1/4 in. I.D. X 24 in.
Small Vacuum Hose.....	(3) 1/4 in. I.D.
Reservoir Jar.....	4 oz.
Net Weight.....	1.8 lbs.

Specifications are subject to change without notice.

SAFETY GUIDELINES / DEFINITIONS

This instruction manual is intended for your benefit. Please read and follow the safety, installation, maintenance and troubleshooting steps described within to ensure your safety and satisfaction. The contents of this instruction manual are based upon the latest product information available at the time of publication. The manufacturer reserves the right to make product changes at any time without notice.

▲WARNING: Read and understand this entire instruction manual before attempting to assemble, install, operate or maintain this product. Failure to comply with the instructions may result in serious personal injury and/or property damage!

The following signal words are used to emphasize safety warnings that must be followed when using this product:

▲DANGER: Indicates an imminently hazardous situation that, if not avoided, WILL result in death or serious injury.

▲CAUTION: Indicates a potentially hazardous situation that, if not avoided, MAY result in minor or moderate injury.

▲WARNING: Indicates a potentially hazardous situation that, if not avoided, COULD result in death or serious injury.

▲NOTE: Indicates important information, which if not followed, MAY cause damage to equipment.

UNPACKING

- When unpacking, check to make sure all the parts shown on pg. 2 are included. If any parts are missing or broken, please call customer support at 1-800-497-0552

GENERAL SAFETY

- Stay alert. Watch what you are doing, and use common sense when operating the Brake Bleeder/Vacuum Pump. Do not use the tool while tired or under the influence of drugs, alcohol, or medication. A moment of inattention while operating the tool may result in serious personal injury.
- Dress properly. Do not wear loose clothing or jewelry. Contain long hair. Keep your hair, clothing, and jewelry away from moving parts. Loose clothes, jewelry, or long hair can be caught in moving parts.
- Do not overreach. Keep proper footing and balance at all times. Proper footing and balance enables better control of the power tool in unexpected situations.
- Use safety equipment. Always wear eye protection. Safety equipment such as dust masks, non-slip safety shoes, helmets or ear protection used in appropriate conditions will reduce the risk of injury.

PRODUCT WARNINGS

- Maintain a safe working environment. Keep the work area well lit. Make sure there is adequate surrounding workspace. Always keep the work area free of obstructions, grease, oil, trash, and other debris. Do not use the Brake Bleeder/Vacuum Pump in areas near flammable chemicals, dusts, and vapors. Do not use this product in a damp or wet location.
- Maintain labels and nameplates on this product. These carry important information. If unreadable or missing, contact Performance Tool for a replacement.
- Keep the Handles of the Brake Bleeder dry, clean, and free from brake fluid, oil, and grease.
- Prior to using the Brake Bleeder/Vacuum Pump make sure to read and understand all warnings, safety precautions, and instructions as outlined in the vehicle manufacturer's instruction manual. Every vehicle has specific measurement values for vacuum related readings. It is beyond the scope of this manual to properly describe the correct procedure and test data for each vehicle.

▲WARNING: Carbon monoxide is produced while a vehicle's engine is operating and is deadly in a closed environment. Early signs of carbon monoxide poisoning resemble the flu, with headaches, dizziness, or nausea. If you have these signs, the work area may not be vented properly. Get fresh air immediately.

- Prior to using the Brake Bleeder/Vacuum Pump, make sure to place the vehicle's transmission in "PARK" (if automatic) or "NEUTRAL" (if manual). Then, block the tires with chocks.
- Be alert for hot engine parts to avoid accidental burns.
- Avoid accidental fire and/or explosion. Do not smoke near engine fuel and battery components.
- Use the Brake Bleeder only with brake fluid. Do not attempt to use the tool to siphon any other liquids. Damage to the internal chamber and seal, or future brake fluid contamination may result.
- Follow guidelines for proper brake fluid disposal. Used brake fluid should be removed from the vehicle and properly recycled. Many states require recycling. Contact your local solid/liquid waste authority for information on recycling. Do not reuse old brake fluid.
- Brake fluid is corrosive. Avoid spilling it on the vehicle's exterior, it can harm automobile paint.

▲WARNING: People with pacemakers should consult their physician(s) before using this product on a running engine. Electromagnetic fields in close proximity to a heart pacemaker could cause interference or failure of the pacemaker. In addition, people with pacemakers should adhere to the following: Caution is necessary when near the coil, spark plug cables, or distributor of a running engine. The engine should always be off if adjustments are to be made to the distributor.

▲WARNING: Always release the vacuum in the Brake Bleeder/Vacuum Pump before performing any inspection, maintenance, or cleaning.

- Before each use: Inspect the general condition of the Brake Bleeder/Vacuum Pump. Check for misalignment or binding of moving parts, cracked or broken parts, damaged Hoses, loose connections, and any other condition that may affect its safe operation. If a problem occurs, have the problem corrected before further use. Do not use damaged equipment.

▲WARNING: The warnings, precautions, and instructions discussed in this manual cannot cover all possible conditions and situations that may occur. The operator must understand that common sense and caution are factors which can not be built into this product, but must be supplied by the operator.

ASSEMBLY & OPERATION INSTRUCTIONS

1. Attach a 3 in. Vacuum Hose (8) to the bottom of the Jar Lid (4). (See Figure A.)
2. Attach a 24 in. Vacuum Hose (7) to the top of the Jar Lid (4) marked "TO PUMP". Then, attach the other end of the 24 in. Vacuum Hose to the Brake Bleeder/Vacuum Pump (1). (See Figure B.)
3. Firmly attach the Jar Lid (4) to the Reservoir Jar (6). (See Figure A.)

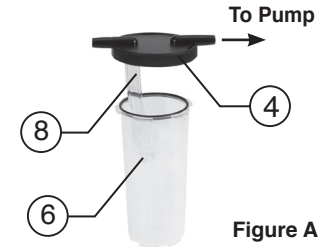


Figure A

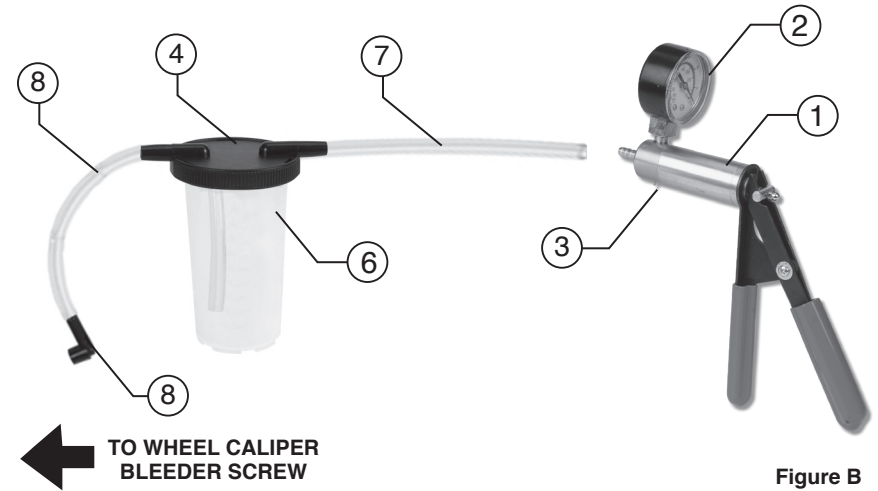


Figure B

4. Remove the cap from the vehicle's master cylinder, and check to make sure the master cylinder is full of brake fluid. If not full, fill the master cylinder to capacity with clean, new brake fluid. (Use only the kind of brake fluid recommended by the vehicle manufacturer.)

▲NOTE: Determine the proper brake bleeding sequence from your vehicle service manual (i.e., right rear wheel, left rear wheel, right front wheel, left front wheel).

6. Connect the 24 in. Vacuum Hose (7) to the remaining port on the Jar Lid (4) and then connect the other end to the Brake Bleeder Screw Adapter (12).
7. Squeeze the Handle of the Brake Bleeder/Vacuum Pump (1) a few times to create a vacuum in its Reservoir Jar (6).

▲NOTE: The Gauge (2) on the Brake Bleeder/Vacuum Pump(1) should read at approximately 10 in/Hg. Do not exceed 20 in/Hg. A greater vacuum could damage the vehicle's brake system.

8. Once the Brake Bleeder/Vacuum Pump (1) is ready, check for leaks at the Reservoir Jar (6) and at all Vacuum Hose (7, 8) connections. If there is a leak, release the vacuum in the Brake Bleeder/Vacuum Pump with the Vacuum Release Control (3).

ASSEMBLY & OPERATION INSTRUCTIONS CONT.

▲CAUTION: NEVER remove the Jar Lid (4) before releasing the vacuum in the Brake Bleeder/Vacuum Pump. Correct the leak, and once again create a vacuum in the Brake Bleeder/Vacuum Pump to approximately 10 in/Hg.

9. Open the vehicle's wheel caliper bleeder screw, and allow brake fluid to flow into the Reservoir Jar (6). Then, retighten the wheel caliper bleeder screw after bleeding.
10. Release the vacuum in the Brake Bleeder/Vacuum Pump (1) with the Vacuum Release Control. Then, disconnect the Brake Bleeder Screw Adapter (12) from the vehicle's wheel caliper bleeder screw.

▲NOTE: When necessary, release the vacuum in the tool and empty its Reservoir Jar (5) of old brake fluid. To assist in transport, this set includes a leak-resistant Lid (4) without hose connections. After the brake fluid is disposed of properly, resume bleeding the brakes.

12. Remove the cap from the vehicle's master cylinder, and refill the master cylinder back to its normal capacity with clean, new brake fluid. Then, replace the cap on the master cylinder.
13. Proceed to the vehicle's next wheel, and perform the same steps as above.
14. When finished using the Brake Bleeder/Vacuum Pump, clean the tool and store it in a clean, dry location out of reach of children.

▲WARNING: Before driving the vehicle, carefully check for leaks and test for proper brake operation.

CARE AND MAINTENANCE

1. Tool service must be performed only by qualified repair personnel. Service or maintenance performed by unqualified personnel could result in a risk of injury.
3. When cleaning: Do not clean the Brake Bleeder/Vacuum Pump with cleaners or other solvents not intended for use with plastic components. Use a clean cloth and, if necessary, a mild detergent. Do not immerse the Brake Bleeder/Vacuum Pump (1) component in any liquid.
4. When storing: Never store fluid in the Reservoir Jar (6) of the Brake Bleeder/Vacuum Pump. Always dispose of excess fluid properly, according to federal regulations.

▲WARNING: All maintenance, service, or repairs not listed in this manual are only to be attempted by a qualified service technician.

DIAGRAM



EXPANDED PARTS LIST

No.	Description	Qty.	No.	Description	Qty.
1	Brake Bleeder/Vacuum Pump	1	9	Tapered Hose Adapters	6
2	2 in. Pressure Gauge	1	10	"T" Hose Connector	1
3	Vacuum Release Control	1	11	Straight Hose Connector	1
4	Operation Jar Lid	1	12	Brake Bleeder Screw Adapter	2
5	Transport Jar Lid	1	13	Universal Cup Adapter	1
6	Reservoir Jar	2	14	Plug	2
7	24 in. x 1/4 in. I.D. Hose	2	15	Vacuum Hose Adapter	1
8	1/4 in. I.D. Vacuum Hoses	3			

▲WARNING: *It is the owner and/or operators' responsibility to study all WARNINGS, operating, and maintenance instructions contained on the product label and instruction manual prior to operation of this product. The owner/operator shall retain product instructions for future reference.*

The owner and/or operator are responsible for maintenance, maintaining all decals or warning labels and while in use, maintaining the unit in good working order. If the owner and/or operator are not fluent in English, the product warnings and instructions shall be read and discussed with the operators' native language by the purchaser/owner or his designee. Make sure that the operator comprehends its contents. Safety information shall be emphasized and understood prior to usage. The product shall be inspected per the operating instructions.

Users of this product must fully understand these instructions. Each person operating this product must also be of sound mind and body and must not be under the influence of any substance that might impair their vision, dexterity or judgment.

Protect yourself and others by observing all safety information.

Failure to comply with instructions could result in personal injury and/or property damage!

If you encounter any problems or difficulties, please contact our customer service department at:

1-800-426-1262 between 6:30 a.m. and 4:30 p.m. Pacific time.

1 YEAR WARRANTY

PERFORMANCE TOOL® extends only the following warranties, and only to original retail purchasers. These warranties give specific legal rights. Except where prohibited by local law, the law of the State of Washington governs all warranties and all exclusions and limitations of warranties and remedies. There may be other rights which vary from state to state.

PERFORMANCE TOOL® warrants the product to be free from defects in materials and workmanship under normal use and service. A defective product may be returned for a free replacement within 90 days from the date of purchase, provided that product is returned to place of purchase immediately after discovery of defect. After 90 days and up to one year from date of purchase, PERFORMANCE TOOL® will replace at no charge any parts which our examination shall disclose to be defective and under warranty. These warranties shall be valid only when a sales receipt showing the date of purchase accompanies the defective product or defective part (s) being returned. For part (s) after 90 days, please remit your request, postage prepaid to:

PERFORMANCE TOOL, P.O. Box 88259 Tukwila, WA 98138

These warranties exclude blades, bits, punches, dies, bulbs, fuses, hoses, and other consumables which must be replaced under normal use and service. These warranties shall not apply to any product or part which is used for a purpose for which it is not designed, or which has been repaired or altered in any way so as to affect adversely its performance or reliability, nor shall these warranties apply to any product or part which has been subject to misuse, neglect, accident or wear and tear incident to normal use and service.

PERFORMANCE TOOL® does not authorize any other person to make any warranty or to assume any liability in connection with its products.

Except for warranties of title and the limited express warranties set forth above, PERFORMANCE TOOL® makes no express or implied warranties of any kind with respect to its products. In particular, PERFORMANCE TOOL® makes no implied warranty of merchantability and no implied warranty of fitness for any particular purpose, except that for goods purchased primarily for personal, family or household use and not for commercial or business use, PERFORMANCE TOOL® makes an implied warranty of merchantability (and, if otherwise applicable, an implied warranty of fitness for a particular purpose), but only for the particular qualities or characteristics, and for the duration, expressly warranted above.

The laws on limitation of implied warranties may differ from state to state, so the above limitations may not apply in all cases.

PERFORMANCE TOOL® shall not be liable for consequential, incidental or special damages resulting from or in any manner related to any product, or to the design, use, or any inability to use the product. The sole and exclusive remedy for a defective product or part shall be the repair, or replacement thereof as provided above. The laws on limitation of remedies or on consequential, incidental or special damages may vary from state to state, so the above limitations may not apply in all cases.