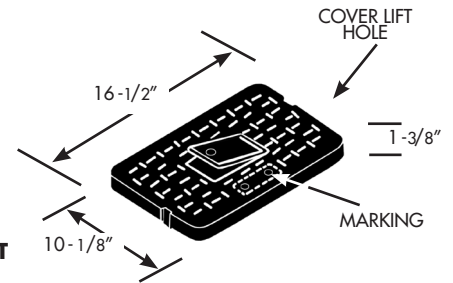
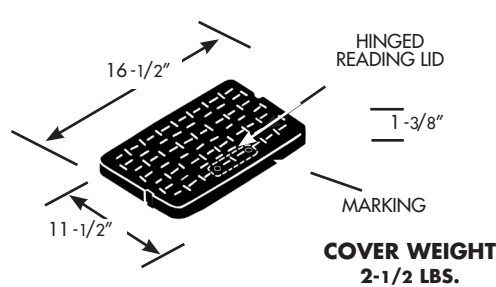
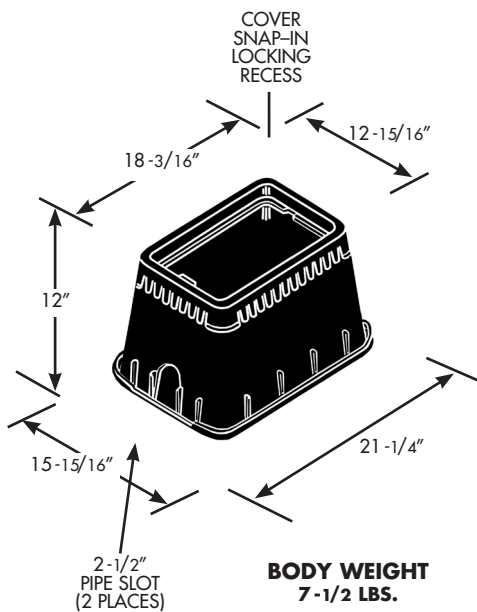


SPECIFICATION SUBMITTAL SHEET

jones stephens corporation

12" WATER METER BOX



| PART NO. | DESCRIPTION |
|----------------|--------------------------------|
| M12-001 | 12" box and solid green lid |
| M12-002 | 12" box and black reader lid |
| M12-022 | 12" box and lid marked "sewer" |
| M12-003 | 6" extension |
| M12-005 | 12" solid green lid only |
| M12-006 | 12" black reader lid only |
| M12-009 | 12" box and solid black lid |

jones stephens corporation
 3249 moody parkway • moody, alabama 35004
 toll free phone: 1-800-355-6637 • toll free fax: 1-800-462-6991
 www.plumbest.com