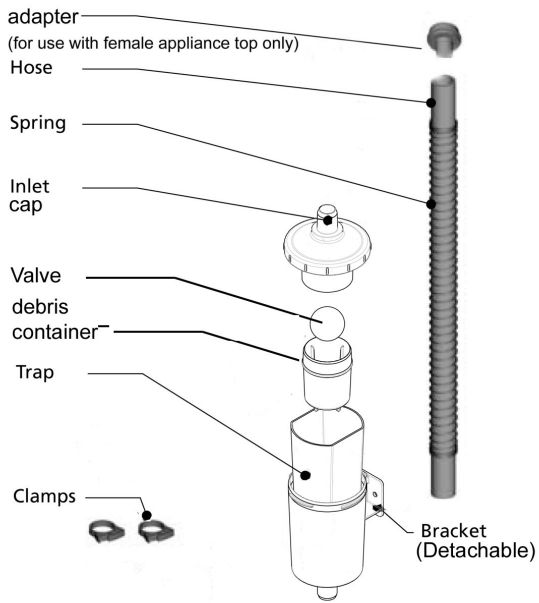
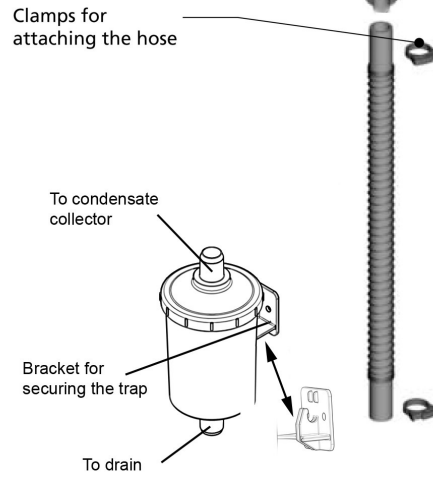


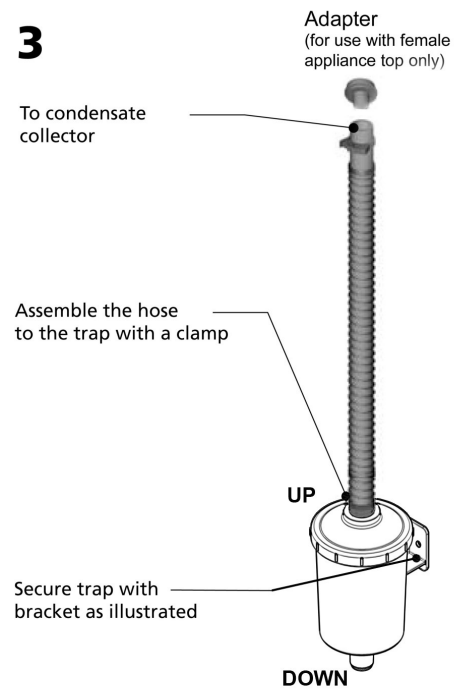
1 Parts list



2



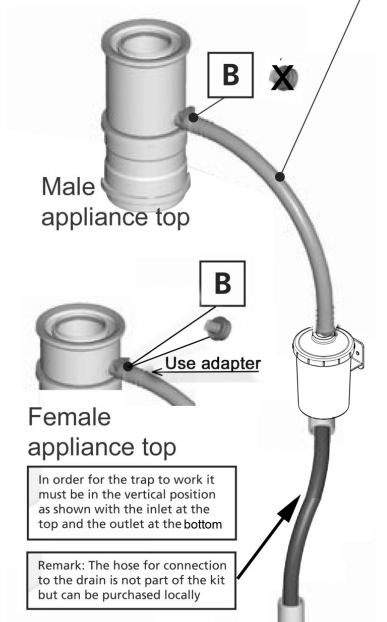
3



For further details refer to the general **INSTALLATION INSTRUCTIONS** for the Rolux Vent System

4

The hose can be connected to the condensate collector [B] with a clamp



5

Condensate trap annual inspection and cleaning

Note: if any component is damaged replace condensate trap completely

- 1 Remove inletcap (twist left)
 - 2 Remove Debris Container from Cap (twist and pull)
 - 3 Remove debris and clean all components with water.
 - 4 Re-assemble components in reversed order
-

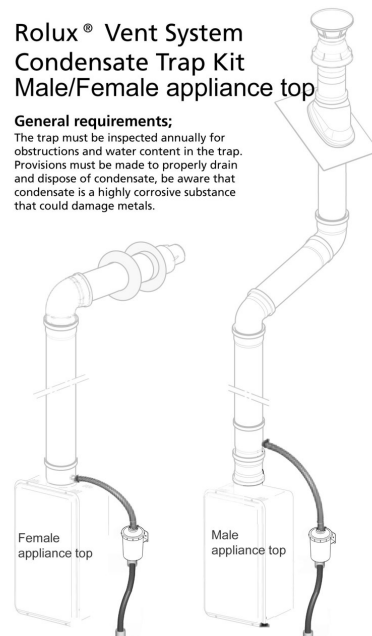
Ubbink

INSTALLATION INSTRUCTIONS

Rolux® Vent System Condensate Trap Kit Male/Female appliance top

General requirements:

The trap must be inspected annually for obstructions and water content in the trap. Provisions must be made to properly drain and dispose of condensate, be aware that condensate is a highly corrosive substance that could damage metals.



Dispose of condensate in accordance with local codes.

The installation instructions should be kept with the appliance for maintenance



article code: 0072326 0905

Ubbink bv
P.O. Box 26
6980 AA Doesburg
The Netherlands
T +31 313 48 02 00
F +31 313 47 39 42
info@ubbink.nl
www.ubbink.nl