

Croma
SAM Set Plus without Shower Components
 Finishes : **brushed nickel** Part no. : **04527820**



Description

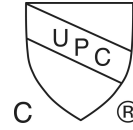
Features

- Suitable for shower and tub/shower installations
- The adjustable handshower holder on this model should not be used with a handshower with a spray face larger than 125 mm (5") in diameter
- Locking push-button diverts flow to handshower

Item details

List Price \$ 450.00

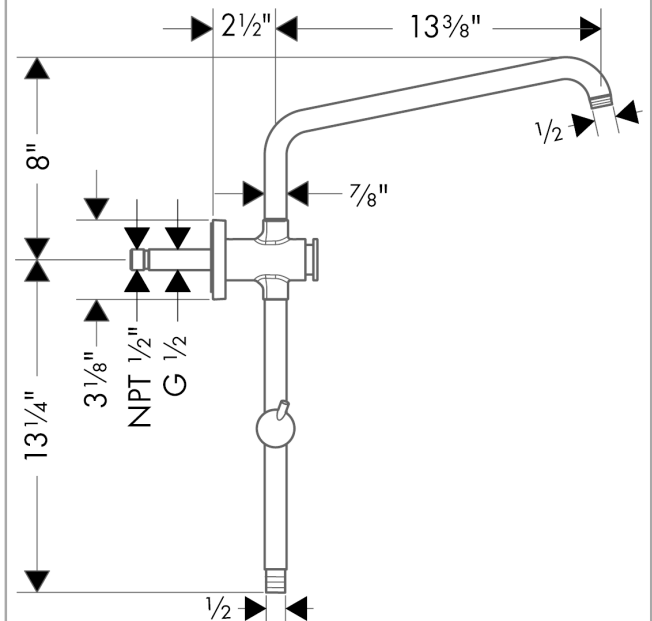
Compliance



Product image



Scale drawing

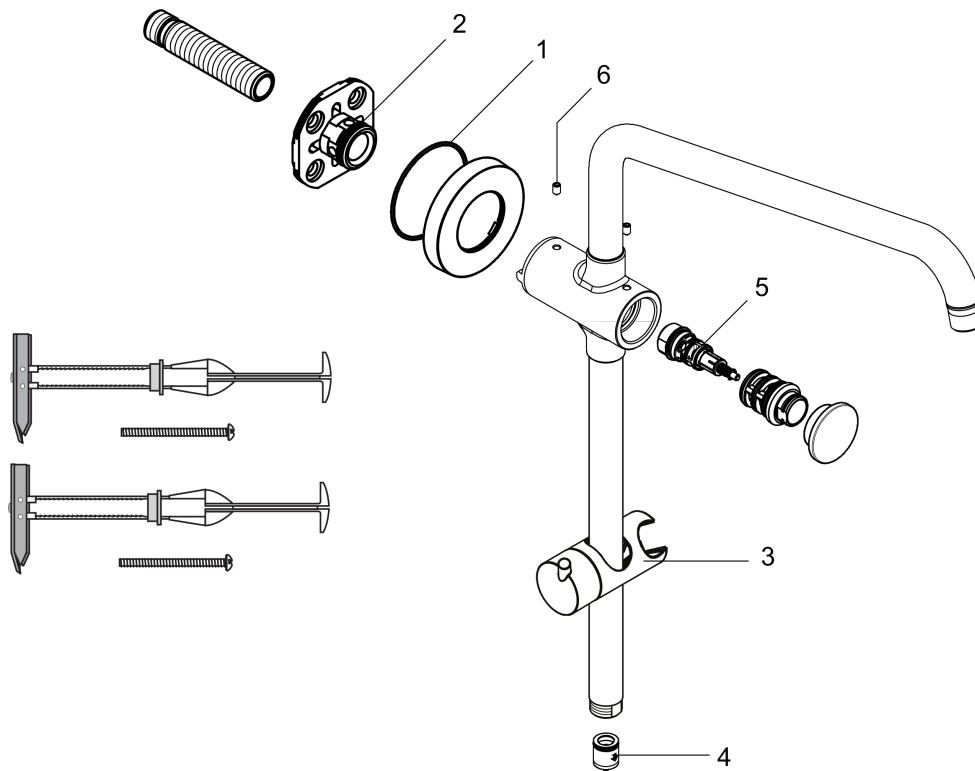


Croma
SAM Set Plus without Shower Components
 Finishes : **brushed nickel** Part no. : **04527820**



Exploded drawing

Year of production: >07/14



Croma
SAM Set Plus without Shower Components
 Finishes : **brushed nickel** Part no. : **04527820**



Spare parts list

Year of production: >07/14

Pos.	Description	Part no.	Price	PU
1	O-ring 65x2	98472000	-	1
2	O-ring 25x2,5	92146000	-	1
3	support, assy	95160820	-	1
4	set of non return valves DW 15	94074000	-	1
5	selector (invers)	95657000	-	1