




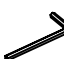
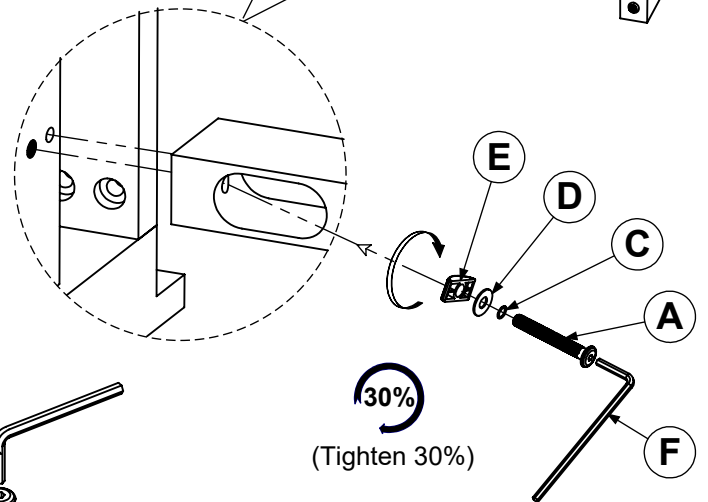
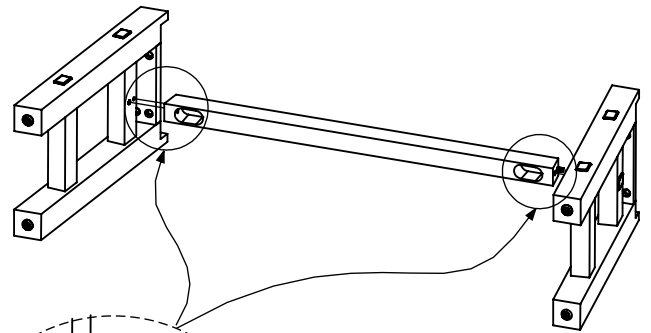


Thank you for purchasing this quality product. Be sure to unpack carefully looking for small parts which may have come loose during shipment.

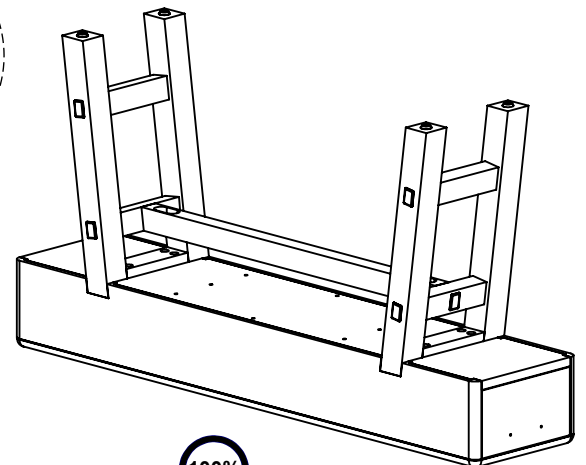
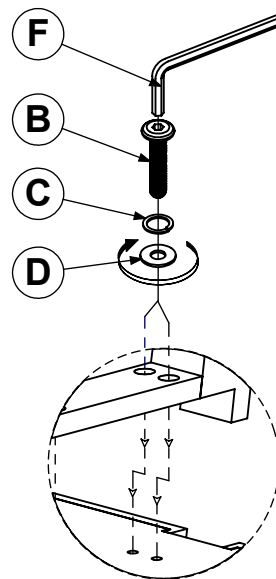
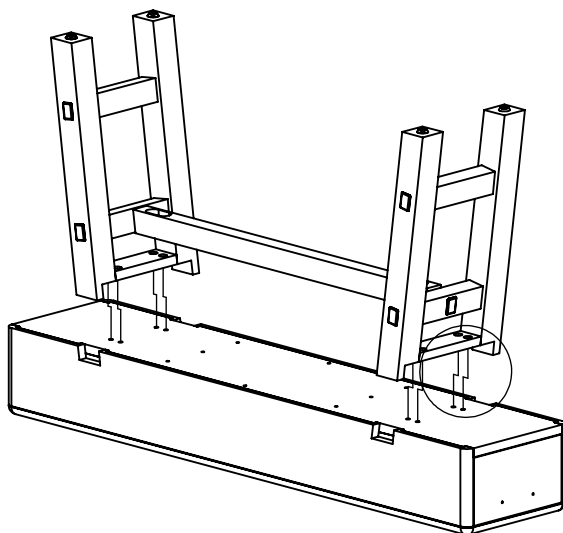
Read all instruction and study the drawing carefully before starting the assembly process:

HARDWARE PACK

NO	DRAWING	DESCRIPTION	SIZE	Q'TY
A		BOLT	$\varnothing \frac{5}{16}'' \times 2 \frac{3}{8}''$	2 pcs
B		BOLT	$\varnothing \frac{5}{16}'' \times 1 \frac{3}{8}''$	8 pcs
C		LOCK WASHER	$\varnothing \frac{5}{16}''$	10 pcs
D		FLAT WASHER	$\varnothing \frac{5}{16}'' \times \frac{3}{4}''$	10 pcs
E		HALFMOON WASHER	$\varnothing \frac{5}{16}''$	2 pcs
F		ALLEN KEY	$\frac{5}{32}''$	1 pc

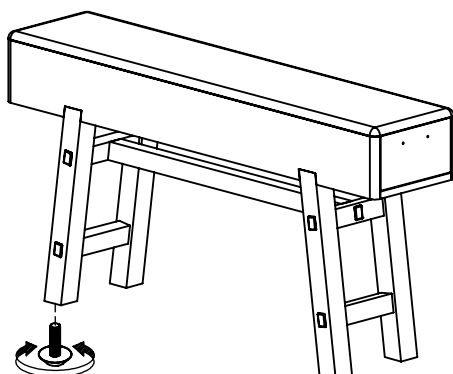


Step 1



100%
(Tighten 100% all Bolt)

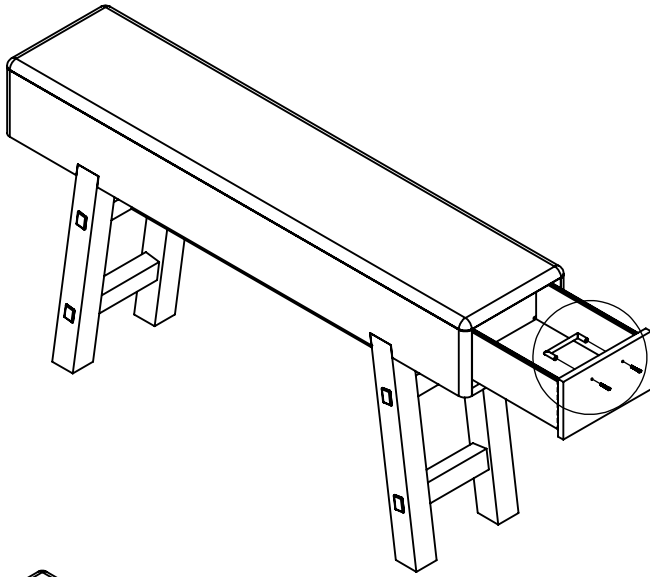
Step 3



Adjust levelers if needed, to the level case on uneven floor

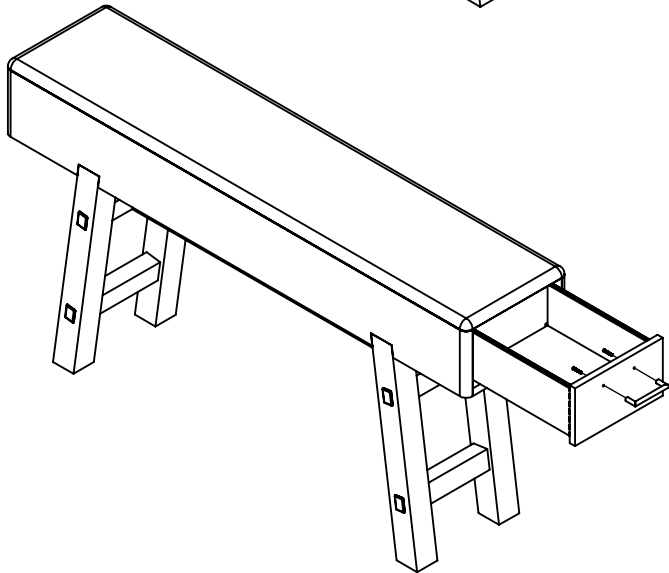
HARDWARE PACK

NO	DRAWING	DESCRIPTION	SIZE	Q'TY
G		ANTI-TIP KIT		1 set



Step 1

screwdriver
(not Provided)



Step 2

screwdriver
(not Provided)

