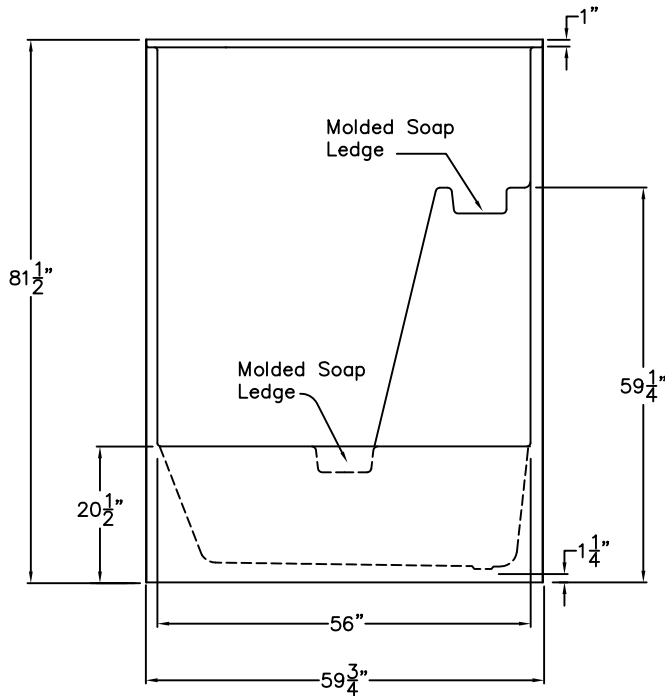


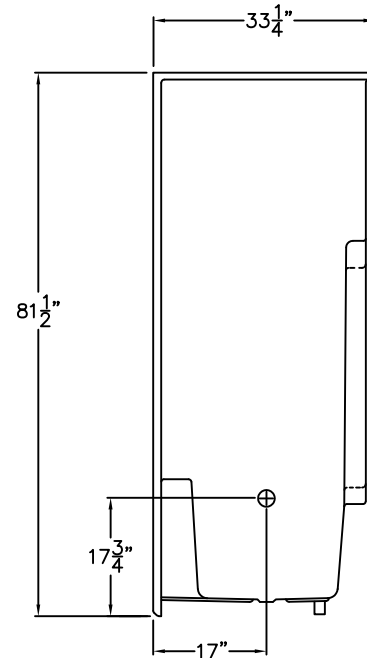
# Luxury Gelcoat Series

## SUBMITTAL DATA

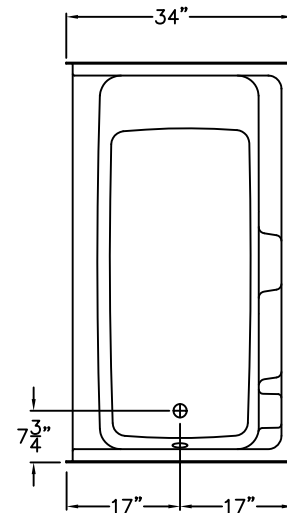
FRONT VIEW



SIDE VIEW



TOP VIEW



### Gelcoat 60" Tub/Shower

This tub/shower enclosure shall be Praxis Model TS 196 tub shower right drain. It shall meet CSA B45.5-11, Home Innovation Research Lab, IAPMOZ124-2011, shall have the backside fire rating of "A" and a flame spread of less than 25. Unit has molded soap ledges on the back wall.

Optional acrylic towel bar is available.

DUE TO THE NATURE OF THE MATERIALS INVOLVED, UNIT DIMENSIONS MAY VARY ± 1/2 INCH.

Job Name:		<b>PRAXIS</b>	
Approved By Print Name:		Drawing#: TS 196 RH Tub Shower	
Approved By Signature:	Date Approved:	Date: 7-17-96	Revised: 6-4-14
Rep.:	Wholesaler:	Quote No.:	

PRAXIS INDUSTRIES, LLC.  
 435 INDUSTRIAL RD - SAVANNAH, TN 38372  
 1 (800) 443-7269 - FAX (731) 925-4290