

**BOSS**<sup>®</sup>  
AUDIO SYSTEMS

 **Bluetooth**<sup>®</sup>

**MC420B** USER'S MANUAL  
BLUETOOTH<sup>®</sup> | 3" (76 mm) WEATHER RATED  
SPEAKER AND AMPLIFIER SYSTEM



## **MC420B Motorcycle/UTV Amplified Speaker System**

Congratulations on your purchase of a BOSS Audio Systems amplified speaker system. It has been designed, engineered and manufactured to bring you the highest level of performance and quality, for years of listening pleasure.

Thank you for making BOSS AUDIO SYSTEMS your choice for entertainment!



# MC420B Motorcycle/UTV Amplified Speaker System

## Contents

Amplifier .....	1 PC
High-Performance, Weatherproof Speakers .....	2 PCS
Amplifier Mounting Screws .....	4 PCS
Speaker Clamp Mounting Hardware .....	2 SETS
Rubber Mounting Shims .....	4 PCS
Fuse .....	1 PC
User's manual .....	1 PC

## Features

Aux-In (3.5mm)

Speaker Clamp Mounts

Weatherproof Volume Control

High-Impact, High Temperature Speaker Enclosures

Weatherproof Speakers

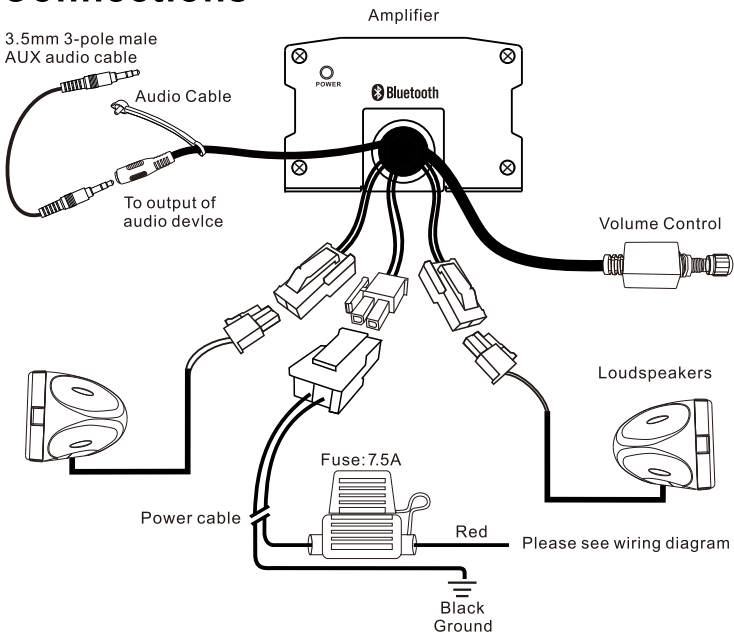
Bluetooth Audio Streaming

# MC420B Motorcycle/UTV Amplified Speaker System

## Wiring

1. Be sure to run the wiring securely and far away from any moving components.
2. Connecting the power cable to the power source: You will need to connect the 12V red wire to a (fused 7.5A) switched power source.
3. Use the 3.5mm stereo jack to connect to your entertainment source (MP3 player, etc).
4. Use your player device and wired remote volume controller to control your level of loudness.

## Connections





## Power Supply Connection

### Option A

Connected to Battery through a

12 VDC SPDT Relay

(Single Pole Double Throw)

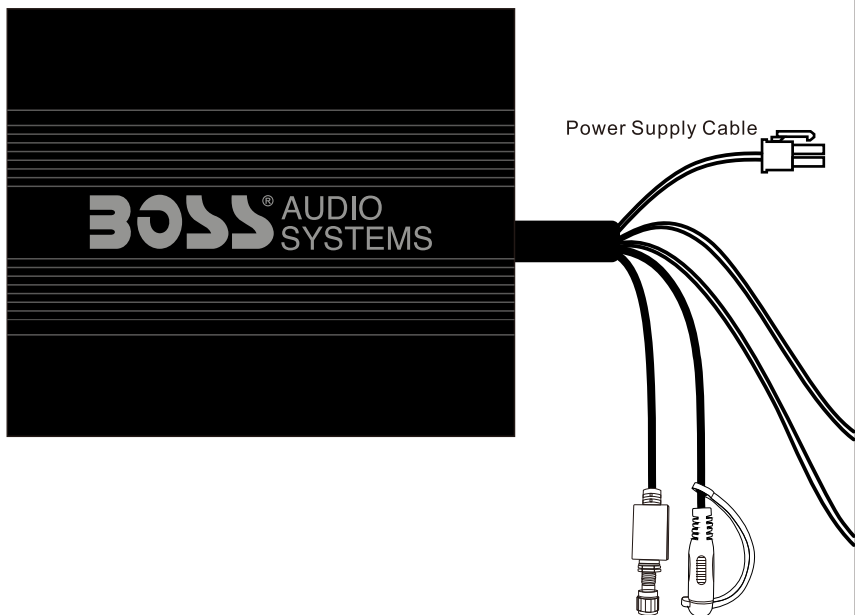
**NOT INCLUDED, SOLD SEPARATELY**

### Option B

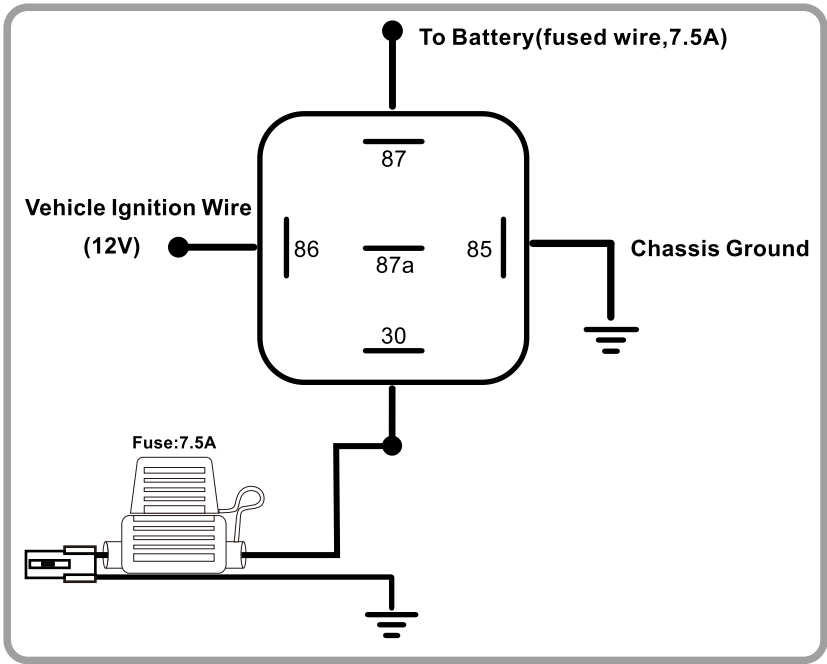
Connected to Battery through a

Waterproof Switch (250V AC/6A)

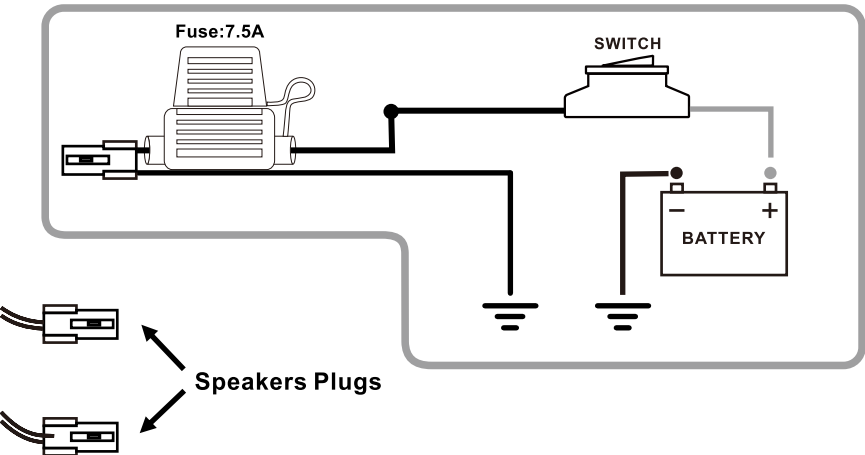
**NOT INCLUDED, SOLD SEPARATELY**



## Option A (Relay)



## Option B (Switch)



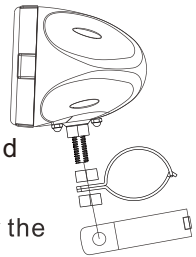
# MC420B Motorcycle/UTV Amplified Speaker System

## Installation Precautions

The components and wiring should not be installed around any moving parts, keep away from ignition parts, fuel lines, or any hot exhaust. Speakers should not be installed where they might inhibit safety features on the vehicle (i.e. lights, horns, brake levers, etc.). To ensure safety of the mounted speakers, always check the mounting conditions (e.g. the bolt tightness and no clamp damage) of the speakers before each vehicle ride.

## Installation

1. Screw the clamps to the bottom of the speakers.
2. Find a safe, ideal mounting location and fit the clamps over the chosen mounting bars. Remember to attach the supplied rubber shims to fill the gap for secure clamping and abrasion prevention.
3. Fasten the mounting screws after you review the safety of the mounting location.



## Bluetooth

To pair and connect your Bluetooth device to the MC420B Enter Settings > Bluetooth Menu > Search > “Boss Audio MC420B” >If Prompted to enter a passcode enter : “0000”.

## AUX Audio Operation

1. AUX 3.5 female input connector for output of other audio device like mobile phone, MP3, iPod and so on.
2. Should use standard 3.5mm 3-pole male plug AUX cable (not included).
3. Stop BT connection first when using the 3.5mm AUX input as an audio source input.

# MC420B Motorcycle/UTV Amplified Speaker System

## Specifications

Operation Voltage .....	10 ~ 16 V
Total Harmonic Distortion .....	< 0.1%
Signal-to-Noise .....	> 85 dB
Channel Separation .....	>50 dB
Frequency Response .....	50Hz - 15KHz
Sensitivity .....	>130mv
Speaker Wires .....	4.6'
Volume Control Wire .....	6.2'
Audio Input Cable .....	1.9'
Power Cable .....	6.2'
Clamp Size Range .....	0.75" ~1.25"
Fuse Rating .....	7.5A
Amplifier dimensions .....	3.6"x2.3"x1.5"



# **MC420B Motorcycle/UTV Amplified Speaker System**

## **NOTES**

---

---

---

---

---

---

---

---

---

---

---

---

---

---

---

---

---

---

---

---

---

---

---

**BOSS**<sup>®</sup>  
**AUDIO SYSTEMS**



BOSS Audio Systems  
3451 Lunar Court • Oxnard, CA 93030  
[www.bosssaudio.com](http://www.bosssaudio.com)  
**805-751-4853 Customer Service**  
Tech Support: [www.bosssaudio.com/support](http://www.bosssaudio.com/support)



0621

The Bluetooth® word mark and logos are registered trademarks owned by Bluetooth SIG, Inc. and any use of such marks by BOSS Audio Systems is under license. Other trademarks and trade names are those of their respective owners.