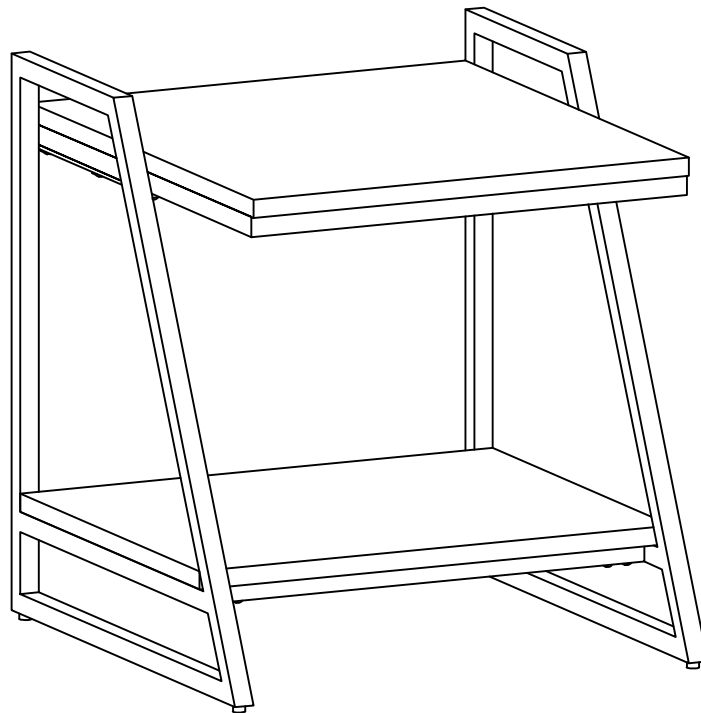


# BRAXTON / ELLERY / HOLT

---

## END TABLE

MODEL # AXCBXT - 03





## Questions, problems, assembly help, missing parts?

No need to return the product, we will gladly help and ship  
your replacement parts free of charge

Please call Customer Service at 1-866-518-0120 ext. 262

Monday to Friday between 9 am – 4 pm EST  
or go to

[www.simpli-home.com/parts request](http://www.simpli-home.com/parts request)

In order to assist you in a timely manner, please have the following information ready:

Model # \_\_\_\_\_ Part Number or Letter \_\_\_\_\_

Purchased at \_\_\_\_\_ Date of Purchase \_\_\_\_\_

If you wish to return the product, please contact the retailer where the  
product was purchased.

**IMPORTANT :** for Please read this manual carefully before beginning assembly of this product. keep this manual for future reference.

## SAFETY INFORMATION

Identify all the parts and hardware. Do not discard of the packaging until you have checked that you have all of the parts and hardware required. hardware package may have spare parts.

**WARNING:** This item contains small parts which can be swallowed by children and pets. keep children and pets away during assembly. to avoid danger of suffocation, always keep plastic bags away from children and pets. We recommend that you assemble this unit on a carpeted floor to avoid scratches. If using power tools, set the tool to low torque to avoid damage.

**May require 2 people for ease of assembly.**

**IMPORTANT** : Please read this manual carefully before beginning assembly of this product. Keep this manual for future reference.

## CARE and MAINTENANCE

**This furniture is designed for indoor use.**

Damage to furniture can come from temperature changes in relative humidity (RH) in our homes. Humid air oxidizes metal which results in rusting, corrosion, tarnishing and roughness. Wood absorbs water as relative humidity rises and falls, and in doing so it swells and shrinks.

To protect against the humidity effect, the metal is powder coated. The powder coat layer protects the metal from oxidizing, corrosion, tarnishing and scratching and keeps it looking good for years to come. The wood is sealed and lacquered to protect against humidity.

**To help protect your furniture, follow these steps:**

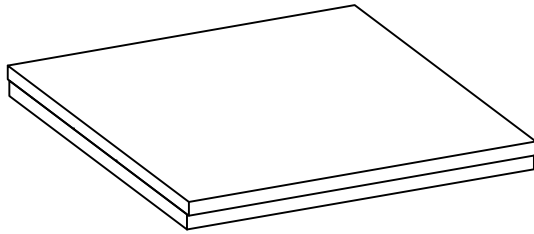
- Use a humidifier, preferably one with an automatic control system that can sense the humidity level and adjust itself accordingly.
- Dust with soft dry cloth.
- Wipe up spills promptly. Clean with a dry cloth.
- Do not use abrasive cleaners, chemical solvents, strong detergents, cleaners with bleach, and furniture polish.
- Use soft felt base coasters, placemats to help prevent scratches.
- Keep furniture out of direct sunlight, which can cause cracking or roughness on the protective layer.
- If it can be avoided, do not put furniture near heating vents. Keep the furniture 3 to 4 inches away from the wall, giving heat and air space to circulate.

**PRE-ASSEMBLY INFORMATION**

**MODEL # AXCBXT - 03**

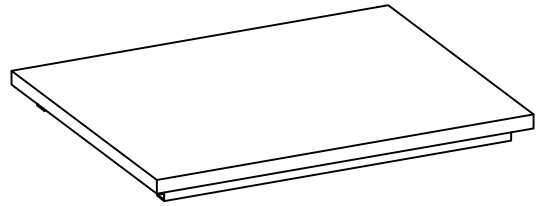
**PARTS DESCRIPTION**

**A**



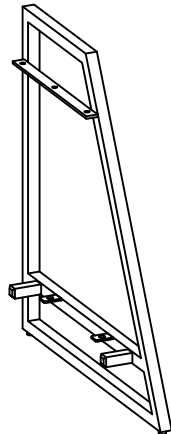
TOP  
QTY 1

**B**



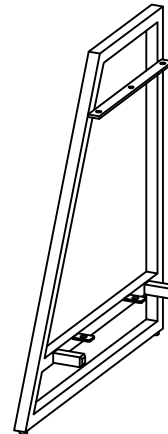
BOTTOM  
QTY 1

**C**



RIGHT LEG  
QTY 1

**D**



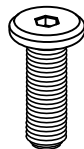
LEFT LEG  
QTY 1

**PRE-ASSEMBLY INFORMATION**

**MODEL # AXCBXT - 03**

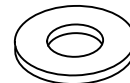
**HARDWARE DESCRIPTION**

**1**



ALLEN KEY BOLT  
M6 X 15 mm  
QTY 18

**2**



WASHER  
Ø 16 / Ø 6.5 X 1.5 mm  
QTY 18

**3**



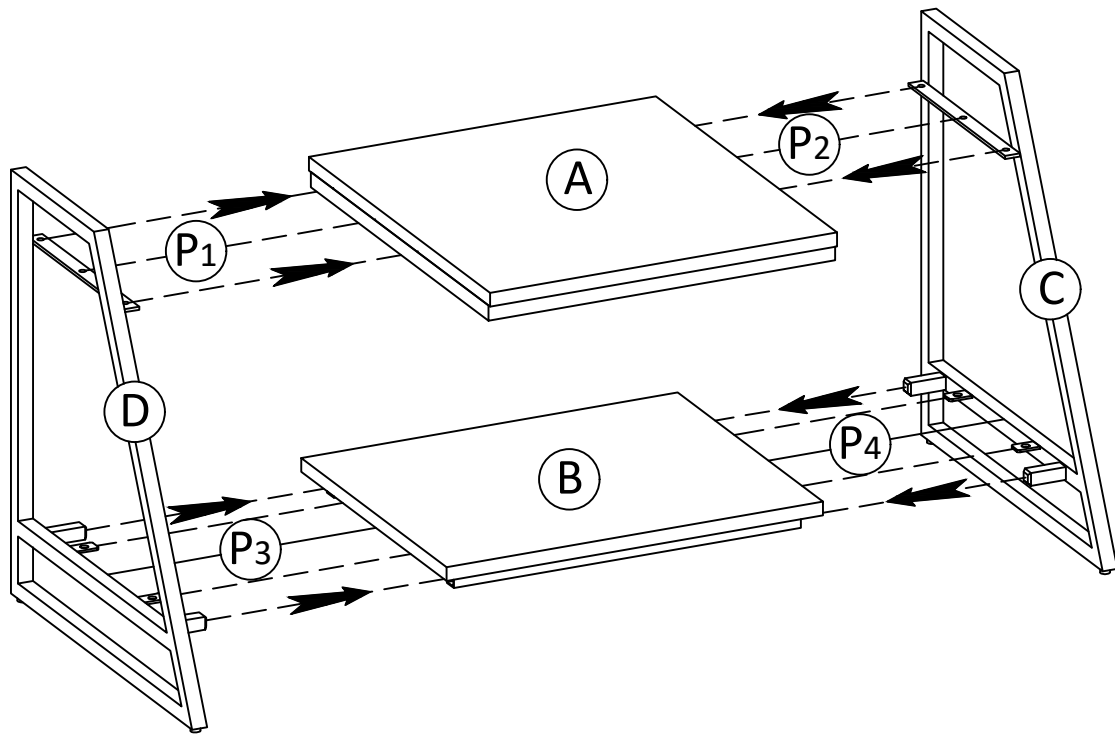
LOCK WASHER  
Ø 12 / Ø 6.5 X 1.5 mm  
QTY 18

**4**

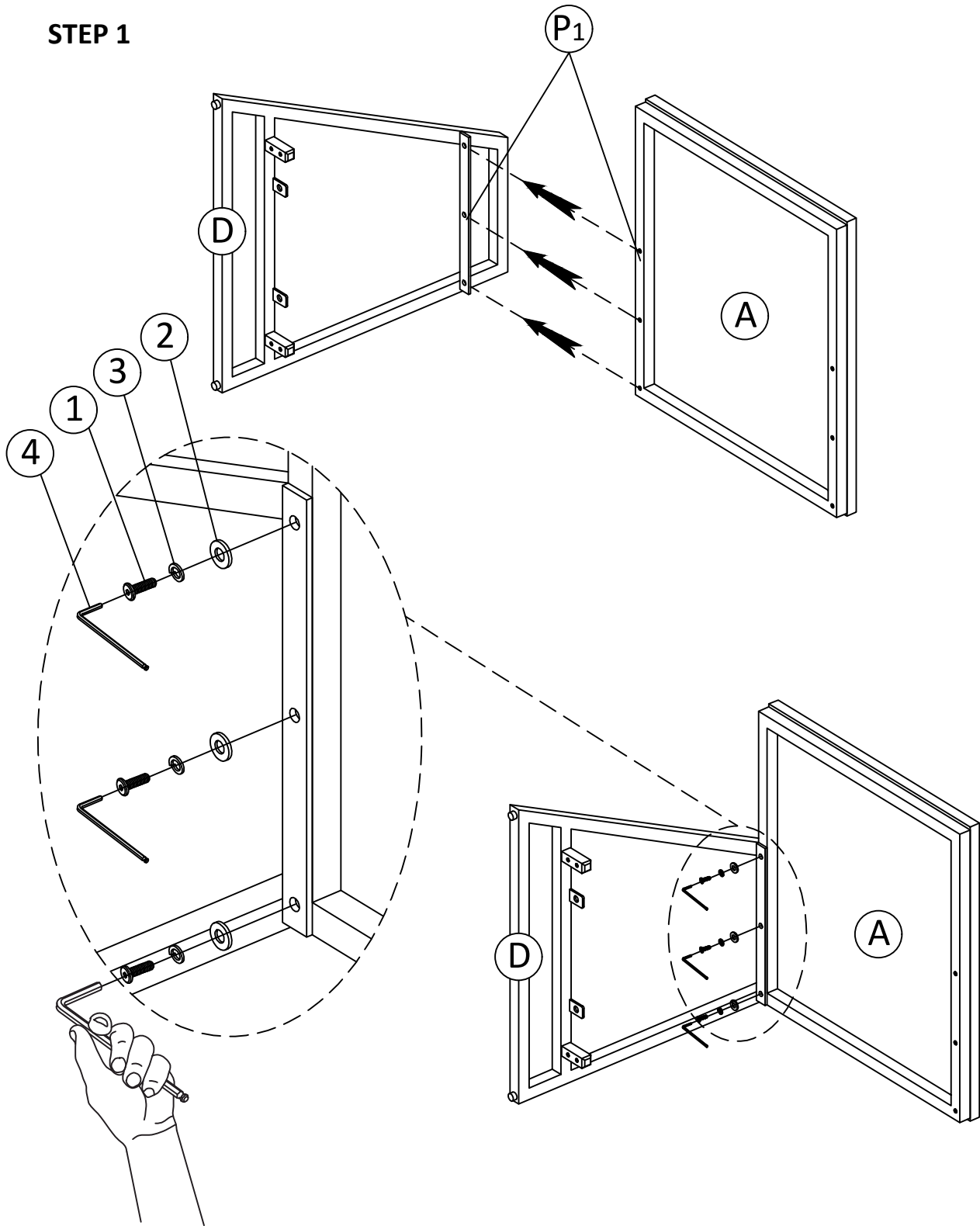


ALLEN KEY  
QTY 1

**NEED HELP?** for help with assembly or if you are missing a part,  
Please call customer service at 1-866-518-0120 ext. 262 (9 am to 4 pm est)

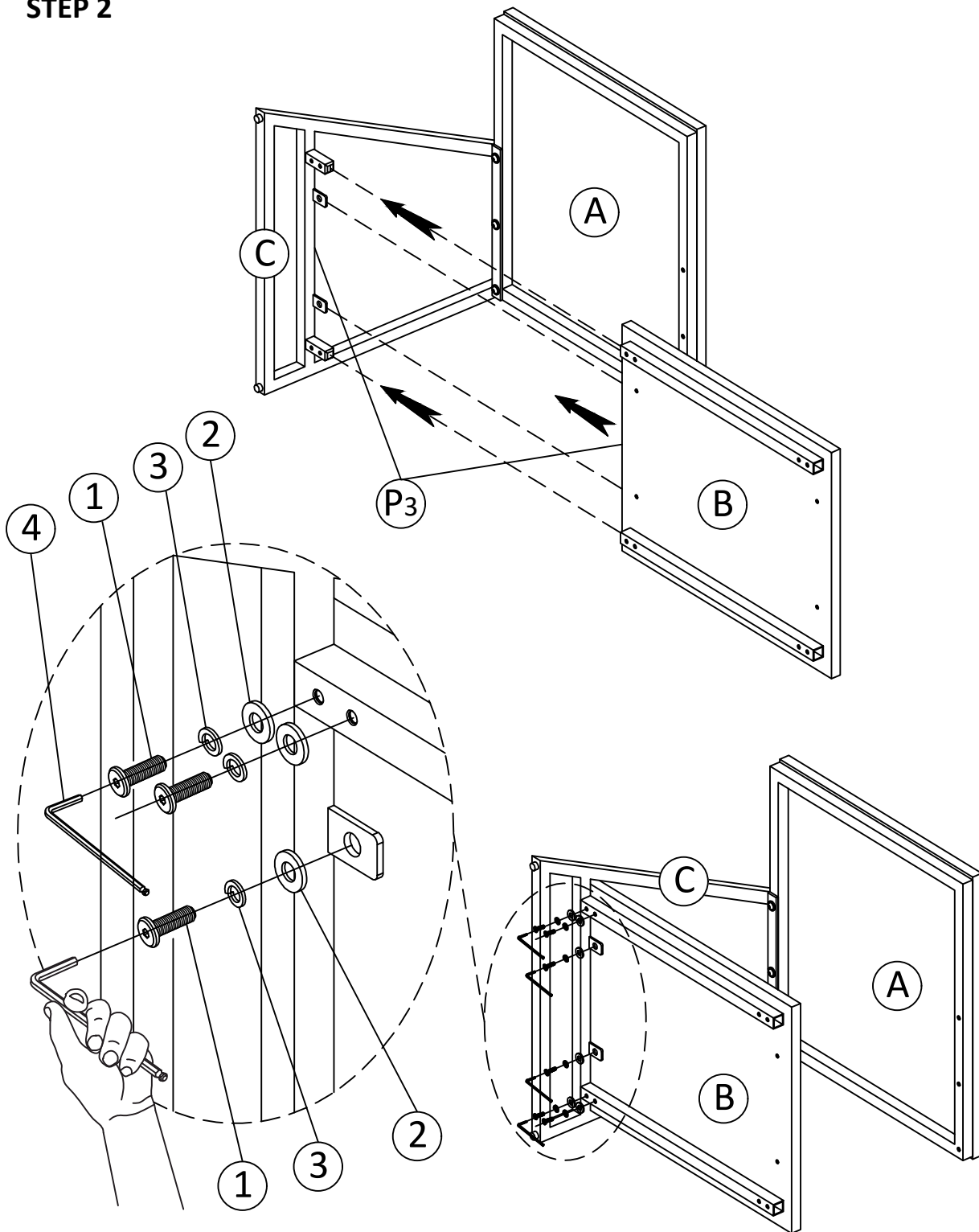


STEP 1



1. Align Left Leg (D) to Top (A) by matching the letters (P<sub>1</sub>) to (P<sub>1</sub>).
2. Use three Allen Key Bolts (1), three Lock Washers (3) and three Washers (2) to attach Top (A) and Left Leg (D).
3. Use Allen Key (4) to tighten Bolts. Do not over-tighten.

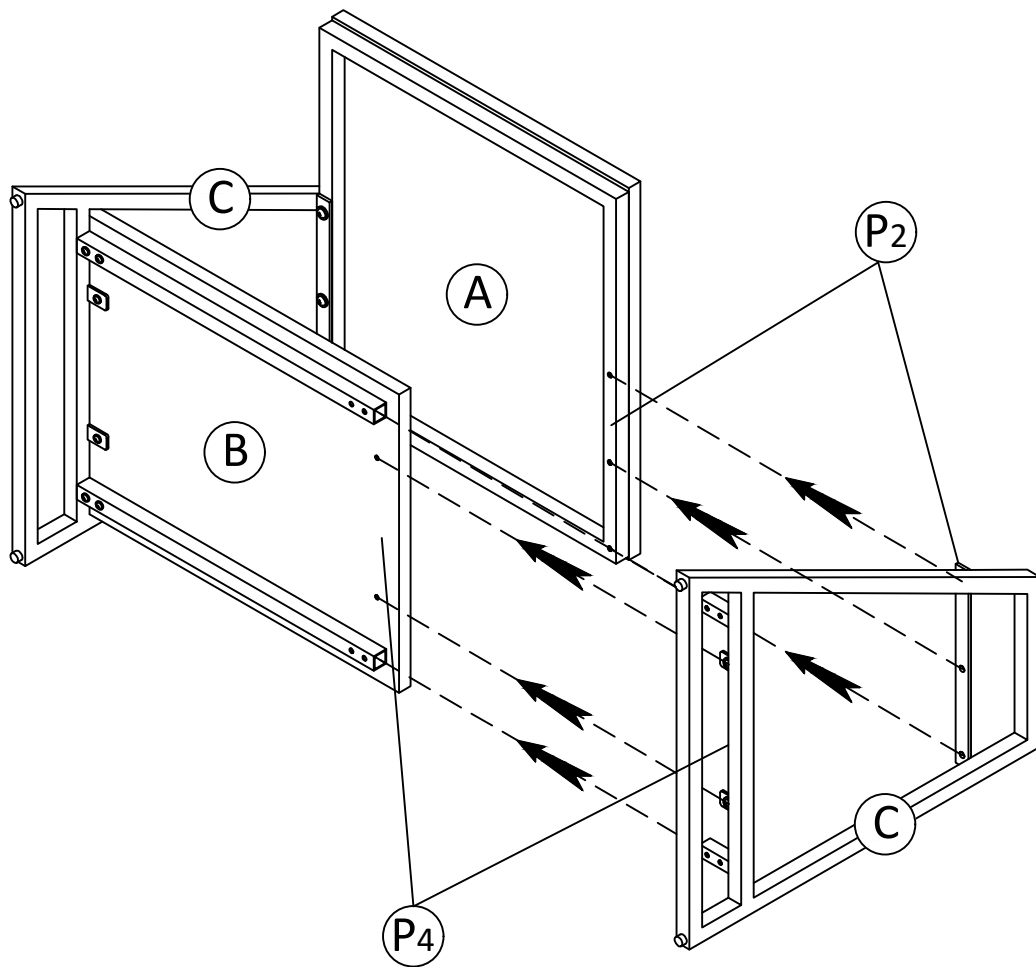
STEP 2



1. Align Leg (C) to Bottom Shelf (B) by matching the letters (P<sub>3</sub>) to (P<sub>3</sub>).
2. Use four Allen Key Bolts (1), four Lock Washers (3) and four Washers (2) to attach Bottom Shelf (B) and Leg (C) (front and back of Leg).
3. Use two Allen Key Bolts (1), two Washers (2) and two Lock Washers (3) to secure Bottom Shelf (B) and Leg (C) (middle of Leg).
4. Use Allen Key (4) to tighten Bolts. Do not over-tighten.

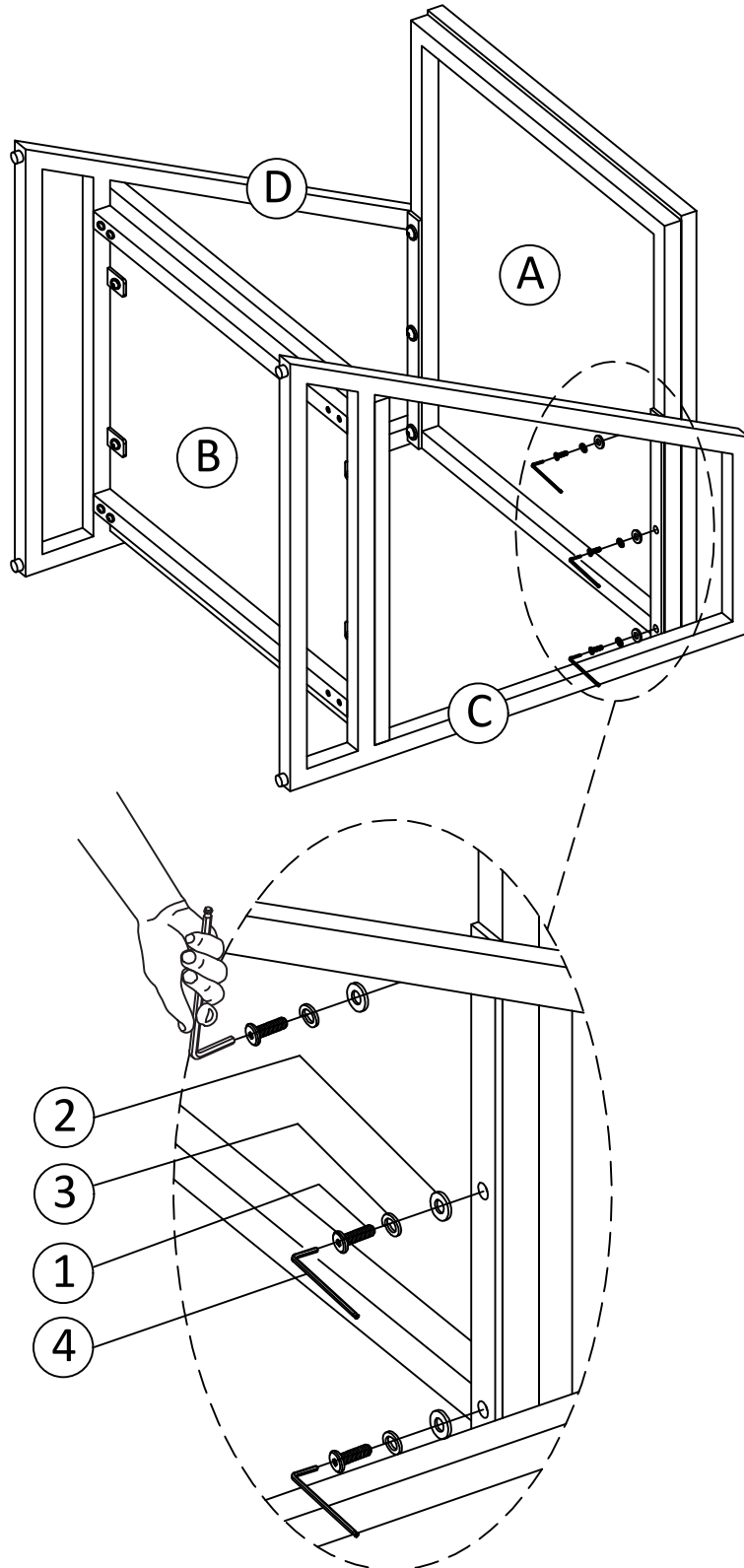


## STEP 3



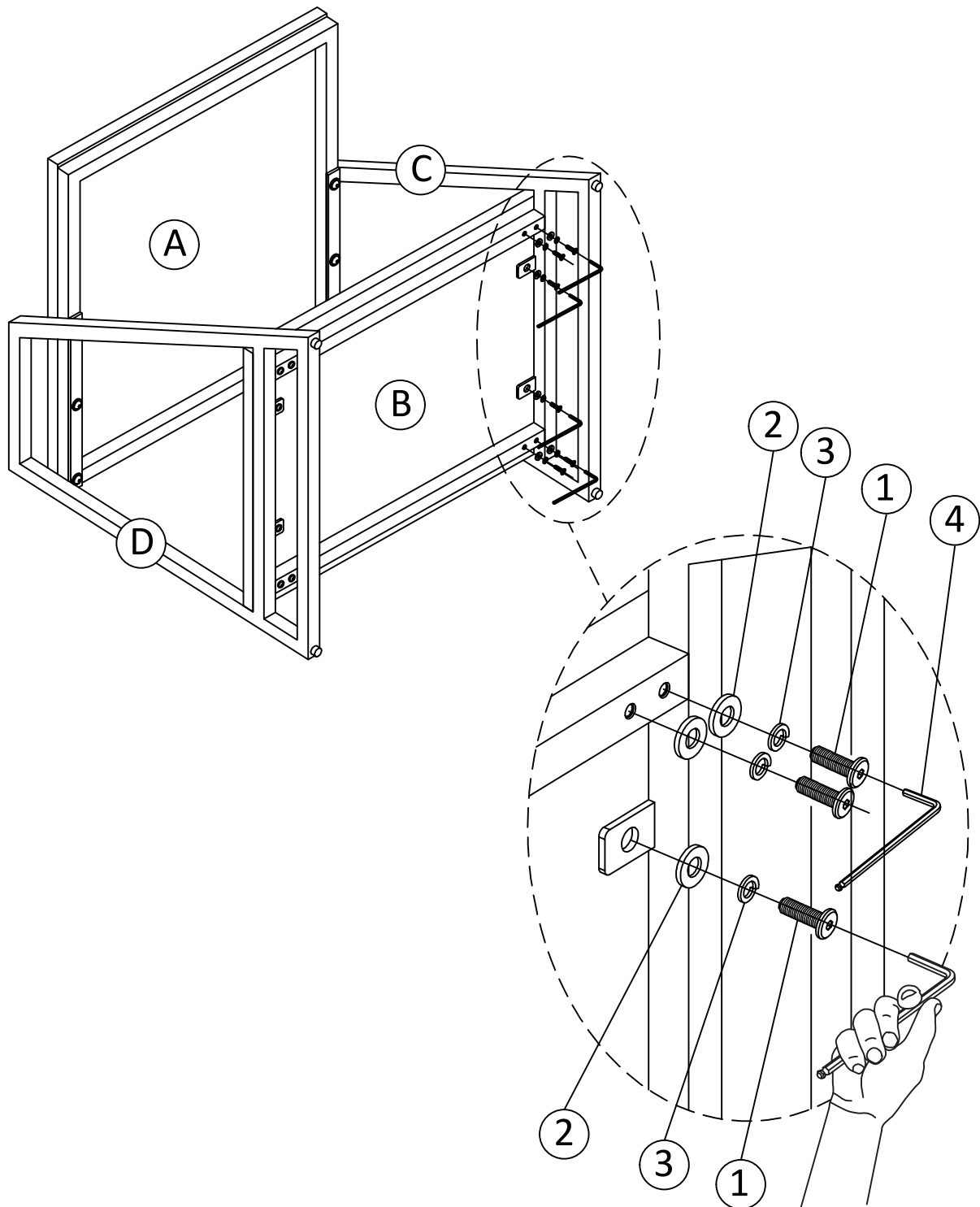
1. Align Right Leg (C) to Top (A) and Bottom Shelf (B) by matching the letters (P<sub>2</sub>) to (P<sub>2</sub>) and (P<sub>4</sub>) to (P<sub>4</sub>) .

STEP 4



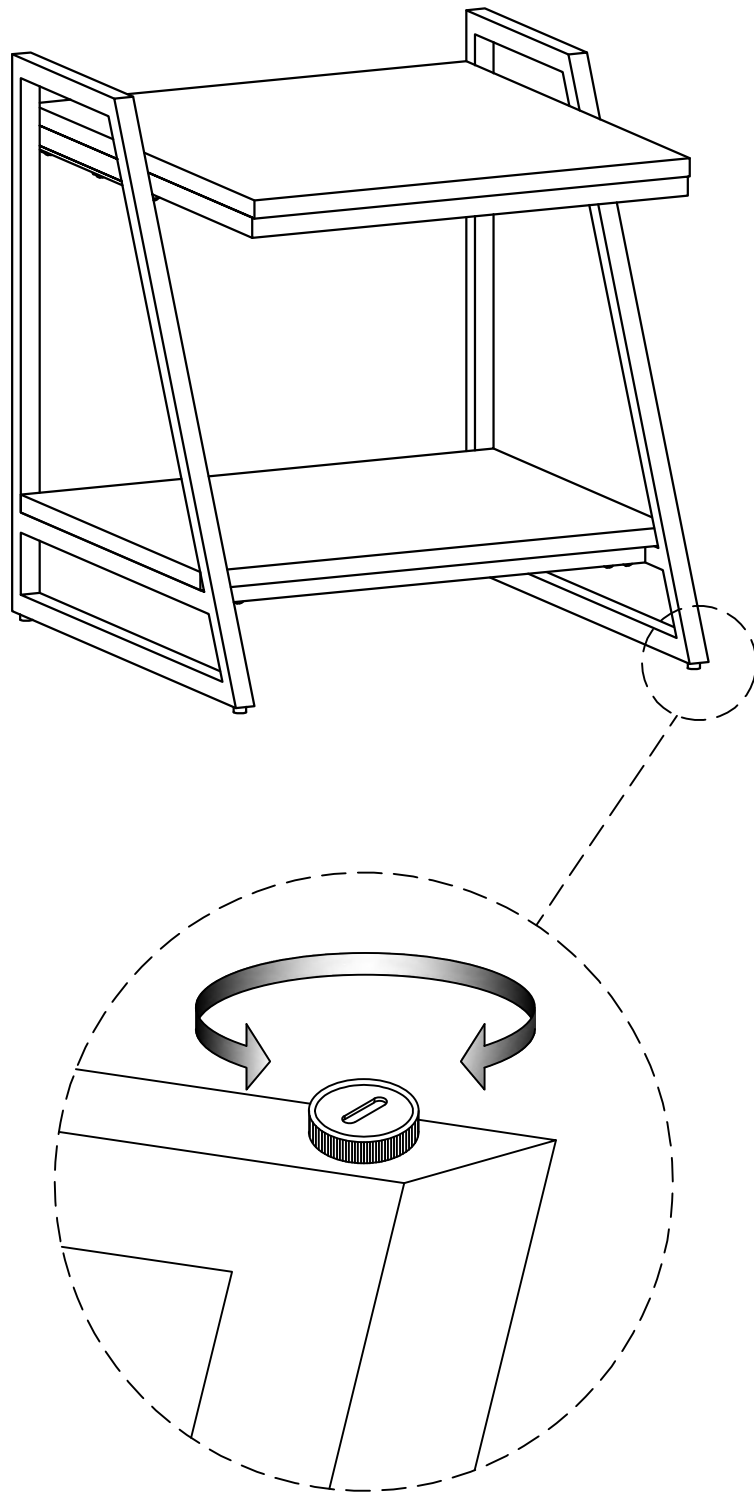
1. Use three Allen Key Bolts (1), three Lock Washers (3) and three Washers (2) to attach Top (A) and Right Leg (C).
2. Use Allen Key (4) to tighten Bolts. Do not over-tighten.

## STEP 5



1. Use four Allen Key Bolts ①, four Lock Washers ③ and four Washers ② to attach Bottom Shelf ② and Right Leg ③ (front and back of Leg).
2. Use two Allen Key Bolts ①, two Washers ② and two Lock Washers ③ to secure Bottom Shelf ② and Right Leg ③ (middle of Leg).
3. Use Allen Key ④ to tighten Bolts. Do not over-tighten.

STEP 6



**Note:** Levelers on bottom of legs can be adjusted if floor is uneven.



## WARRANTY

Thank you for purchasing a **Simpli Home – Wyndenhall – Brooklyn + Max** product. These products have been made to demanding, high-quality standards and are guaranteed for domestic use against manufacturing faults for a period of 12 months from the date of purchase. This warranty does not affect your statutory rights.

In case of any malfunction of your product (failure, missing parts, etc.) please contact us at our toll free service line at 1-866-518-0120 ext. 262 from 9 am to 4 pm, Monday to Friday, Eastern Standard Time or by email at [simpli-home.com/customer-support](http://simpli-home.com/customer-support).

We reserve the right to repair or replace the defective product, at its discretion.

This product is guaranteed for 12 months if used for normal purposes. Any warranty is invalid if the product has been overloaded or subject to neglect, improper use or an attempted repair by other than an authorized agent. Heavy-duty or daily professional/commercial usage are not guaranteed.

Due to continuous product improvement, we reserve the right to change the product specifications without prior notice.