



RIPON 14.5" LED CEILING LIGHT ASSEMBLY/INSTALLATION INSTRUCTIONS

ASSEMBLY AND INSTALLATION (CONT.)

Please read carefully and save these instructions, as you may need them at a later date.

CAUTION

WARNING: Risk of Fire. Min 75°C supply conductors. Consult a qualified electrician to ensure correct branch circuit conductor.

Turn off the main power at the circuit breaker before installing the fixture, in order to prevent possible shock.

GENERAL

All electrical connections must be in accordance with local and National Electrical Code (N.E.C.) standards. If you are unfamiliar with proper electrical wiring connections obtain the services of a qualified electrician.

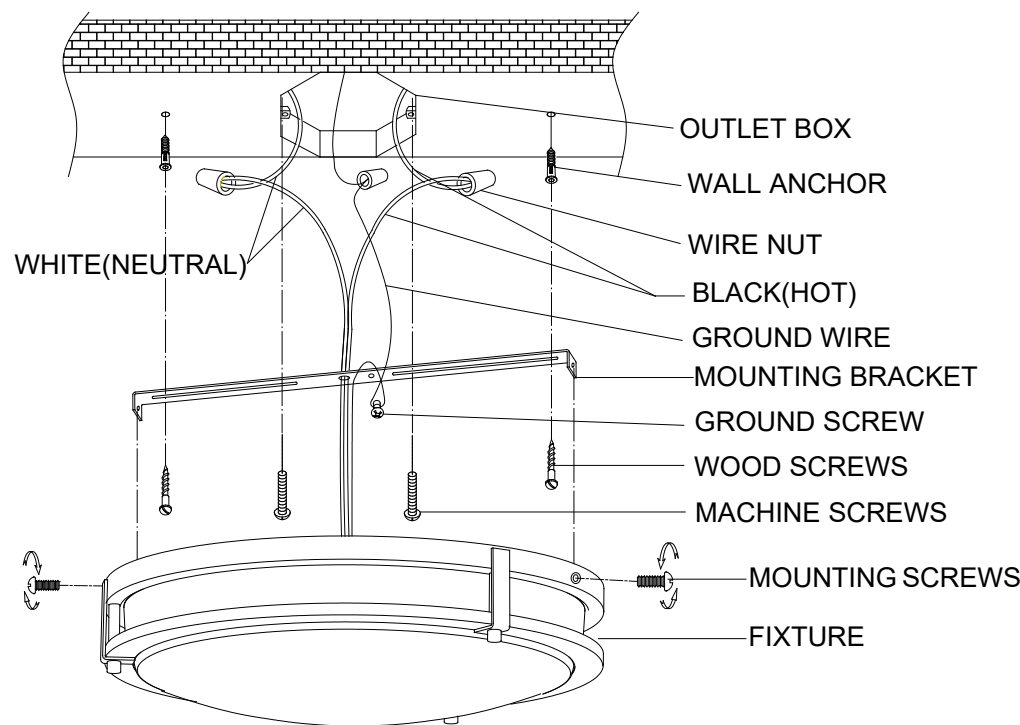
Remove the fixture and the mounting package from the box and make sure that no parts are missing by referencing the illustrations on the installation instructions.

ASSEMBLY AND INSTALLATION

Turn off the power at fuse or circuit breaker.

1. Gently take all parts out of the package, lay them on a smooth surface. Remove the MOUNTING SCREWS from the fixture. Attach the MOUNTING BRACKET to the OUTLET BOX using the MACHINE SCREWS. Secure MOUNTING BRACKET to OUTLET BOX with WOOD SCREWS and WALL ANCHORS.
2. Make wire connections with WIRE NUTS:
 - A - Connect the BLACK wire from Fixture to the black supply wire.
 - B - Connect the WHITE wire from Fixture to the white supply wire.
 - C - Attach the fixture GROUND WIRE to the MOUNTING BRACKET with the green GROUND SCREW. Then connect it to the supply ground wire with a WIRE NUT. Carefully tuck wires back into the OUTLET BOX.
3. Attach the FIXTURE to the MOUNTING BRACKET through as shown, and secure it with MOUNTING SCREW.

Turn on the power at fuse or circuit breaker.



578641
578641-BLK

**IF IN DOUBT ABOUT ELECTRICAL INSTALLATION,
CONSULT A LICENSED ELECTRICIAN.**

Customer Service 1-800-558-8700