

SINCE 1839

BRINLY

SINCE 1839

BRINLY

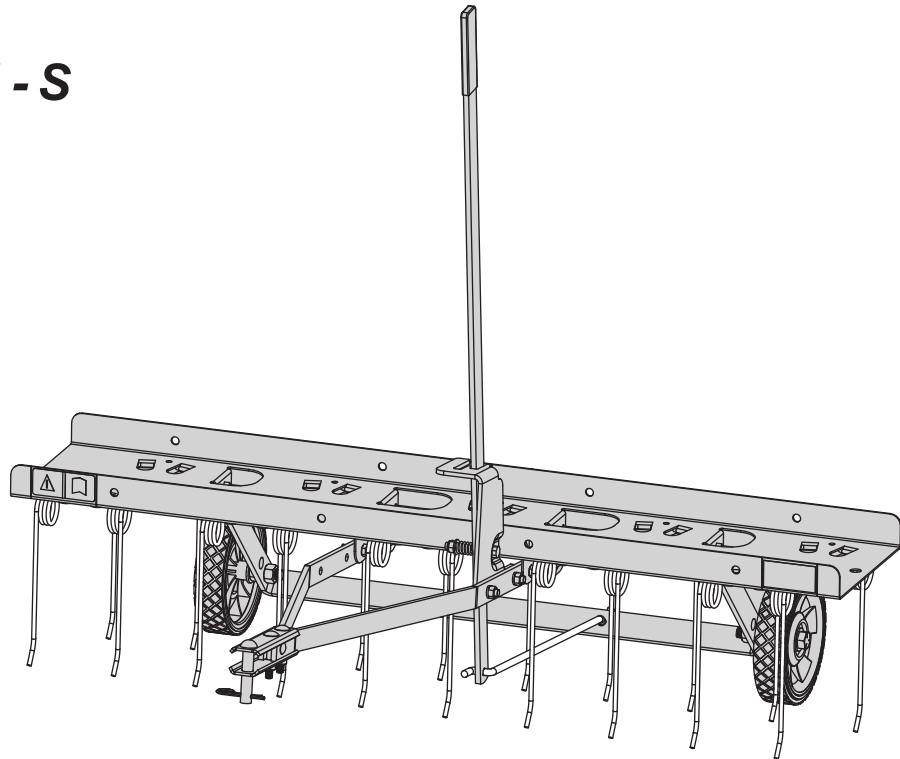
OWNER'S MANUAL

40" DETHATCHER

MODEL:

DT2-40BH1-S

- Assembly
- Installation
- Operation
- Repair Parts



Call Customer Service, Toll-Free: 877-728-8224

Visit us on the web!
www.brinly.com

Important: This manual contains information for the safety of persons and property. Read it carefully before assembly and operation of the equipment!

INTRODUCTION AND SAFETY

CONGRATULATIONS on the purchase of your new Brinly-Hardy Dethatcher! This accessory has been designed, engineered and manufactured to give you the best possible dependability and performance.

Should you experience any problem you cannot easily remedy, please do not hesitate to contact our knowledgeable customer service department toll-free at 1-877-728-8224. We have competent, well trained technicians to help you with the assembly and use of your Dethatcher.



CUSTOMER RESPONSIBILITIES

- Please read & retain this manual. The instructions will enable to assemble and maintain your product properly.
- Please carefully read and observe the SAFETY SECTION of this manual.
- Follow a regular schedule in maintaining and caring for your Brinly-Hardy product.

TABLE OF CONTENTS

SAFETY	2-4
HARDWARE IDENTIFIER	5
COMPONENT VIEW AND REFERENCE LIST	6-7
ASSEMBLY	8-15
OPERATION	16-20
ASSISTANCE	21
WARRANTY.....	22

RECORD PURCHASE INFORMATION

Record your purchase information in the spaces provided below:

Date of Purchase _____

Company Name _____

Company Phone _____

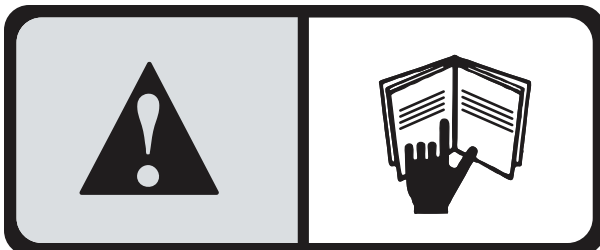
Serial Number _____

SAFETY



This symbol will help to point out important safety precautions throughout this manual. It means: **ATTENTION! BECOME ALERT! YOUR SAFETY IS INVOLVED.**

B-7063 (Not to scale)



The machine safety labels shown in this section are placed in important areas on your machine to draw attention to potential safety hazards.

On your machine safety labels, the words **DANGER**, **WARNING**, and **CAUTION** are used with this safety-alert symbol. **DANGER** identifies the most serious hazards.

The operator's manual also explains any potential safety hazards whenever necessary in special safety messages that are identified with the word, **CAUTION**, and the safety-alert symbol.

SAFETY

GENERAL NOTES (OPERATION)

Caution should be taken when towing and/or using any attachment. This attachment combined with the weight distribution, turning radius, and speed of towing vehicle can result in severe injury or death to operator, damage to towing vehicle, and/or attachment if not used properly. Follow all towing safety precautions noted in the towing vehicle owner's manual, including the following precautions:

- Ensure the combined weight of the towing vehicle (tow vehicle weight + operator weight) is greater than the maximum towed weight of attachment (empty attachment weight + weight of load).
- Do not exceed maximum towing capacity of towing vehicle.
- Do not exceed the maximum drawbar pull rating of the towing vehicle. Drawbar pull is the horizontal force required to pull the attachment (including weight of load).
- Only tow this product in the vehicle's tow mode/speed setting or less than 5 mph. Do not exceed 5 mph.
- Towing speed should always be slow enough to maintain control. Travel slowly and use caution when traveling over rough terrain. Avoid holes, rocks and roots.
- Slow down before you turn and do not turn sharply.
- Use wide turning angles to ensure the attachment follows the path of the towing vehicle.
- Do not use attachment on steep slopes. A heavy load could cause loss of control or overturn attachment and towing vehicle. Additional weights may need to be added to your vehicle; check with towing vehicle manufacturer for recommendations.
- Reduce towed weight when operating on slopes.
- Keep all movement on slopes slow and gradual. Do not make sudden changes in speed, directions, or turning.
- If you start and stop suddenly on hills, you may lose steering control or the towing vehicle may tip.
- Do not start or stop suddenly when going uphill or downhill. Avoid uphill starts.
- Slow down and use extra care on hillsides. Turf conditions can affect vehicle stability. Use extreme caution while operating near drop-offs.
- Do not drive close to creeks, ditches and public highways.
- Watch out for traffic when crossing near roadways.
- Use care when loading or unloading the vehicle into a trailer or truck.
- The attachment can obstruct the view to the rear. Use extra care when operating in reverse.
- When reversing, carefully back-up straight to avoid jackknifing. Do not allow towing vehicle wheels to contact attachment draw bar. Damage could result.
- Stop on level ground, disengage drives, set the parking brake, and shut off engine before leaving the operator's position for any reason including emptying the attachment.
- Use this attachment for intended purpose only.
- This attachment is intended for use in lawn care and home applications. Do not tow behind a vehicle on a highway or in any high speed applications.
- Do not tow at speeds higher than the maximum recommended towing speed.
- Do not tow this product behind a motor vehicle such as a car or truck.
- Always wear substantial footwear. Do not wear loose fitting clothing that can get caught in moving parts.
- Keep your eyes and mind on your towing vehicle, attachment and area being covered. Do not let other interests distract you.
- Stay alert for holes and other hidden hazards in the terrain
- Keep the towing vehicle and attachment in good operating condition and keep safety devices in place.
- The towing vehicle and attachment should be stopped and inspected for damage after striking a foreign object. Any damage should be repaired before restarting and operating the equipment.
- Keep all parts in good condition and properly installed. Fix damaged parts immediately. Replace worn or broken parts. Replace all worn or damaged safety and instruction decals. Keep all nuts, bolts and screws tight.
- Do not modify the attachment or safety devices. Unauthorized modifications to the towing vehicle or attachment may impair its function, safety and void the warranty.

TOWING VEHICLE AND TOWING SAFELY

- Know your towing vehicle controls and how to stop safely. READ YOUR TOWING VEHICLE OWNER'S MANUAL before operating.
- Check the towing vehicle brake action before you operate. Adjust or service brakes as necessary.
- Stopping distance increases with speed and weight of towed load. Travel slowly and allow extra time and distance to stop.

continues on page 4

HARDWARE IDENTIFIER

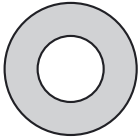
Illustrations on this page are to scale for faster identification of hardware during assembly.

DO NOT RETURN PRODUCT IF YOU ARE MISSING PARTS.

Please Call: 1 (877) 728-8224

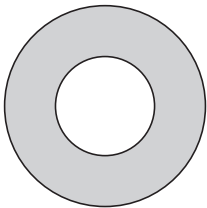
20

Washer: Flat
5/16" (x6)
45M1111P



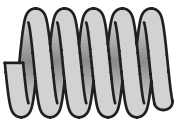
21

Washer: Flat
1/2" (x4)
1019756



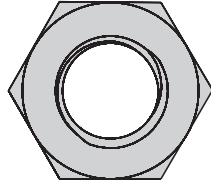
23

Spring (x1)
B-3805



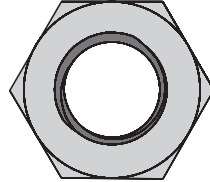
18

Nut: Hex
1/2" (x2)
30M1600P



19

Nut: Nylock
1/2" (x2)
B-5096Y



25

Nut: Nylock
1/4" (x1)
B-4785



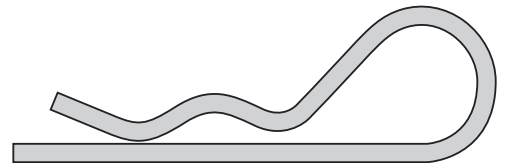
26

Nut: Nylock
5/16" (x12)
B-4786



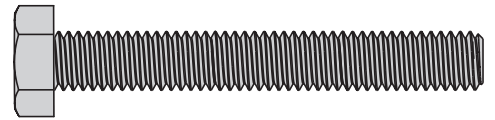
27

Hairpin Cotter (x1)
1019151



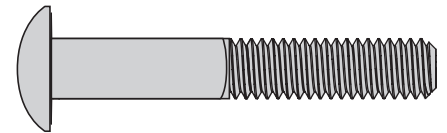
12

Bolt: Hex Head, 5/16 x 2 1/4" (x1)
2M1036P-FT



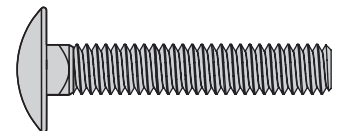
13

Bolt: Carriage, 5/16 x 2" (x2)
10M1032P



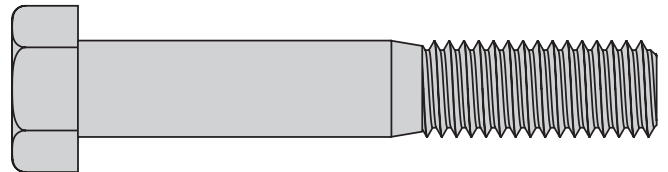
14

Bolt; Carriage, 1/4 x 1-1/2" (x1)
11M0824P



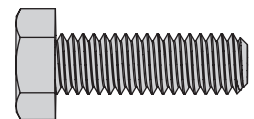
15

Bolt; Hex Head,
1/2" x 3" (x2)
1M1648P



16

Bolt; Hex Head, 5/16 x 1" (x8)
2M1016P

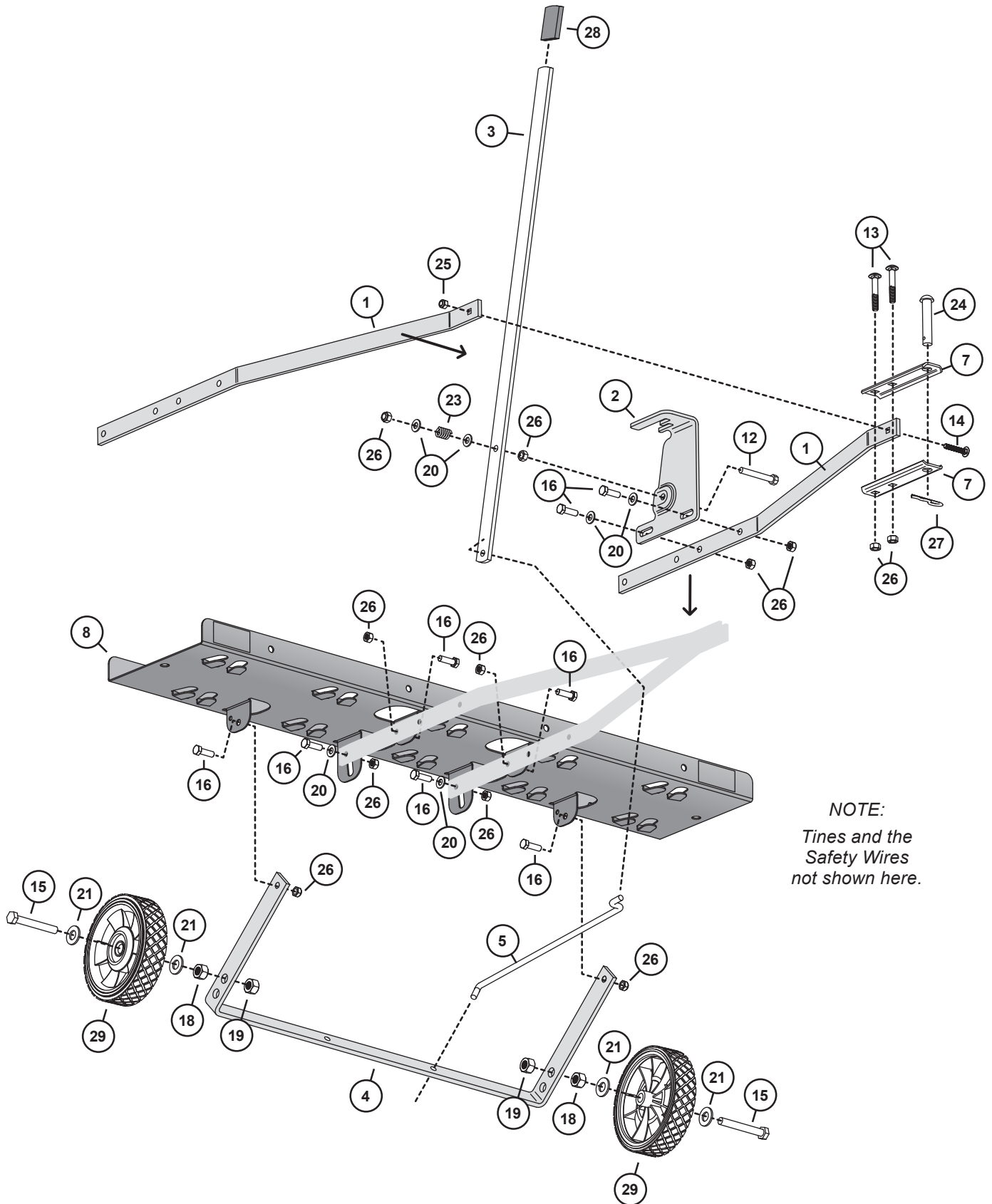


24

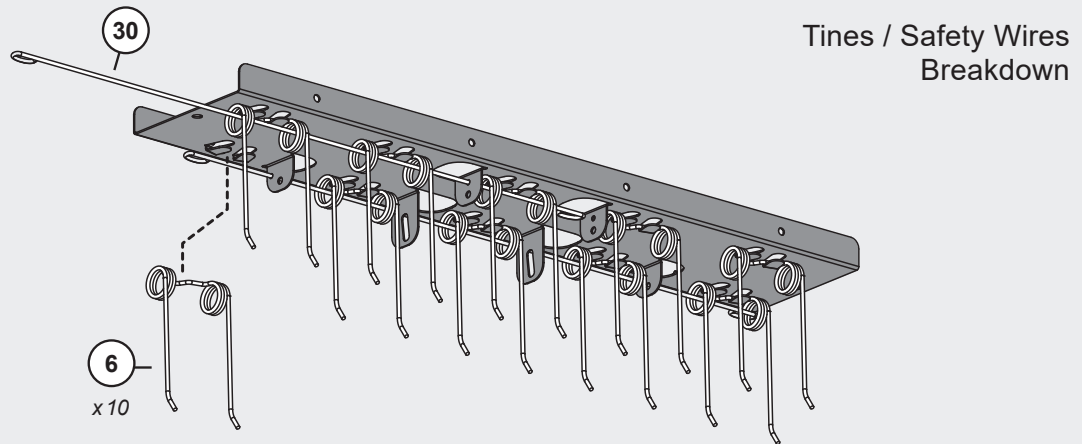
Drawbar Pin: 1/2" x 2 1/2" (x1)
B-3861



COMPONENT VIEW AND REFERENCE LIST



COMPONENT VIEW AND REFERENCE LIST



DT2-40BH1-S

HARDWARE PACK - Used during assembly:

Ref #	Part #	Description	Qty
1	1019212-06	Towbar	2
2	1019213-06	Lift Lock	1
3	1019209-06	Handle	1
4	1019214-06	Wheel Bracket	1
5	1008557	Control Rod	1
6	R-616	Tine	10
7	R-892-06	Clevis	2
8	1019417	Tray; <i>with Labels</i>	1
29	1008587	Wheel, 6" x 1.5"	2
30	R-1503	Safety Wire, 40"	2

1019104		SKIN PACK	1
12	2M1036P-FT	Bolt; Hex Hd., 5/16" x 2-1/4"	1
13	10M1032P	Bolt; Carriage, 5/16" x 2"	2
14	11M0824P	Bolt; Carriage, 1/4" x 1-1/2"	1
15	1M1648P	Bolt; Hex Hd., 1/2" x 3"	2
16	2M1016P	Bolt; Hex Hd., 5/16" x 1"	8
18	30M1600P	Nut, 1/2"	2
19	B-5096Y	Nut; Nylock, 1/2"	2
20	45M1111P	Washer; Flat, 5/16"	6
21	1019756	Washer; Flat, 1/2"	4
23	B-3805	Spring	1
24	B-3861	Hitch Pin, 1/2" x 2-1/2"	1
25	B-4785	Nut; Nylock, 1/4"	1
26	B-4786	Nut; Nylock, 5/16"	12
27	1019151	Hairpin; Cotter, 1/8"	1
28	1019103	Vinyl Grip	1



INSTALLATION QUESTIONS? MISSING PARTS? NEED REPLACEMENT PARTS?

DON'T GO BACK TO THE STORE!

Please call Customer Service Department Toll Free 877-728-8224 **OR** Email: customerservice@brinly.com

ASSEMBLY

Assembly Tips

This manual will be referencing panels of the **HARDWARE SKINPACK** included with your dethatcher.

Example: The hardware in panels needed are numbered and noted on the assembly steps.

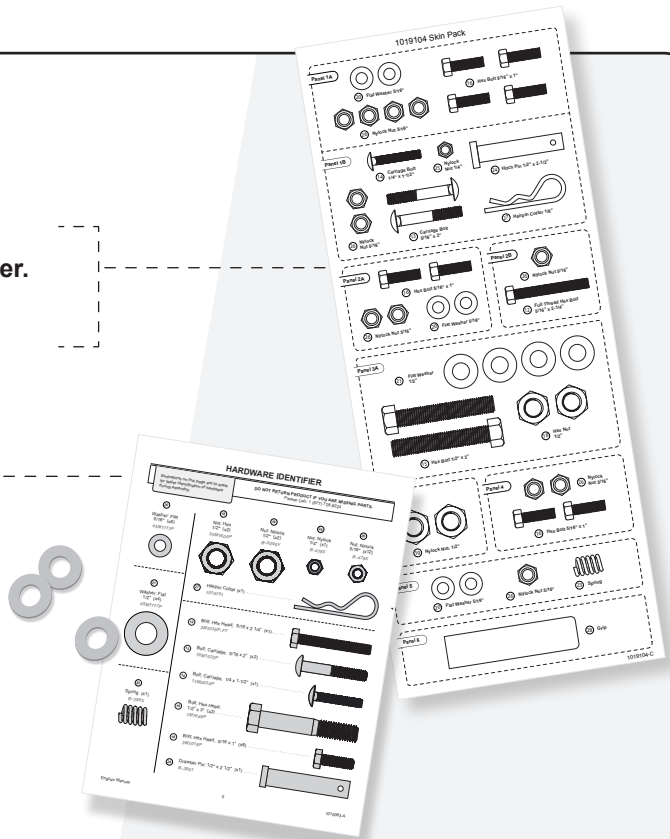
Also for fast identification of hardware during the assembly, illustrations on page 5 are to-scale.

Simply lay the hardware on top of these illustrations.



Additional info and videos are available on our website: **brinly.com**

This QR code links directly to the Dethatcher product page.



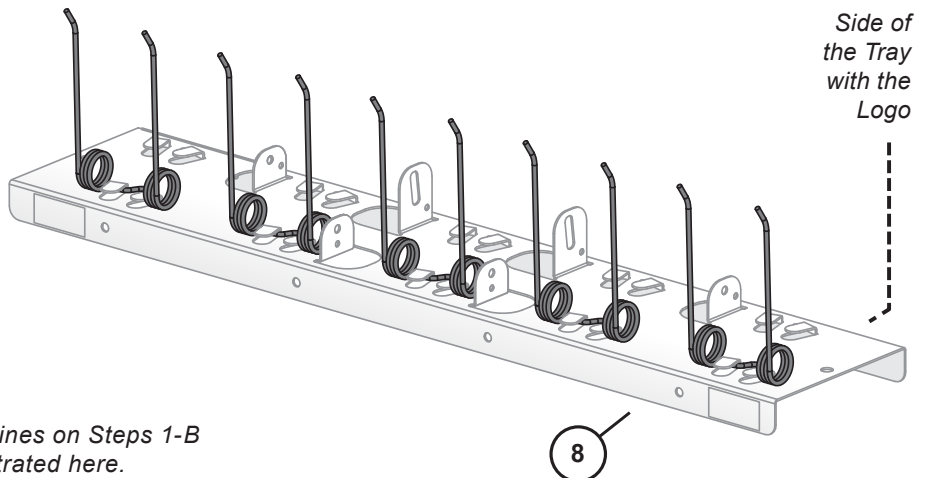
CAUTION: AVOID INJURY! Take care when handling Tray and Tine sub-assembly. Tine tips are sharp and can cause injury. Carefully remove Tray and Tine sub-assembly from the carton and lay flat on working surface with tines pointing up.

Step 1-A

Start the assembly with the tray (8) upside down, and logo side of the tray facing away, as illustrated here.

NOTE:

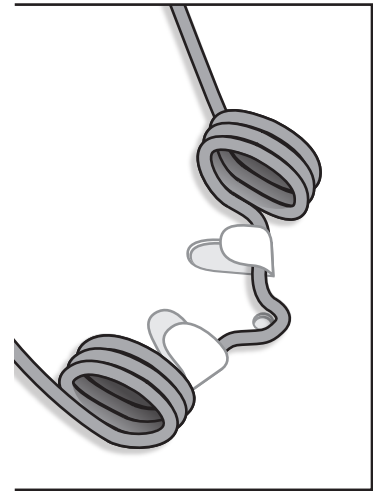
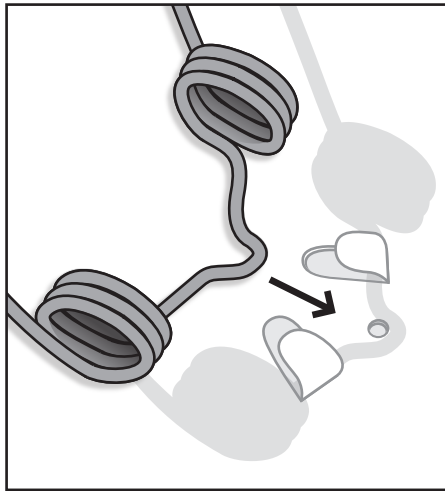
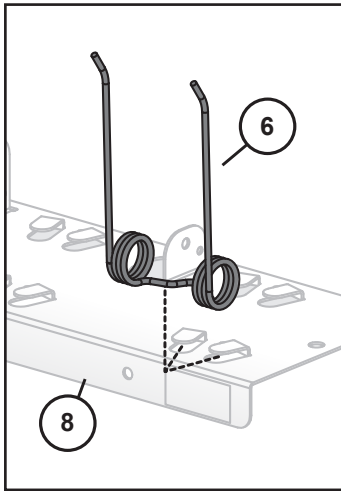
It will be MUCH easier to install the tines on Steps 1-B and 1-C by starting with the row illustrated here.



ASSEMBLY

Step 1-B

1. Slide a tine (1) beneath the tabs of the tray (8) as illustrated.

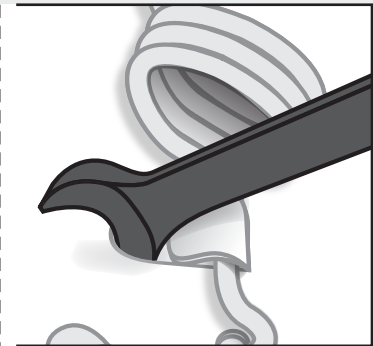
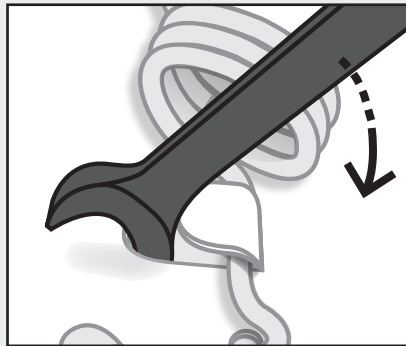


2. Insert a 1/2 in wrench (9/16 in. will also work) into the tine tray opening (8).

Using the tray for leverage, rotate the wrench toward the front of the tray.

NOTE: This will bend each tab of the tray, curling around the tine to pinch it in place.

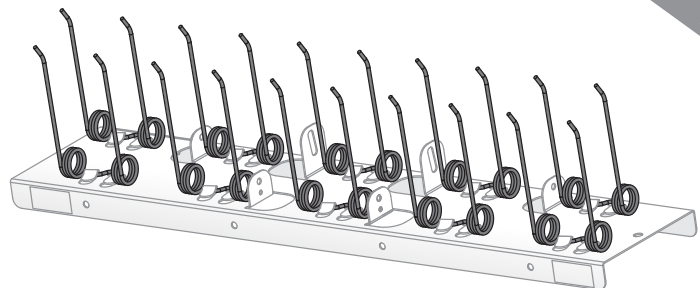
Do this for both tabs on each tine.



Step 1-C

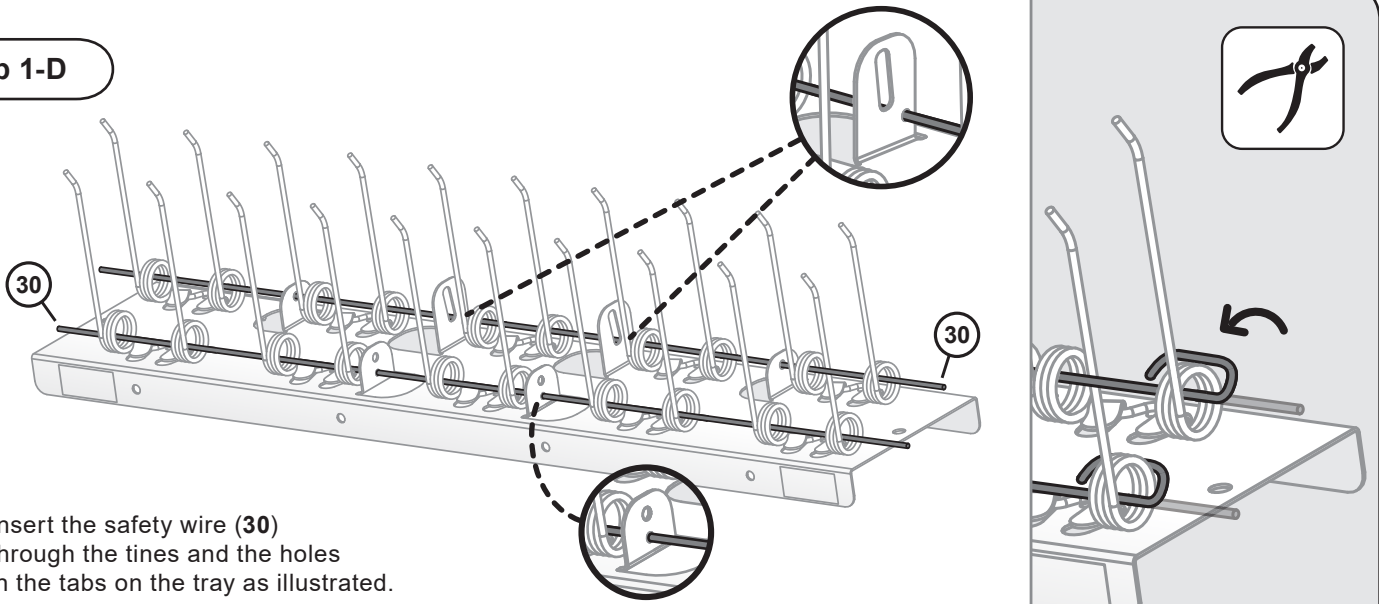
Repeat Step 1-B to add the remaining 9 tines.

NOTE: Start on the first row, as explained on step 1-A.



ASSEMBLY


Step 1-D



Insert the safety wire (30) through the tines and the holes in the tabs on the tray as illustrated.

Using a pair of pliers, bend and loop both ends of the safety wire back around the last tine.

Step 2-A

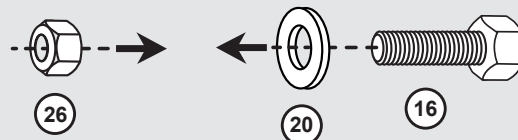
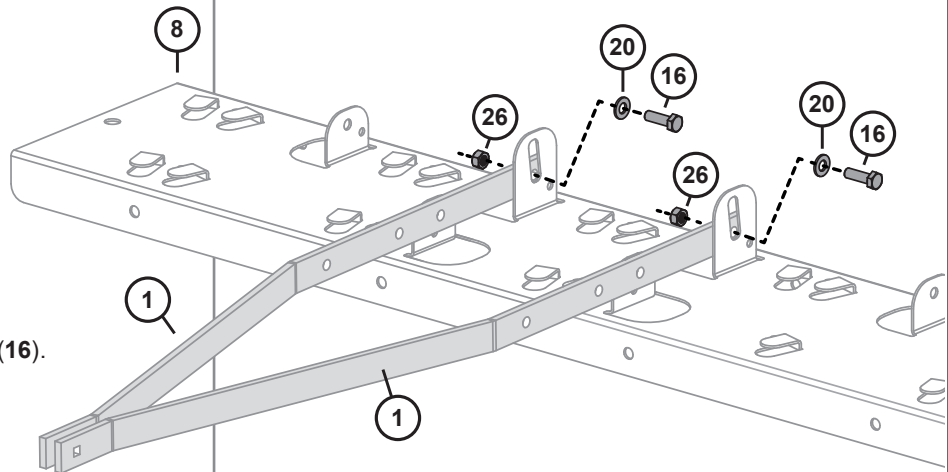
 Hardware Panel 1A

1. **Align the two Towbars (1) with the Tray (8) as illustrated.**

- Add a 5/16" Flat Washer (20) to two 5/16" x 1" Hex Head Bolts (16).

At the base of the towbars, run these bolts through from the side of the tray (8) extension.

Secure both bolts with 5/16" Nylock Nuts (26).



NOTE: The tines and safety wires are not shown here.

x2

ASSEMBLY

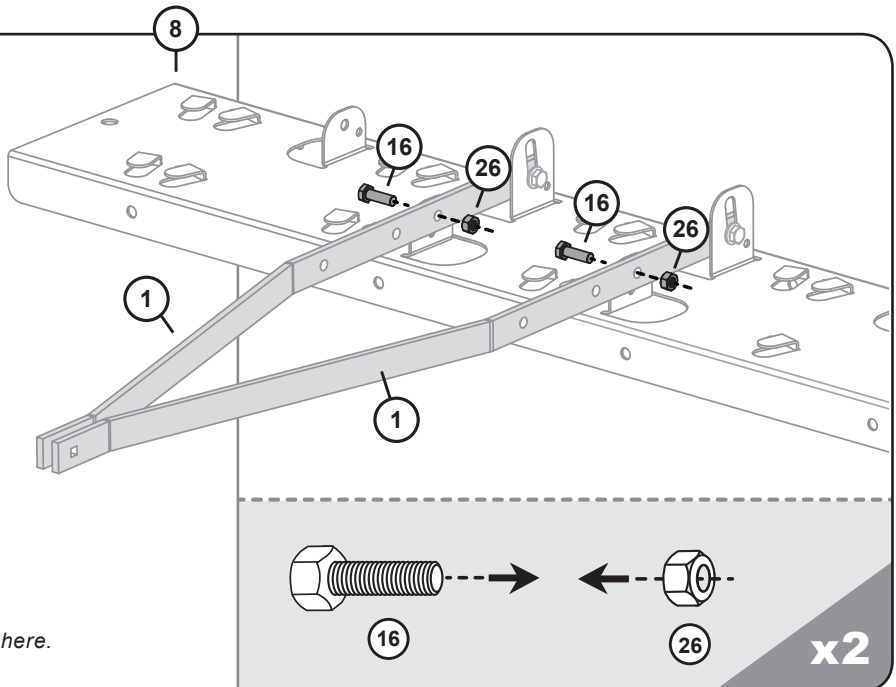
Step 2-B

Hardware Panel 1A

- Run two 5/16" x 1" Hex Head Bolts (16) through the tray extensions (8) and tow bars (1) as illustrated.

Secure both bolts with 5/16" Nylock Nuts (26).

NOTE: The tines and safety wires are not shown here.



Step 3-A

Hardware Panel 1B

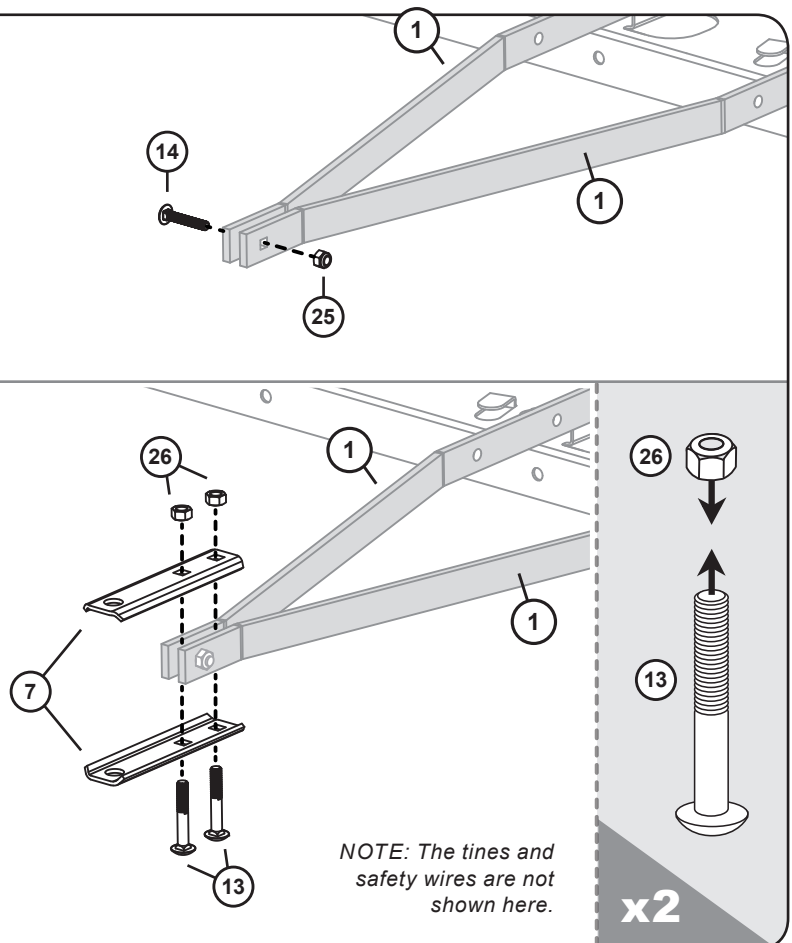
- Run the 1/4 x 1-1/2" Carriage Bolt (14) through the opening at the end of the tow bars (1).
Start to add a 1/4" Nylock Nut (25) on the end of the bolt, however, **do not tighten** (YET).

- Align the two Clevis Plates (7) with the Tow Bars (1) as illustrated.
While straddling the bolt just added, add two 5/16" x 2" Carriage Head Bolts (13) from below.

NOTE: These bolts will pass through the clevis plates (7) and between the tow bars (1).

Secure both bolts with a 5/16" Nylock Nut (26).


- Secure the bolt (14) and nut (25) from the beginning of this step.



NOTE: The tines and safety wires are not shown here.

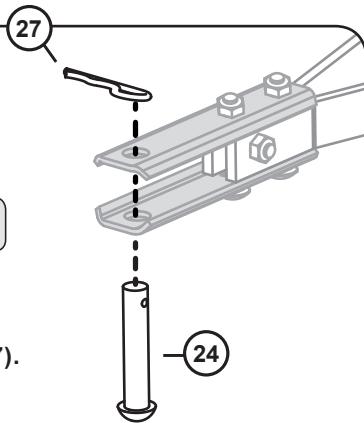
ASSEMBLY

Step 3-B

 Hardware Panel 1B

- From below, run the Hitch Pin (24) through the two Clevis Plates (7).

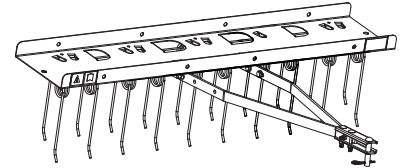
Secure with a Hairpin cotter (27).



Step 3-C


Turn the Dethatcher over

Rest Dethatcher on the Tine Tips and front of Towbars.




Step 4

NOTE: It is important for the safety and function of the Dethatcher that the towbar, tray and hardware be assembled as shown here.

 Hardware Panel 2A

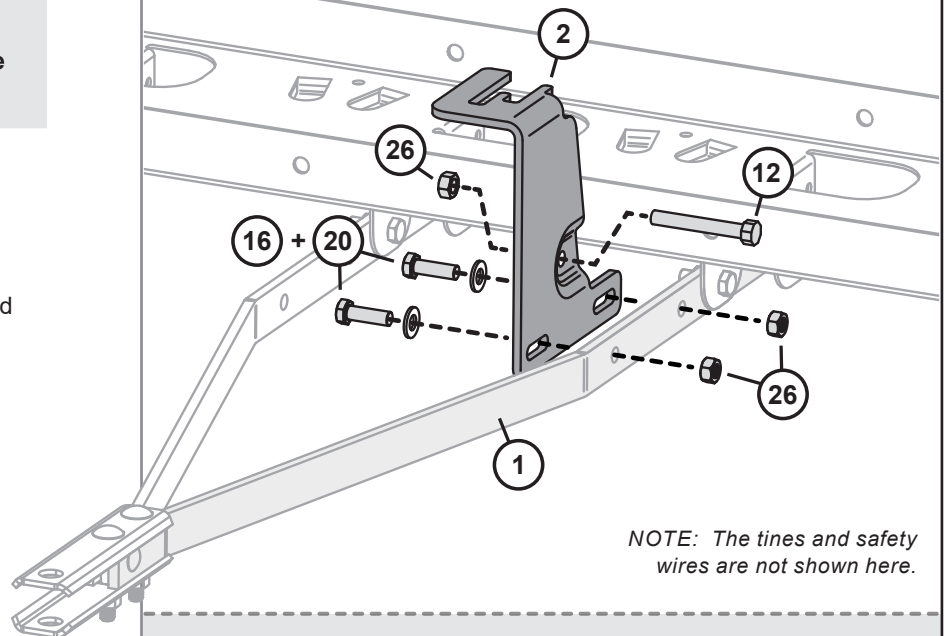
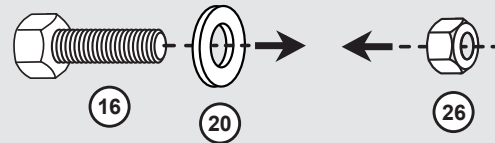
Leave the assembly hardware **LOOSE** for this step so that tine height can be adjusted later.

- Align the Lift Lock (2) to the Towbar (1).
 Add a 5/16" flat washer (20) to two 5/16" x 1" Hex Head Bolts (16).
 Run the bolts through the lift lock (2) and tow bars (1) as illustrated.
 Keep in place with two 5/16" Nylock Nuts (26).

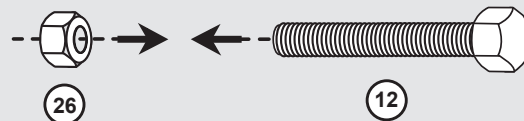
 Hardware Panel 2B

- From the outside edge, run a 5/16" x 2-1/4" Hex Head Bolt (12) through the Lift Lock (2) and start to add a 5/16" Nylock Nut (26) as illustrated.

x2



NOTE: The tines and safety wires are not shown here.



x1

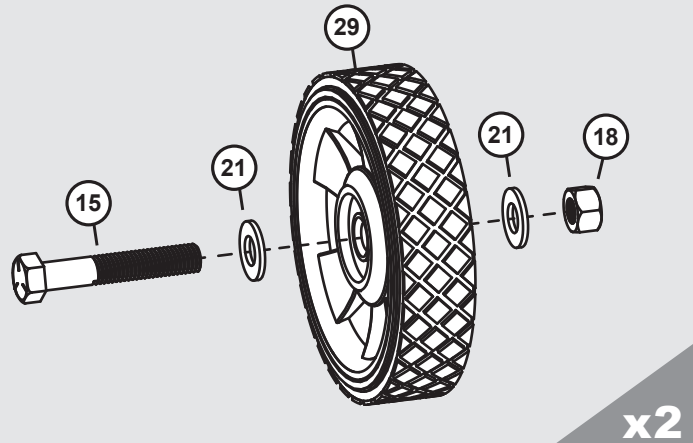
ASSEMBLY

Step 5

Hardware Panel 3A

- A. Pre-Assemble the Wheels (29) using the hardware in Panel 3A as illustrated here. Tighten the Nuts on the Wheels Completely.

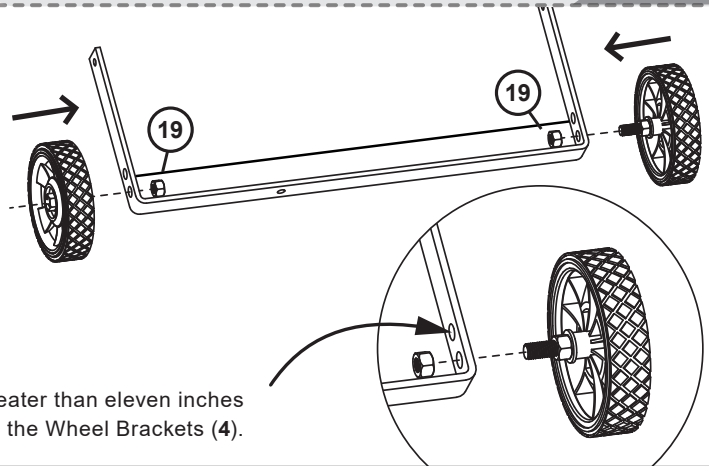
NOTE: Observe that the Nut (18) is assembled on the hub offset side of the wheel.



Hardware Panel 3B

- B. Attach the pre-assembled Wheels to the Wheel Bracket (4) using the hardware in Panel 3B.

NOTE: Use common hole locations from left to right side of Wheel Bracket.



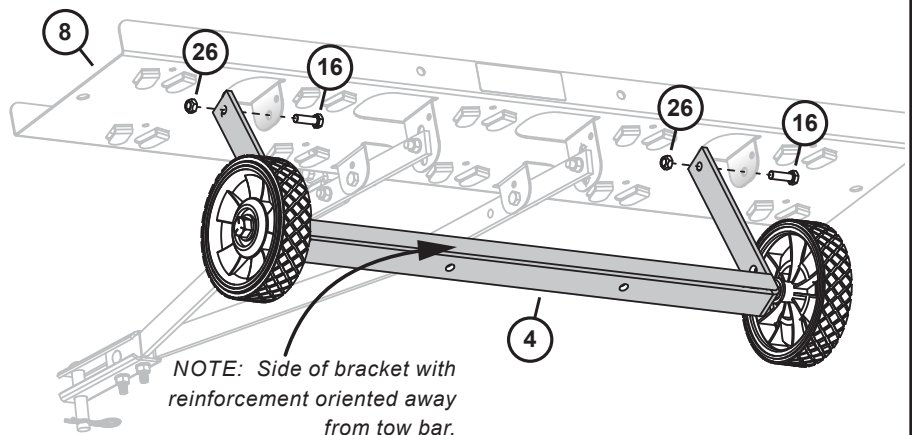
NOTE: For hitch heights greater than eleven inches use the upper hole on the Wheel Brackets (4).

Step 6

Hardware Panel 4

- Attach the Wheel Bracket (4) to the Tray (8) using the hardware in Panel 4 as illustrated here.

NOTE: Tighten the nuts assembled in this step to allow the Wheel Bracket Assembly to rotate with minimum "side to side" looseness.



NOTE: Side of bracket with reinforcement oriented away from tow bar.

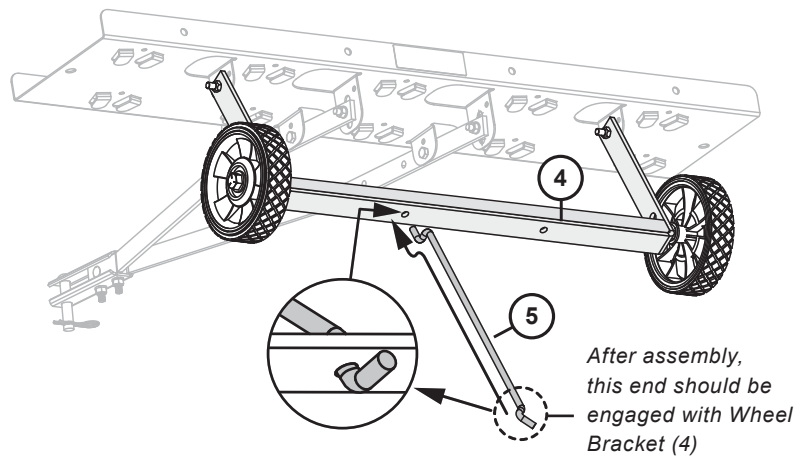
NOTE: Tines and Safety Wires not shown.

ASSEMBLY

Step 7

Starting with the 90 degree bent end, assemble the Control Rod (5) into the left hole on the Wheel Bracket (4) as illustrated here. Feed Control Rod (5) through hole until opposite end engages with Wheel Bracket (4).

NOTE: The control rod must be orientated as shown here after assembly.



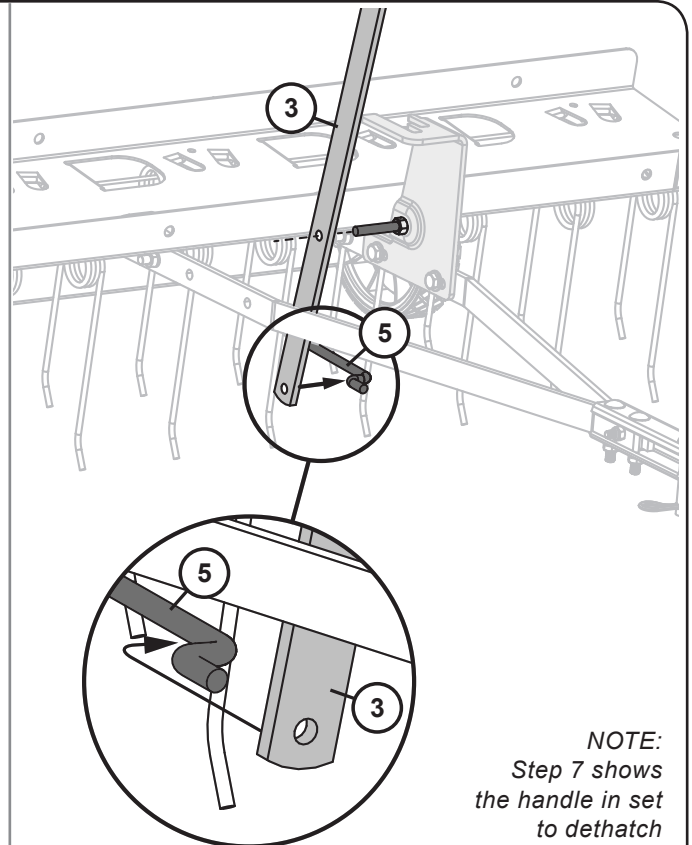
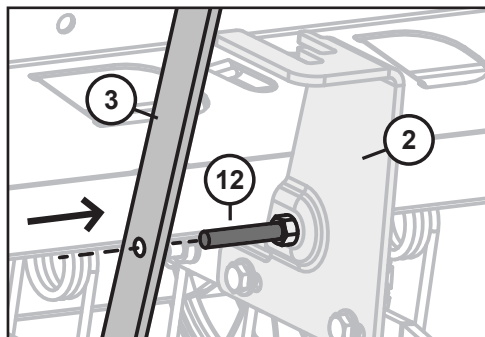
NOTE: Tines and safety wires not shown.

Step 8

A. Orient the handle (3) between Towbars. Attach the end of the Control Rod (5) with the 90 degree bends to the Handle (3) as illustrated here.

B. As seen below, slide the handle (3) on the Bolt (12). [The bolt that runs through the Lift Lock (2)]

Orient the handle so that it is engaged with one of the Tine height settings on the Lift Lock (2).



NOTE:
Step 7 shows
the handle in set
to detach
mode.



CAUTION: AVOID INJURY! Movement and Tine height adjustment of Handle, Lift Lock, and Spring can be a pinch point. Take care when working in this area.

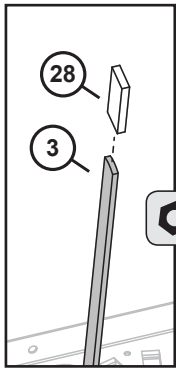
ASSEMBLY

Step 9

Hardware Panel 5

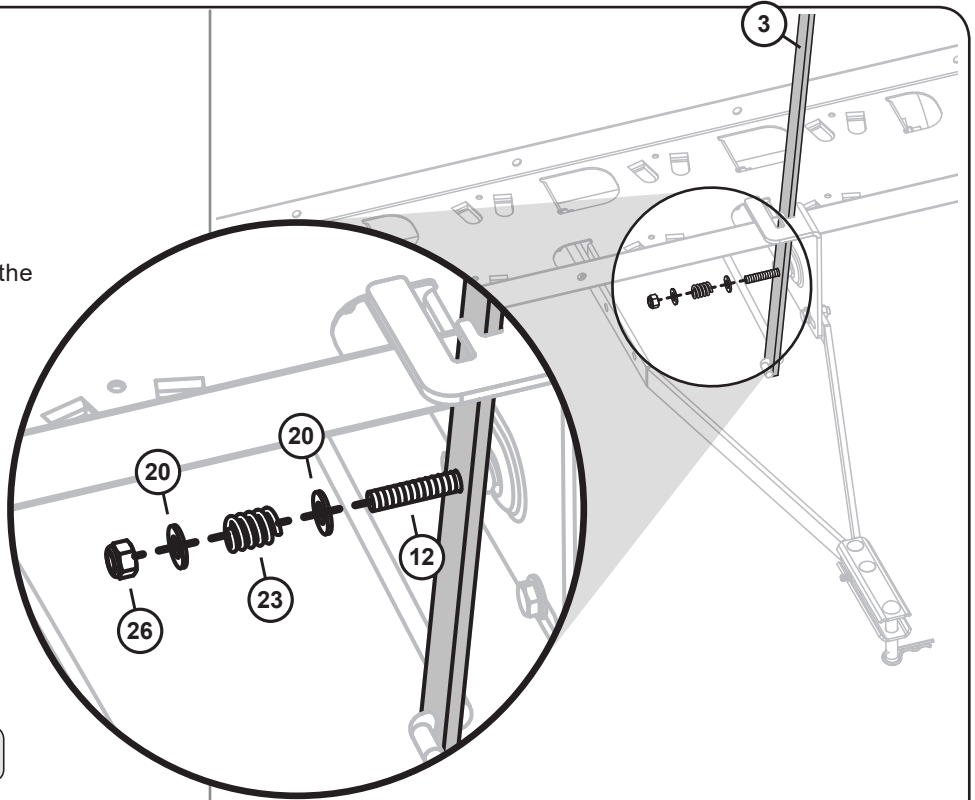
Fasten the Handle (3) in place using the hardware in Panel 5. See illustration.

NOTE: Do not over tighten 5/16" Nylock Nut (26). Do not fully compress Spring (23).



Hardware Panel 6

Place the Vinyl Grip (28) from Panel 6 on end of Handle (3).



NOTE: Tines and safety wires not shown.



CAUTION: AVOID INJURY! Dethatcher can become unstable as Towbar Angle is increased from ground. While manually moving your Dethatcher, keep Towbar level with the ground and hold Handle firmly against Lift Lock.



Assembly is Complete!

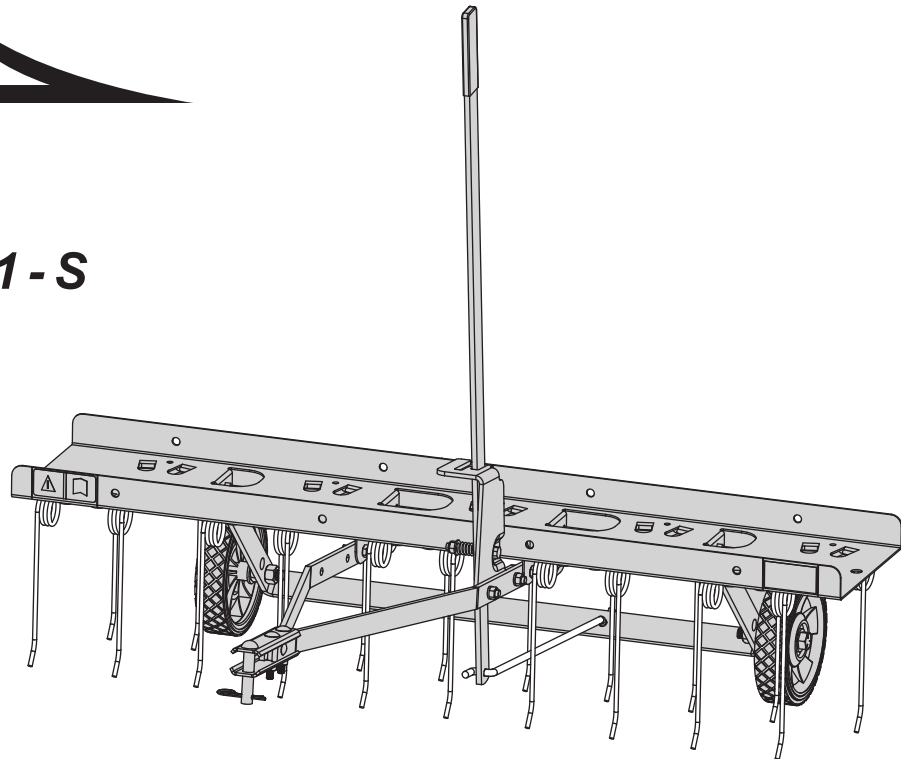
Continue reading for Operation and Maintenance info.

OPERATION, MAINTENANCE AND SERVICE SECTION



MODEL:

DT2-40BH1-S



Additional info and videos are available on our website: brinly.com

This QR code links directly to the product page.

Call Customer Service, Toll-Free: 877-728-8224



INSTALLATION QUESTIONS? MISSING PARTS? NEED REPLACEMENT PARTS?

DON'T GO BACK TO THE STORE!

Please call Customer Service Department Toll Free 877-728-8224 **OR** Email: customerservice@brinly.com

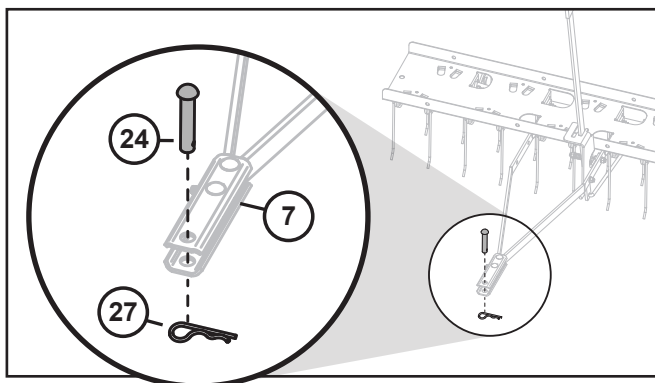
OPERATION

INSTALLING DETHATCHER



CAUTION: AVOID INJURY! Make sure feet and hands are clear of Tine Tips.

1. Park towing vehicle safely and set parking brake. (See *towing vehicle manual*).
2. Align Dethatcher clevis (7) with towing machine hitch plate.
3. Install Hitch Pin (24) through Clevis and towing machine hitch plate. Secure Hitch Pin with Hairpin Cotter (27).



REMOVING DETHATCHER



CAUTION: AVOID INJURY!

Keep body parts away from under drawbar. Do not attempt to disconnect Dethatcher from towing vehicle with weight on the tray.



CAUTION: AVOID INJURY!

Dethatcher can become unstable as Tow Bar angle is increased from ground. While moving your Dethatcher, keep Towbar Level with ground and hold Handle firmly against the Lift Lock.

1. Park towing vehicle safely and set the parking brake (see *towing vehicle operator's manual*).
2. Place Dethatcher in Transport Setting.
3. Unload weight from Dethatcher tray.
4. Remove Hairpin Cotter (27) and Hitch Pin (24) from the Clevis (7).
5. While keeping Tow Bar level with the ground and holding the Handle in Transport Setting, push Dethatcher away from the towing vehicle.
6. Install Hitch Pin (24) and Hairpin Cotter (27) for storage.

USAGE



CAUTION: AVOID INJURY! Avoid damage to tines. Use Transport Setting when towing the Dethatcher across concrete or asphalt driveways and walkways.

Safety Glasses should be worn when using the Dethatcher.

Excessive towed load can cause loss of control on slopes. Stopping distance increases with speed and weight of towed load.

Total towed weight must not exceed combined weight of towing vehicle, ballast and operator.

DETHATCHER WEIGHT

The following maximum loaded weight capacity is the weight of the Dethatcher plus the maximum weight loaded into the Dethatcher Tray:

MODEL	WEIGHT
DT2-40BH1-S	35 lbs. (empty)
Maximum Tray Weight	70 lbs

Maximum Towed Weight	105 lbs

OPERATION



CAUTION: AVOID INJURY! When changing Dethatcher Tine height settings from the towing vehicle seat: Park safely and set the parking brake (see towing vehicle operator's manual), shift to neutral and disengage Blade.

ADJUSTMENT OF TINE HEIGHT

This Dethatcher operates with hitch heights between 7 and 14 inches:

Position 1

TRANSPORT SETTING

Raises the Tines so that the Dethatcher can be towed without the Tines touching the ground

Position 2

DETHATCH SETTING

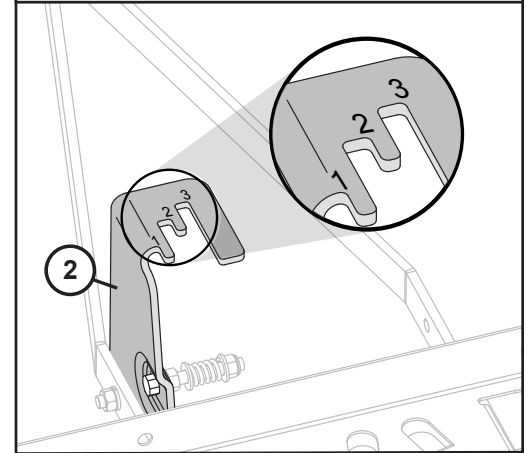
Used for general dethatching

Position 3

SCARIFY SETTING

Allows tines to drag along the ground to scarify a seed bed.

The tine height settings on the Lift Lock (2) are as illustrated here.



CAUTION: AVOID INJURY! Make sure feet and hands are clear of Tine Tips. Never operate Dethatcher without safety wires properly installed.

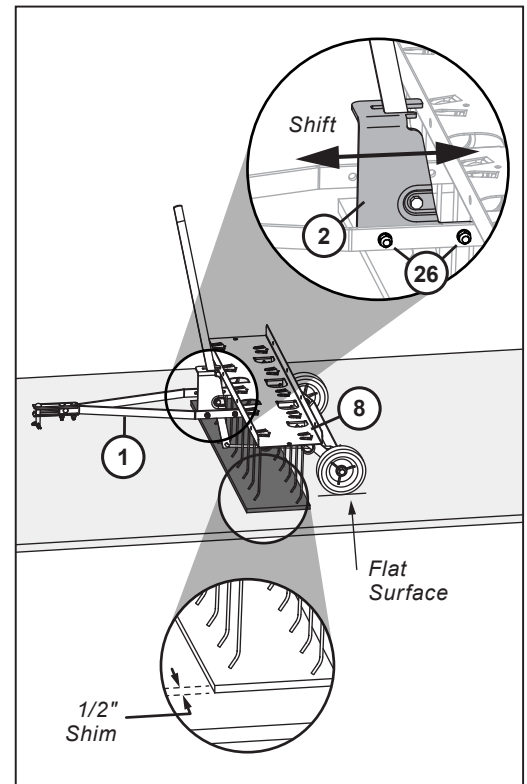
1. Select a smooth ground surface such as a driveway, sidewalk, garage floor, etc.
2. Park towing vehicle safely and set the parking brake (see towing vehicle operator's manual).
3. Install Dethatcher to towing vehicle hitch plate as previously described in the Installing Your Dethatcher section.
4. Put Handle in Dethatch Setting on Lift Lock (2) (center notch marked 2).
5. Place Tine tips on a 1/2" shim. When both rows of Tines are touching the shim, tighten the four bolts that fasten the Tow Bars (1) to the Tray (8).

NOTE: Your product packaging can be used as the 1/2" shim. Two thicknesses of cardboard equals approximately 1/2". Take care not to puncture the cardboard with the Tine tips while making your adjustments.

6. Shift the Lift Lock (2) along its slots to make sure the wheels rest firmly on the ground surface. Ensure that the tines remain on the 1/2" shim and that the Handle remains in the Dethatch Setting. Tighten the two nuts (26) that fasten the Lift Lock (2) to the Tow Bar (1).

7. Remove 1/2" shim and check Tine adjustment. Push Tines tips rearward. Tine tips should barely touch ground surface. If not, repeat the adjustment.

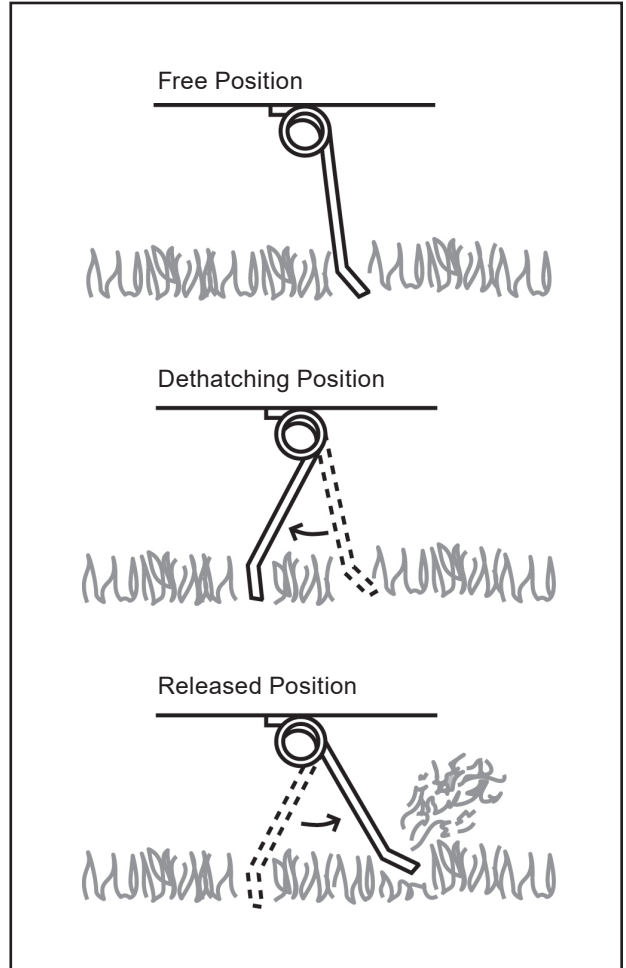
NOTE: If weight is used in Tray, recheck Tine height adjustment as stated in Step 8. Repeat Tine height adjustment as necessary with added weight.



OPERATION

GRASS HEIGHT AND TINE ACTION

- Grass should be less than 3" tall for proper Tine action in Dethatch Setting.
- When in use, Tines on the Dethatcher should deflect back and 'flip' the thatch forward as shown.
- If the Tines seem to drag without flipping forward, the Tray is too low and should be raised.
- If the Tines stay in the free position, the tray is too high and should be lowered.
- Make adjustments as necessary, up or down, by no more than $\frac{1}{4}$ " each time, until proper results are achieved. Similar adjustments may be possible by shifting the Lift Lock forward or rearward.
- In normal operating conditions, adding weight to the Tray for dethatching and scarifying operations should not be necessary.

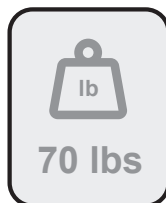


IF THE DETHATCHER APPEARS TO BE 'JUMPING' OR 'WALKING' DURING OPERATION:

1. Confirm the Handle is in the desired setting
2. Confirm Tine height is adjusted properly.
3. Add weight to the tray as needed (70 lbs maximum).
NOTE: Weight should be added to the tray only when Dethatcher is attached to the towing vehicle.
4. Weight should be secured by rope, straps, or other suitable means to contain the weight in the tray.
5. Confirm Tine height is adjusted properly after weight is added.

WEIGHT CAPACITY

MAXIMUM capacity of the dethatcher tray is 70 lbs (31.8kg).



OPERATING SPEED

The **BEST** operating speed is 3 mph or less.

Maximum operating speed is 5 mph.



OPERATION / MAINTENANCE

FREQUENCY OF USE

- You can dethatch your lawn in summer, fall and when the lawn is dormant in winter. Dethatching is not recommended during the start of active growth.
- An appropriate time to dethatch a cool-season lawn is early fall or early spring.
- An appropriate time to dethatch a warm-season lawn is early summer.
- A moderate to dry lawn condition is recommended when dethatching.
- It may take several passes to entirely dethatch your lawn. Make each pass in the same direction to avoid damage to grass roots.
- The process of dethatching can leave your lawn unsightly. Be patient. With proper fertilization and watering, your lawn will grow strong and full.
- The Dethatcher may be used in an independent operation or may be used when mowing your lawn.

STORAGE



CAUTION: AVOID INJURY!
THE DETHATCHER TINES ARE SHARP.
Care should be taken when choosing a storage location for this product.

- Store Dethatcher in low traffic aisle ways.
- Store Dethatcher with Tine points facing the wall or ground.
- Store Dethatcher on the ground or low to the ground.
- Do not store Dethatcher hanging from the wall, ceiling or with Tine points facing outward.
- Drawbar is a trip hazard. Avoid leaving Drawbar in aisle ways and walking paths.

MAINTENANCE

The key to years of trouble-free service is to keep your Dethatcher clean and dry.

- After the first 30 minutes of use, check all fasteners for tightness.
- Thereafter, periodically check all fasteners for tightness.



CAUTION: AVOID INJURY! Do not operate Dethatcher without Safety Wires installed. Failure to keep Safety Wires installed can result in personal injury if a Tine should disengage from the Dethatcher Tray.

Tines are manufactured and tested for high quality and durability. However, should a Tine need replacement, contact the Brinly-Hardy customer service department to purchase replacement Tines and Safety Wires.

TINES CAN BE SERVICED AS FOLLOWS:

1. Straighten bend at the end of the Safety Wire and remove from Tine row.
2. Using a screwdriver or similar tool, pry the tabs open that are holding the Tine in need of service. Tabs can also be opened by tapping them down from the top of the Dethatcher Tray.
3. Remove Tine and replace with new Tine.
4. While holding the new Tine in position, bend the tabs back into the closed position.
5. Reinstall the Safety Wire.

- Ensure to thread the Safety Wire through each Tine loop and holes in Tray tabs.
- Re-Bend end of the Safety Wire to hold Tine row. Ensure both bent ends of the Safety Wire are bent around the outer most Tine loop.
- Apply a light coat of oil on tines after use to prevent rust.
- For rust appearing on painted surfaces, sand lightly and paint affected area with enamel.
- Periodically remove debris that builds up between Tines.
- Check all moving parts for free movement and if necessary lubricate with oil.



MANUFACTURER'S LIMITED WARRANTY
DETHATCHERS

The limited warranty set forth below is given by Brinly-Hardy Company with respect to new merchandise purchased and used in the United States (its possessions and territories) and Canada.

Brinly-Hardy Company warrants the products listed below against defects in material and workmanship, and will at its option, repair or replace, free of charge, any part found to be defective in materials or workmanship. This limited warranty shall only apply if this product has been assembled, operated, and maintained in accordance with the Operator's manual furnished with the product, and has not been subject to misuse, abuse, commercial use, neglect, accident, improper maintenance, alteration, vandalism, theft, fire, water, or damage because of other peril or natural disaster.

Parts found to be defective within the warranty period will be replaced at our expense. Our obligation under this warranty is expressly limited to the replacement or repair, at our option, of parts found to be defective in material and workmanship.

HOW TO OBTAIN SERVICE: Warranty parts replacements are available, only with proof of purchase, through our Customer Service Department. Call 877-728-8224.

This limited warranty does not provide coverage in the following cases:

- a. Routine maintenance items such as lubricants & filters.
- b. Normal deterioration of exterior finish due to use or exposure.
- c. Transportation and/or labor charges.
- d. The warranty does not include commercial and/or rental use.

No implied warranty, including any implied warranty of merchantability of fitness for a particular purpose, applies after the applicable period of express written warranty above as to the part as identified below. No other express warranty whether written or oral, except as mentioned above, given by any person or entity, including a dealer or retailer, with respect to any product, shall bind Brinly-Hardy Co. During the period of the warranty, the exclusive remedy is repair or replacement of the product as set forth above.

The provisions as set forth in this warranty provide the sole and exclusive remedy arising from the sale. Brinly-Hardy Co. shall not be liable for incidental or consequential loss or damage including, without limitation, expenses incurred for substitute or replacement lawn care services or for rental expenses to temporarily replace a warranted product.

Some states do not allow the exclusion or limitation of incidental or consequential damages, or limitations on how long an implied warranty lasts, so the above exclusions or limitations may not apply to you.

During the warranty period, the exclusive remedy is replacement of the part. In no event shall recovery of any kind be greater than the amount of the purchase price of the product sold. Alteration of safety features of the product shall void this warranty. You assume the risk and liability for loss, damage, or injury to you and your property and/or to others and their property arising out of the misuse or inability

to use this product. *NOTE: This limited warranty shall not extend to anyone other than the original purchaser or to the person for whom it was purchased as a gift.*

This limited warranty lasts as long you own your product purchased from an authorized seller. **Coverage terminates once you sell or otherwise transfer the product.**

This limited warranty does not cover any purchaser other than the original purchaser of the product, nor does it cover any product purchased from an unauthorized third-party. If you are not the original purchaser of this product, your product is not covered by our limited warranty and you take the product "AS IS" and "with all faults."

We may require proof of purchase from you demonstrating that you are the original purchaser of the product, purchased the product from an authorized dealer, and are eligible to make a valid claim under this limited warranty.

How state law relates to this warranty: This limited warranty gives you specific legal rights, and you may also have other rights which vary from state to state.

IMPORTANT:

The Warranty period stated below begins with the proof of purchase. Without the proof of purchase, the Warranty period begins from the date of manufacture determined by the serial number manufacturing date. All parts replaced under warranty will be considered as part of the original product, and any warranty on the replaced parts will expire coincident with the original product warranty.

WARRANTY PERIOD:

See applicable parts listed below.

Standard / Residential Use:

Steel Frame & Steel Parts	2 years
Tines	90 days
Tires / Wheels	90 days
Drive: Chain & Sprocket	90 days

All other normal wear parts or component failures will be covered on this product for a period of 90 days.

If this equipment is being used in a commercial application and / or for multiple properties, the warranty is 90 days after purchase for all parts.