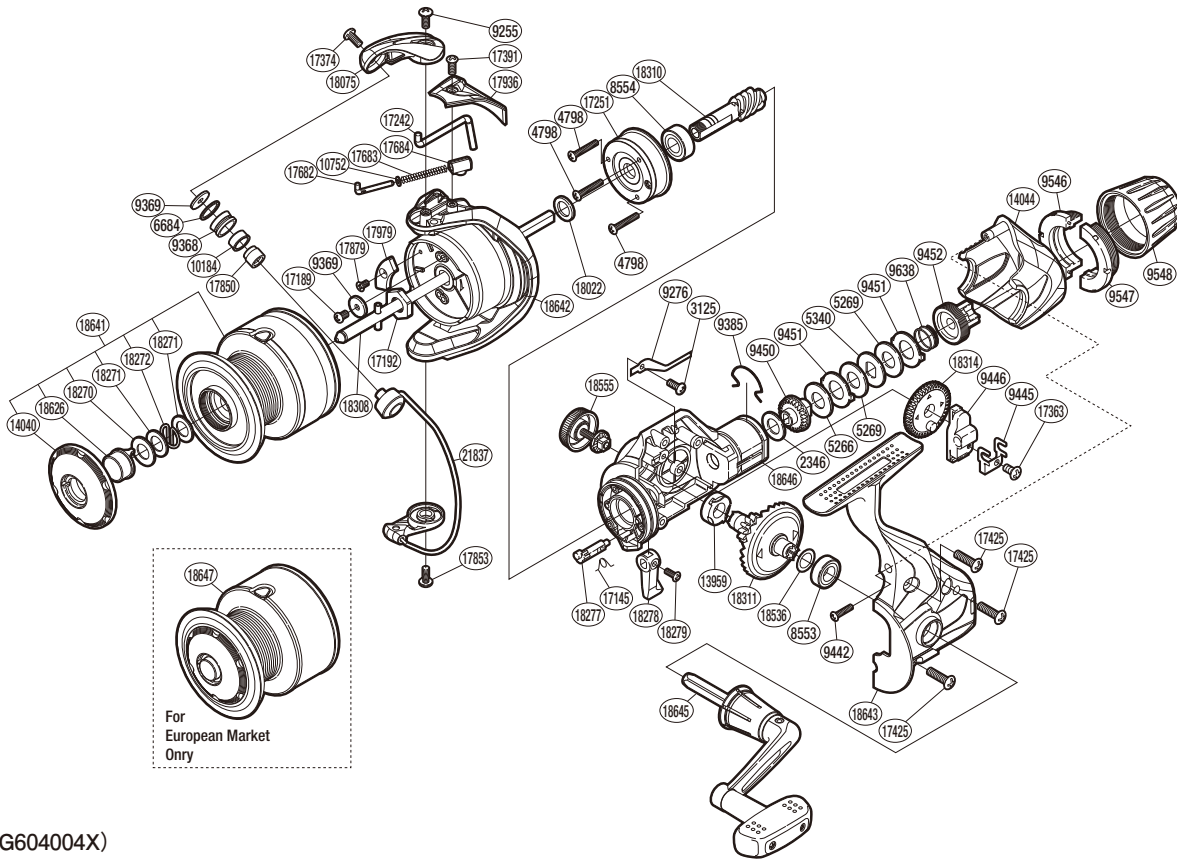


SHIMANO

CATANA

CAT-4000RC



(51SG604004X)

#	Part No.	Description	#	Part No.	Description	#	Part No.	Description
2346	10KN2	Drag Washer	9638	10NBF	Drag Coil Spring	18022	10JVH	Washer
3125	103DB	Screw	10184	10PFH	Line Roller Bushing	18075	101ZF	Bail Arm
4798	103C6	Screw	10752	10TYE	Bail Spring Guide A Support	18270	10AX1	Washer
5266	1093N	Drag Washer	13959	10J6N	Drive Gear Bushing	18271	10AX4	Washer
5269	1093P	Drag Washer	14040	10QQ9	Push Button Collar	18272	10AX2	Locking Spring
5340	10BW5	Key Washer	14044	10NE3	Rear Protector	18277	10SS7	Anti-reverse Cam
6684	10KFD	Line Roller Spacer	17145	105B4	Anti-reverse Cam Spring	18278	10SSA	Anti-reverse Lever
8553	107AT	Ball Bearing	17189	10PMC	Screw	18279	10L1V	Screw
8554	107FE	Ball Bearing	17192	1067Y	Rotor Nut	18308	10ECD	Main Shaft
9255	10LHX	Screw	17242	106P4	Bail Trip Lever	18310	10TJE	Pinion Gear
9276	10P0H	Drag Click	17251	10QPN	Roller Clutch Assembly	18311	10TJJ	Drive Gear
9368	10JLF	Line Roller	17363	10LCQ	Screw	18314	10EAZ	Oscillating Gear
9369	10PFP	Washer	17374	10K90	Screw	18536	1003B	Washer
9385	10P3W	Hold Click Spring	17391	10LFK	Screw	18555	101VG	Handle Screw Cap
9442	10L1X	Screw	17425	10L9W	Screw	18626	10JRS	Push Button
9445	10JZ9	Oscillating Slider Retainer	17682	1061L	Bail Spring Guide A	18641	10T0M	Spool Assembly
9446	104KC	Oscillating Slider	17683	105R6	Bail Spring	18642	10T0D	Rotor
9450	10MXQ	Drag Shaft	17684	107AB	Bail Spring Seat	18643	10T0E	Side Cover
9451	10N7Y	Eared Washer	17850	1020X	Line Roller Collar	18645	10248	Handle Assembly
9452	10MV9	Pressure Screw	17853	10LFH	Screw	18646	10T0C	Body
9546	107U0	Drag Programmer B1	17879	10LA3	Screw	21837	101HK	Bail Assembly
9547	10NCA	Drag Programmer B2	17936	101T5	Bail Spring Cover			
9548	10MVQ	Drag Programmer A	17979	106GA	Counter Weight A	18647	10T0F	Spare Spool Assembly

Please note that the number of adjusting washers may not be the same as shown in the exploded views.
(Adjustment will vary with each individual product.)

(230823)_003